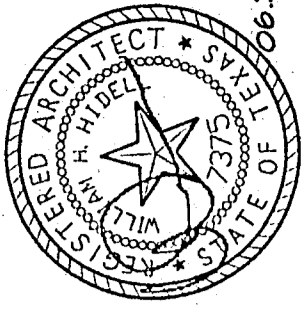


Greenhill School
DEASON FAMILY
TENNIS CENTER

HIDELL

ASSOCIATES
ARCHITECTS

3033 KELWAY DRIVE, SUITE 110
CORPUS CHRISTI, TEXAS 78408-2505
(979) 448-5150
E-MAIL: HIDELL@HIDELL.COM



3033 KELWAY DRIVE, SUITE 110
CORPUS CHRISTI, TEXAS 78408-2505
(979) 448-5150
E-MAIL: HIDELL@HIDELL.COM

STRUCTURAL ENGINEER
5445 LO STORO, SUITE 300
DALLAS, TX 75231
(972) 236-3031
Fax: (972) 236-3354

CIVIL ENGINEER
PACHECO-KOCH CONSULTING ENGINEERS
9401 LBJ FREEWAY, SUITE 300
DALLAS, TX 75243
(972) 236-3031
Fax: (972) 236-3354

M/S ENGINEER
WASHINGTON ENGINEERING, INC.
2409 EAST LOOP EAST, SUITE 118
HOUSTON, TX 77054
(713) 588-0000
Fax: (713) 588-0248

IRRIGATION ENGINEER
MRTI - TECH
12850 SCHROEDER
DALLAS, TX 75243
(972) 236-3031
Fax: (972) 236-3354

Title

SITE PLAN AND DETAILS

Revisions

Job No. 992011

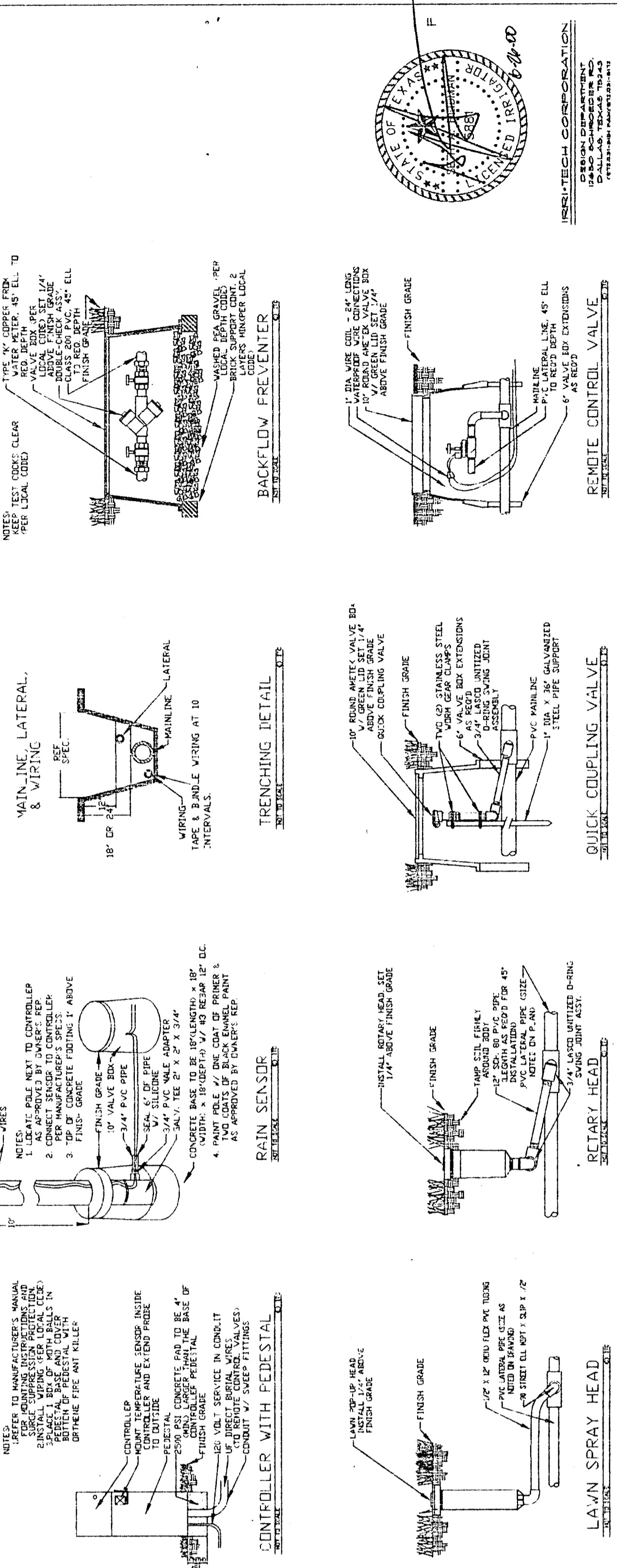
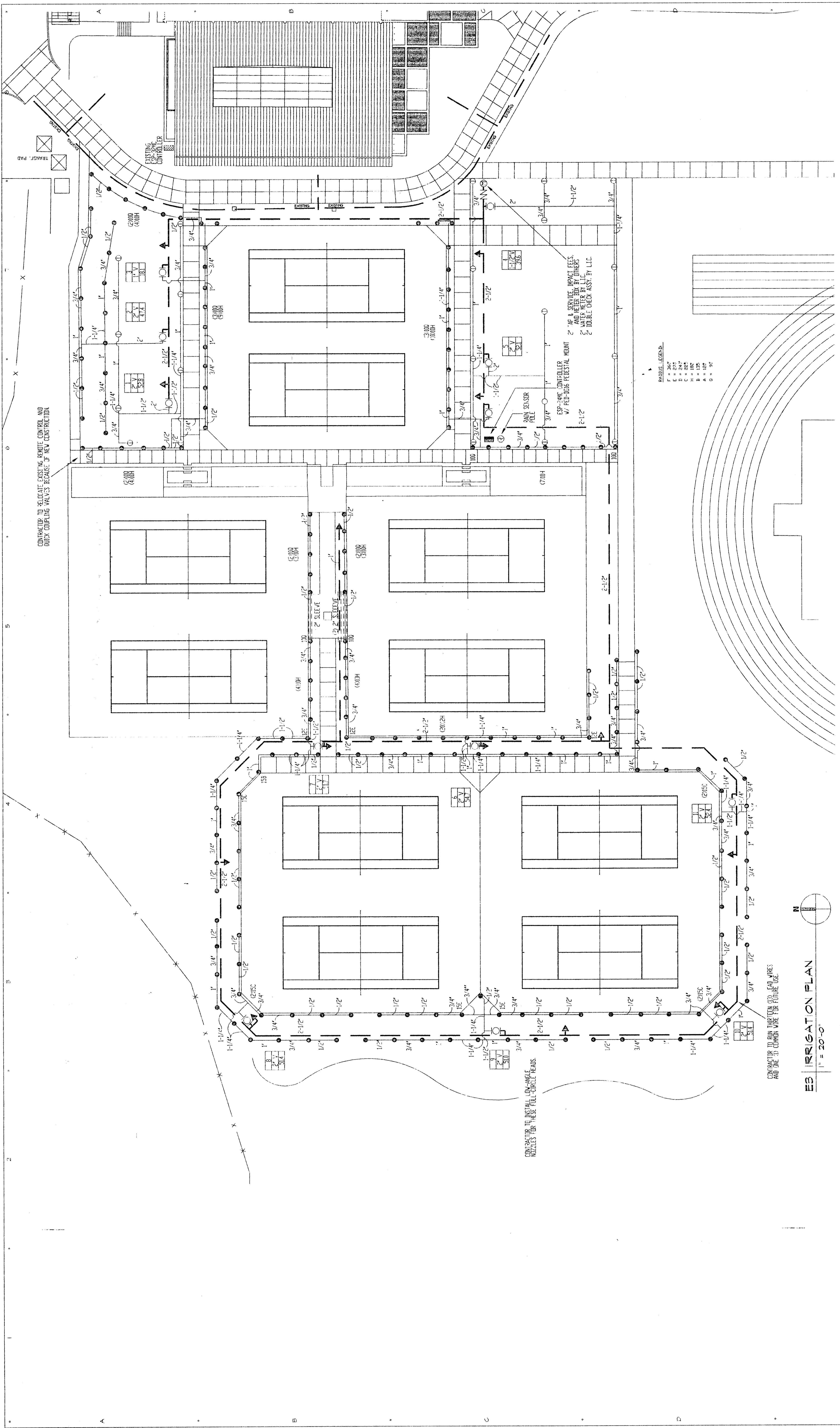
Issue Date: June 26 2000

Drawn By: SAH SAH

Checked By: SAH SAH

Sheet No.

W100



- NOTES:
- 3/4" VULC LEAD AND COPPER VALVE WIRING SHALL BE A MINIMUM OF 1/4" IN SINGLE CONDUCTOR. REFER TO MANUFACTURER'S RECOMMENDATIONS FOR PROPER WIRE SIZE. WIRE SPLICES SHALL BE FERM-A-SEAL AND WATERPROOF.
 - CORROSION RESISTANT MATERIAL SHALL BE USED FOR ALL VALVES AND FITTINGS. ALL PLANT MATERIAL WILL BE WATERED IN ACCORDANCE WITH THE INTENT OF THE PLANS AND SPECIFICATIONS.
 - LATERAL PIPING SHALL HAVE A MINIMUM OF 1/2" OF COVER. MAINLINE AND PIPING UNDER PAVING SHALL HAVE A MINIMUM OF 18" OF COVER.
 - PIPING AND VALVES IN PAVING SHOWN FOR CLARITY. INSTALL IN ADJACENT FLANTING BED OR LAWN AREA.
 - CONNECT LAWN AND HIGH-POP SPRAY HEADS TO LATERAL PIPING WITH 1/2" FLEXIBLE PVC AND 1/2" SCH-40 PVC FITTINGS AS REQUIRED. PER DETAIL SHOWN USE WELDON 4" 195 SOLVENT AND WELDON PRIMER ON THESE CONNECTIONS.
 - CONNECT ROTARY HEADS TO LATERAL PIPE WITH LAGO "UNITEZIP" DRING SVING JOINTS PER DETAIL SHOWN. WELDON 4" 195 SOLVENT AND WELDON PRIMER ON THESE CONNECTIONS.
 - INSTALL REMOTE CONTROL VALVES IN 10" (10") AMETEK VALVE BOXES PER DETAIL SHOWN. PERFORM ELECTRICAL WIRING IN ACCORDANCE WITH LOCAL BUILDING CODE POWER (GPOV) SHALL BE LOCATED IN A JUNCTION BOX WITHIN FIVE (5) FEET "J" OF CONTROLLER LOCATION BY OTHER TRADES.
 - SLEEVES SHALL BE CLASS 200 PVC. SIZED AS NOTED ON PLANS AND INSTALLED BY OTHER TRADES.
 - CONNECT COMMON WIRE FROM CONTROLLER TO REMOTE SENSORS IN SERIES PRIOR TO CONNECTING TO REMOTE CONTROL VALVES.
 - TEST SYSTEM PRIOR TO START OF CONSTRUCTION. VERIFY STATIC PRESSURE IS LESS THAN 600 PSI. DO NOT START WORK UNTIL NOTIFIED TO PROCEED BY OWNER. DESIGN PRESSURE IS 55.0 PSI.
 - CONTRACTOR TO SALVAGE ANY EXISTING IRRIGATION AND RETURN TO GREENHILL SCHOOL MAINTENANCE.
 - CONTRACTOR TO VERIFY ANY DAMAGE TO THE EXISTING IRRIGATION IS REPAIRED TO THE CRASER WATER OF SYSTEM IS IN 100% WORKING ORDER. ALL MATERIAL AND LABOR NECESSARY TO ENSURE EXISTING IRRIGATION SYSTEM IS IN 100% WORKING ORDER.
- IRRIGATION LEGEND:
- | SYMBOL | DESCRIPTION | MANUFACTURER | MODEL NO. |
|--------|----------------------|----------------|---|
| ○ | LAWN SPRAY HEAD | HUNTER | 1834 1/2 15F 15H OR 150 UNLESS NOTED OTHERWISE |
| ○ | PARTIAL-CIRCLE VALVE | HUNTER | POP V/ #10 NOZZLE |
| ○ | FULL-CIRCLE VALVE | HUNTER | POP V/ #12 NOZZLE |
| ▲ | QUICK COUPLING VALVE | RAINBIRD | 3FC |
| ○ | REMOTE CONTROL VALVE | RAINBIRD | PEB SERIES. REFER TO PLAN FOR SIZE |
| □ | CONTROLLER | RAINBIRD | ESP-SAVE PEDESTAL MOUNT SERIES W/ RAINSTAT AND PENN 4-15AN-1 TEMP. SENSOR |
| — | MAINLINE PIPING | REFER TO SPEC. | CLASS 200 PVC |
| — | LATERAL PIPING | REFER TO SPEC. | 3/4" & LARGER - CLASS 200 PVC
1/2" - CLASS 315 PVC |
| — | BACKFLOW PREVENTER | FEBCO | WESBY |
| — | WATER METER | REFER TO SPEC. | PER LOCAL BUILDING CODE |
| — | STATION NUMBER | | |
| — | VALVE SIZE | | |
| — | GPM (APPROX) | | |

EB IRRIGATION PLAN
1" = 30'-0"