

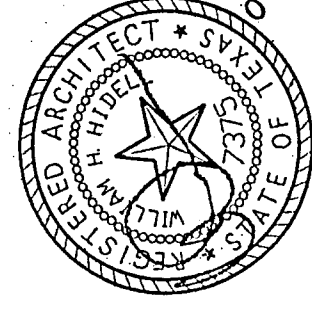


Greenhill School
DEASON FAMILY
TENNIS CENTER

HIDELL

A S S O C I A T E S
A R C H I T E C T S

3033 PELLIWAY DRIVE, SUITE 120
CARROLLTON, TEXAS 75006-2505
(972) 481-1111
E-MAIL: hidell@hidell.com



6063600

STRUCTURAL ENGINEER
AR, INC.
5445 Lo Sierra, Suite 300
Dallas, TX 75237
(972) 235-3031

CIVIL ENGINEER
PACHECO KOCH CONSULTING ENGINEERS
8401 LEU Freeway, Suite 300
Dallas, TX 75243
(972) 235-3031

MEP ENGINEER
BASKARAPATH ENGINEERING, INC.
2409 East Loop East, Suite 1116
Dallas, TX 75223
(817) 590-0080

IRRIGATION ENGINEER
IRRI - TECH
12650 Schroeder
Dallas, TX 75243
(972) 231-5151

Handwritten signature

TITLE

SECTIONS AND DETAILS

Revisions

Job No. 19011

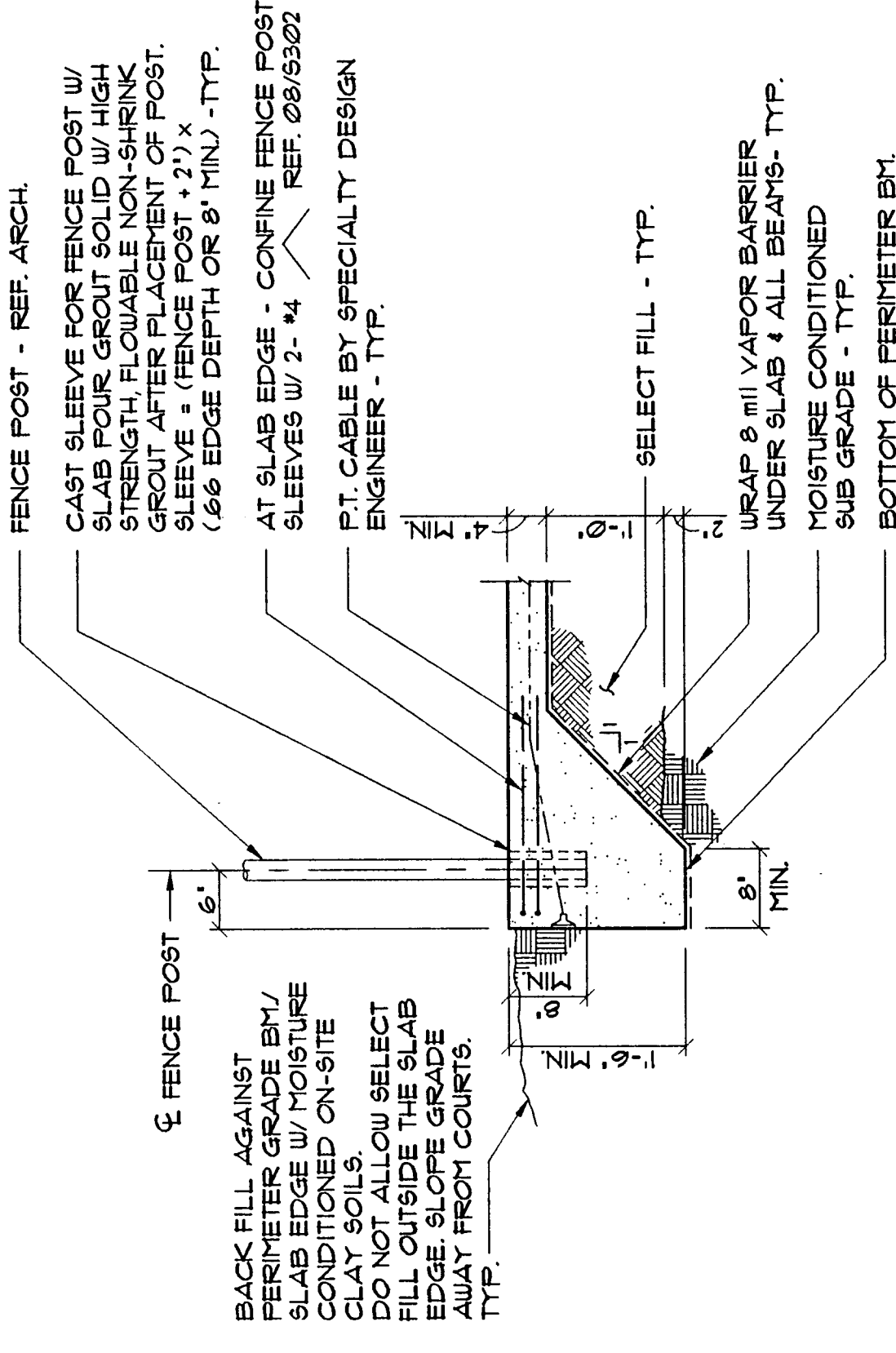
Issue Date: JUNE 26, 2000

Drawn By: TDI, DJ

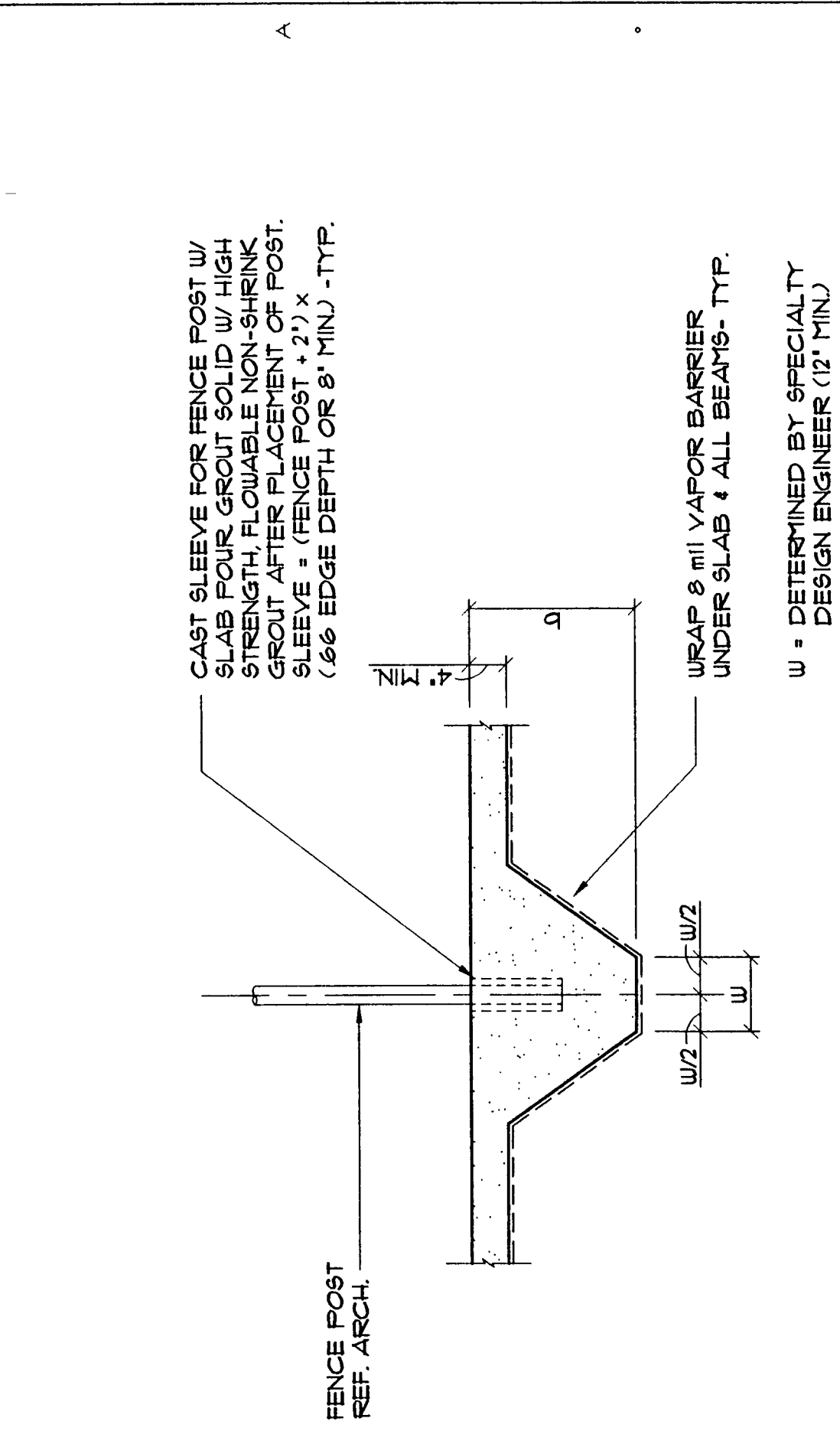
Checked By: DC, PL

Sheet No.

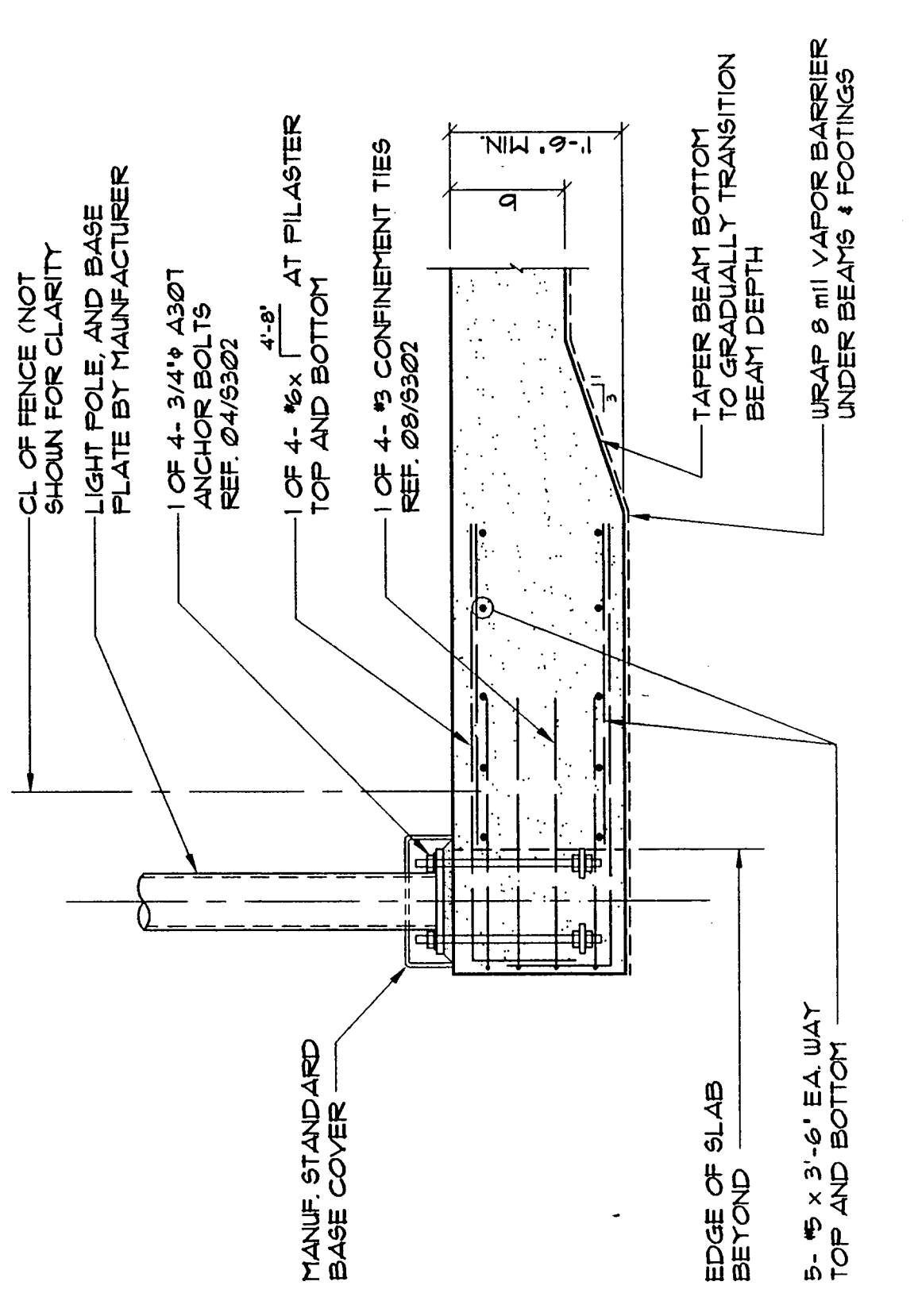
S302



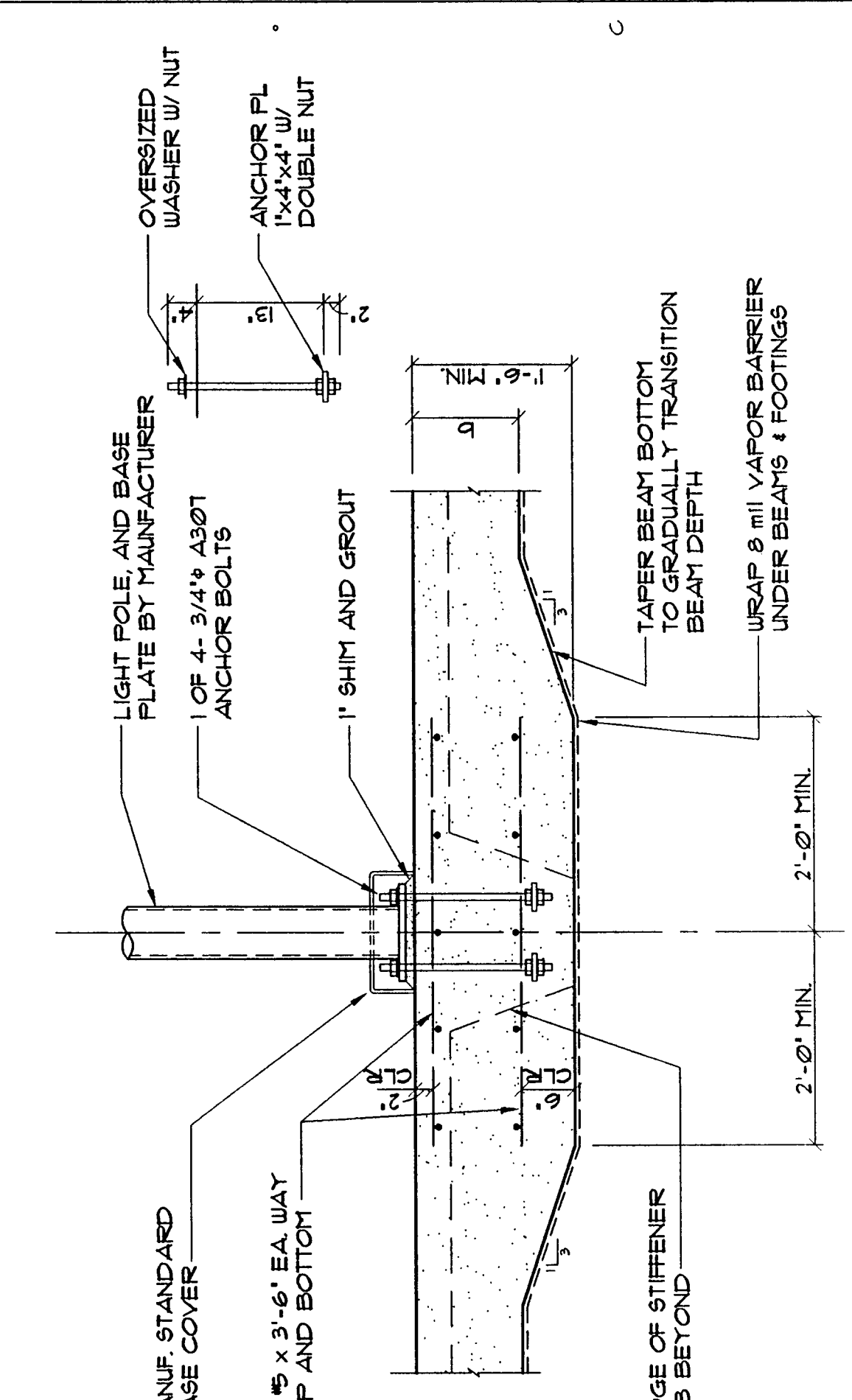
01 TYP SLAB EDGE



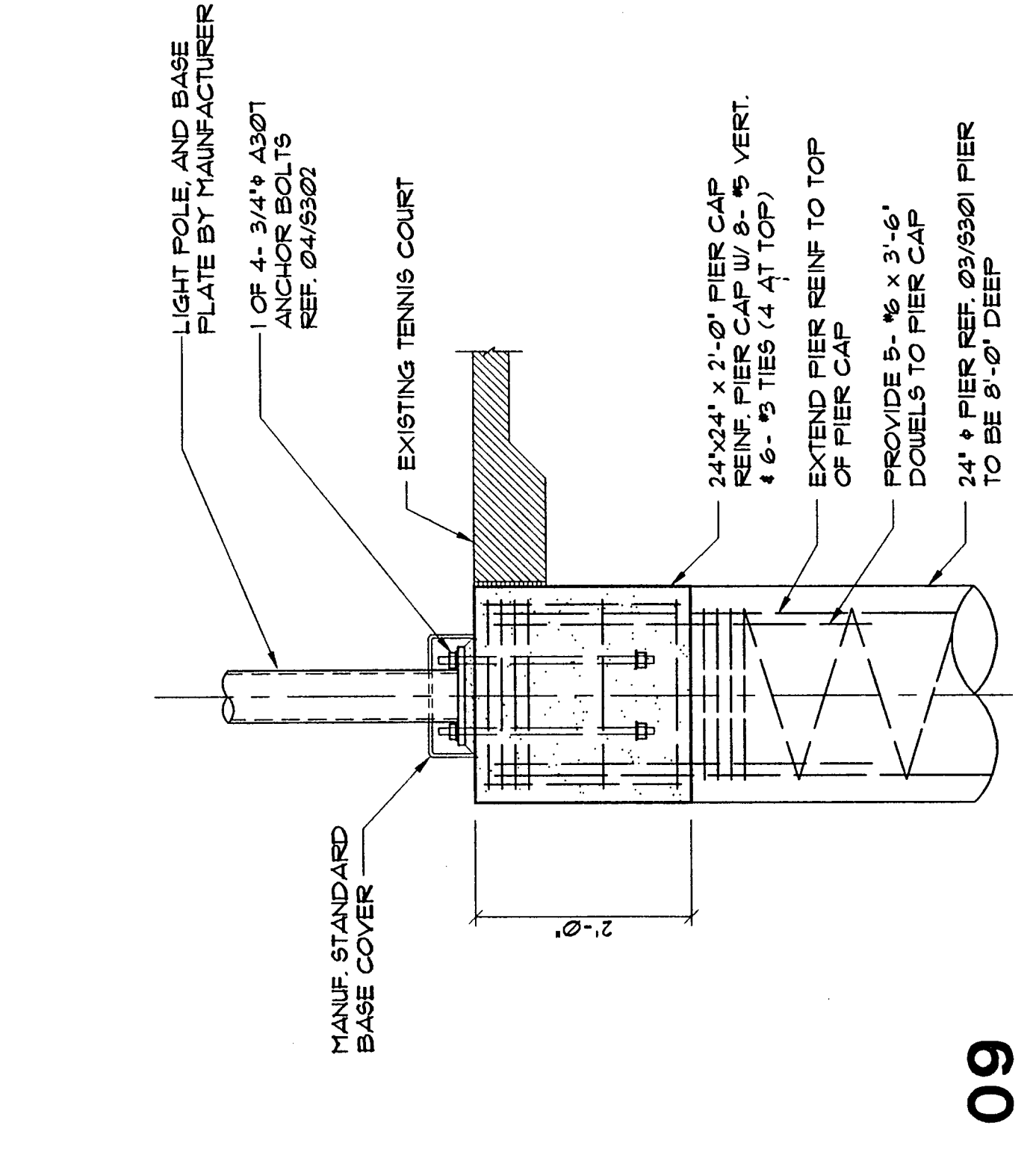
02 INTERIOR STIFFENERS RIB



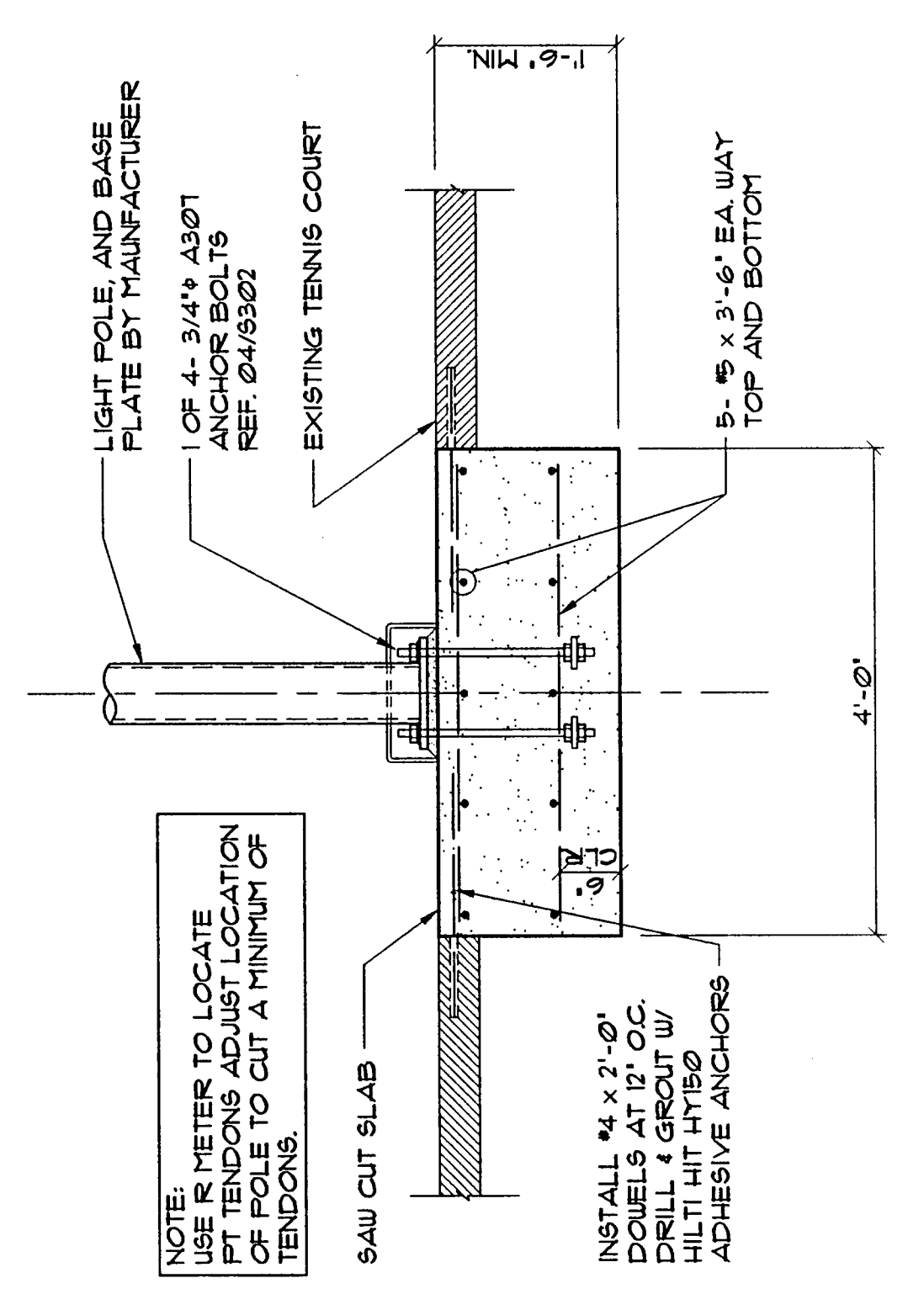
03 PERIMETER LIGHT POLE BASE DETAIL



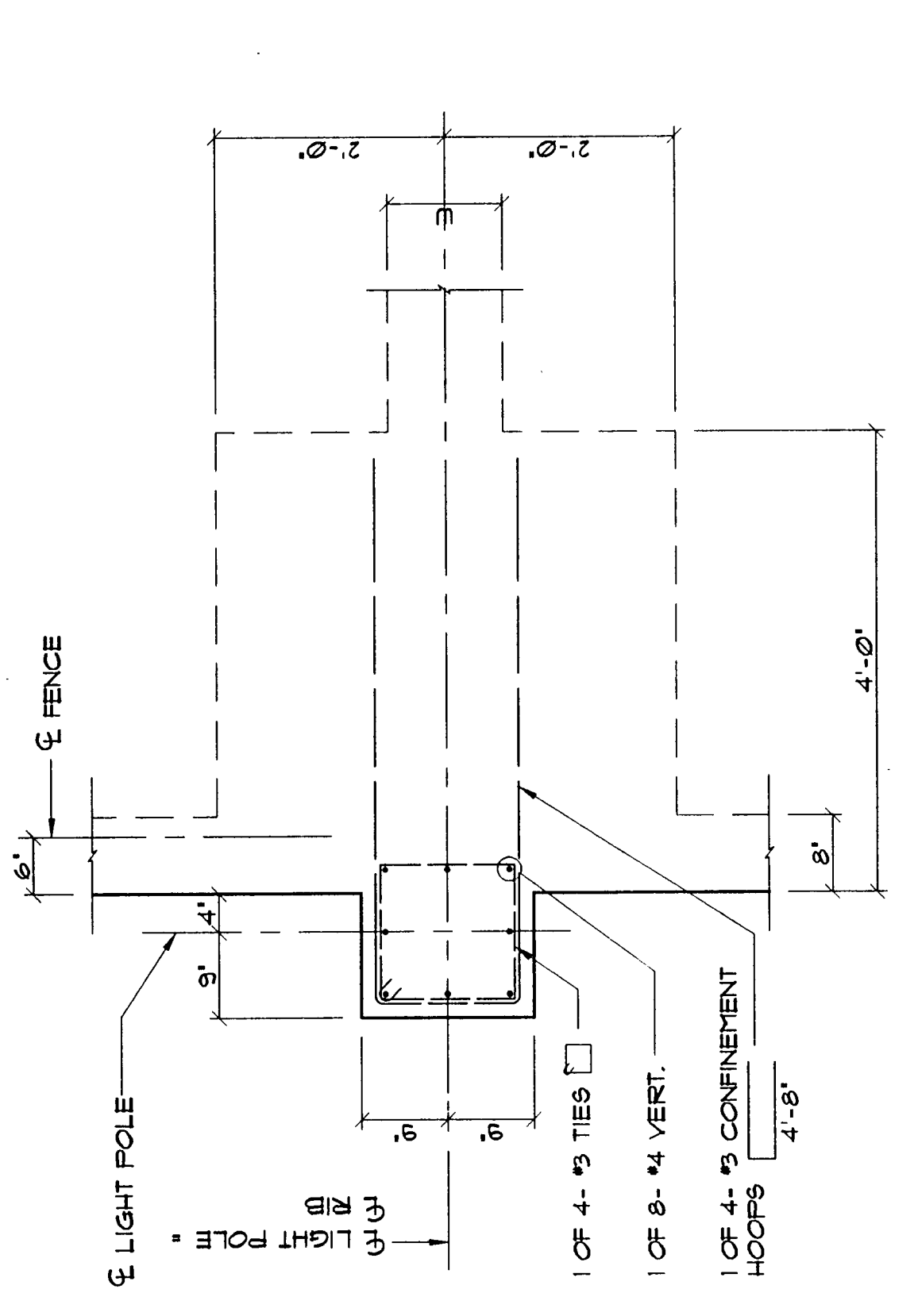
04 INTERIOR LIGHT POLE BASE DETAIL



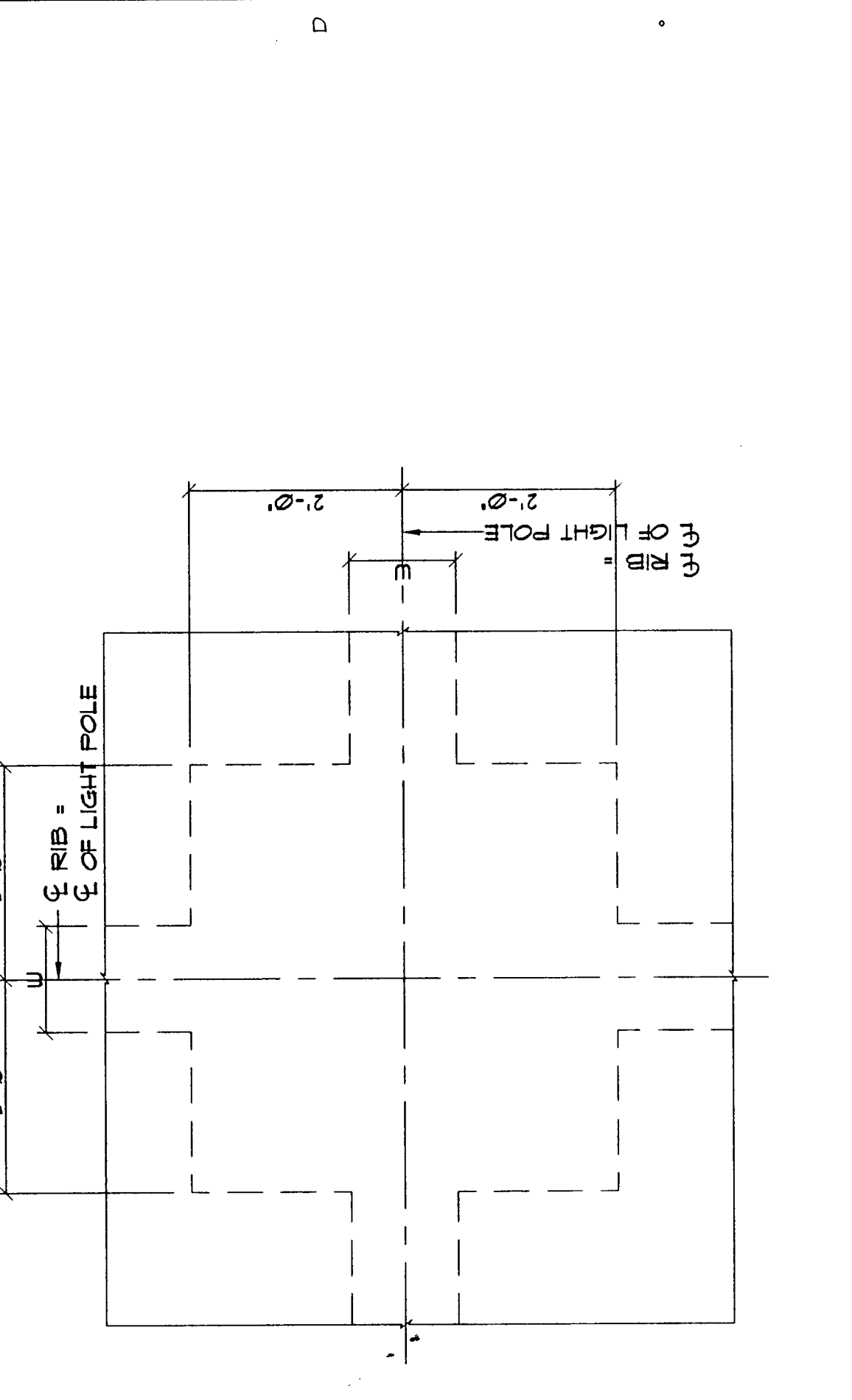
09



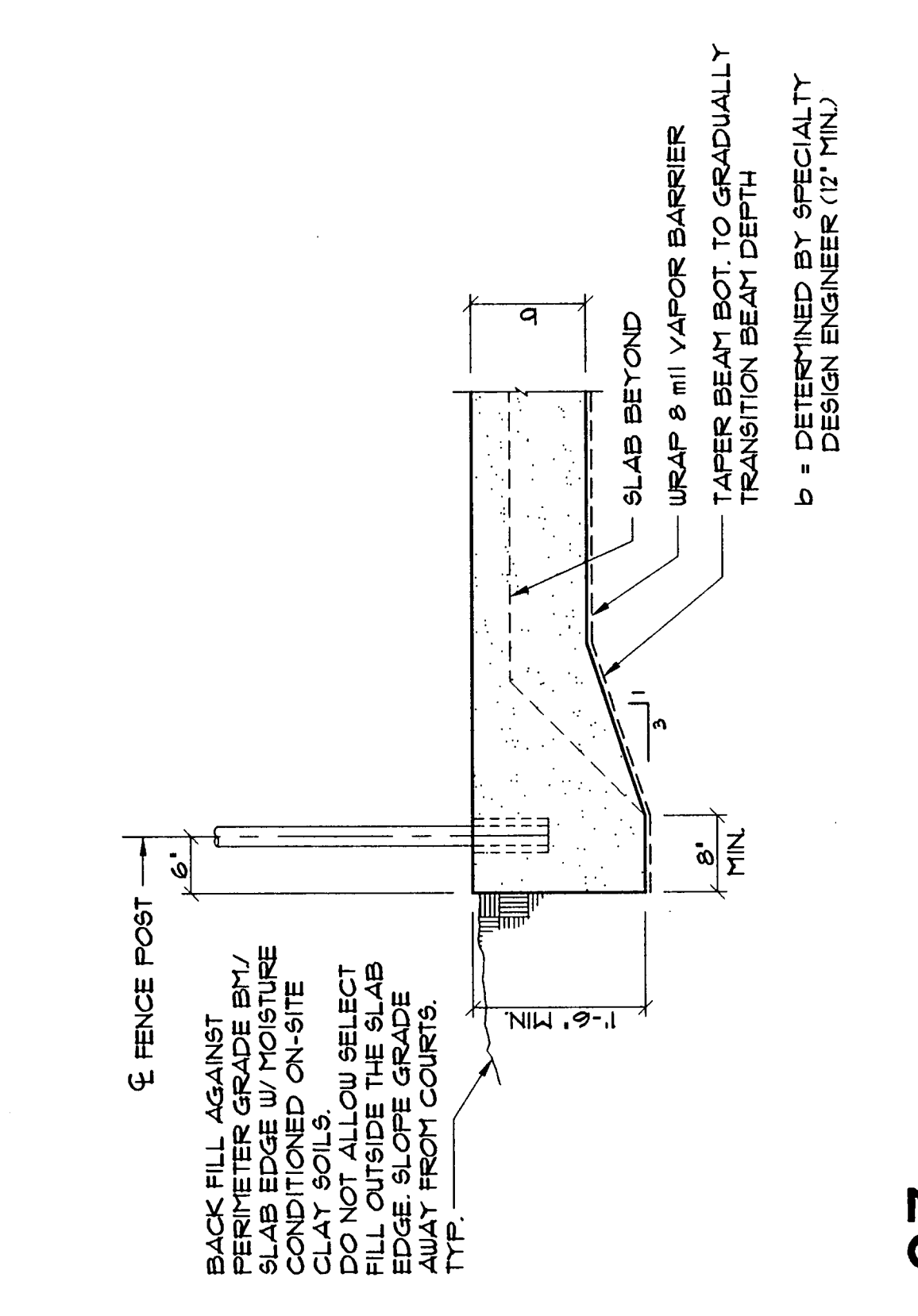
10 INTERIOR LIGHT POLE BASE DETAIL



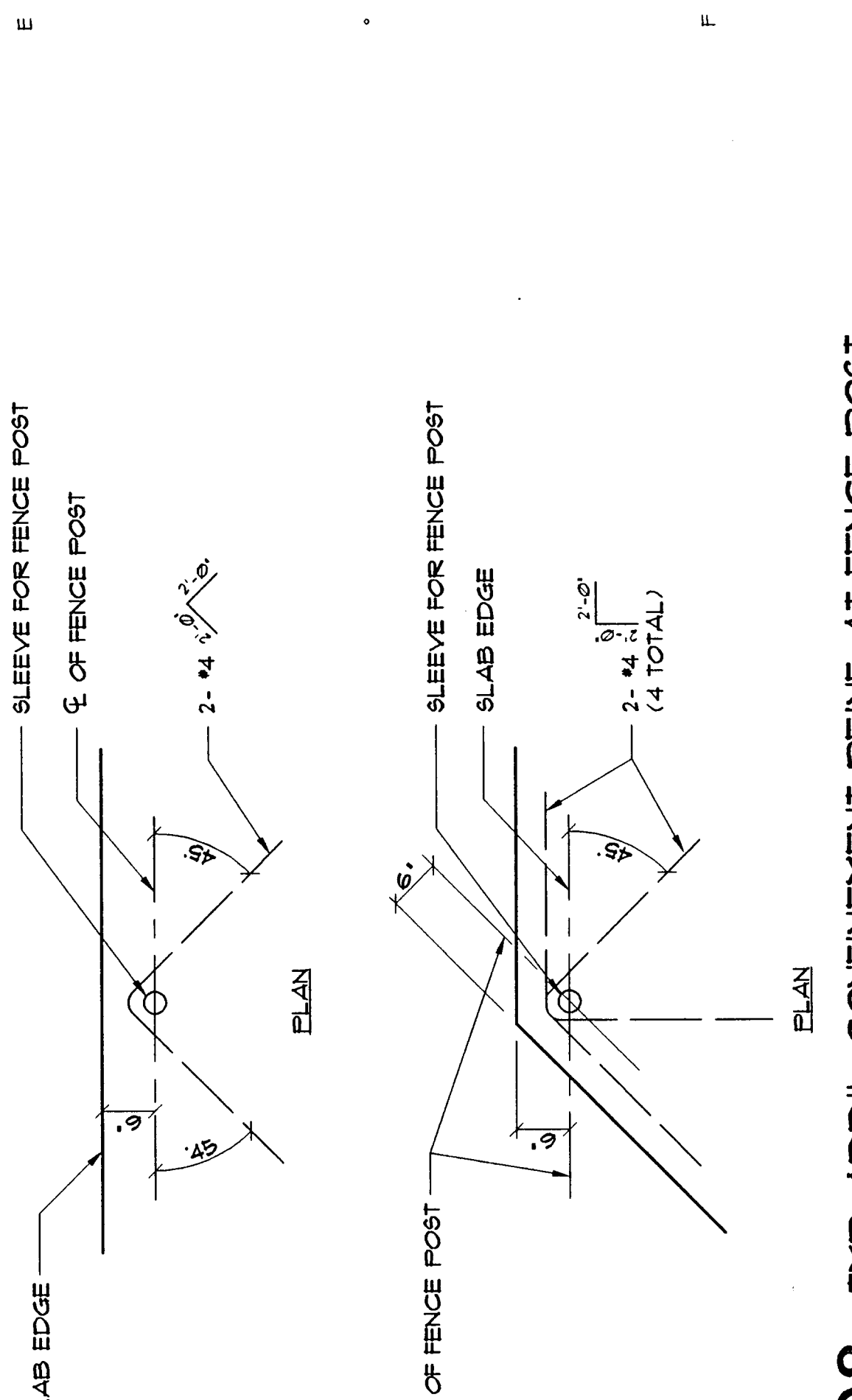
05 PLAN-PERIMETER LIGHT POLE BASE



06 PLAN-INTERIOR LIGHT POLE BASE



07 SLAB EDGE AT INTERSECTING BEAM



08 TYP. ADD'L. CONFINEMENT REINF. AT FENCE POST