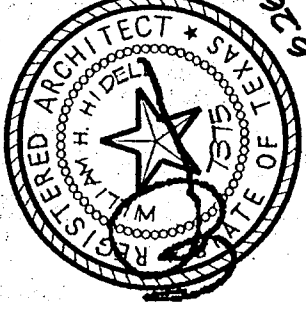


Greenhill School
DEASON FAMILY
TENNIS CENTER

HIDELL

ASSOCIATES
ARCHITECTS

3033 WELLMAN BLVD. SUITE 100
CARROLLTON, TEXAS 75006-2505
(972) 441-8888 FAX (972) 416-0189
E-MAIL: HIDELL@HIDELL.COM



STRUCTURAL ENGINEER
SAVING S. COOPERSON, INC.
5445 W. LOOP SOUTH, SUITE 300
DALLAS, TX 75241-3446 FAX (214) 739-5354

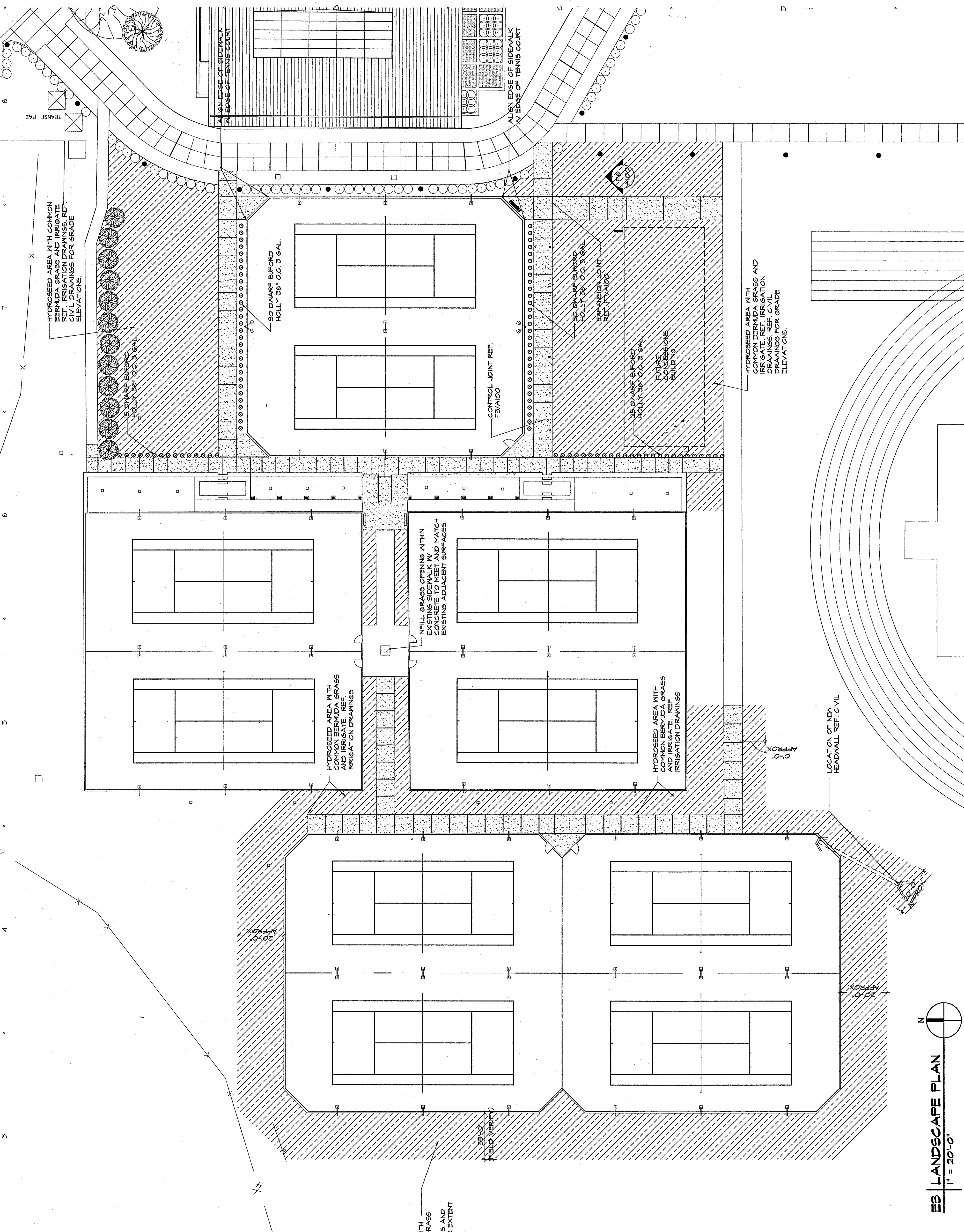
MEP ENGINEER
PAULEY MCMICH CONSULTING ENGINEERS
9401 LEI FREWAY, SUITE 300
DALLAS, TX 75243-2031
(972) 233-2031 FAX (972) 233-9544

MEP ENGINEER
SCHROEDER ENGINEERING, INC.
2408 EAST LOOP SOUTH, SUITE 1118
DALLAS, TX 75243-2031
(972) 231-5151 FAX (972) 231-5172

IRRIGATION ENGINEER
D. J. SCHROEDER
12850 SCHROEDER
DALLAS, TX 75243-2243
(972) 231-5151 FAX (972) 231-5172

Title	SITE PLAN AND DETAILS
Revisions	
Job No.	99011
Issue Date:	JUNE 26, 2000
Drawn By:	A.B. M.Q.
Checked By:	T.B.
Sheet No.	

A100

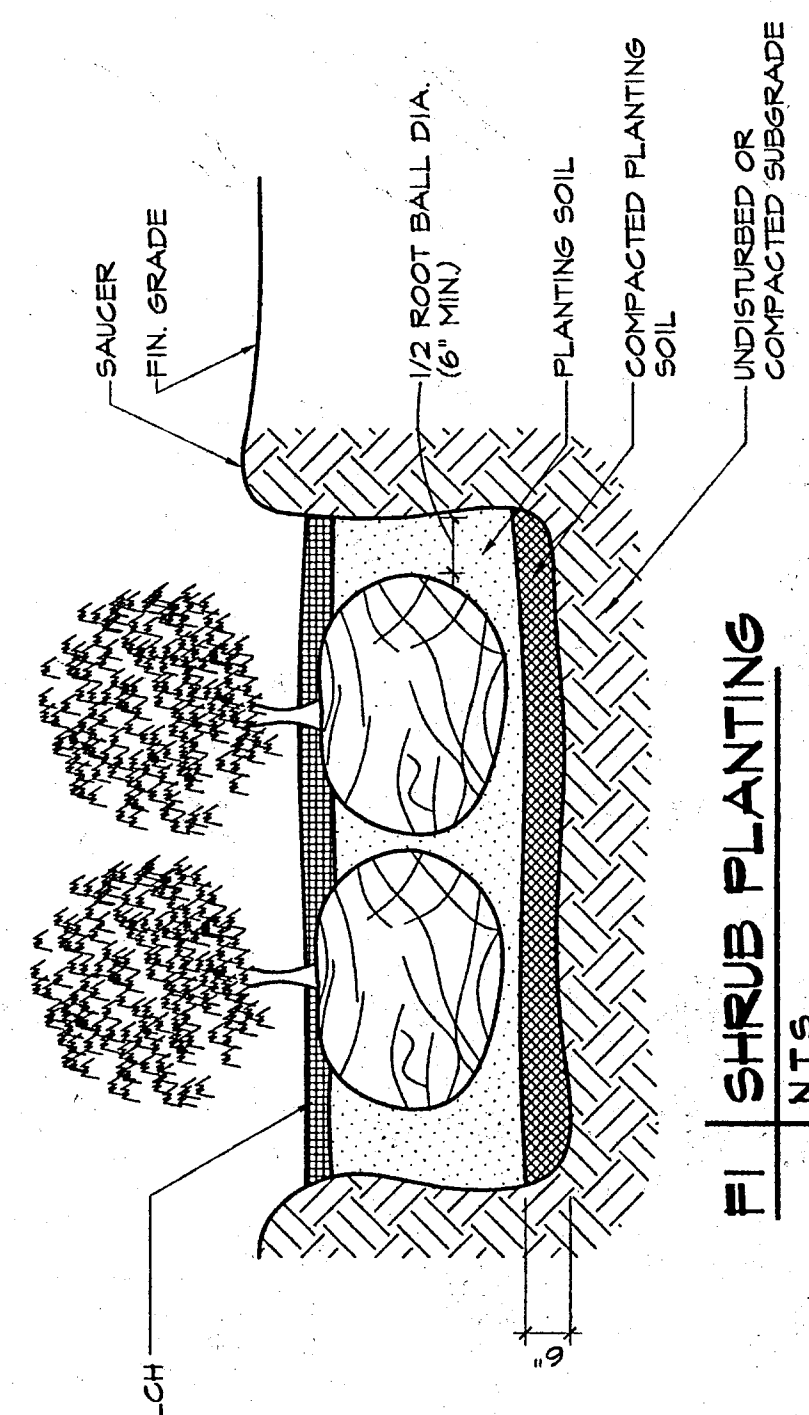


- GENERAL NOTES:
1. PROVIDE BARRICADES AND PEDESTRIAN PROTECTION THROUGHOUT GREENHILL SCHOOL. PROTECT EXISTING SIDEWALKS, LANDSCAPING AND OTHER SITE IMPROVEMENTS AS REQUIRED.
 2. REFERENCE CIVIL DRAWINGS FOR GRADE ELEVATIONS, LOCATION OF SITE UTILITIES/CONNECTIONS AND OTHER ASSOCIATED ITEMS.
 3. COORDINATE INSTALLATION AND RELOCATION OF IRRIGATION SYSTEM IN ACCORDANCE WITH THE PLANS AND SPECIFICATIONS. BE MATCHED IN GENERAL CONTRACTOR SHALL FIELD VERIFY EXISTING IRRIGATION SYSTEM TO BEHOLD & COORDINATE IN NEW IRRIGATION SYSTEM DESIGN.

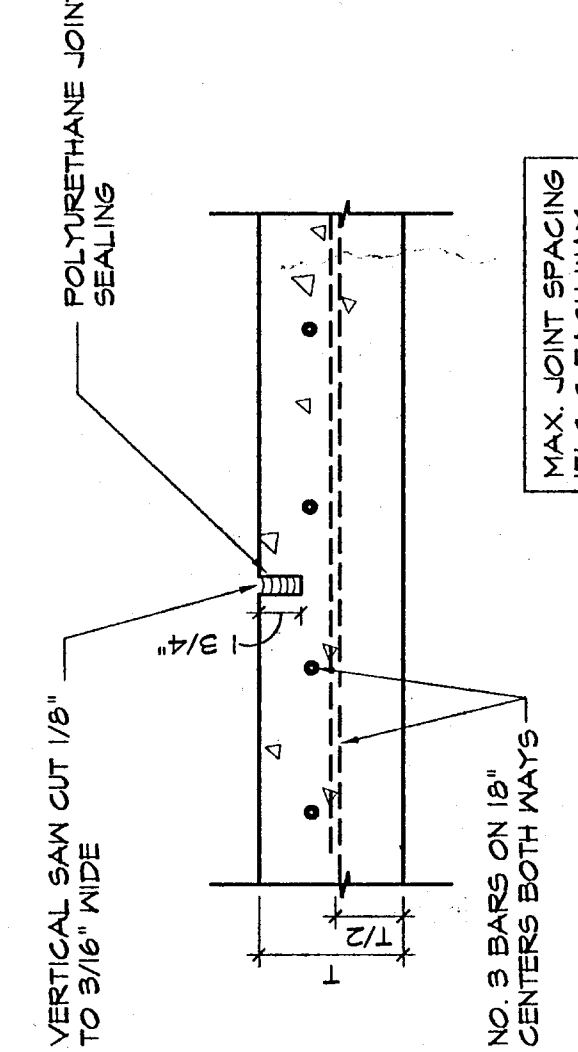
HYDROSEED AREA WITH COMMON BERMUDA GRASS AND IRRIGATE. REF. IRRIGATION DRAWINGS FOR EXTENT OF WORK.

PLANT LIST	QUANTITY	COMMON NAME/BOTANICAL NAME	SIZE	REMARKS
	100	EMVARE BURFORD HOLLY (ILEX CORNUTA 'EMVARE BURFORD')	9 GAL. 16" HT. 18" SPREAD	
		COMMON BERMUDA GRASS (CYDOEN DACTYLON)	HYDRO SEED	

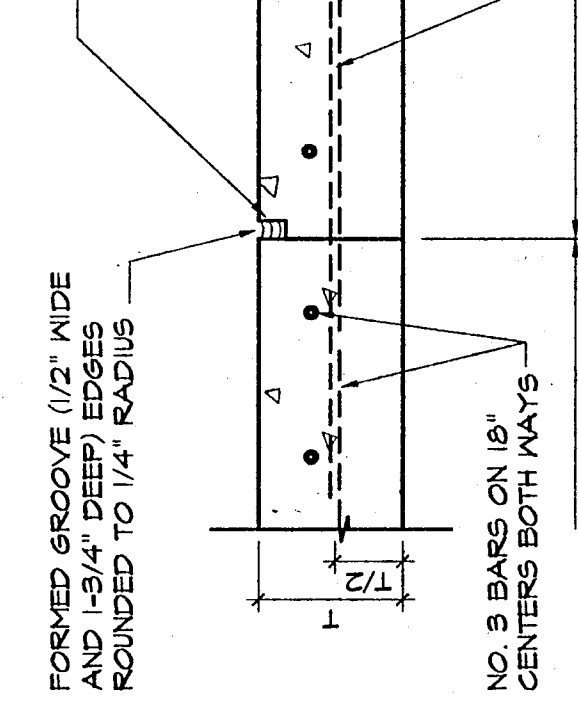
- NOTES:
1. CONTRACTOR SHALL SPREAD 6" OF TOPSOIL OVER ALL PLANTING AREAS.
 2. ESTABLISHMENT OF MAINTENANCE SHALL BE 40 DAYS AFTER PLANTING IS COMPLETE.



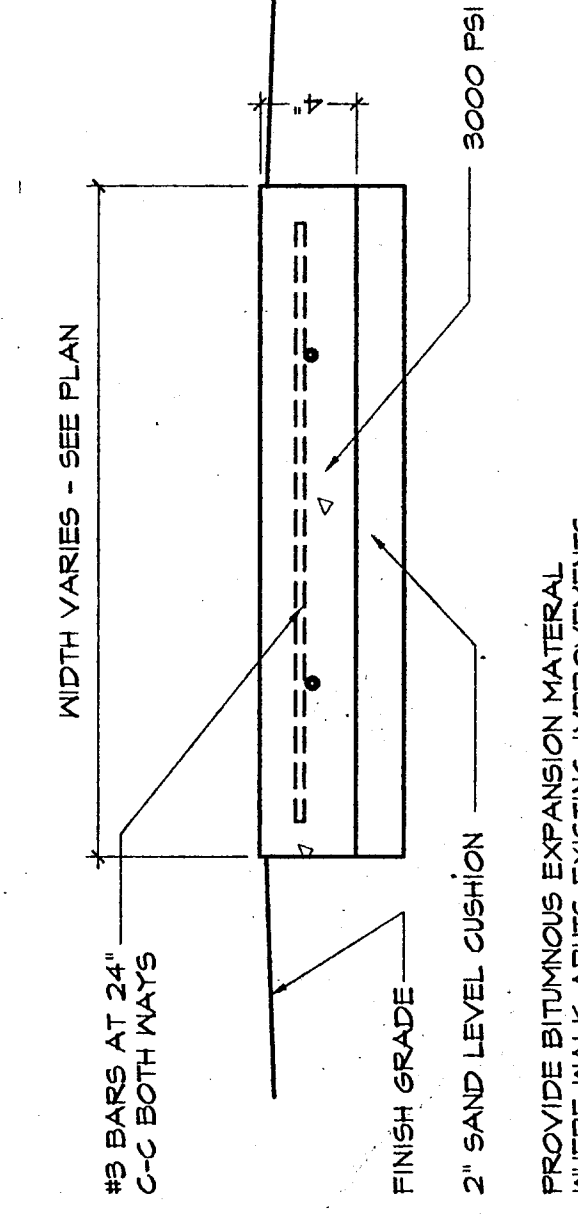
F1 SHRUB PLANTING
N.T.S.



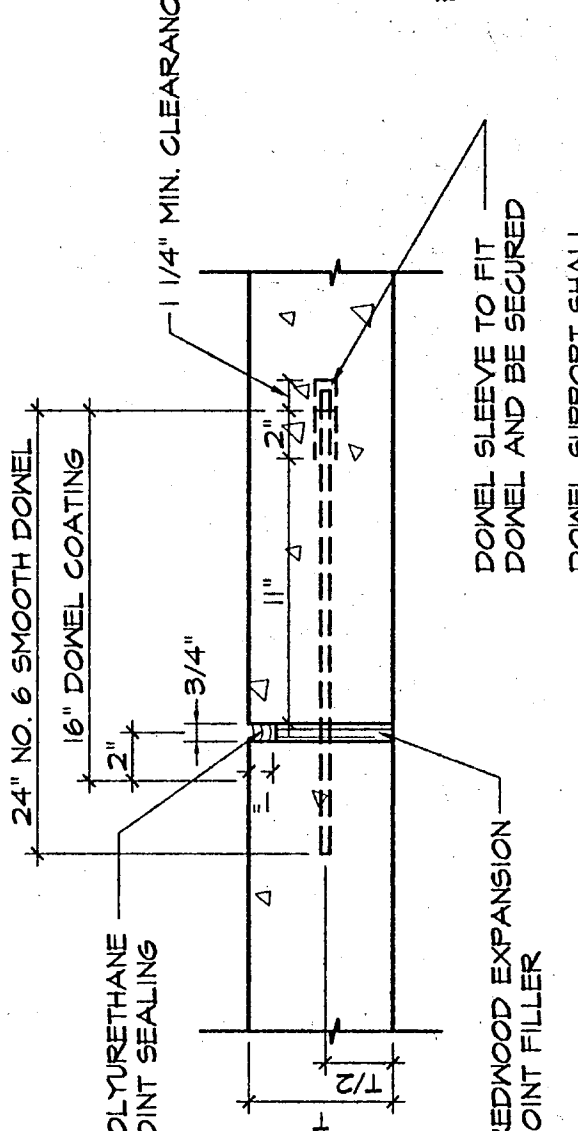
F3 SANDED DUMMY JOINT
1/2" = 1'-0"



F4 CONSTRUCTION JOINT
1/2" = 1'-0"



F6 CONCRETE WALK
1/2" = 1'-0"



F7 EXPANSION JOINT
1/2" = 1'-0"

E3 LANDSCAPE PLAN
1" = 20'-0"