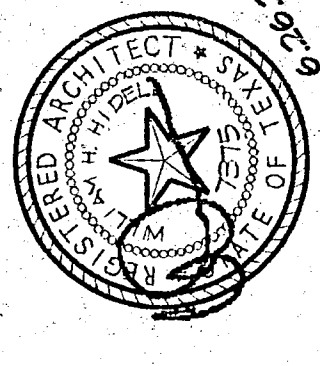


Greenhill School
DEASON FAMILY
TENNIS CENTER

HIDELL

ASSOCIATES
ARCHITECTS



STRUCTURAL ENGINEER
RAYMOND L. GOODSON, JR. INC.
2409 East Loop South, Suite 300
Dallas, TX 75223
(214) 739-8100
Fax (214) 739-0354

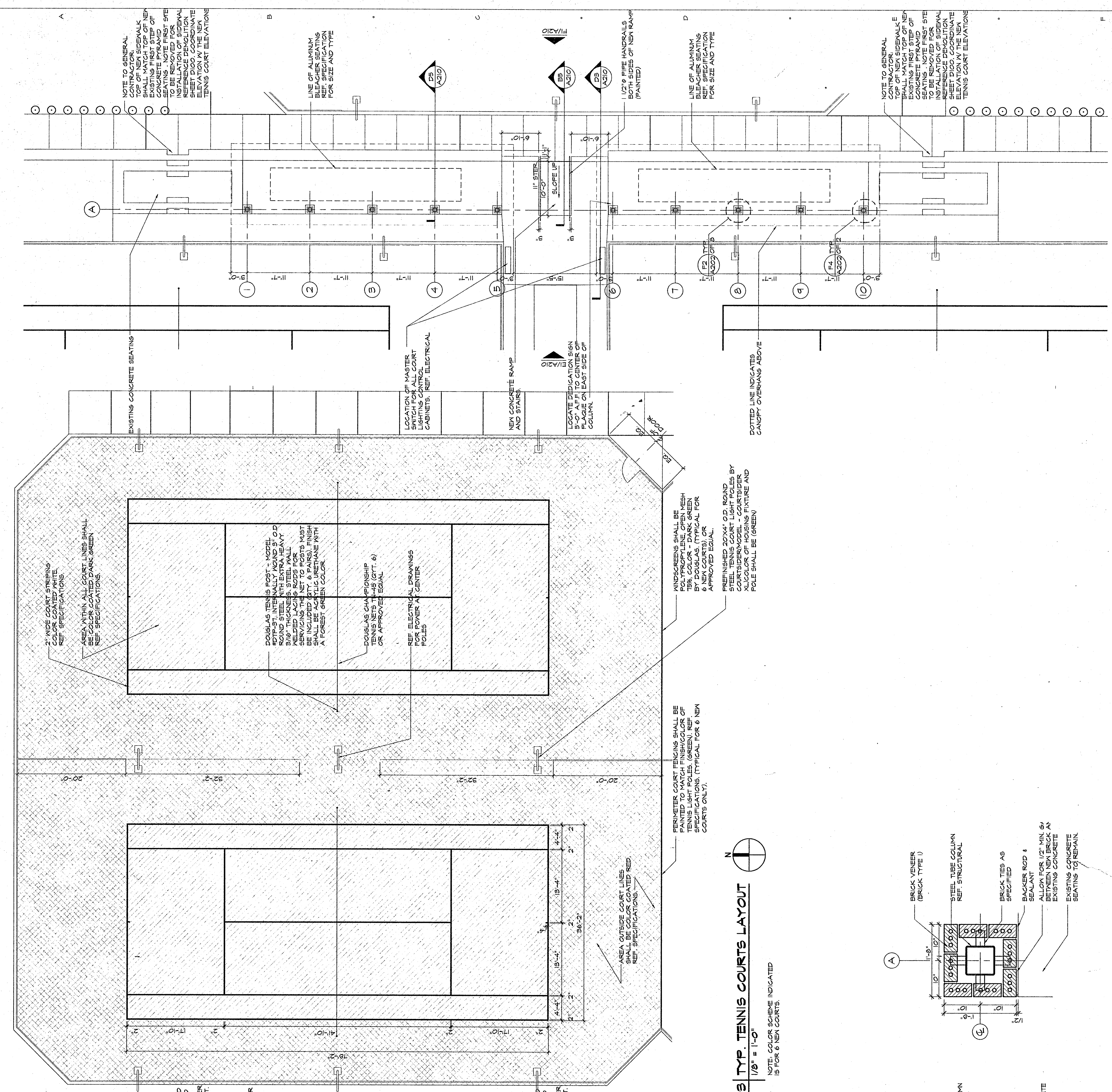
CIVIL ENGINEER
CONSULTING ENGINEERS
9401 LeBlanc Freeway, Suite 300
Dallas, TX 75243
(972) 232-9544
Fax (972) 232-9544

MEP ENGINEER
ENGINEERING, INC.
2409 East Loop South, Suite 300
Dallas, Texas 75218
Fax (817) 392-0248

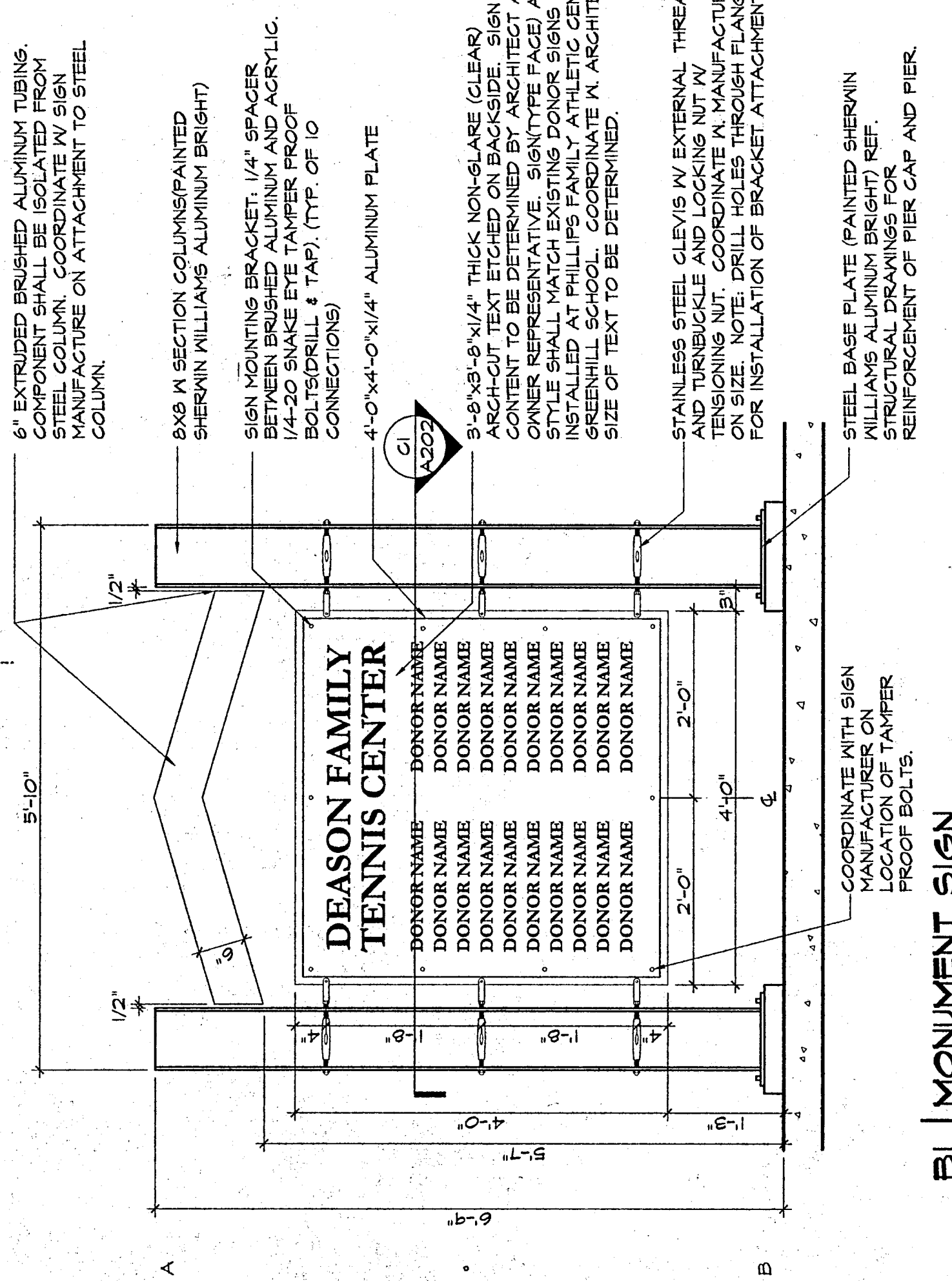
IRRIGATION ENGINEER
12850 Schroeder
Dallas, Texas 75243
Fax (972) 231-5172

A202

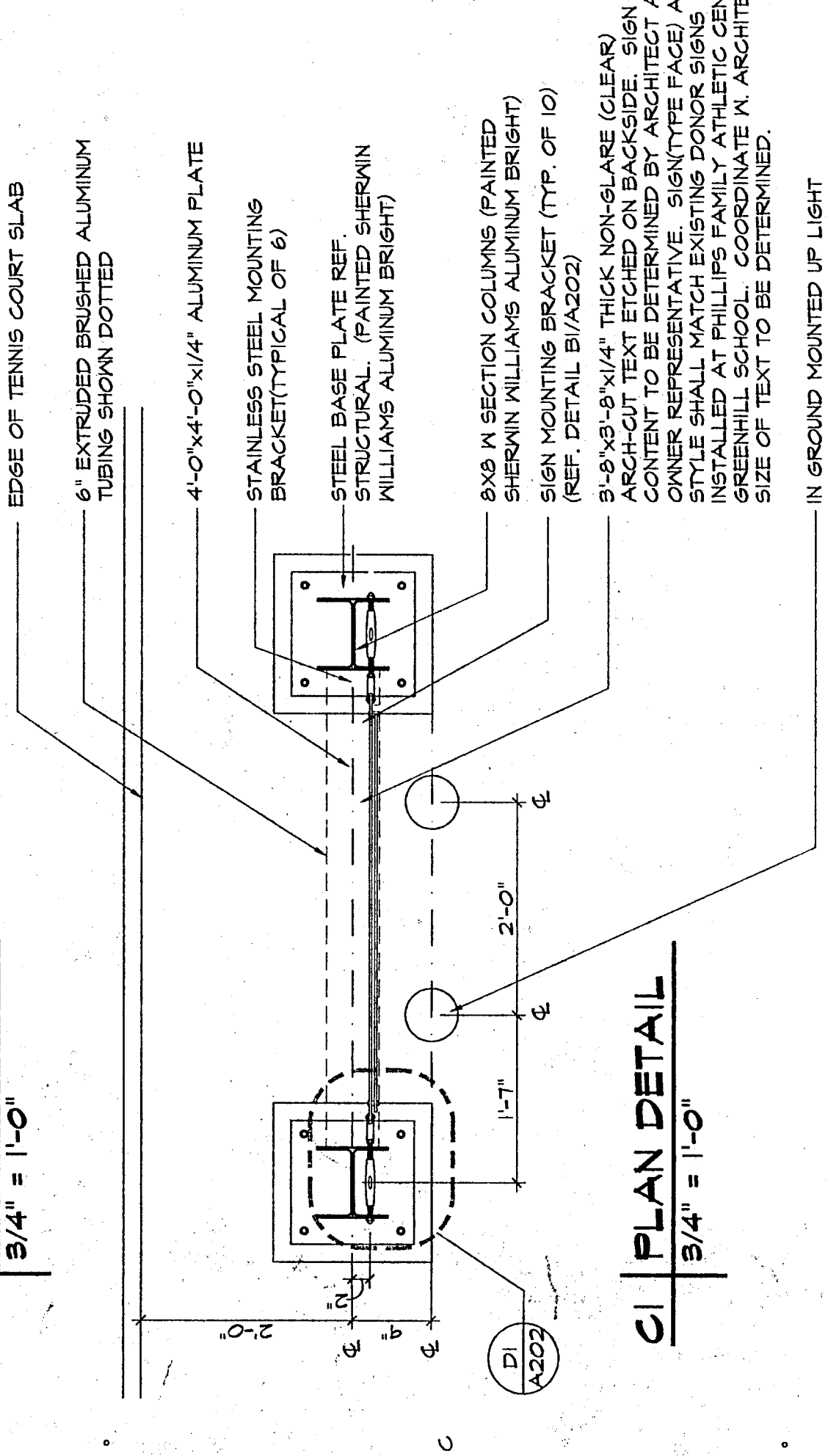
Job No. 99011
Issue Date: JUNE 26, 2000
Drawn By: A.B. M.G.
Checked By: T.B.
Sheet No.



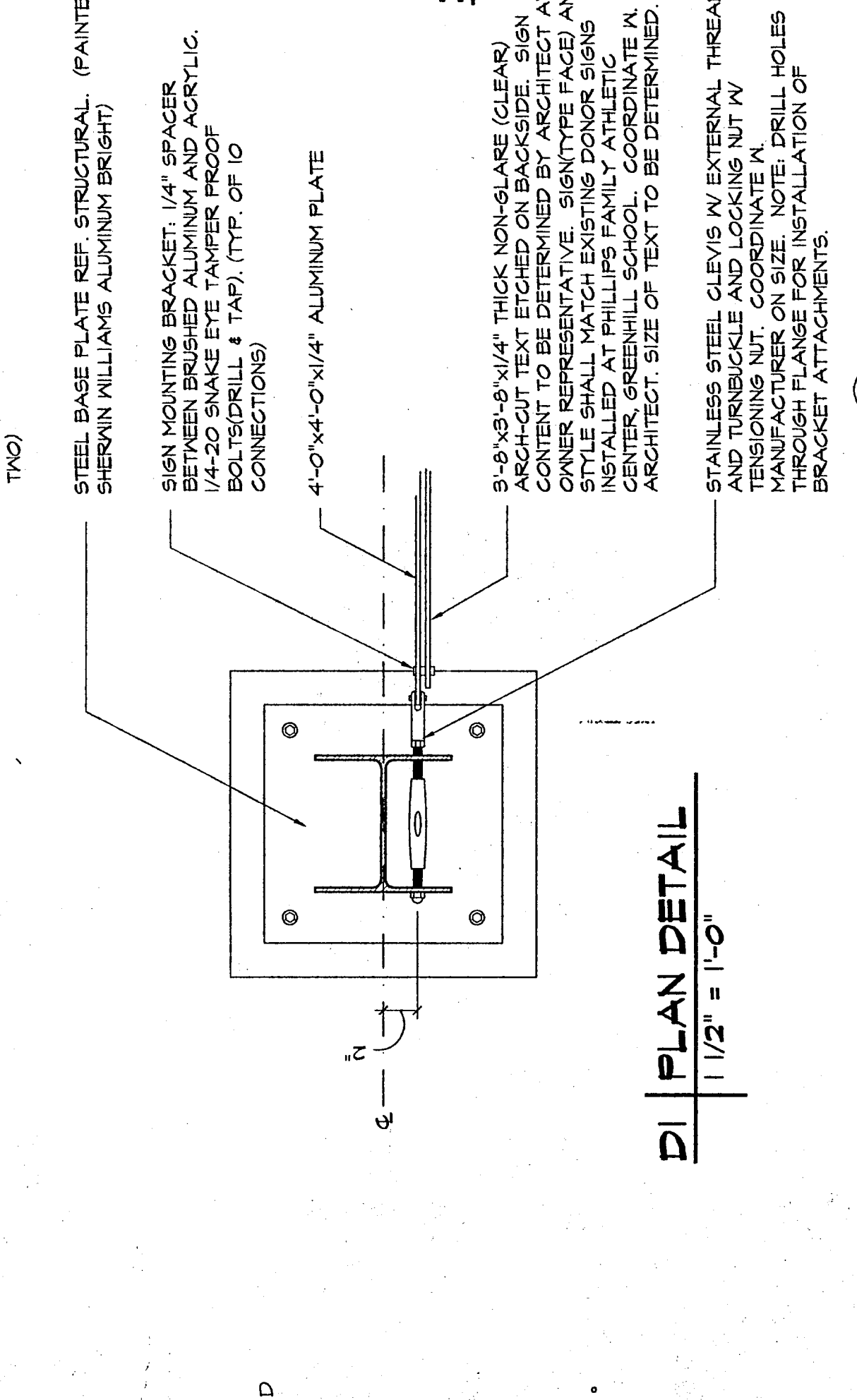
F7 ENLARGED BLEACHER PLAN
1/8" = 1'-0"



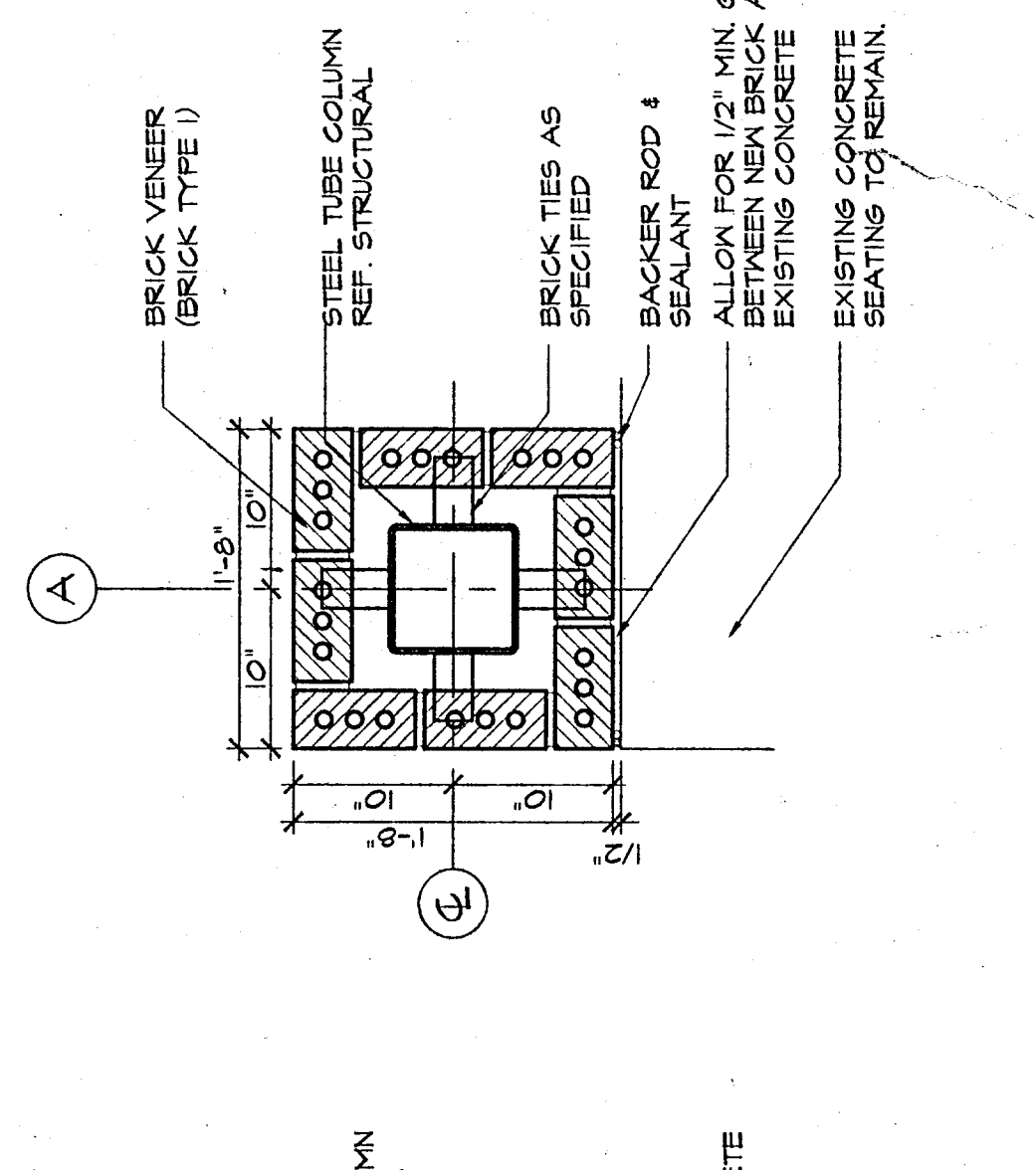
B1 MONUMENT SIGN
3/4" = 1'-0"



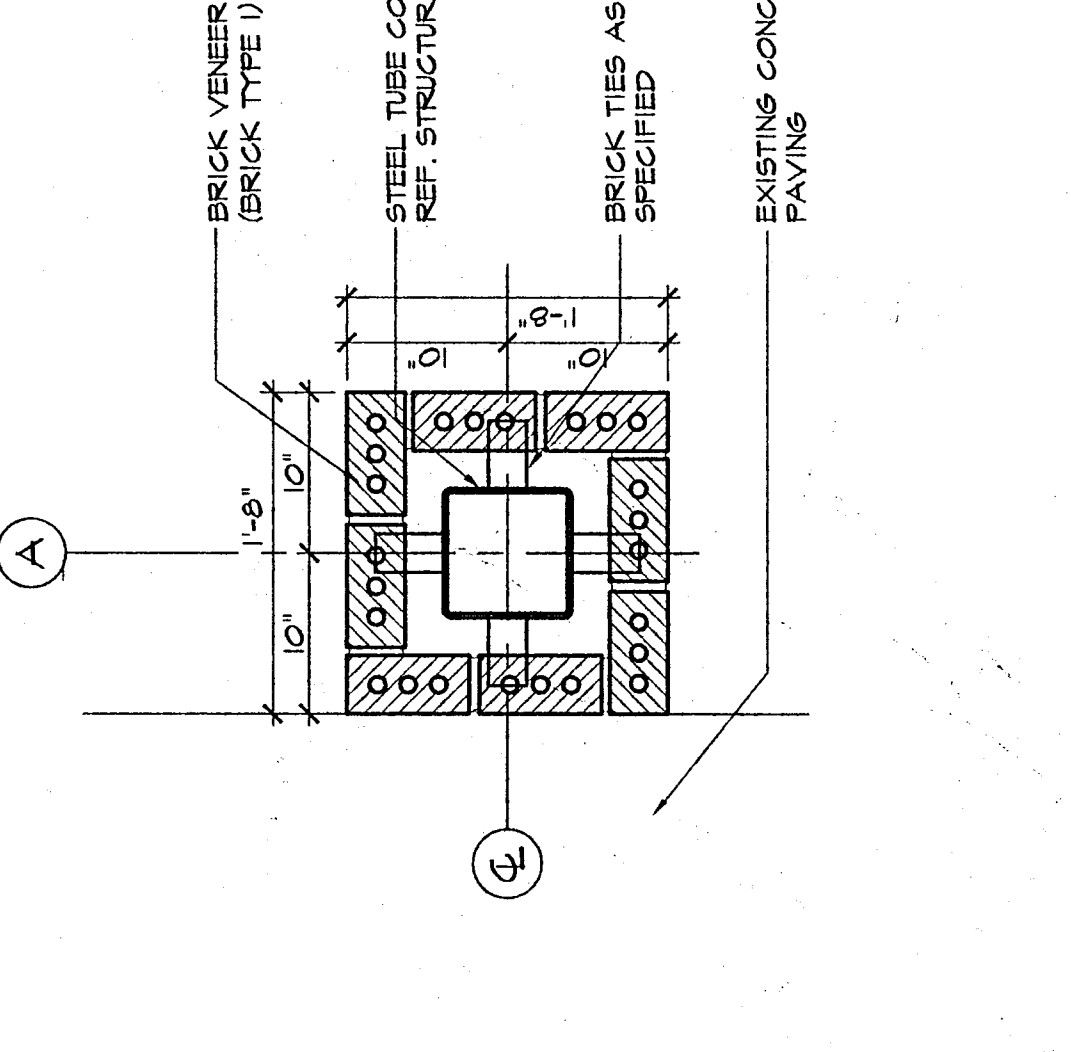
C1 PLAN DETAIL
3/4" = 1'-0"



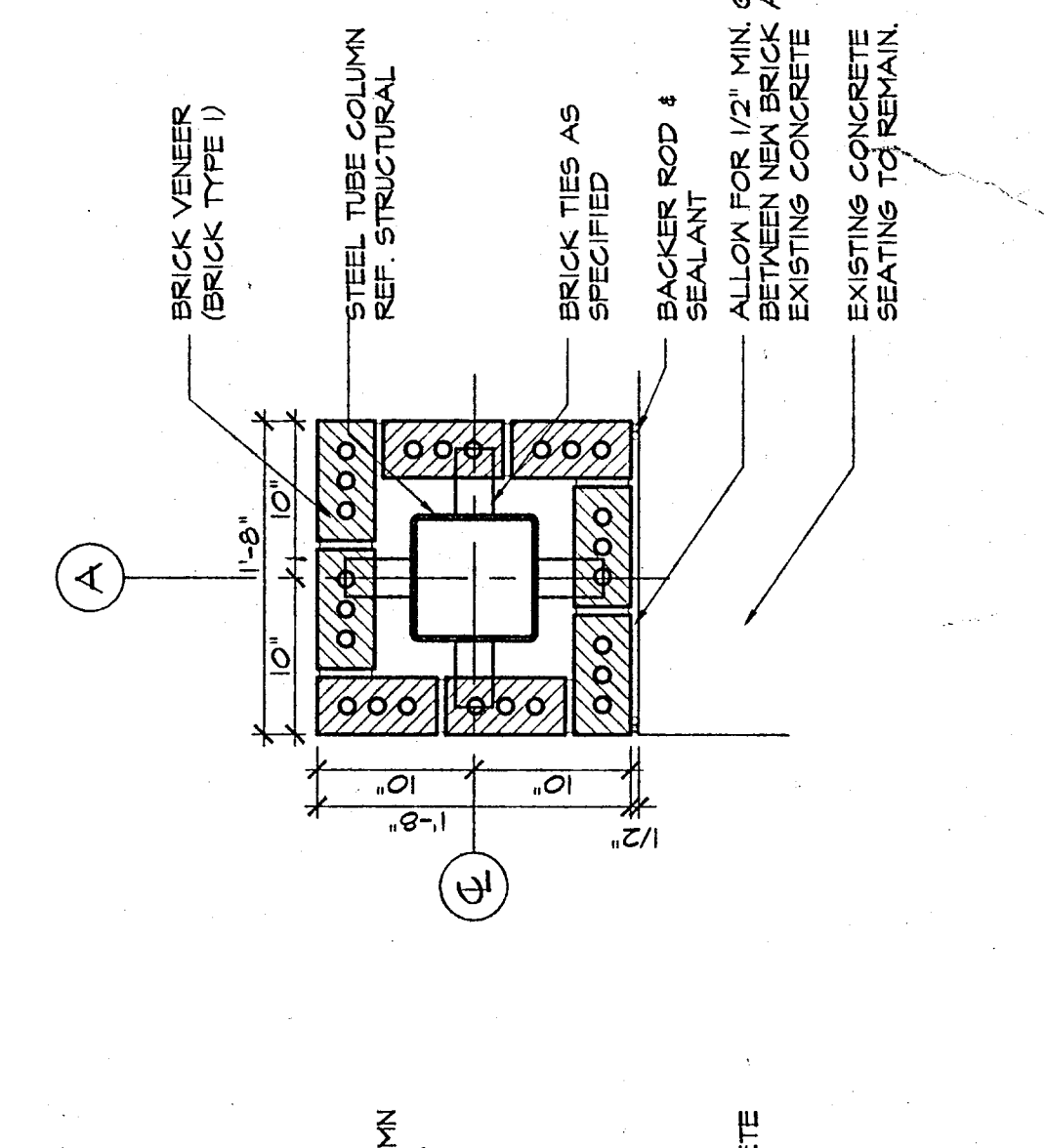
D1 PLAN DETAIL
1/2" = 1'-0"



D3 TYP. TENNIS COURTS LAYOUT
1/8" = 1'-0"



F2 COLUMN DETAIL
1" = 1'-0"



F4 COLUMN DETAIL
1" = 1'-0"