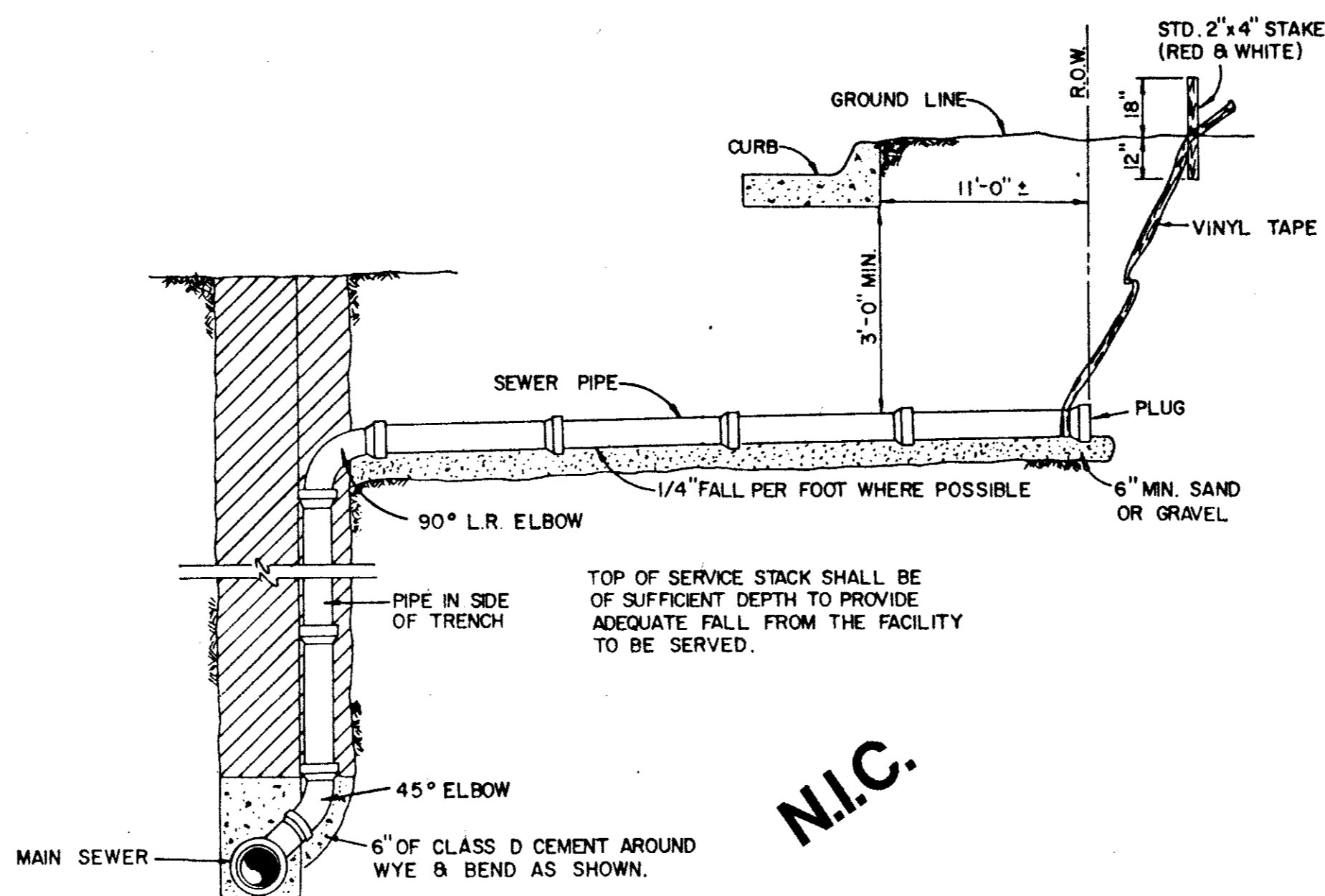
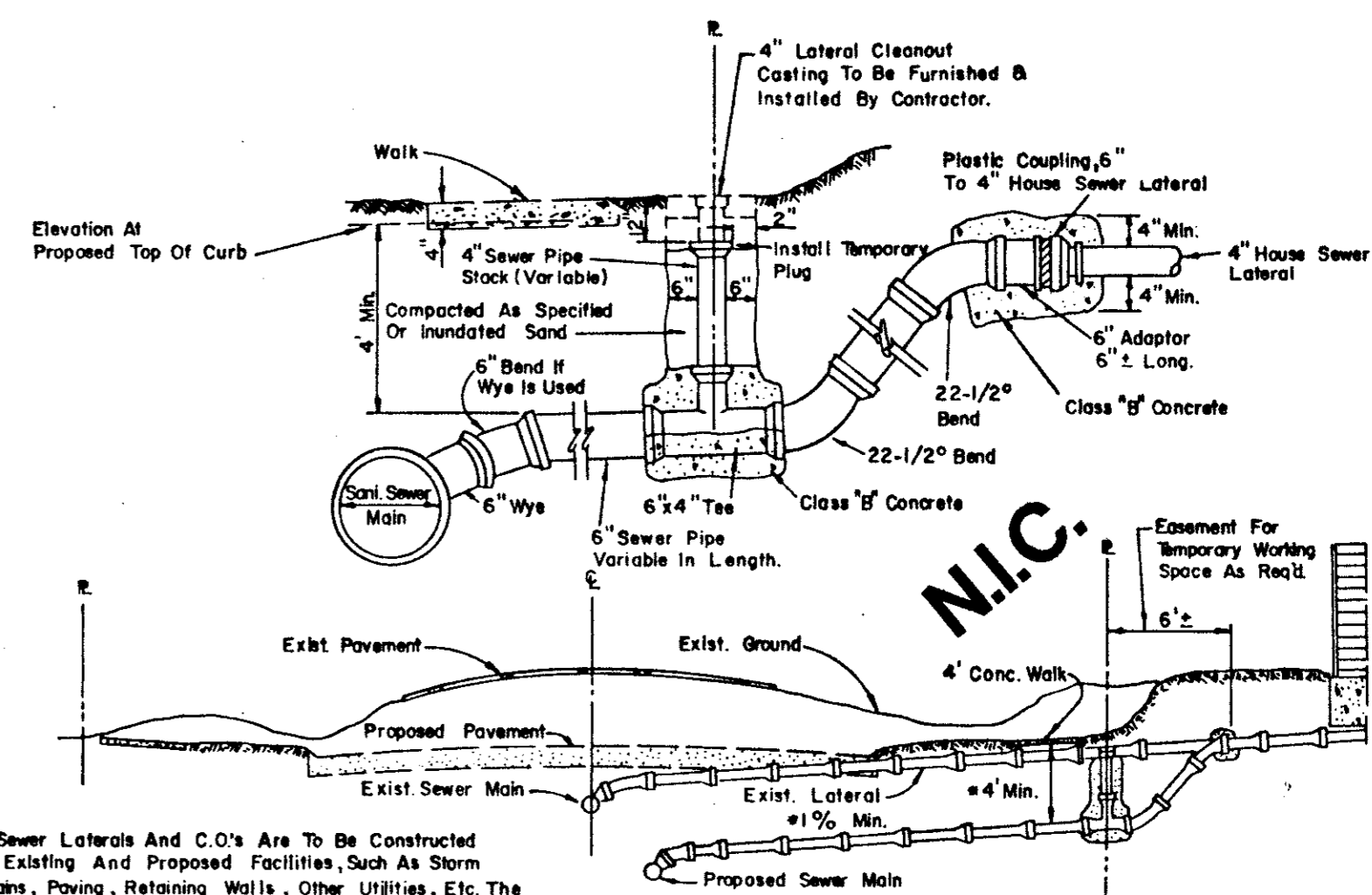


SANITARY SEWER SERVICE CONNECTION



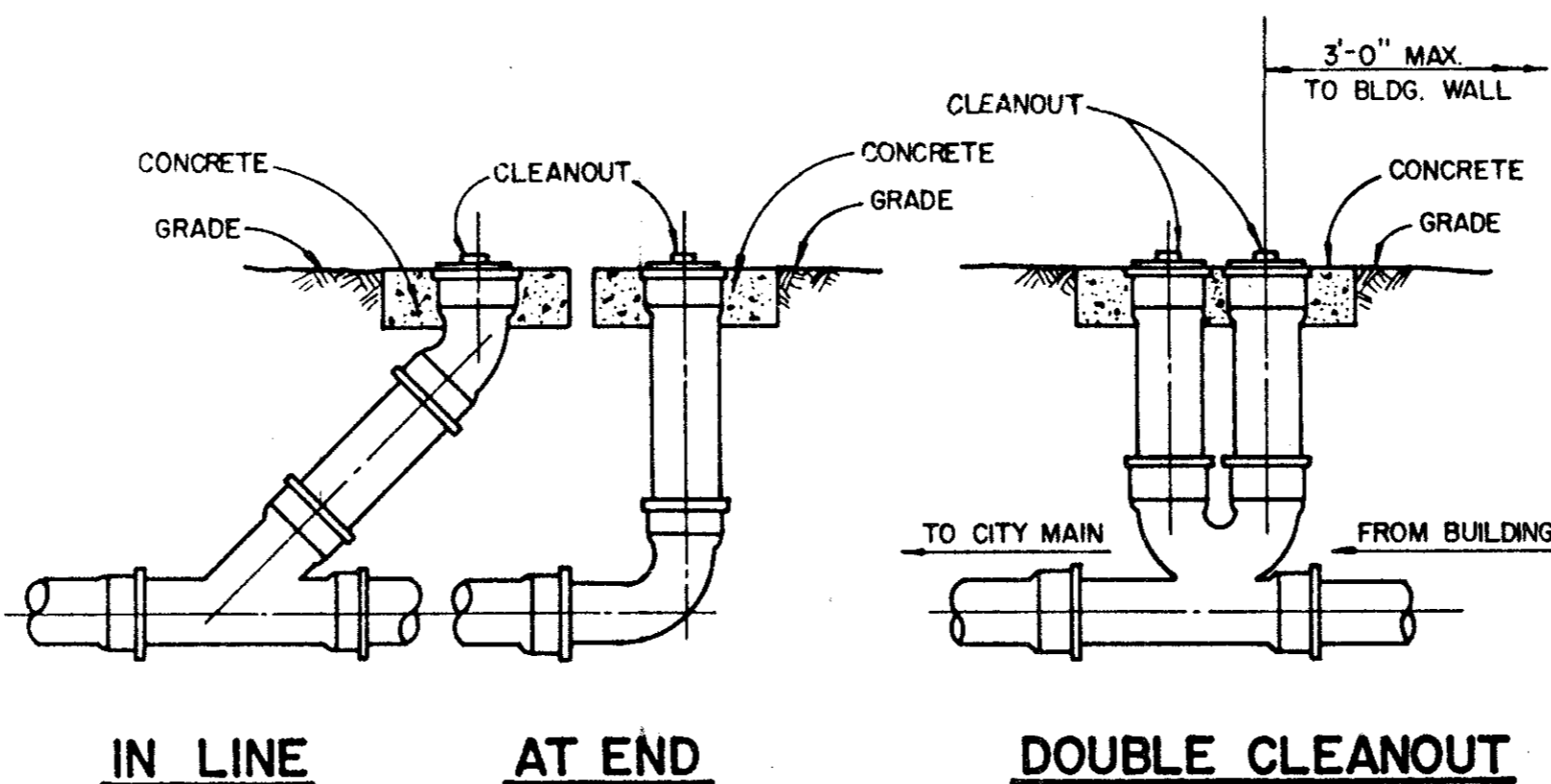
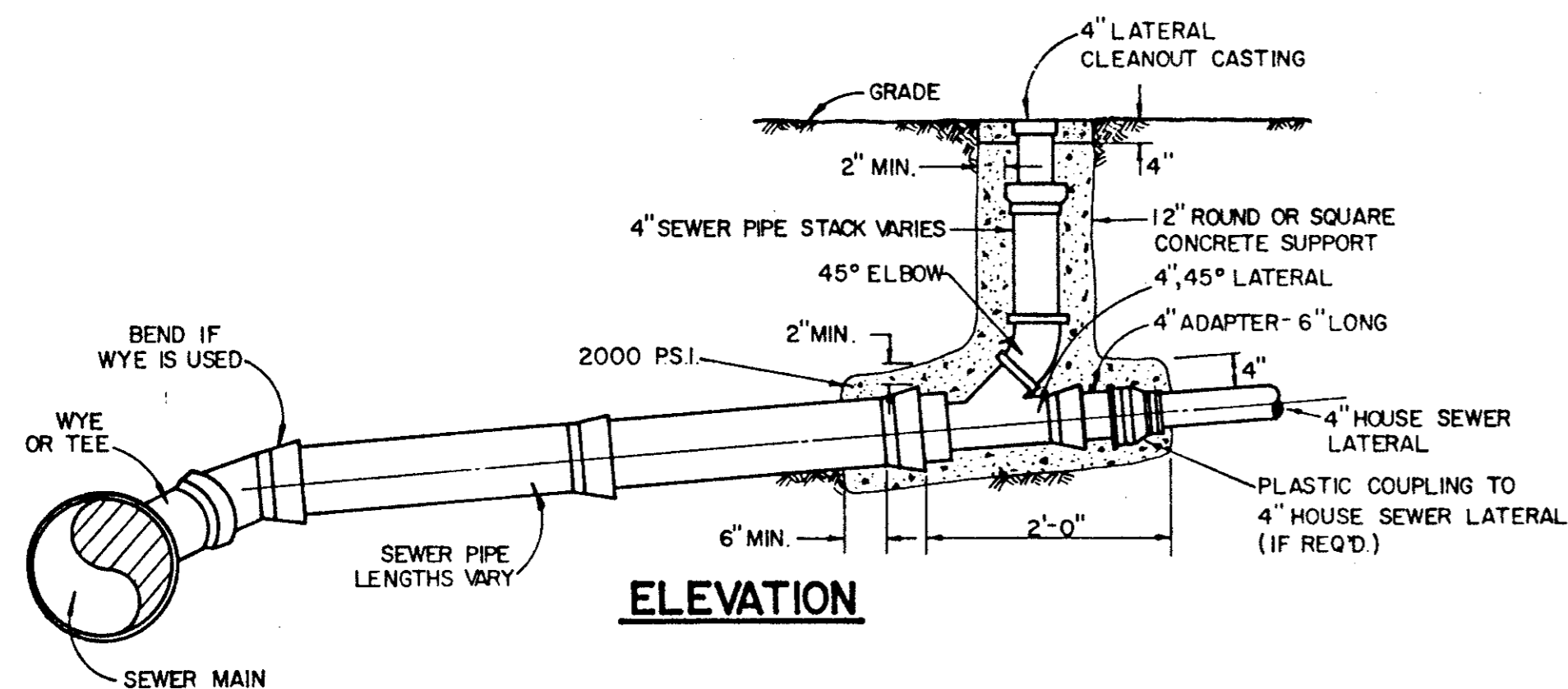
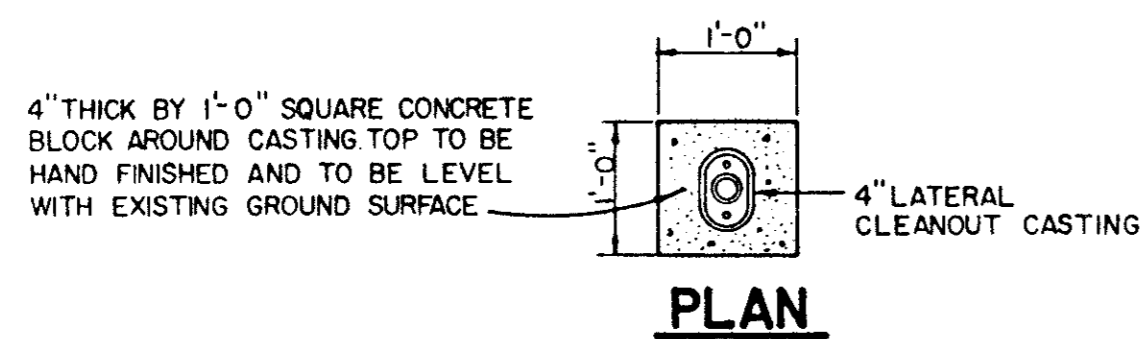
SANITARY SEWER DEEP SERVICE CONNECTION



SANITARY SEWER LATERAL REPLACEMENT

Sanitary Sewer Laterals And C.O.'s Are To Be Constructed To Clear Existing And Proposed Facilities, Such As Storm Sewer Mains, Paving, Retaining Walls, Other Utilities, Etc. The Sanitary Sewer Lateral Will Have A Min. Cover Of 4' Below The Proposed Curb Grade At The Property Line.

NOTE: Cleanout To Be Installed On Property Line Except As Required To Avoid Conflict With Existing Or Proposed Facilities In Which Case The Location Shall Be Determined By The Engineer.



TYPICAL CLEANOUTS

ALL PVC SANITARY SEWER PIPE TO BE SDR 35 WITH INTEGRAL BELL. IT SHALL BE THE RESPONSIBILITY OF THE CONTRACTOR TO FIELD LOCATE HORIZONTALLY EACH 4' SERVICE IN RELATION TO THE SANITARY SEWER STATIONING. FIELD TIES ARE TO BE INCLUDED AND RECORDED ON ALUMINIZED SANITARY SEWER TAPE. THIS TAPE, GREEN OR RED IN COLOR IS TO BE ATTACHED TO THE 4' SERVICE AT THE ROW LINE AND BROUGHT TO THE SURFACE TO BE USED AS A PERMANENT MARKER.

AS BUILT

TOWN OF ADDISON, TEXAS
DEPARTMENT OF ENGINEERING
STANDARD CONSTRUCTION DETAILS
SANITARY SEWER
LATERALS AND CLEANOUTS

Designed - _____ Date - JULY, 1991
Approved - _____ Checked - _____ Scale - _____
Job No. - 90025-3
Sheet D-7 of _____

