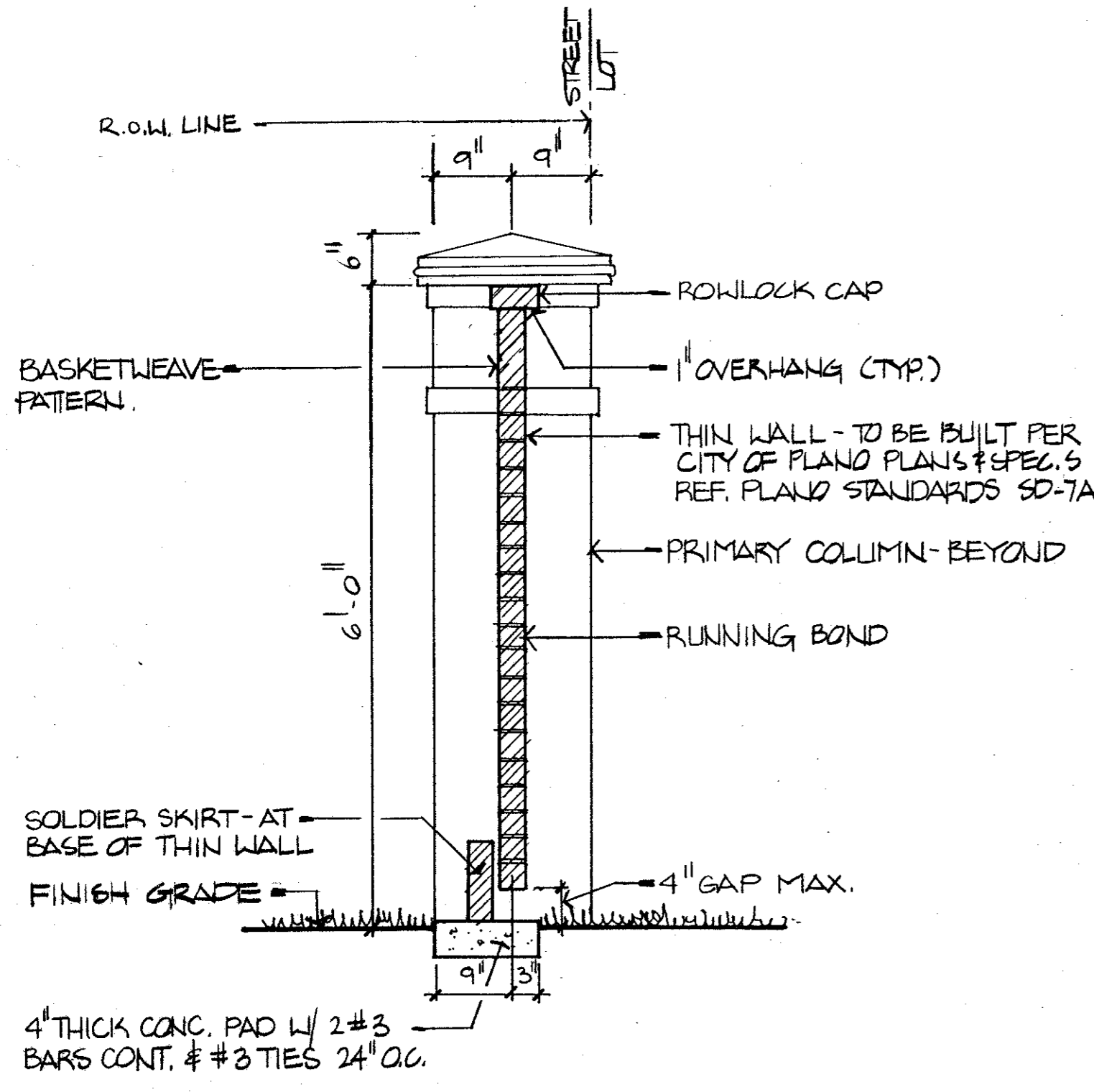
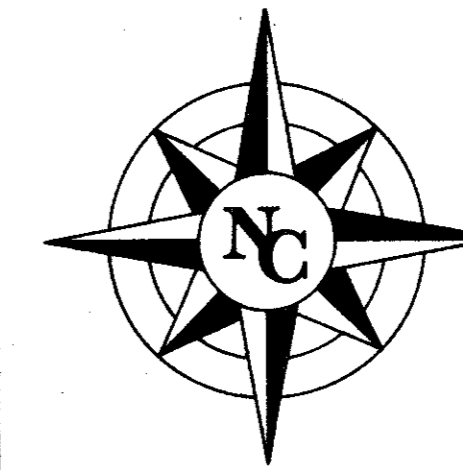
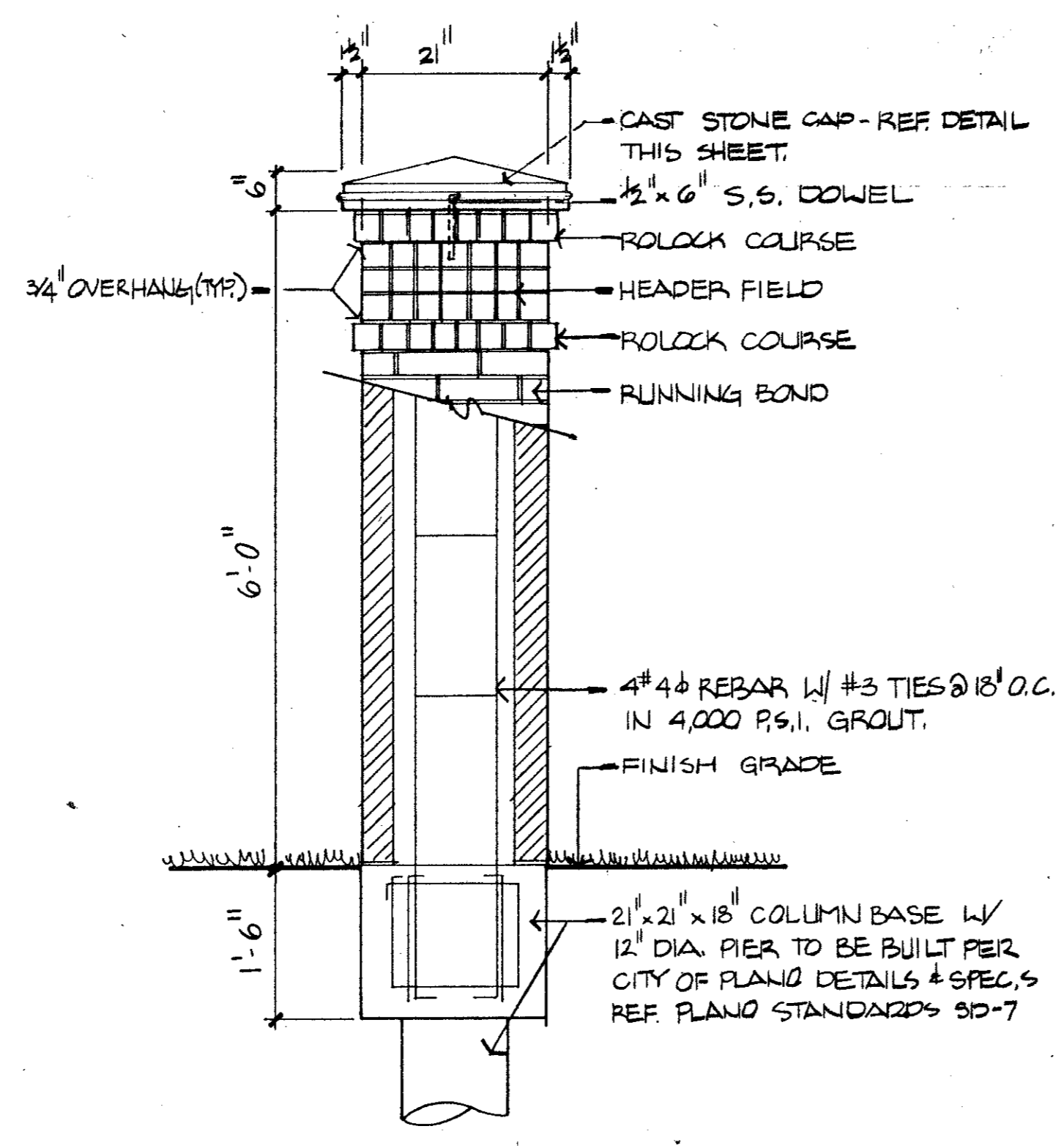


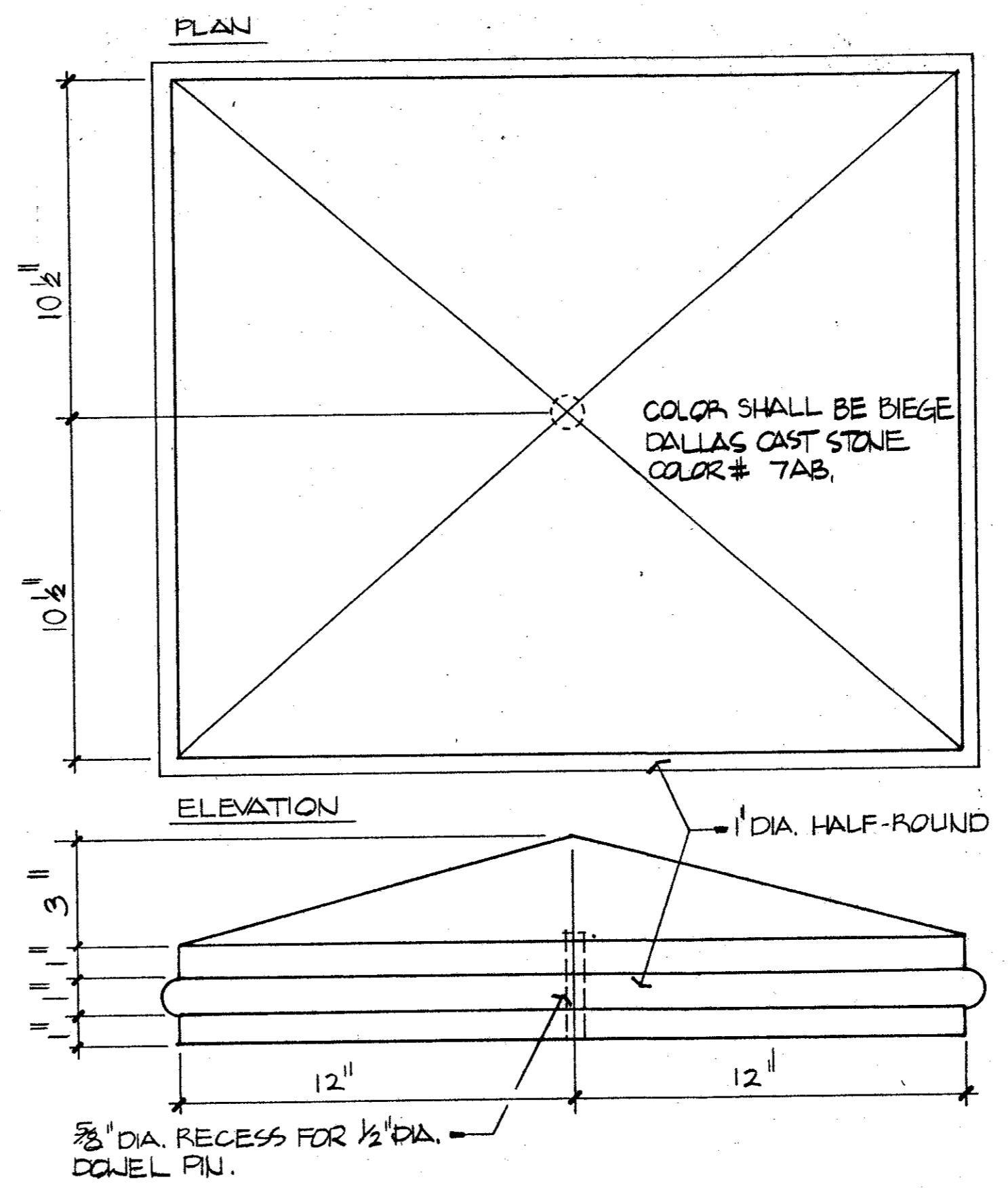
Revisions	Date	Description	Drawn By	Checked By



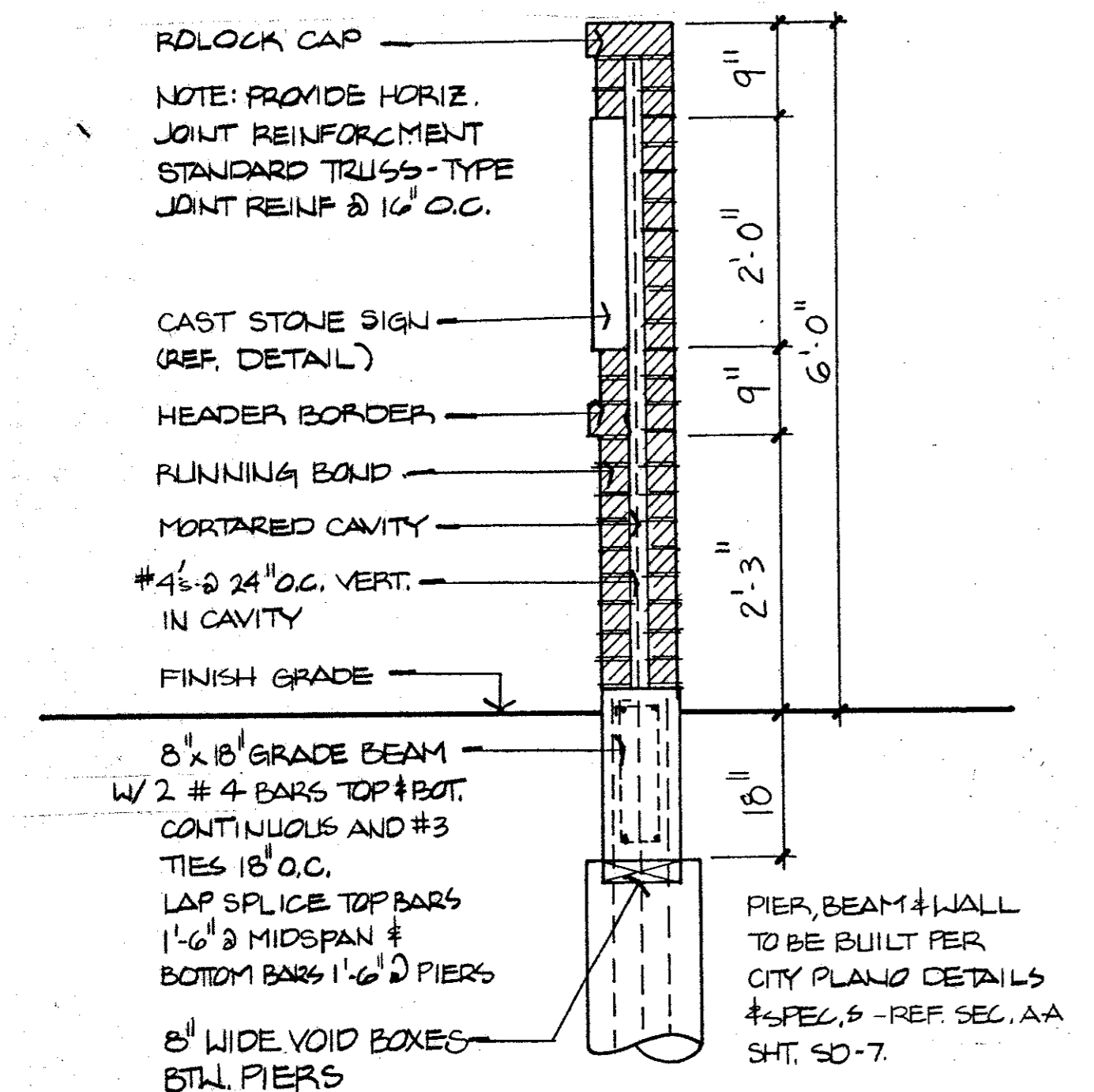
A THIN WALL SECTION
SCALE: 3/4" = 1'-0"



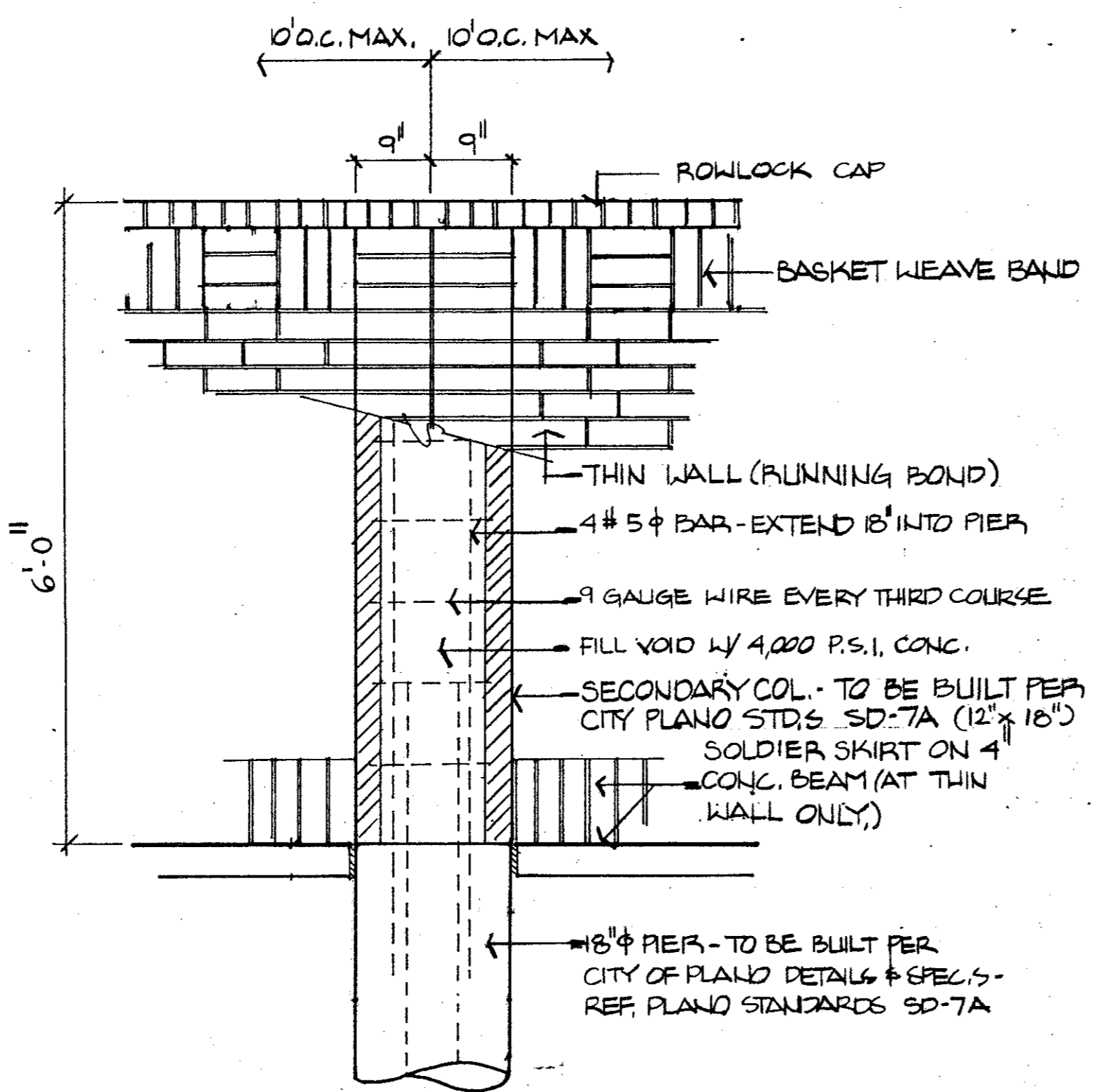
C PRIMARY COLUMN
SCALE: 3/4" = 1'-0"



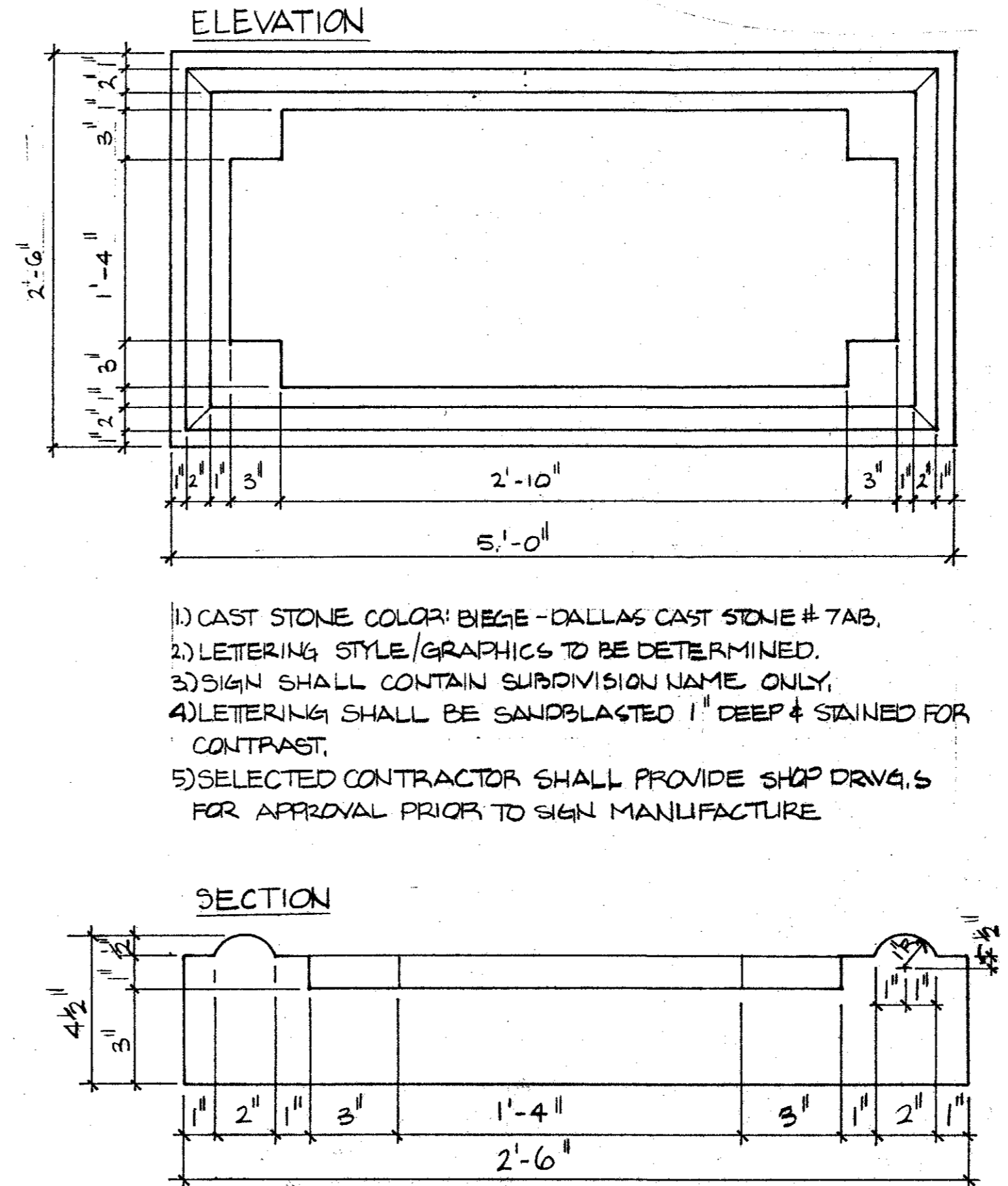
E CAST STONE CAP
NOT TO SCALE



B SECTION - DBL. BRICK WALL AT SIGN
SCALE: 3/4" = 1'-0"



D SECONDARY COLUMN
SCALE: 3/4" = 1'-0"



F CAST STONE SIGN
NOT TO SCALE

- 1) CAST STONE COLOR: BIEGE - DALLAS CAST STONE # 7A8.
- 2) LETTERING STYLE / GRAPHICS TO BE DETERMINED.
- 3) SIGN SHALL CONTAIN SUBDIVISION NAME ONLY.
- 4) LETTERING SHALL BE SANDBLASTED 1" DEEP & STAINED FOR CONTRAST.
- 5) SELECTED CONTRACTOR SHALL PROVIDE SHOP DRGS. & FOR APPROVAL PRIOR TO SIGN MANUFACTURE

SCREEN WALL

WEST FIELD COURT

TOWN OF ADDISON

Date: SEPT. 24, 1991	Scale: 1"=20'-0"	SHEET W-1 OF 2
Drawn By:	Approved By:	ETS

THE NELSON CORPORATION
 LAND PLANNING • ENGINEERING • SURVEYING
 5999 SUMMERSIDE DRIVE • SUITE 202 • DALLAS, TEXAS 75222 • (214) 380-2605

10/11/91 Houston, TX - City of Plano & City of Addison
 10/11/91