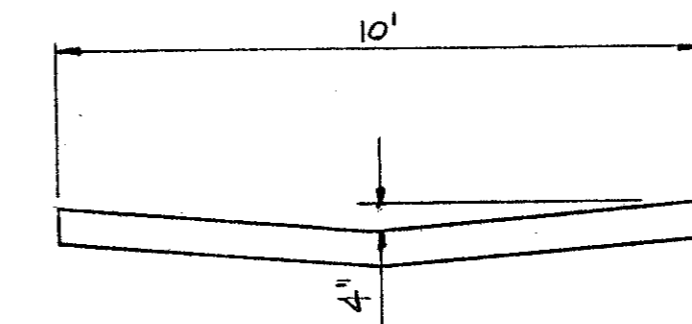
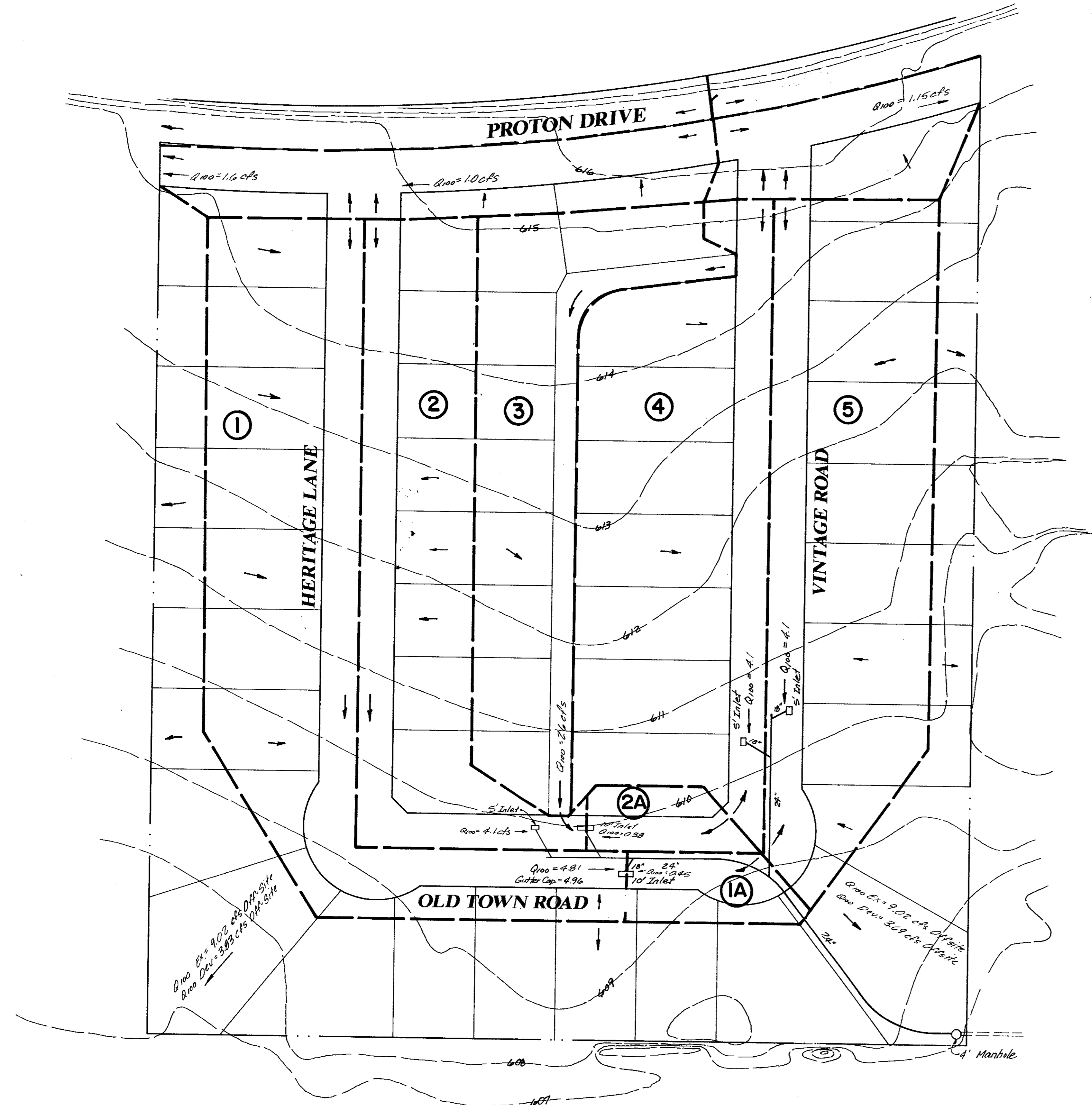
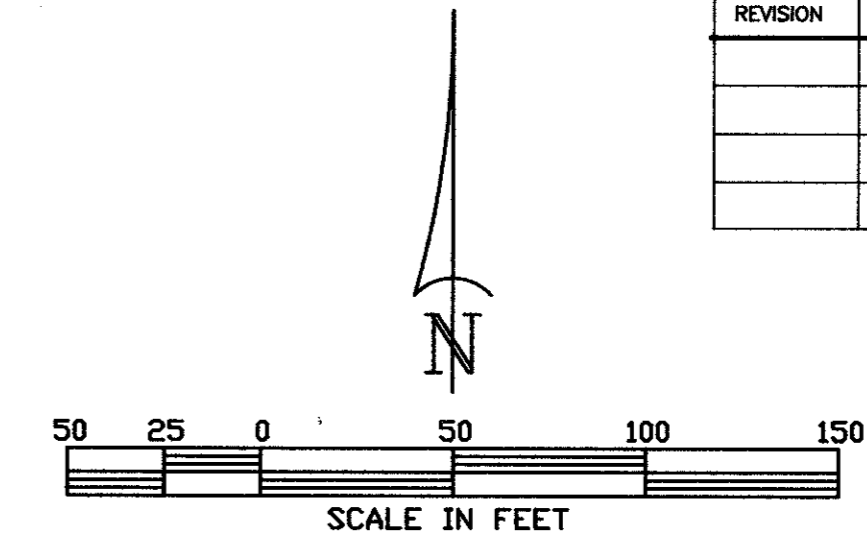
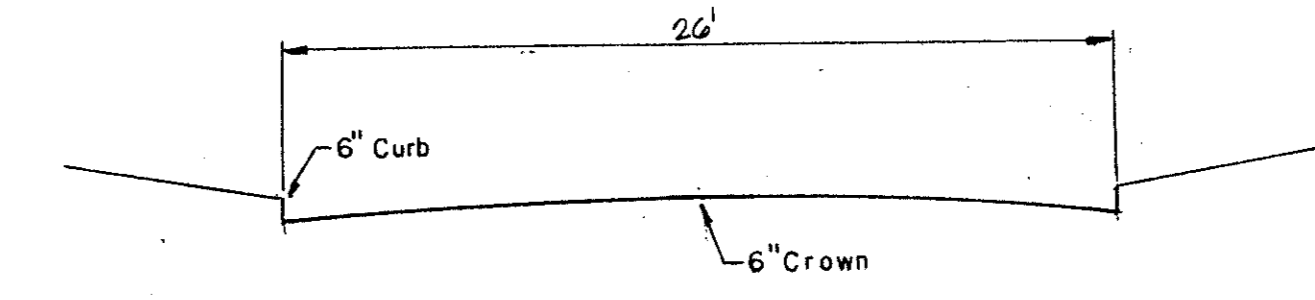


REVISION	DATE	DESCRIPTION	DRAWN BY	CHECKED BY

AREA NO.	AREA (ACRES)	Tc	Cr	CvxA	Im	Q _{in} (cfs)	Q _{in} BYPASS	INLET	BYPASS
1	1.28	.15	.5	0.7	7.52	4.81	-	1-10'	0
1A	0.12	.15	.5	0.6	7.52	0.45	-	-	0
2	1.10	.15	.5	0.6	7.52	4.1	-	1-5'-10"	0
2A	0.10	.15	.5	0.5	7.52	0.38	-	-	0
3	0.7	.15	.5	0.35	7.52	2.63	-	-	0
4	1.1	.15	.5	0.55	7.52	4.1	-	1-5'	0
5	1.1	.15	.5	0.55	7.52	4.1	-	1-5'	0



$Q = \frac{1.486}{n} AR^{2/3} S^{1/2}$
 $Q = \frac{1.486}{0.016} (1.67) \left(\frac{167}{10}\right)^{2/3} S^{1/2}$
 $Q_{Alley} = 47.04 S^{1/2}$
 $S = 1.16\%$
 $Q = 5.06 \text{ cfs}$
ALLEY CAPACITY



$Q = \frac{1.486}{n} AR^{2/3} S^{1/2}$
 $n = 0.016$
 $A = 4.33 \text{ Ft.}^2$
 $Q = \frac{1.486}{0.016} (4.33) \left(\frac{4.33}{27}\right)^{2/3} S^{1/2}$
 $Q_{Str.Cap} = 118.70 S^{1/2}$
 $S = 0.50\%$
 $Q = 84 \text{ cfs (42 cfs/side)}$
STREET CAPACITY

AS BUILT

- LEGEND**
- DRAINAGE AREA LINE
 - - - EXIST. CONTOUR LINE
 - PROP. STORM SEWER LINE
 - EXIST. STORM SEWER LINE
 - ① DRAINAGE AREA

DRAINAGE AREA MAP

WESTFIELD COURT
TOWN OF ADDISON, TEXAS

Date: JUNE 1991 Scale: 1"=50' SHEET _____ OF _____

Drawn By: TNC Approved By: TNC DA-1 SHEETS

THE NELSON CORPORATION
LAND PLANNING • ENGINEERING • SURVEYING
5999 SUMMERSIDE DRIVE SUITE 202 • DALLAS, TEXAS 75262 • (214) 390-2805

