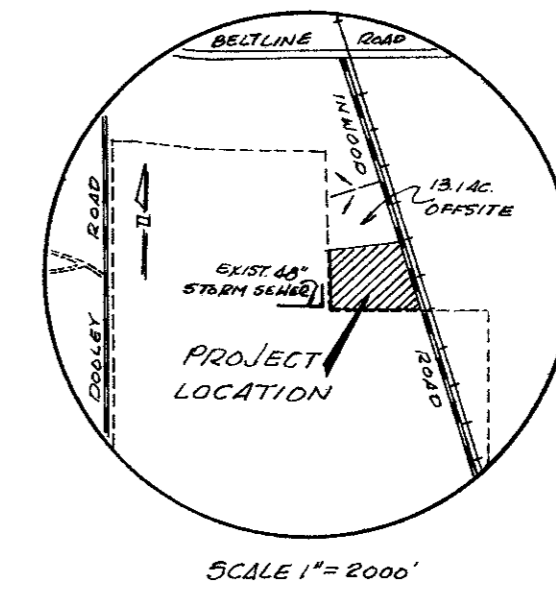


CITY OF ADDISON
APPROVED
 FOR CONSTRUCTION
 BUILDING DEPARTMENT
 DATE: 4-2-77

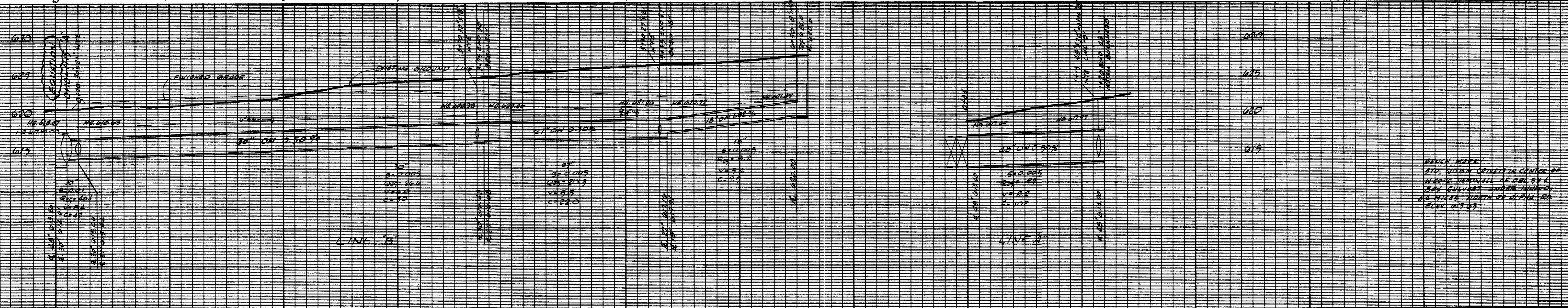
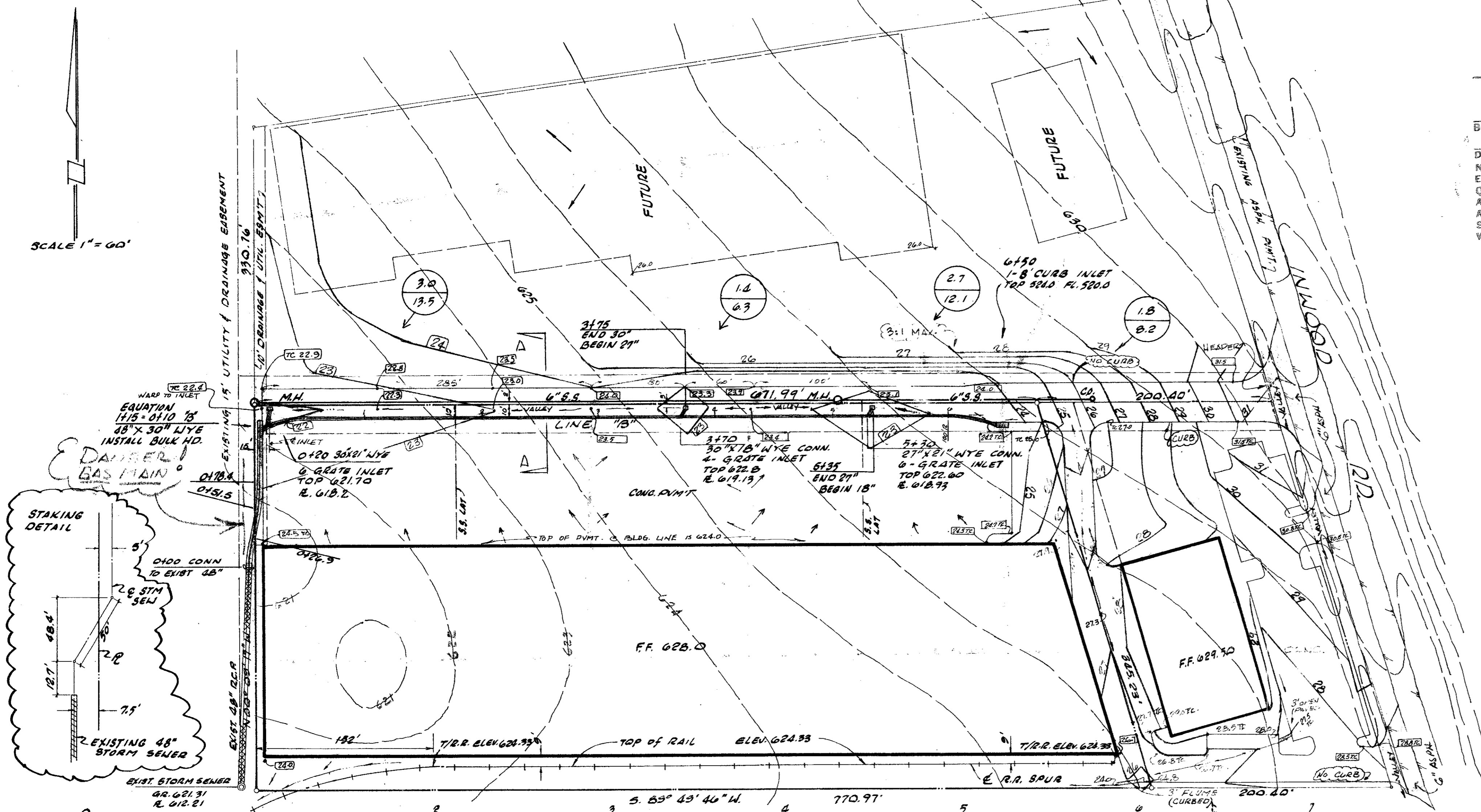
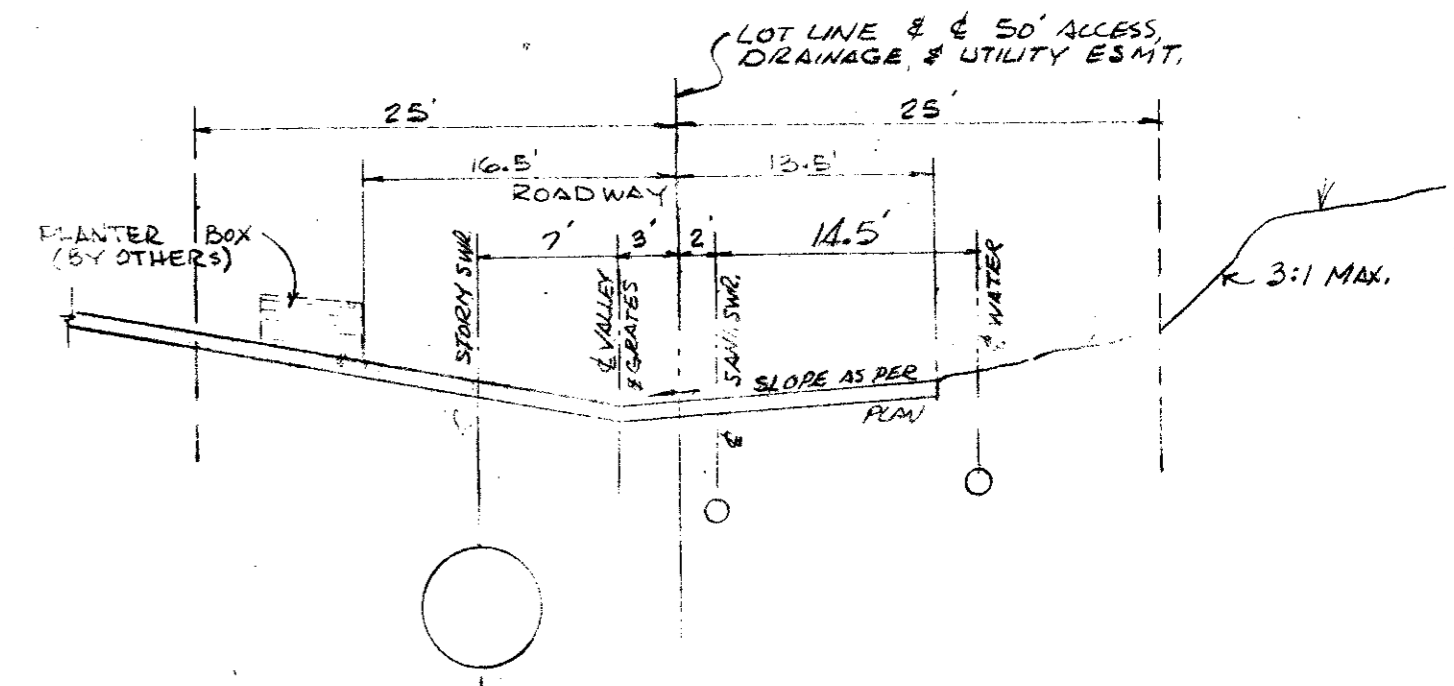
NOTE: CONTRACTOR IS HEREBY INSTRUCTED TO EXERCISE CARE IN MEETING OR EXCEEDING ALL REQUIREMENTS OF BOTH NATIONAL AND LOCAL CODES AND FOR ORDINANCES APPLICABLE TO HIS WORK. APPROVAL OF THESE DRAWINGS SHALL NOT BE CONSTRUED TO RELIEVE RESPONSIBILITY OR IMPLY VARIANCE TO SUCH CODES.



NOTE: ALL STORM SEWER PIPE SHALL BE CLASS III R.C.P. USE CRUSHED ROCK BEDDING WHERE ROCK IS ENCOUNTERED.

OFF SITE DRAINAGE & VICINITY MAP

25 YEAR STORM
 C=0.7 (LIGHT INDUSTRIAL)
 I=0.69 IN/HR. (10 MIN. CONCENTRATION)
 Q=4.5 C.F.S./AC



BENCH MARK
 STD. WOOD CRINETS IN CENTER OF
 N LONG HEADWALL OF OLD EX-1
 BOX CULVERT UNDER INWOOD
 DR. W/ES. NORTH OF DEP. RD.
 ELEV. 623.63

GRADING & DRAINAGE PLAN						
INWOOD PARK NORTH						
DNL - MAC DEVELOPMENT CO.						
CITY OF ADDISON, TEXAS						
MAYES & BROCKETTE - ENGINEERS						
DESIGN	DRAWN	DATE	SCALE	NOTES	FILE	NO.
JRD	NALR	3-3-77	1"=60' HORIZ 1"=6' VERT	WEST	C7711	

D.L. MAC
 DEVELOPMENT CO.
 APR. 6 1977

Revised 4-2-77