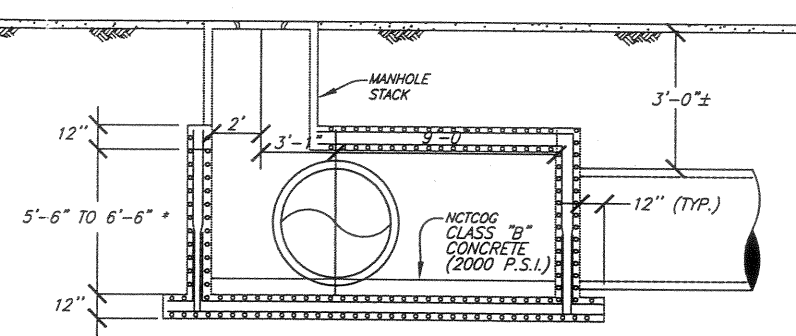
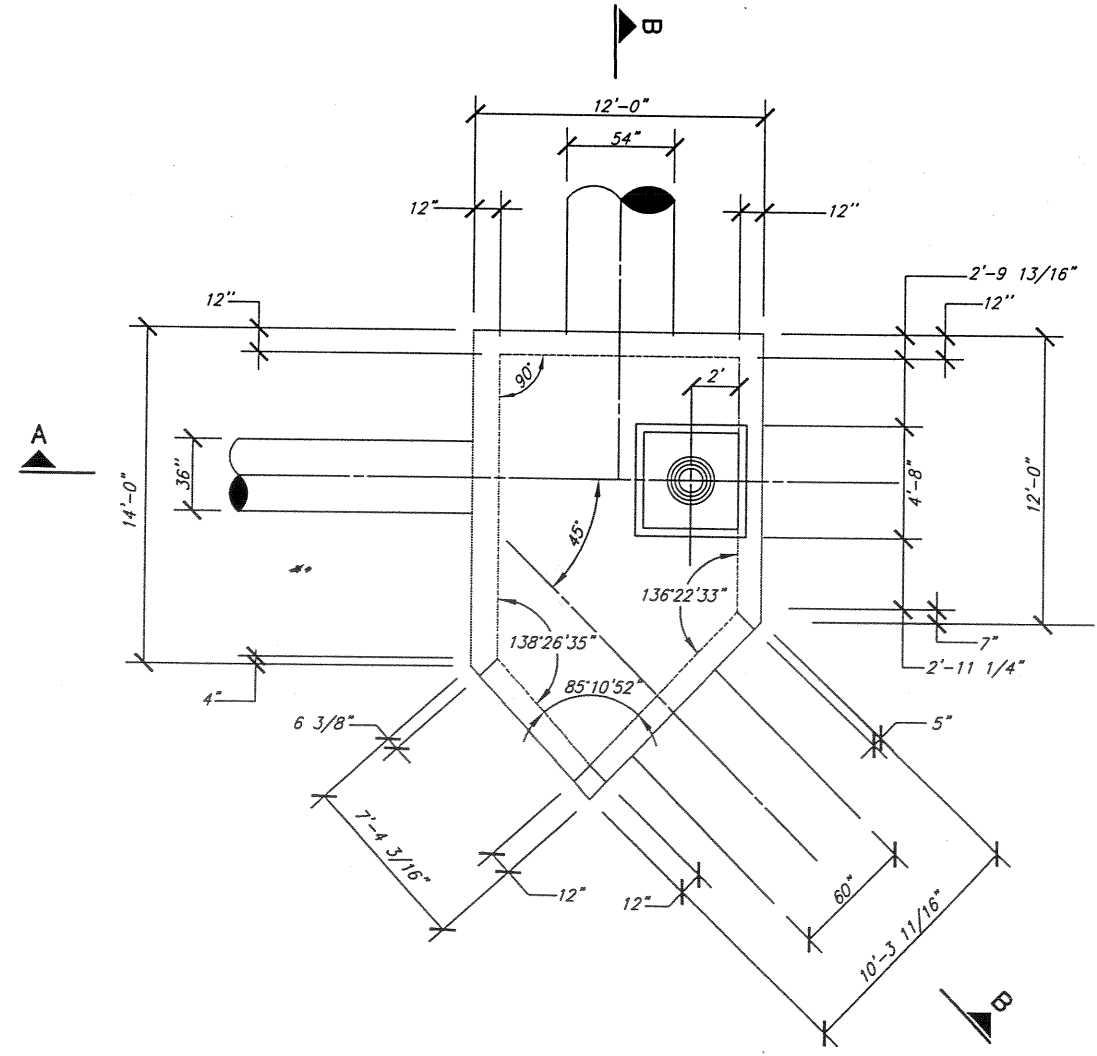
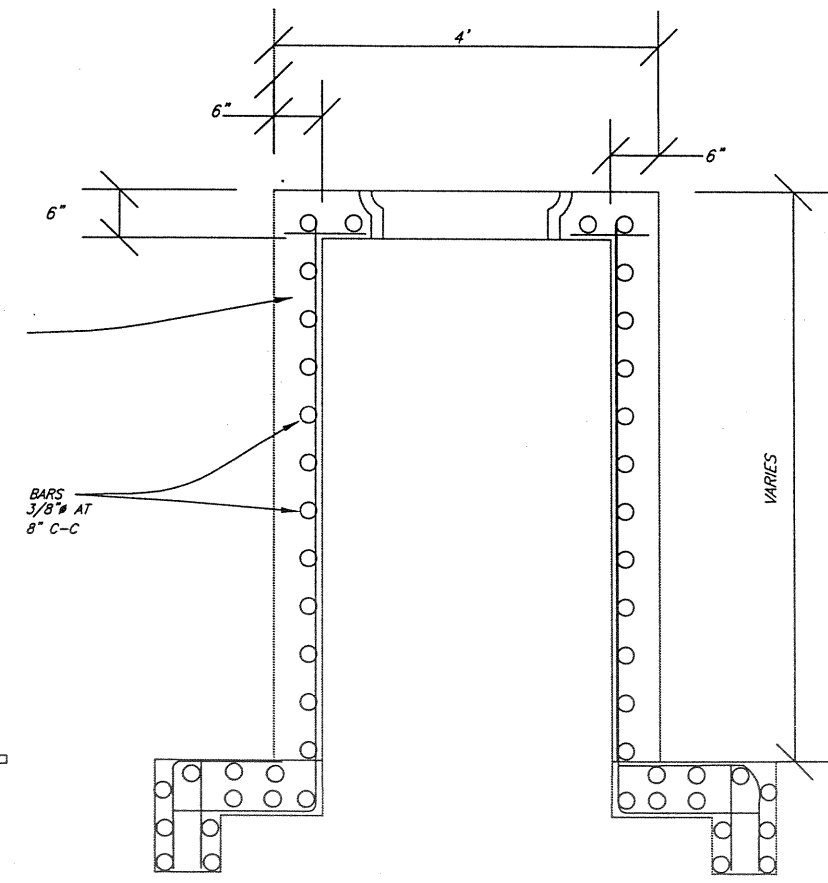


SECTION OF FRAME AND COVER SECTION A-A INLET FRAME AND COVER
 BASS & HAYS COVER 55#, FRAME 45# OR EQUAL
 (MH-COV4)



* DETERMINE HEIGHT IN FIELD

NOTE: SEE SECTION A-A FOR REINFORCING INFORMATION

TENSION BAR LAP SPLICE TABLE

BAR SIZE	TOP BARS		OTHER BARS	
	BASIC LAP SPLICE (INCHES)	BAR SPACED ≥ 6" (INCHES)	BASIC LAP SPLICE (INCHES)	BAR SPACED ≥ 6" (INCHES)
#3	21	17	15	12
#4	29	23	20	16
#5	36	29	26	20
#6	43	34	31	24

THESE DOCUMENTS ARE FOR BIDDING, CONSTRUCTION AND PERMITS PURPOSES.
 DATE: 4/21/00



TOWN OF ADDISON, TEXAS

STORM SEWER JUNCTION BOX

SHIMEK, JACOBS & FINKLEA, L.L.P.
 CONSULTING ENGINEERS
 Dallas, Texas

APRIL, 2000

JUNCT-BOX-45.DWG

DATE: APRIL, 2000 MWC SCALE: 1/8"=1'