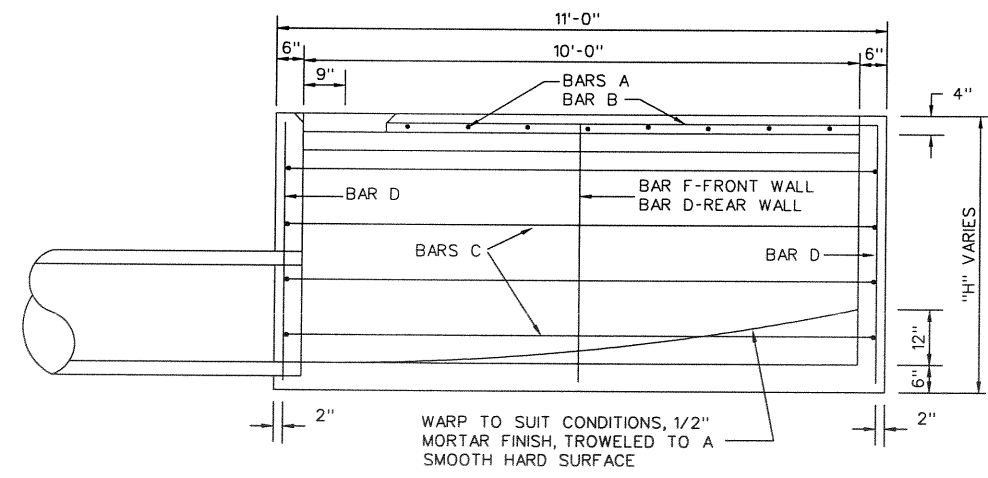


REINFORCING STEEL AND CONCRETE (RECESSED CURB INLET)

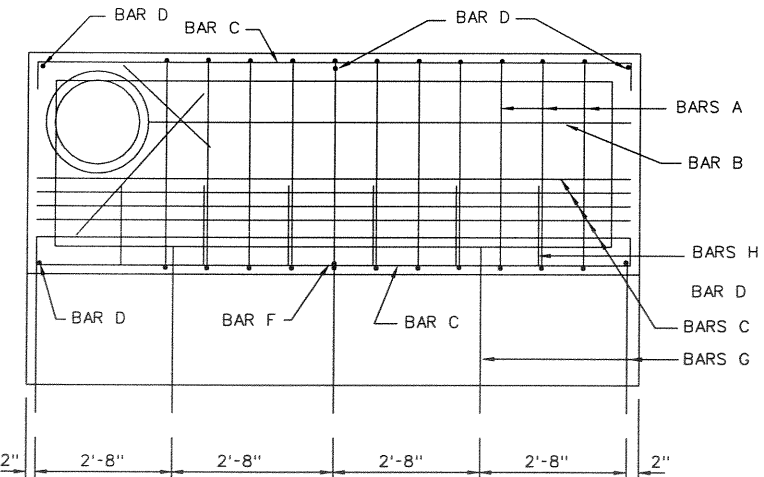
INLET SIZE	STEEL																								TOTALS		5" 110*										
	BARS A 9" CC				BARS B				BARS C 12" CC				BARS D				BARS F				BARS G				BARS H 18" CC				REINF. (LBS)	CONC. (CY)							
LEN	DEPTH	NO.	SIZE	LEN	WT	NO.	SIZE	LEN	WT	NO.	SIZE	LEN	WT	NO.	SIZE	LEN	WT	NO.	SIZE	LEN	WT	NO.	SIZE	LEN	WT	NO.	SIZE	LEN	WT	NO.	SIZE	LEN	WT	REINF. (LBS)	CONC. (CY)		
10'	4'-6"	14	*3	3'-3"	17	1	*3	8'-10"	3	12	*4	11'-8"	94	5	*4	4'-8"	16	1	*4	3'-6"	2	5	*3	3'-0"	6											138	3.36
	5'-0"	14	*3	3'-3"	17	1	*3	8'-10"	3	14	*4	11'-8"	109	5	*4	5'-2"	17	1	*4	4'-0"	3	5	*3	3'-0"	6											155	3.60
	5'-6"	14	*3	3'-3"	17	1	*3	8'-10"	3	14	*4	11'-8"	109	5	*4	5'-8"	19	1	*4	4'-6"	3	5	*3	3'-0"	6											157	3.84
10'	4'-6"	14	*3	3'-3"	17	1	*3	8'-10"	3	15	*4	11'-8"	117	5	*4	4'-8"	16	1	*4	3'-6"	2	5	*3	3'-0"	6	6	*3	2'-7"	6	6	*3	2'-7"	6	6	167	3.42	
	5'-0"	14	*3	3'-3"	17	1	*3	8'-10"	3	17	*4	11'-8"	132	5	*4	5'-2"	17	1	*4	4'-0"	3	5	*3	3'-0"	6	6	*3	2'-7"	6	6	*3	2'-7"	6	6	184	3.66	
	5'-6"	14	*3	3'-3"	17	1	*3	8'-10"	3	17	*4	11'-8"	132	5	*4	5'-8"	19	1	*4	4'-6"	3	5	*3	3'-0"	6	6	*3	2'-7"	6	6	*3	2'-7"	6	6	186	3.90	

\* FOR CONTRACTOR'S INFORMATION ONLY

SECTION A - A



SECTION B - B



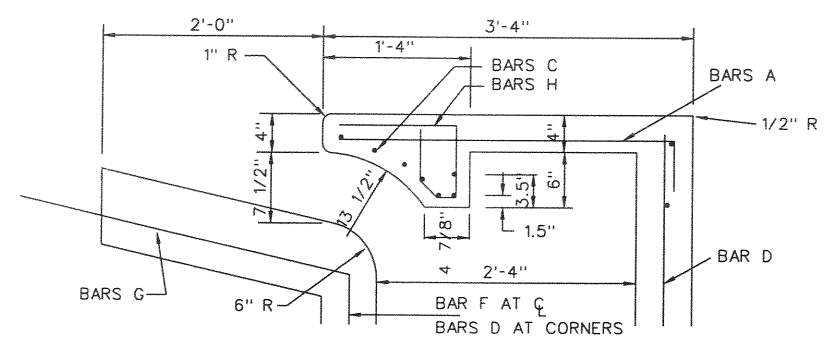
REINFORCING PLAN ALTERNATE

CONCRETE TO BE DEDUCTED FOR PIPE

PIPE SIZE	CONC. CY
18"	0.05
21"	0.07
24"	0.09
27"	0.11
30"	0.14
36"	0.17

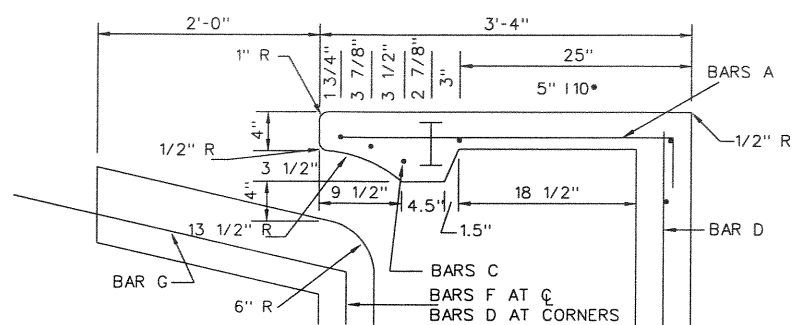
GENERAL NOTES :

- ALL CONCRETE SHALL BE 3000 PSI.
- LATERAL PIPE MAY ENTER THE INLET AT ANY LOCATION.
- THE 24" GUTTER IN THE FRONT OF THE INLET IS CONSIDERED PART OF THE INLET AND SHALL BE CONSTRUCTED WITH THE INLET.
- THE TOP OF INLET CROSS SLOPE SHALL CONFORM TO THE ADJACENT PARKWAY (2%).
- THE DIMENSIONS RELATING TO THE REINFORCING STEEL ARE TO THE CENTER OF THE BARS.
- FOR INLETS WITH A DEPTH LESS THAN 4' - 6", THE CONTRACTOR SHALL MODIFY THE LENGTH OF STEEL BARS.



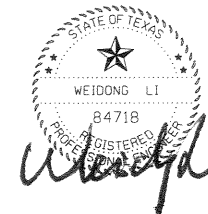
SECTION D - D ALTERNATE

SEE STANDARD SECTION D-D AT RIGHT



SECTION D - D

STANDARD INLET



7-20-01

DRAINAGE DETAILS  
 LANDMARK EXTENSION  
 INLET DETAILS  
 DEPARTMENT OF PUBLIC WORKS  
 TOWN OF ADDISON, TEXAS

DESIGN	DRAWN	DATE	SCALE	NOTES	FILE	NUMBER
P.G.W.	C.W.W.	2/00	N.T.S.	AS BUILT		20