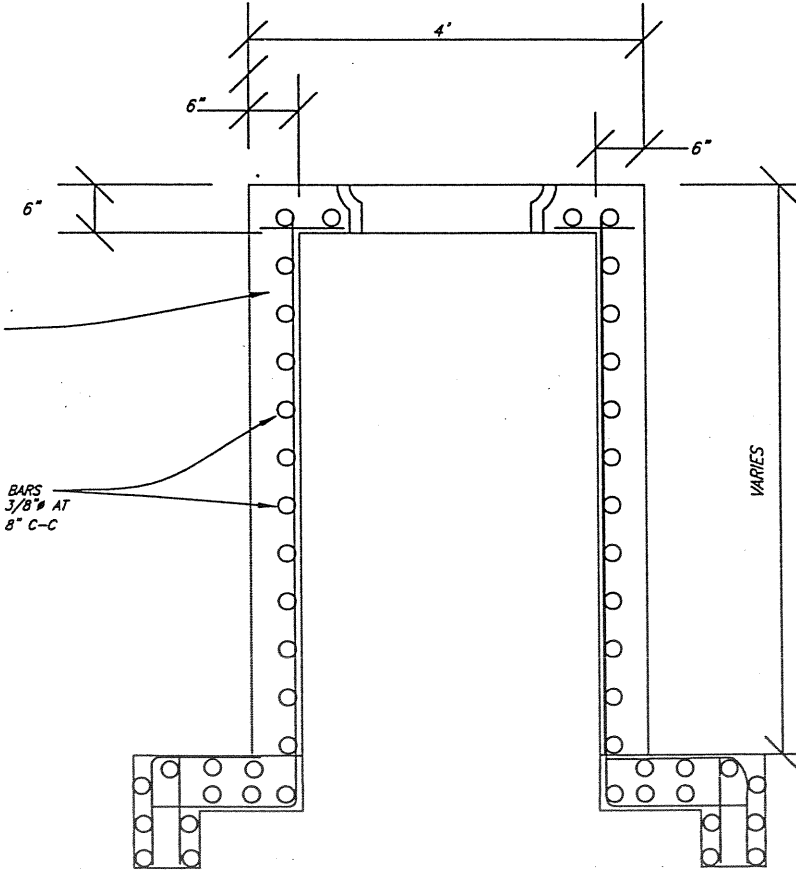
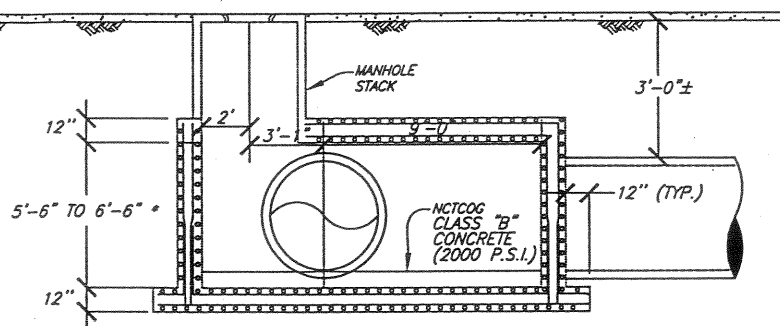


SECTION OF FRAME AND COVER SECTION A-A
INLET FRAME AND COVER
BASS & HAYS COVER 55#, FRAME 45# OR EQUAL
(MH-COV4)



These plans and related specifications were prepared for construction of this specific project only. Reuse of these documents is not permitted without written authorization of Shimek, Jacobs & Finklea, L.L.P.

Sheet 26

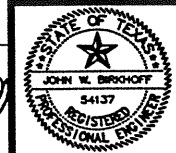
TENSION BAR LAP SPUCE TABLE

BAR SIZE	TOP BARS		OTHER BARS	
	BASIC LAP SPUCE (INCHES)	BARS SPACED ≥ 6" (INCHES)	BASIC LAP SPUCE (INCHES)	BARS SPACED ≥ 6" (INCHES)
#3	21	17	15	12
#4	29	23	20	16
#5	36	29	26	20
#6	43	34	31	24

NOTE: SEE SECTION A-A FOR REINFORCING INFORMATION

THESE DOCUMENTS ARE FOR BIDDING, CONSTRUCTION AND PERMITS PURPOSES ONLY.

DATE: 4/21/00



TOWN OF ADDISON, TEXAS

STORM SEWER JUNCTION BOX

SHIMEK, JACOBS & FINKLEA, L.L.P.
CONSULTING ENGINEERS
Dallas, Texas

APRIL, 2000

JUNCT-BOX-45.DWG