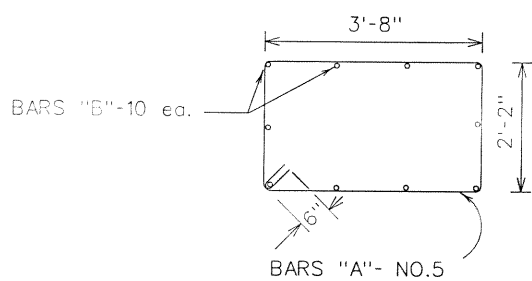
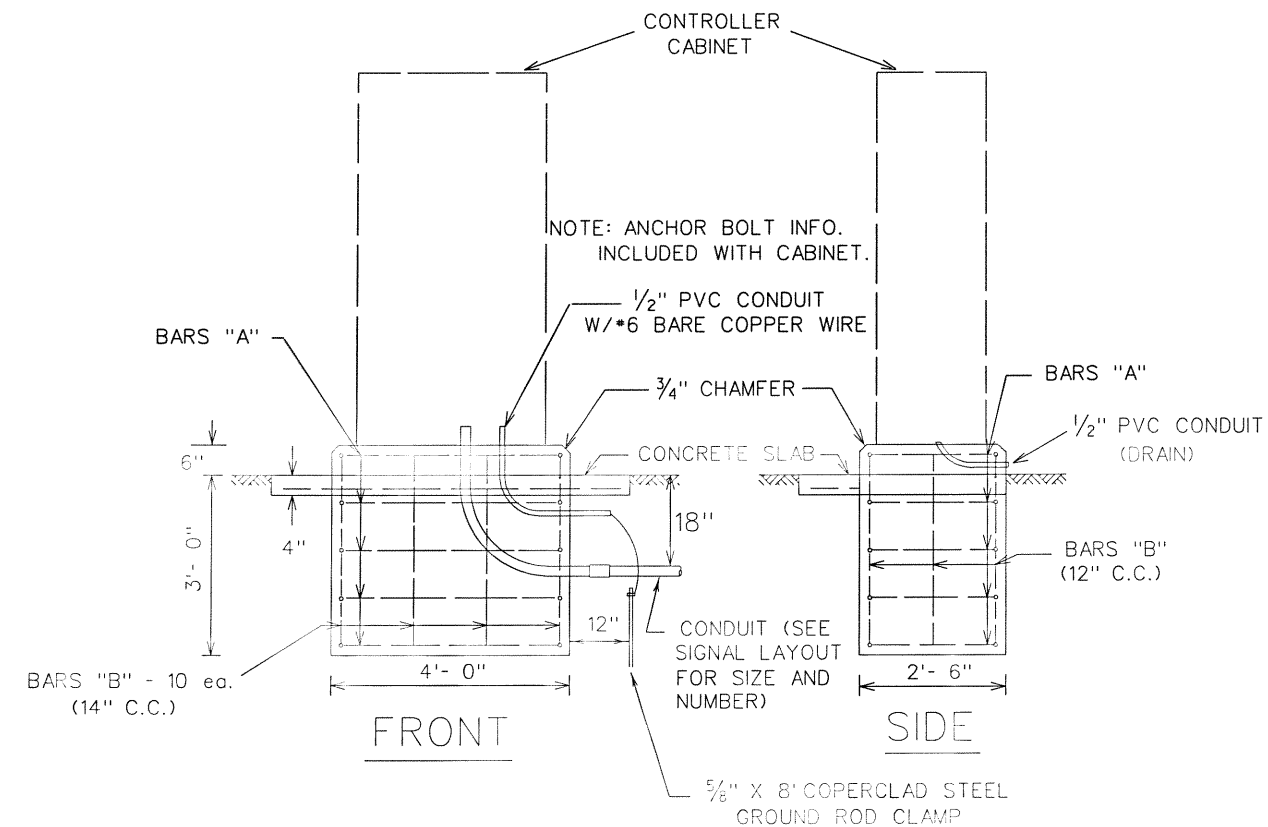


TOP

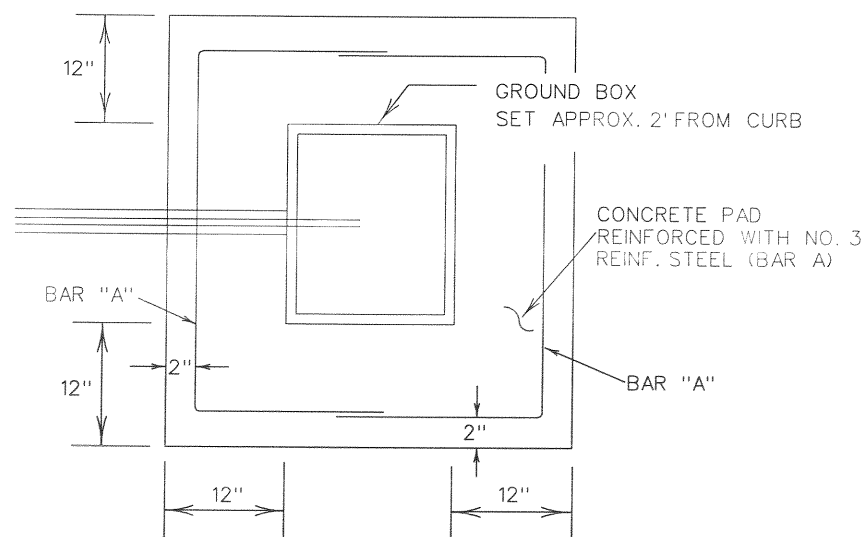


BAR	NO. BARS	SIZE	LENGTH	SPACING
A	6	5	12'-8"	9.5" C.C.
B	10	5	3'-2"	VAR.
C	2	3	4'-8"	16.5" C.C.
D	2	3	5'-8"	18" C.C.
E	3	3	2'-8"	16.5" C.C.
F	4	3	1'-2"	18" C.C.

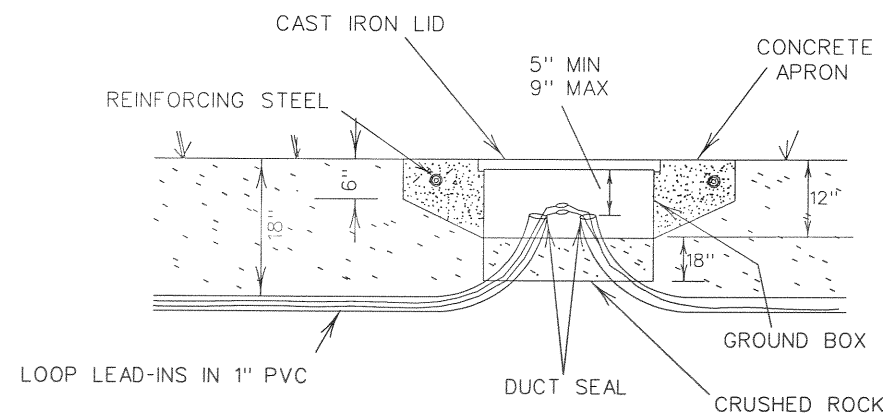
PROVIDE 2" MIN. COVER FOR TOP AND SIDES



CONTROLLER FOUNDATION DETAILS



PLAN



ELEVATION

GROUND BOX INSTALLATION DETAILS

SIGNAL DESIGN						
QUORUM - INWOOD CONNECTOR						
CONTROLLER FOUNDATION/GROUND BOX INSTALLATION						
DEPARTMENT OF PUBLIC WORKS						
TOWN OF ADDISON, TEXAS						
DESIGN	DRAWN	DATE	SCALE	NOTES	FILE	NUMBER
P.G.W.	C.W.W.	2/00		AS BUILT		43

7/20/01
 Alan P. McNeil
 REGISTERED PROFESSIONAL ENGINEER
 69951