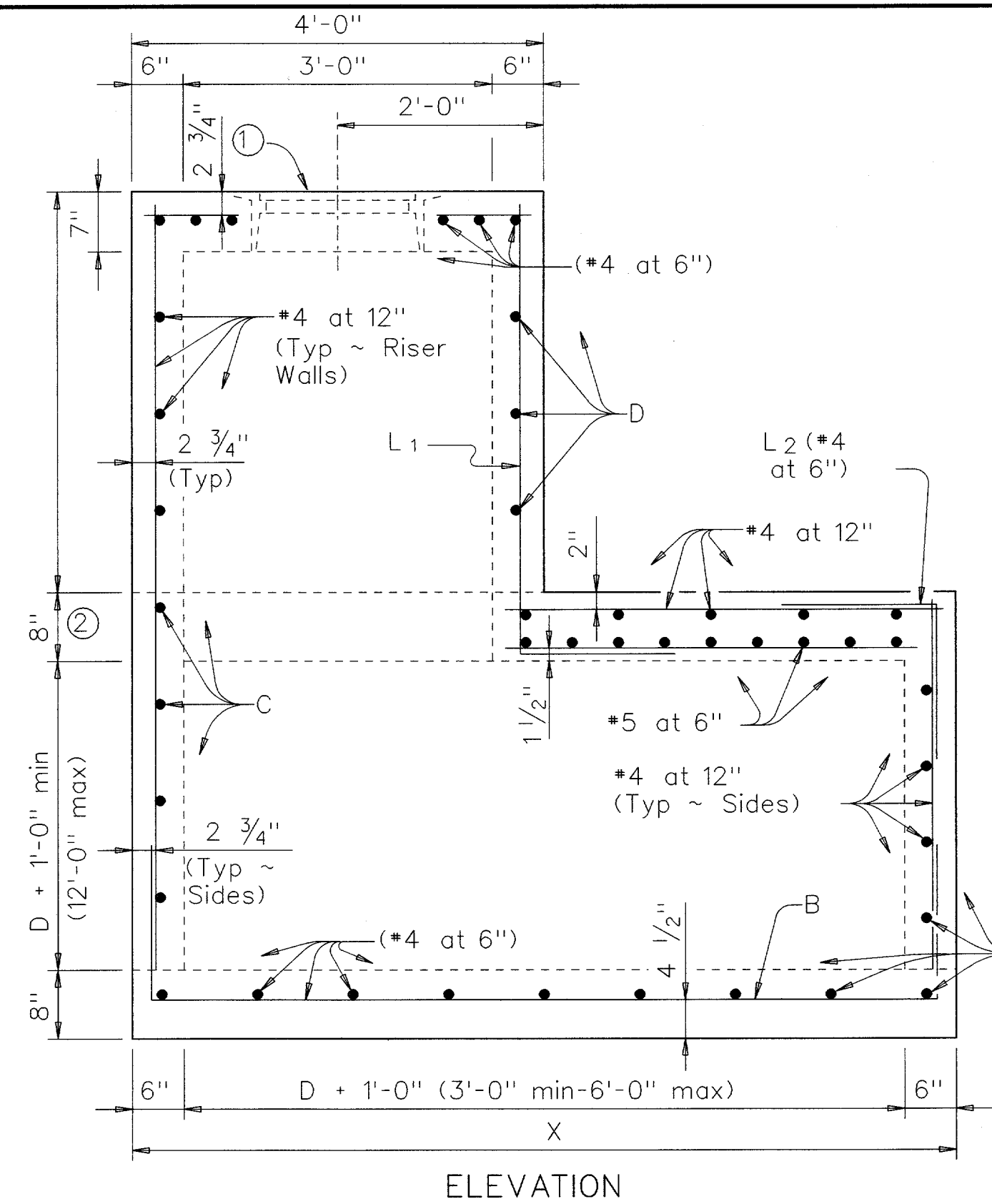


DISCLAIMER: The use of this standard is governed by the "Texas Engineering Practice Act". No warranty of any kind is made by TxDOT for any purpose whatsoever. TxDOT assumes no responsibility for the conversion of this standard to other formats or for incorrect results or damages resulting from its use.

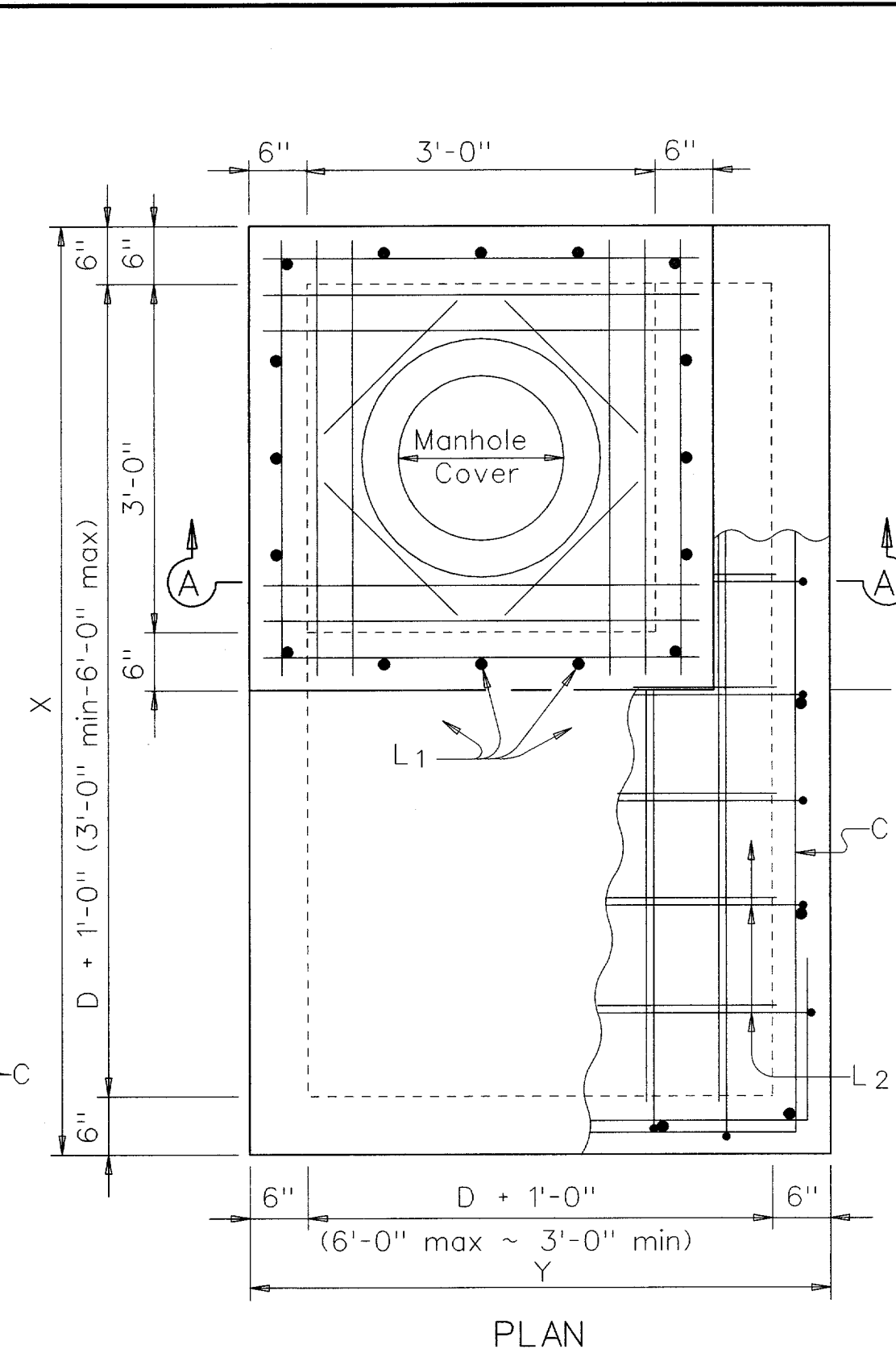
(LV-1.2 for English)

LEVELS DISPLAYED	
1	
2	
3	
4	
5	
6	
7	
8	
9	
10	
11	
12	



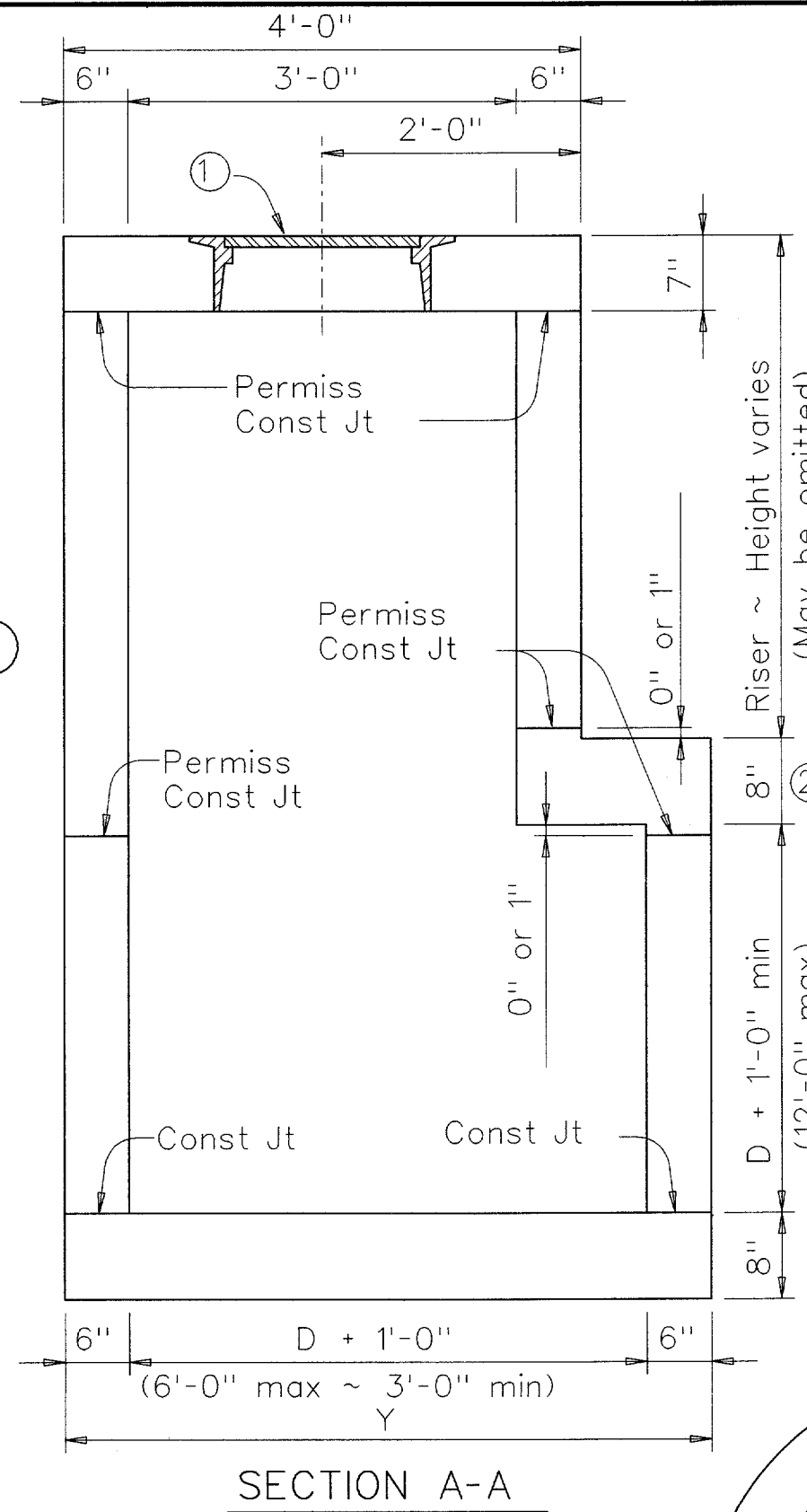
ELEVATION

D = maximum inside diameter of any Pipe entering the side shown or the opposite side

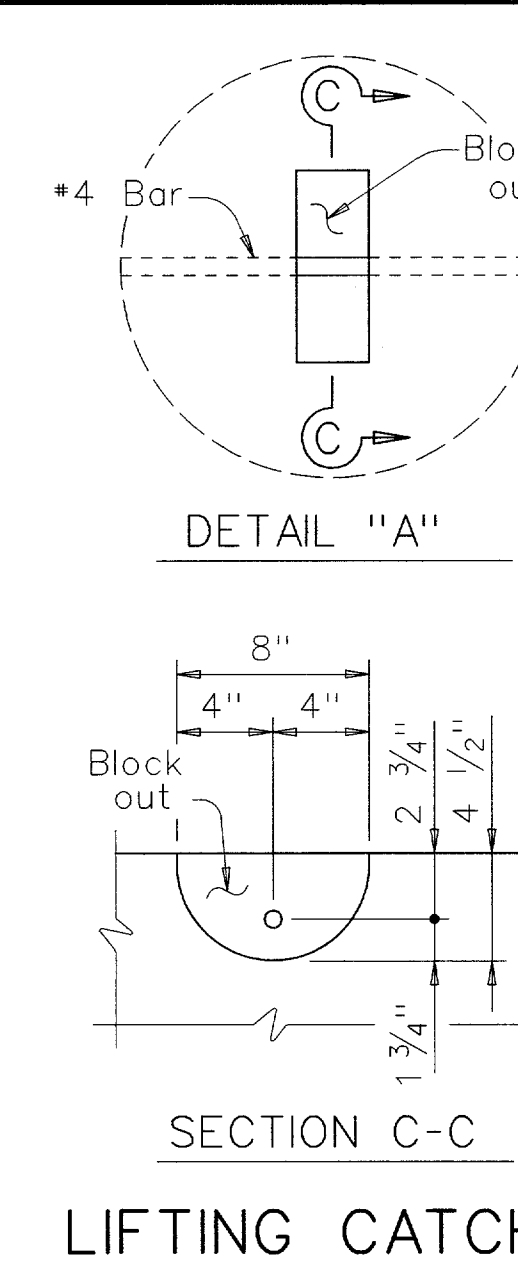


PLAN

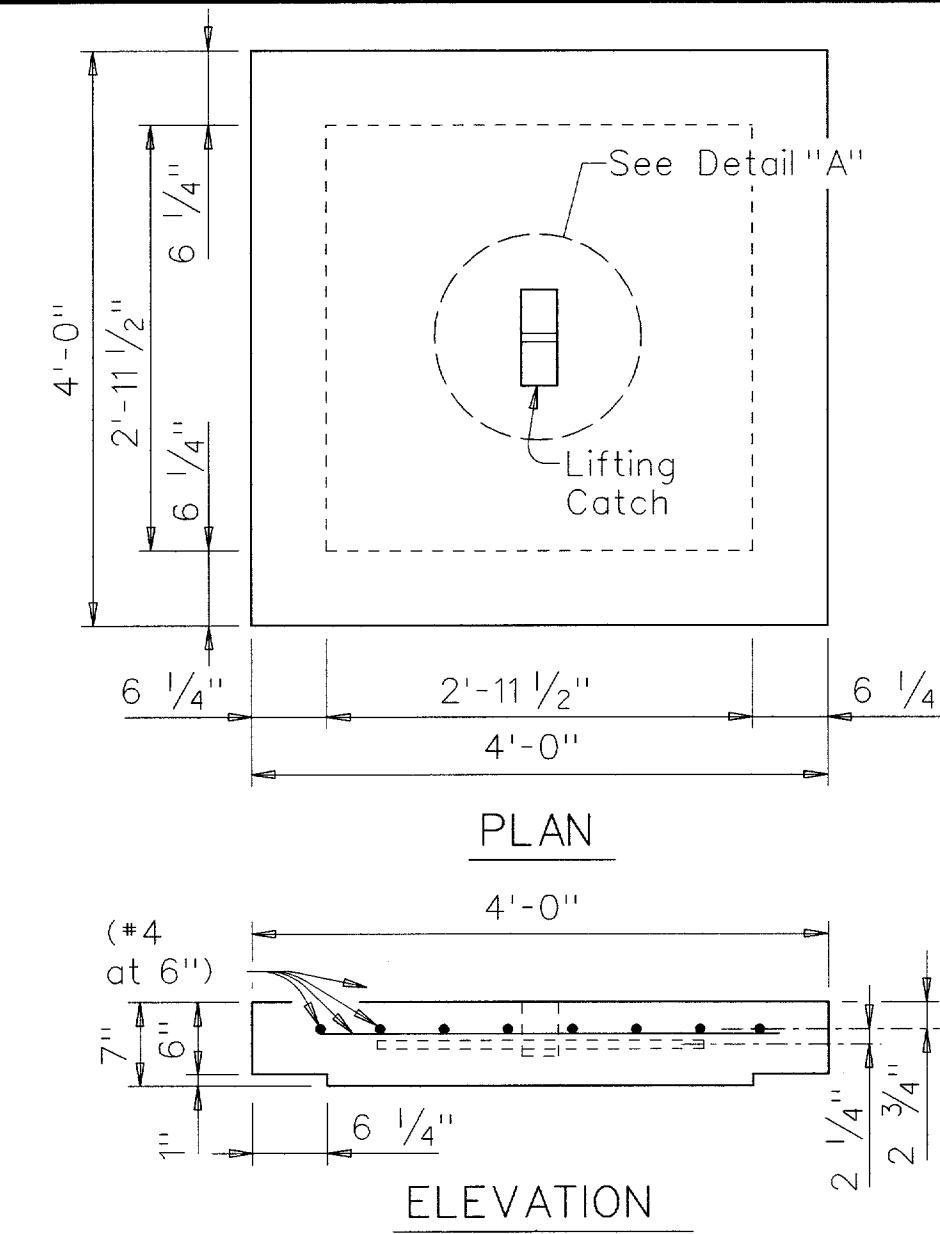
MANHOLE WITH CAST-IN-PLACE RISER



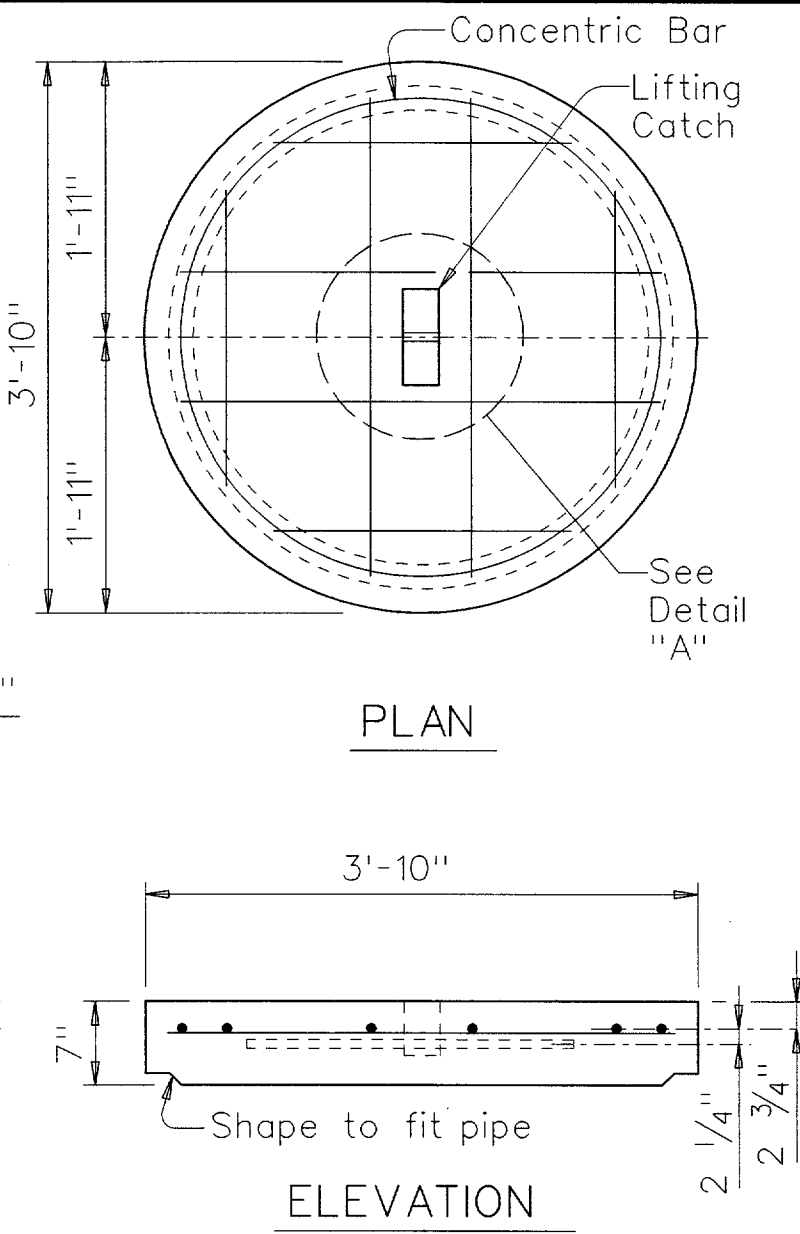
SECTION A-A



LIFTING CATCH

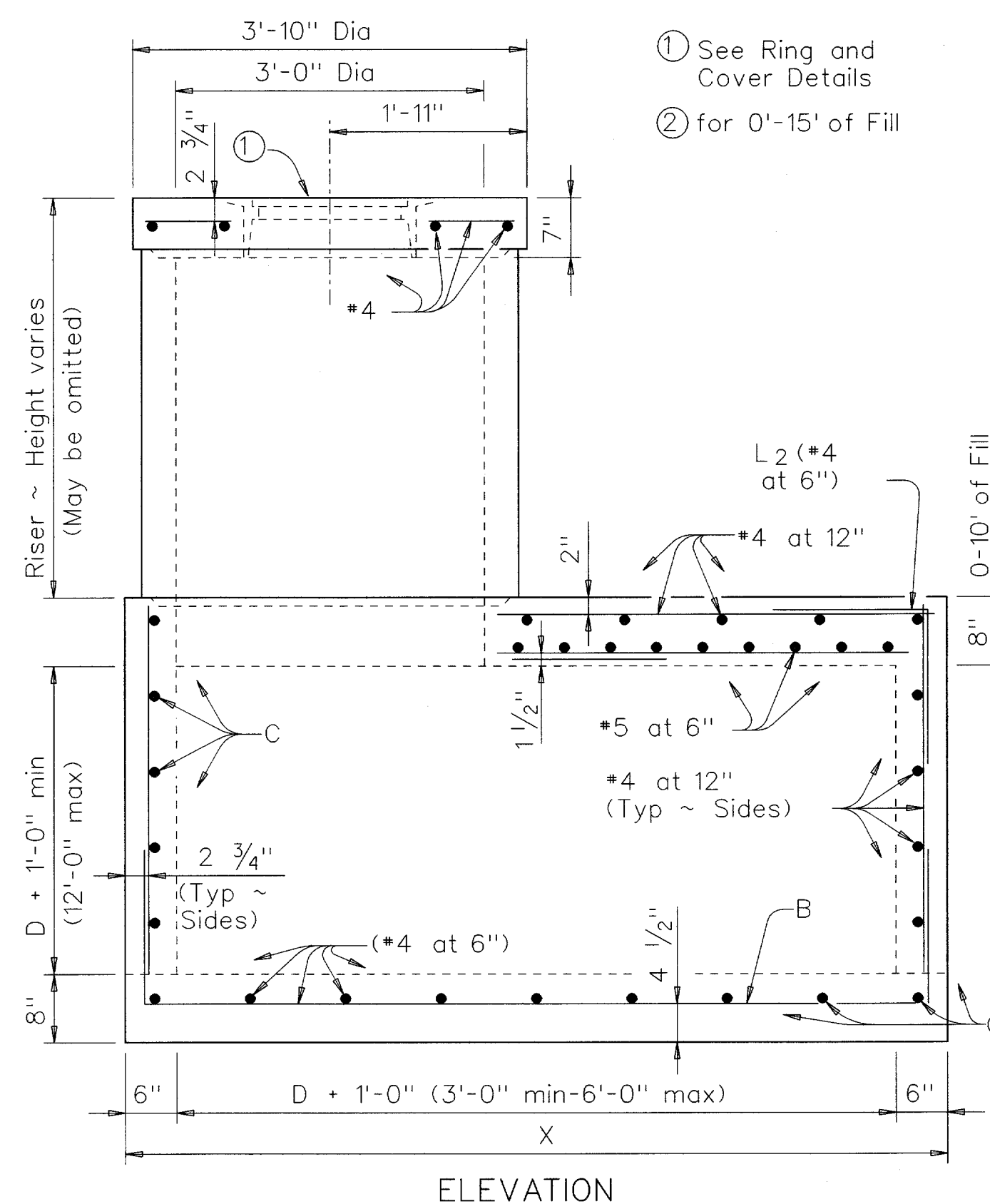


CAST-IN-PLACE RISER COVER



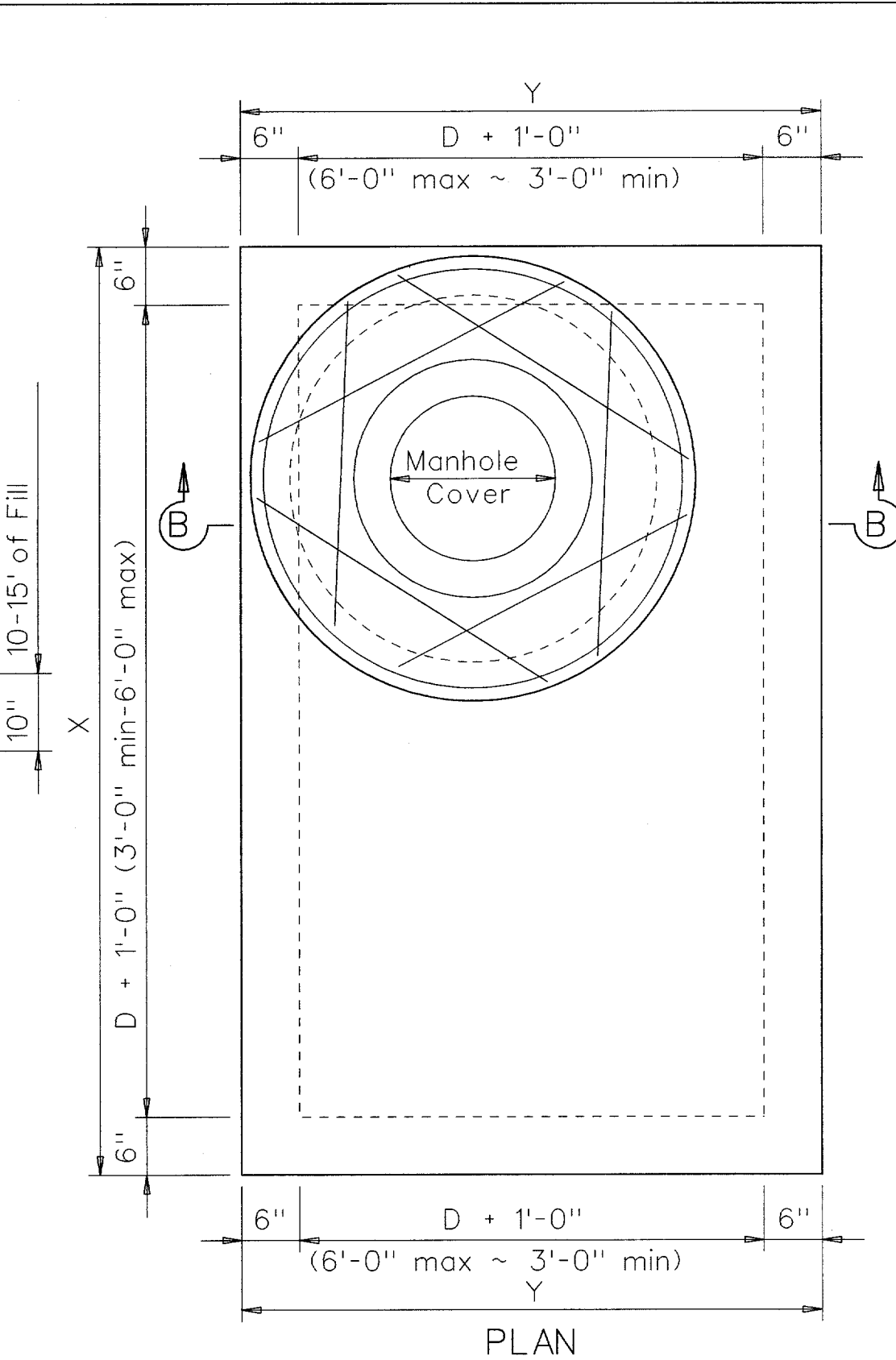
CONCRETE PIPE RISER COVER

OPTIONAL PRECAST CONCRETE LIFT-OFF COVERS



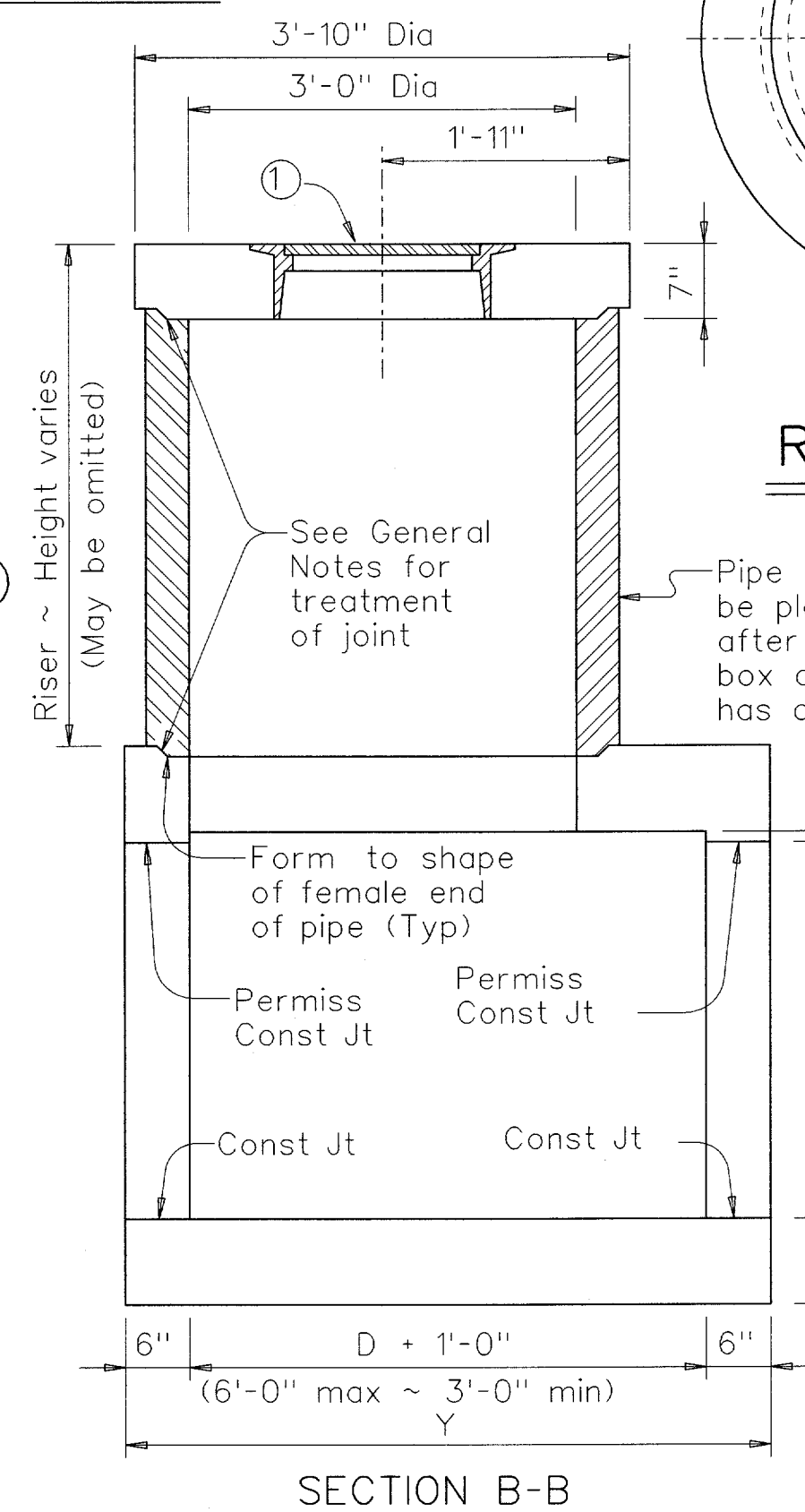
ELEVATION

D = maximum inside diameter of any Pipe entering the side shown or the opposite side

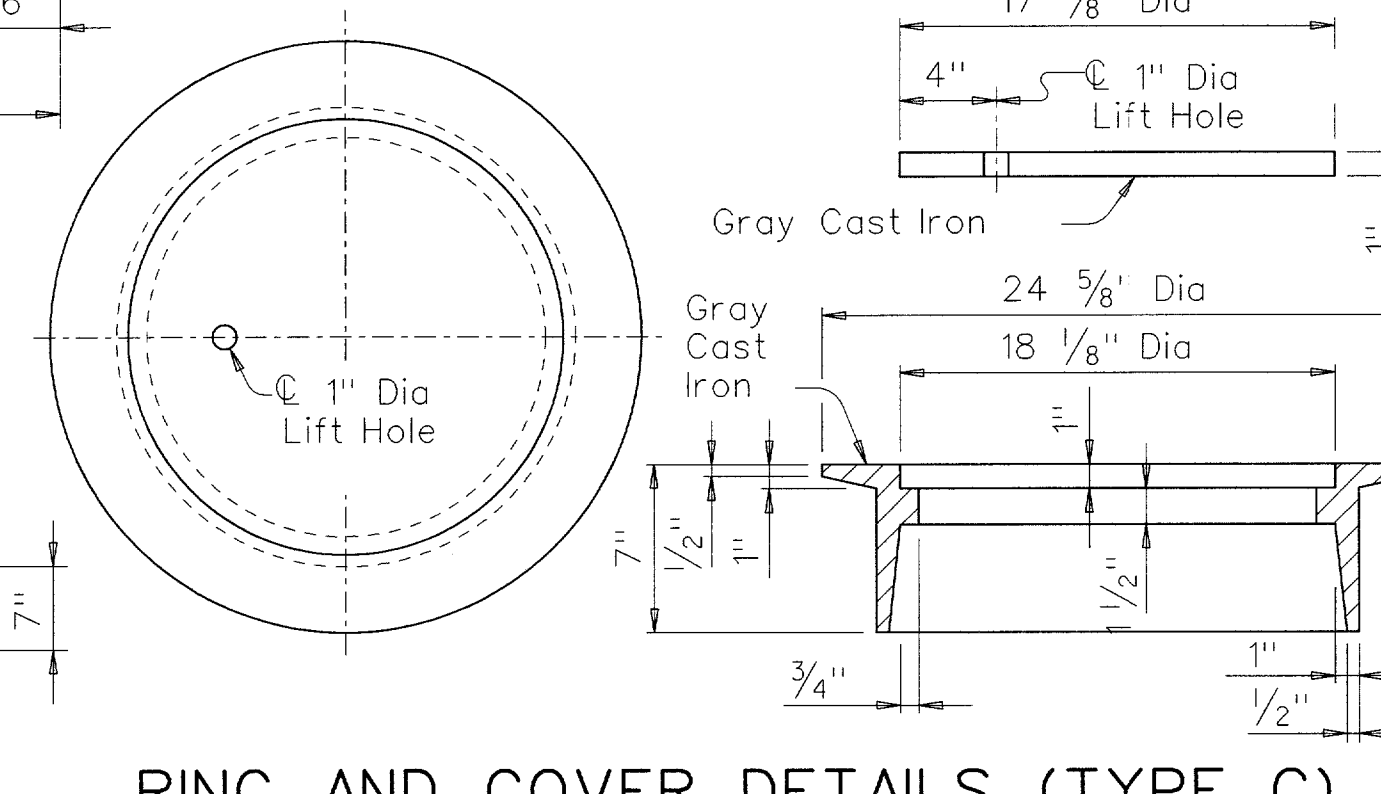


PLAN

OPTIONAL MANHOLE WITH CONCRETE PIPE RISER

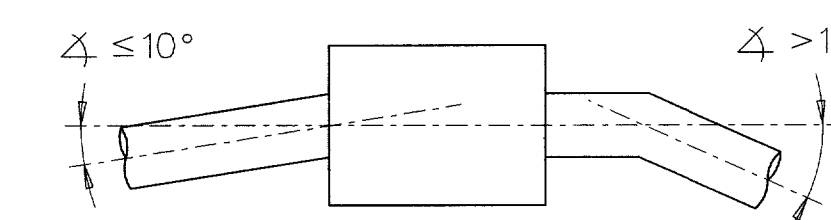


SECTION B-B



RING AND COVER DETAILS (TYPE C)

Approximate Weight = 200 lb  
 Rings and covers of slightly different dimensions but approximately the same weight may be substituted if approved by the Engineer.

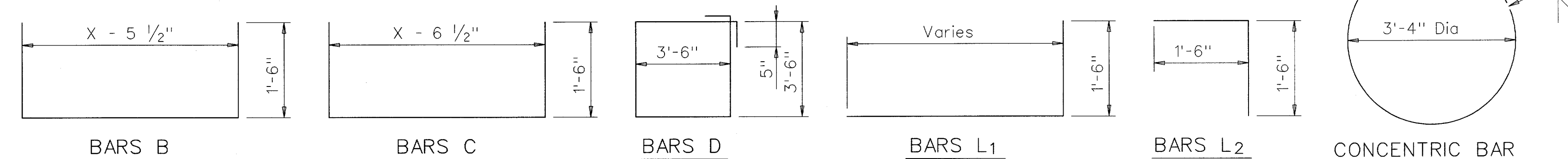


PIPE CONNECTION DETAIL

Connecting pipes should enter within 10° of normal to inlet wall. If necessary, pipe elbow or curved approach alignment should be used to stay within this limit.

GENERAL NOTES:

Unless otherwise shown in the plans, payment will be made for each manhole of the Type M. Exposed edges shall be chamfered 3/4". Alternate design drawings bearing the seal of a registered professional engineer will be acceptable for precast construction of the manholes. Shop drawings will not be required. The Contractor may with the approval of the Engineer furnish manholes of equivalent structural design. In areas of conflict between reinforcing steel, blockouts, pipes, anchor bolts or other reinforcing steel, the reinforcement shall be bent or adjusted to clear as directed by the Engineer. The riser may be constructed of reinforced concrete as shown or of Reinforced Concrete Pipe, Class III, in accordance with ASTM Designation C-76. If pipe is used, joints shall conform to the Item "Reinforced Concrete Pipe Culverts". Precast Concrete Lift Off Cover may be substituted for "Ring and Cover". The riser, either cast-in-place or concrete pipe, may be located in any corner. All reinforcing steel shall be #4 unless otherwise noted. Pipes may enter any or all walls. The maximum size of pipe that can be accommodated is 60". More than one pipe may enter a side, subject to the maximum box dimension shown. The clear distance between adjacent pipes should be 9" minimum.



Texas Department of Transportation  
 Design Division (Bridge)

**MANHOLE TYPE M**  
 (JUNCT ON BOX WITH ACCESS)

**MH-M**

FILE: mh-mestd.dgn	DN: TxDOT	CK: TER	DW: MCB	CK: TER	STD: B483
ORIG DATE: SEPTEMBER 1996	DIST	FED REG	FEDERAL AID PROJECT	SHEET	
REVISIONS	6			17	
	COUNTY	CONTROL	SECT	JOB	HIGHWAY