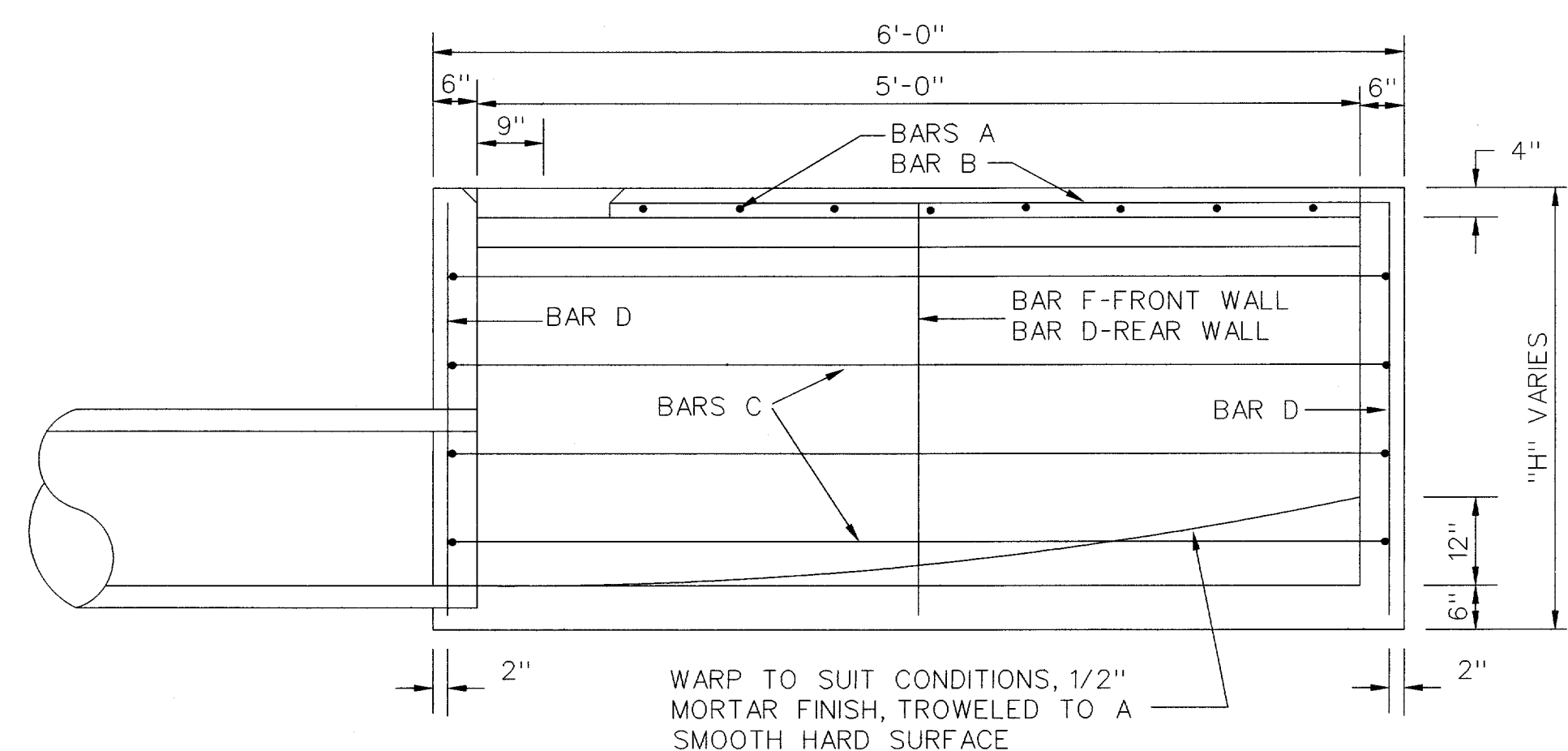


REINFORCING STEEL AND CONCRETE (RECESSED CURB INLET)

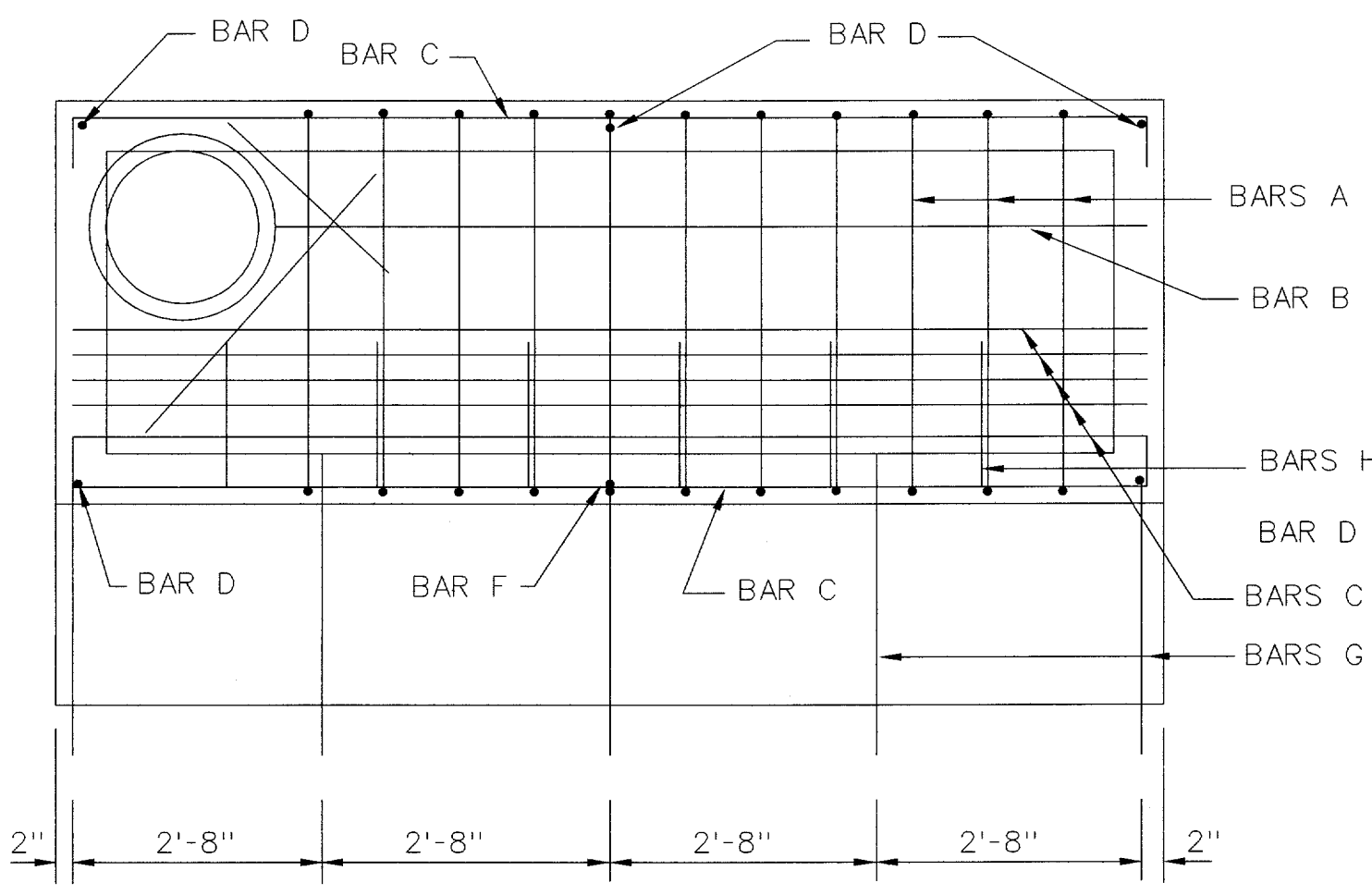
INLET SIZE	STEEL																								TOTALS		5" 110*					
	BARS A 9" CC				BARS B				BARS C 12" CC				BARS D				BARS F				BARS G				BARS H 18" CC				REIN. (LBS)	CONC. (CY)		
LEN	DEPTH	NO.	SIZE	LEN	WT	NO.	SIZE	LEN	WT	NO.	SIZE	LEN	WT	NO.	SIZE	LEN	WT	NO.	SIZE	LEN	WT	NO.	SIZE	LEN	WT	NO.	SIZE	LEN	WT			
5'	4'-6"	14	*3	3'-8"	17	1	*3	5'-8"	3	12	*4	5'-8"	94	5	*4	4'-8"	16	1	*4	3'-6"	2	5	*3	3'-8"	6					138	3.36	108*
	5'-0"	14	*3	3'-8"	17	1	*3	5'-8"	3	14	*4	5'-8"	109	5	*4	5'-2"	17	1	*4	4'-0"	3	5	*3	3'-8"	6					155	3.60	
	5'-6"	14	*3	3'-8"	17	1	*3	5'-8"	3	14	*4	5'-8"	109	5	*4	5'-8"	19	1	*4	4'-6"	3	5	*3	3'-8"	6					157	3.84	
5'	4'-6"	14	*3	3'-8"	17	1	*3	5'-8"	3	15	*4	5'-8"	117	5	*4	4'-8"	16	1	*4	3'-6"	2	5	*3	3'-8"	6	6	*3	2'-7"	6	167	3.42	108*
	5'-0"	14	*3	3'-8"	17	1	*3	5'-8"	3	17	*4	5'-8"	132	5	*4	5'-2"	17	1	*4	4'-0"	3	5	*3	3'-8"	6	6	*3	2'-7"	6	184	3.66	
	5'-6"	14	*3	3'-8"	17	1	*3	5'-8"	3	17	*4	5'-8"	132	5	*4	5'-8"	19	1	*4	4'-6"	3	5	*3	3'-8"	6	6	*3	2'-7"	6	186	3.90	

* FOR CONTRACTOR'S INFORMATION ONLY

SECTION A - A



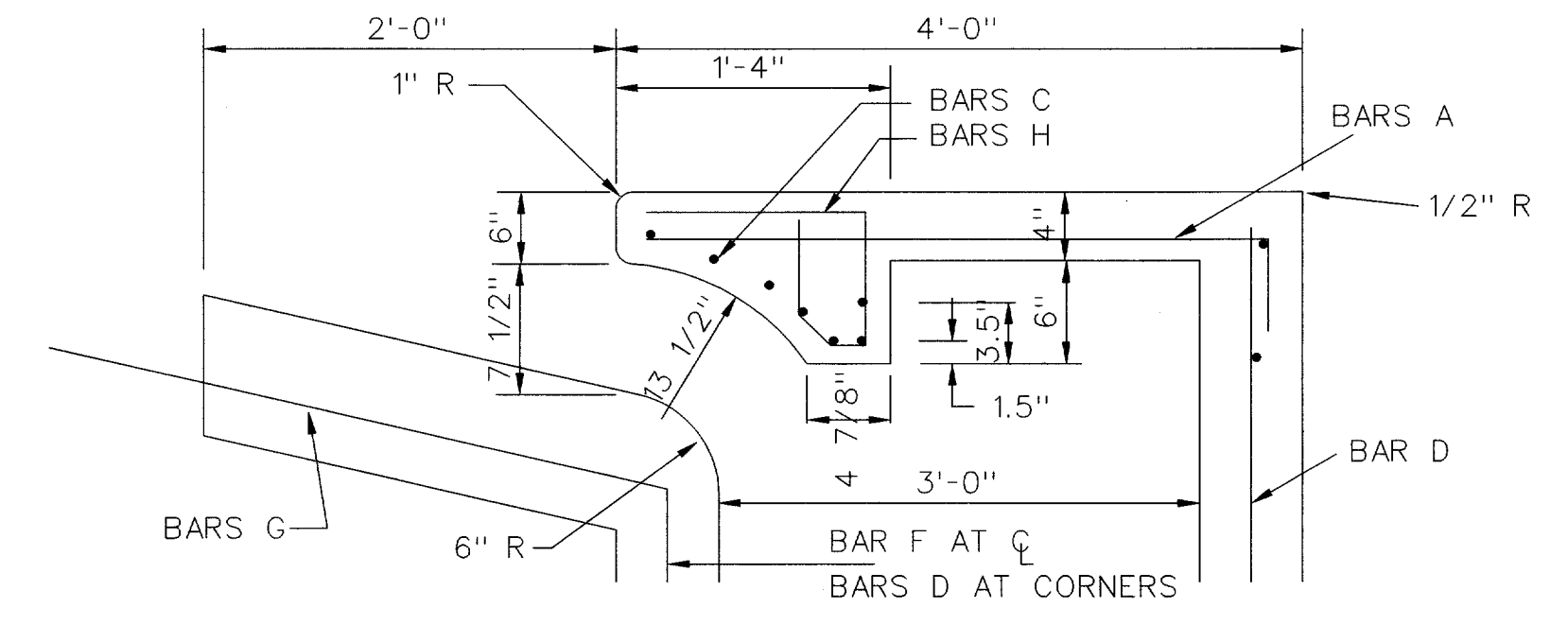
SECTION B - B



REINFORCING PLAN ALTERNATE

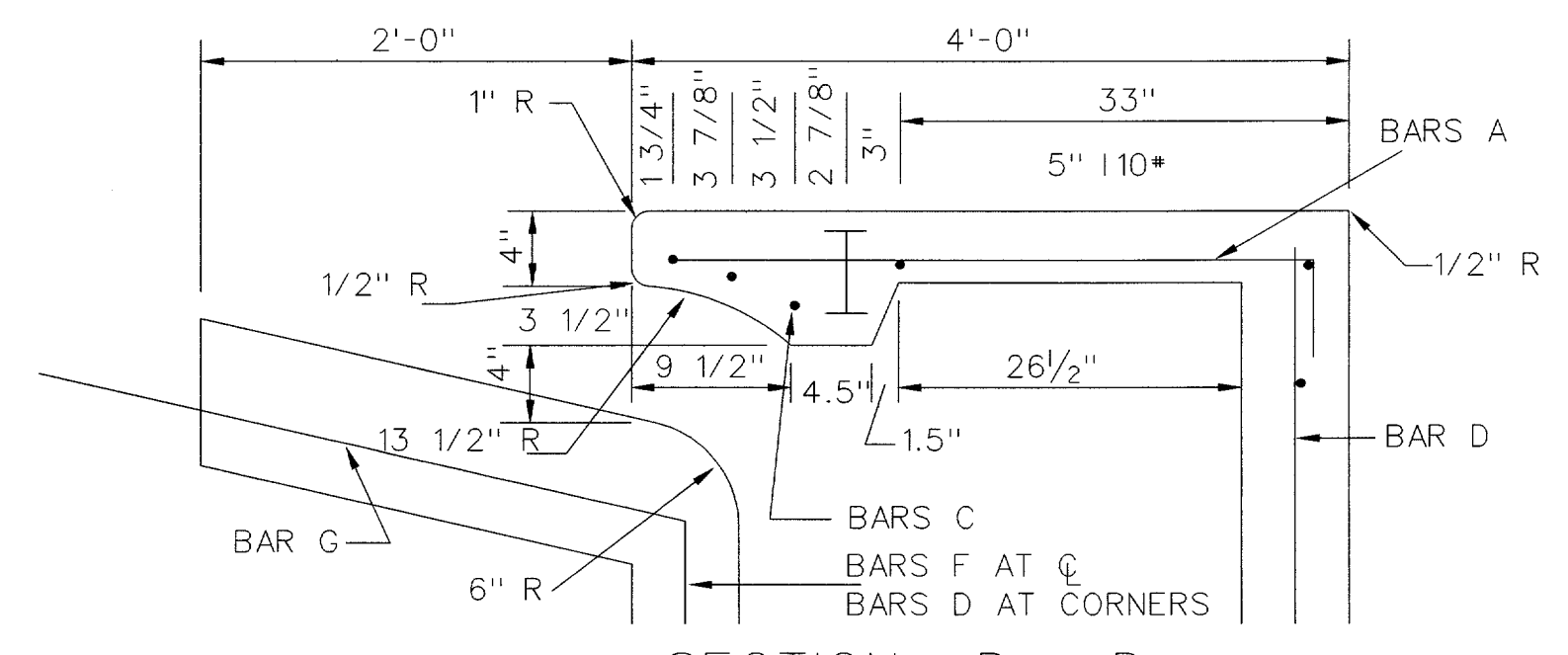
CONCRETE TO BE DEDUCTED FOR PIPE

PIPE SIZE	CONC. CY
18"	0.05
21"	0.07
24"	0.09
27"	0.11
30"	0.14
36"	0.17



SECTION D - D ALTERNATE

SEE STANDARD SECTION D-D AT RIGHT



SECTION D - D

STANDARD INLET

GENERAL NOTES :

- ALL CONCRETE SHALL BE 3000 PSI.
- LATERAL PIPE MAY ENTER THE INLET AT ANY LOCATION.
- THE 24" GUTTER IN THE FRONT OF THE INLET IS CONSIDERED PART OF THE INLET AND SHALL BE CONSTRUCTED WITH THE INLET.
- THE TOP OF INLET CROSS SLOPE SHALL CONFORM TO THE ADJACENT PARKWAY (2%).
- THE DIMENSIONS RELATING TO THE REINFORCING STEEL ARE TO THE CENTER OF THE BARS.
- FOR INLETS WITH A DEPTH LESS THAN 4' - 6", THE CONTRACTOR SHALL MODIFY THE LENGTH OF STEEL BARS.



PARSONS
15770 N. DALLAS PARKWAY, SUITE 500, DALLAS, TEXAS 75248 (972)991-1900

INLET DETAILS

INWOOD CONNECTION
DEPARTMENT OF PUBLIC WORKS
TOWN OF ADDISON, TEXAS

DESIGN	DRAWN	DATE	SCALE	NOTES	FILE	NUMBER
D.J.S.	E.C.S.	05/12/03				18