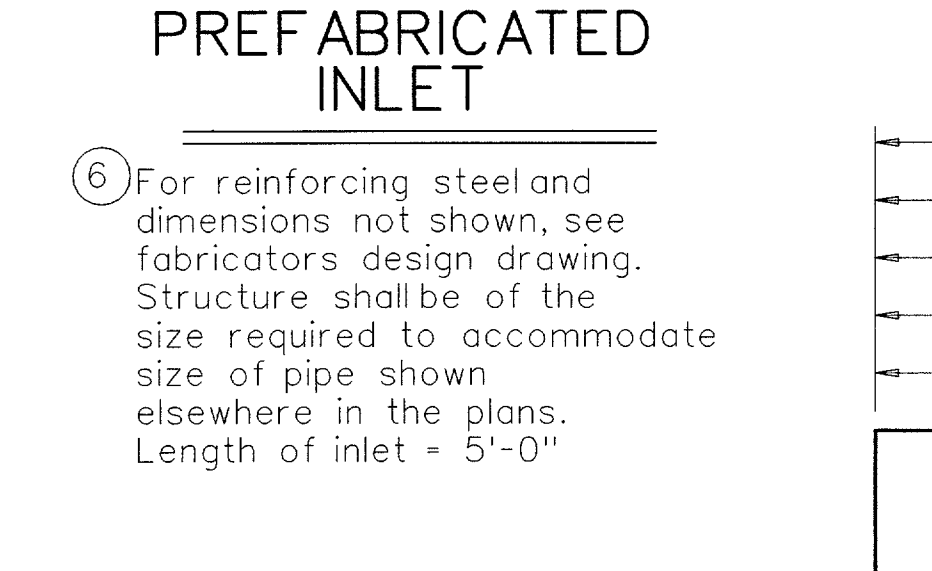
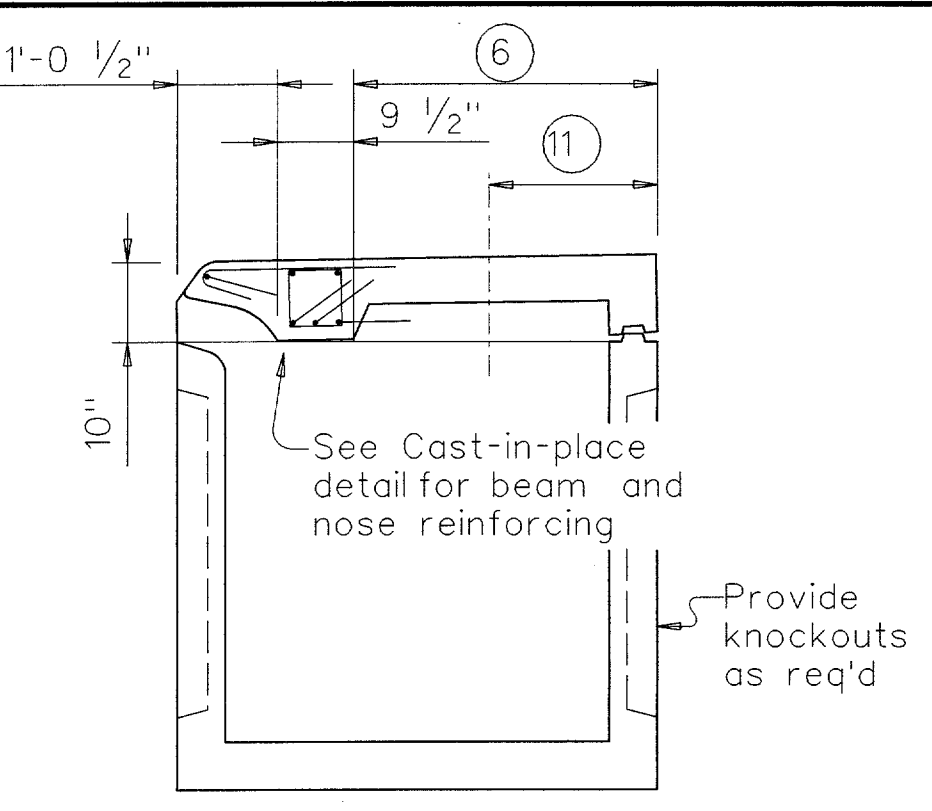
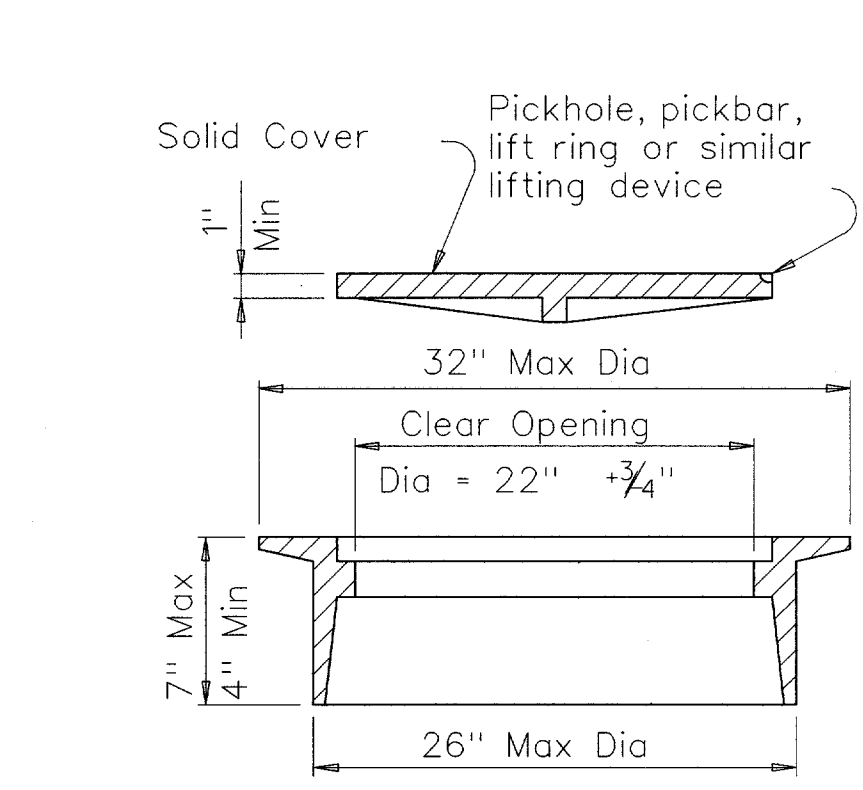
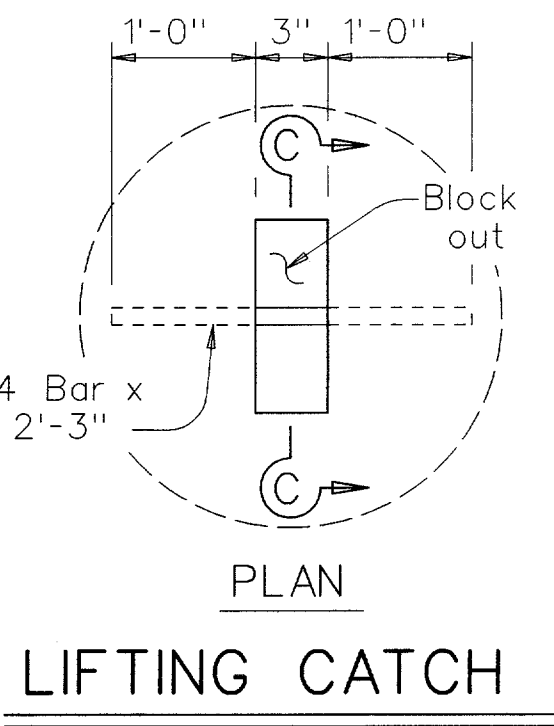
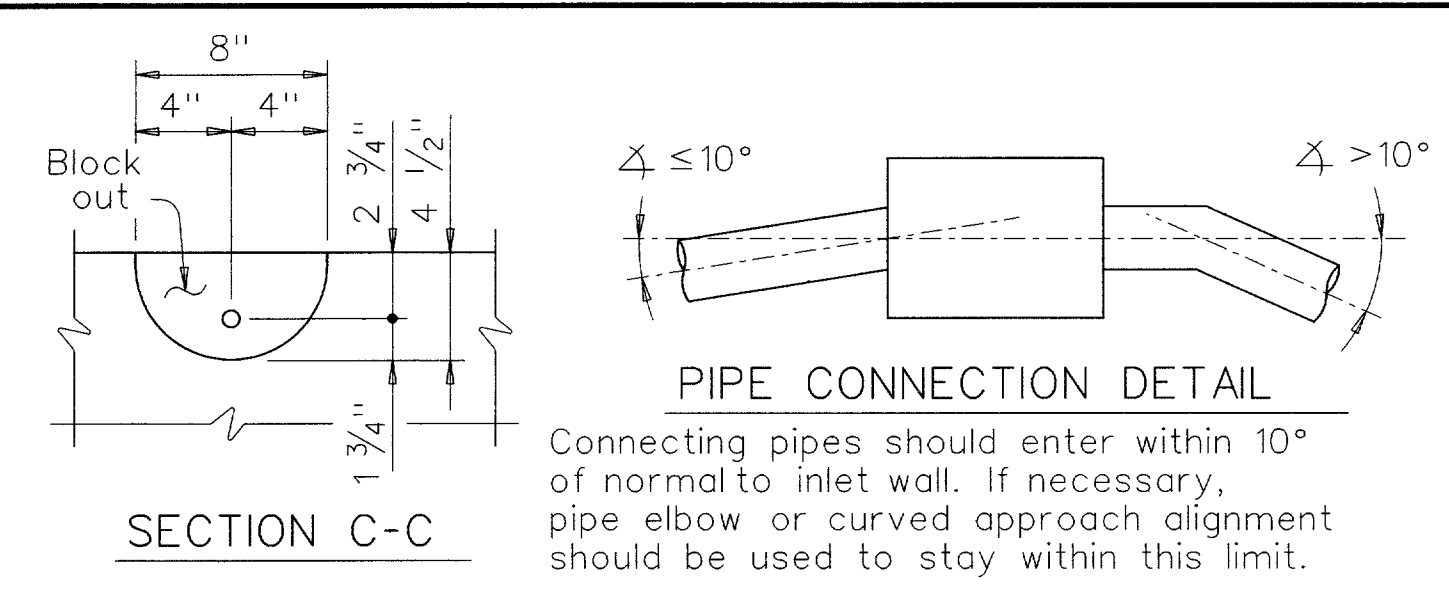
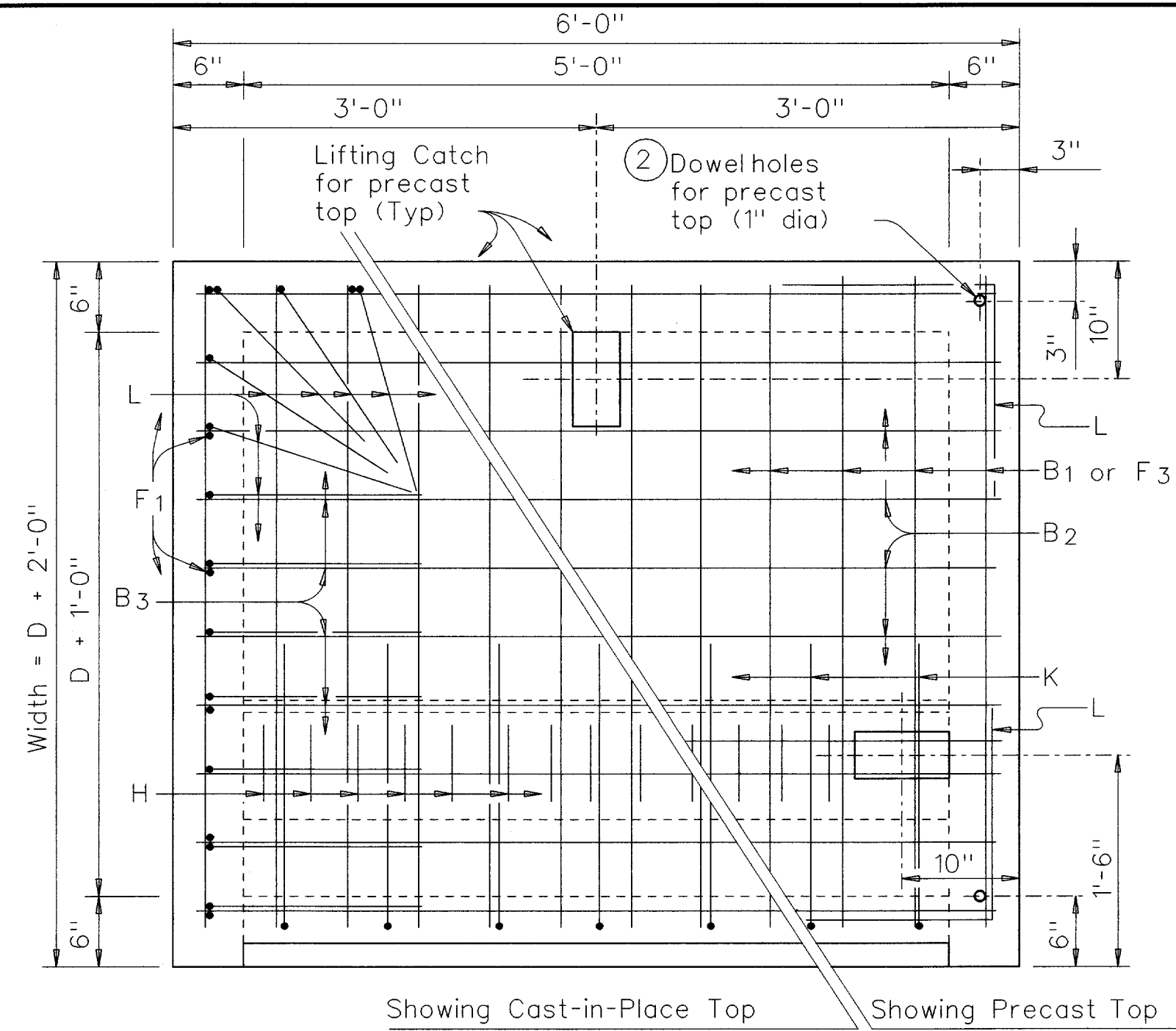
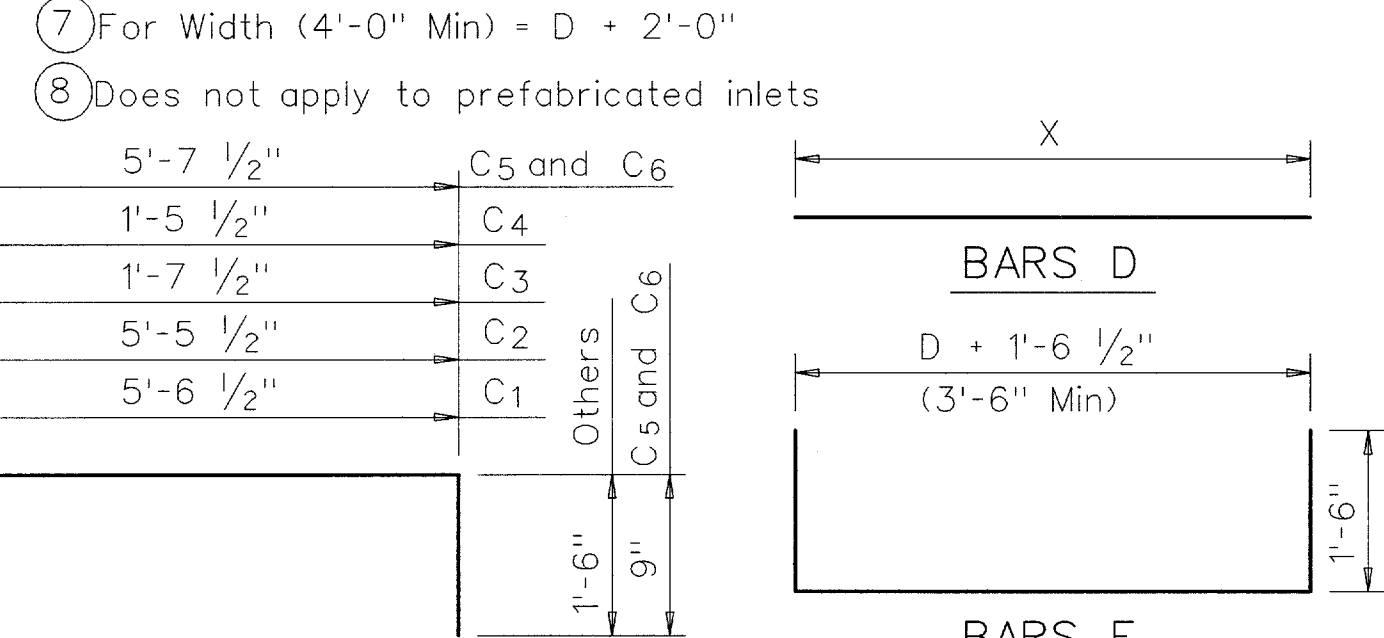


DISCLAIMER: The use of this standard is governed by the "Texas Engineering Practice Act". No warranty of any kind is made by TxDOT for any purpose whatsoever. TxDOT assumes no responsibility for the conversion of this standard to other formats or for incorrect results or damages resulting from its use.

LEVELS DISPLAYED	1
PATH:	

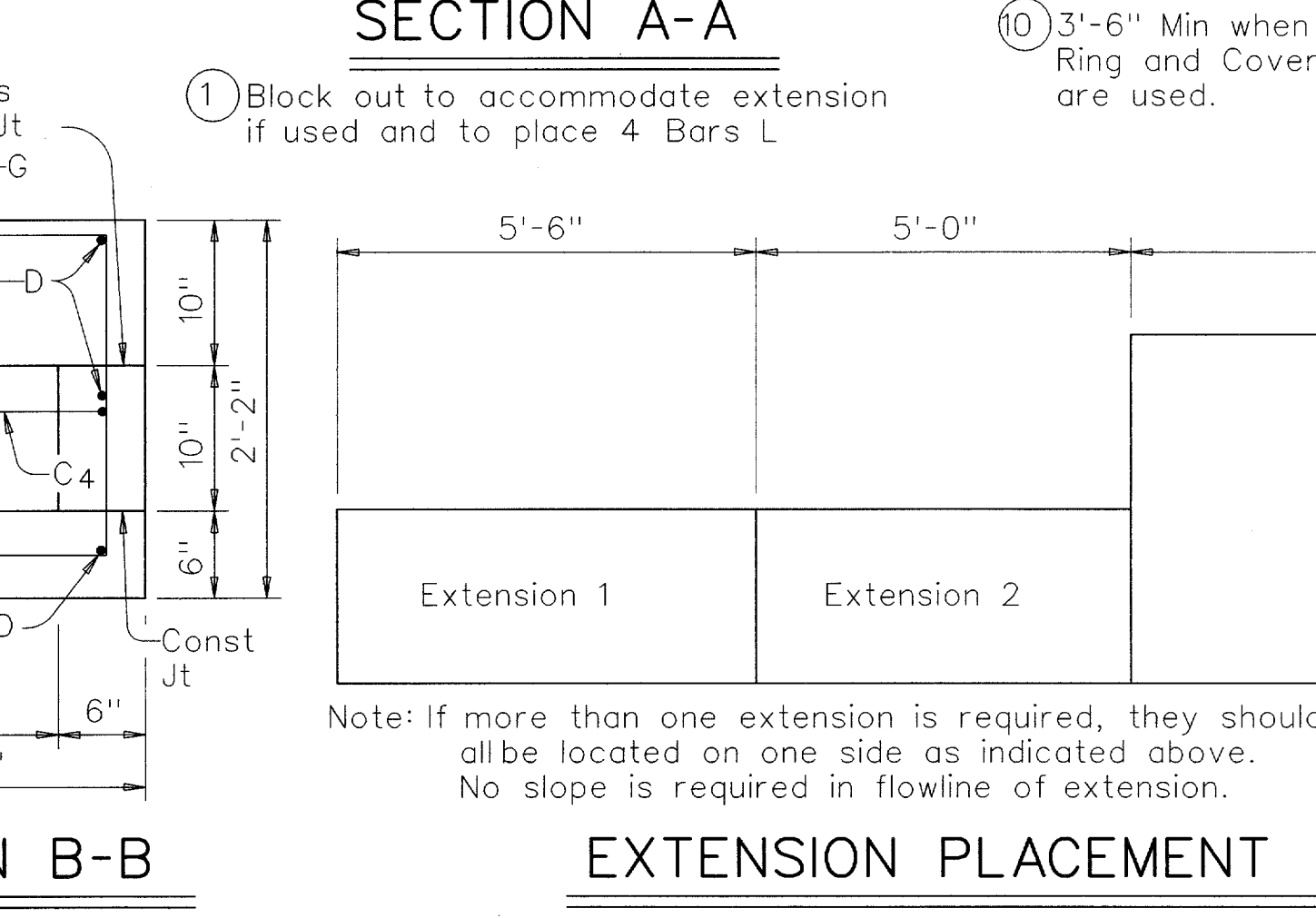
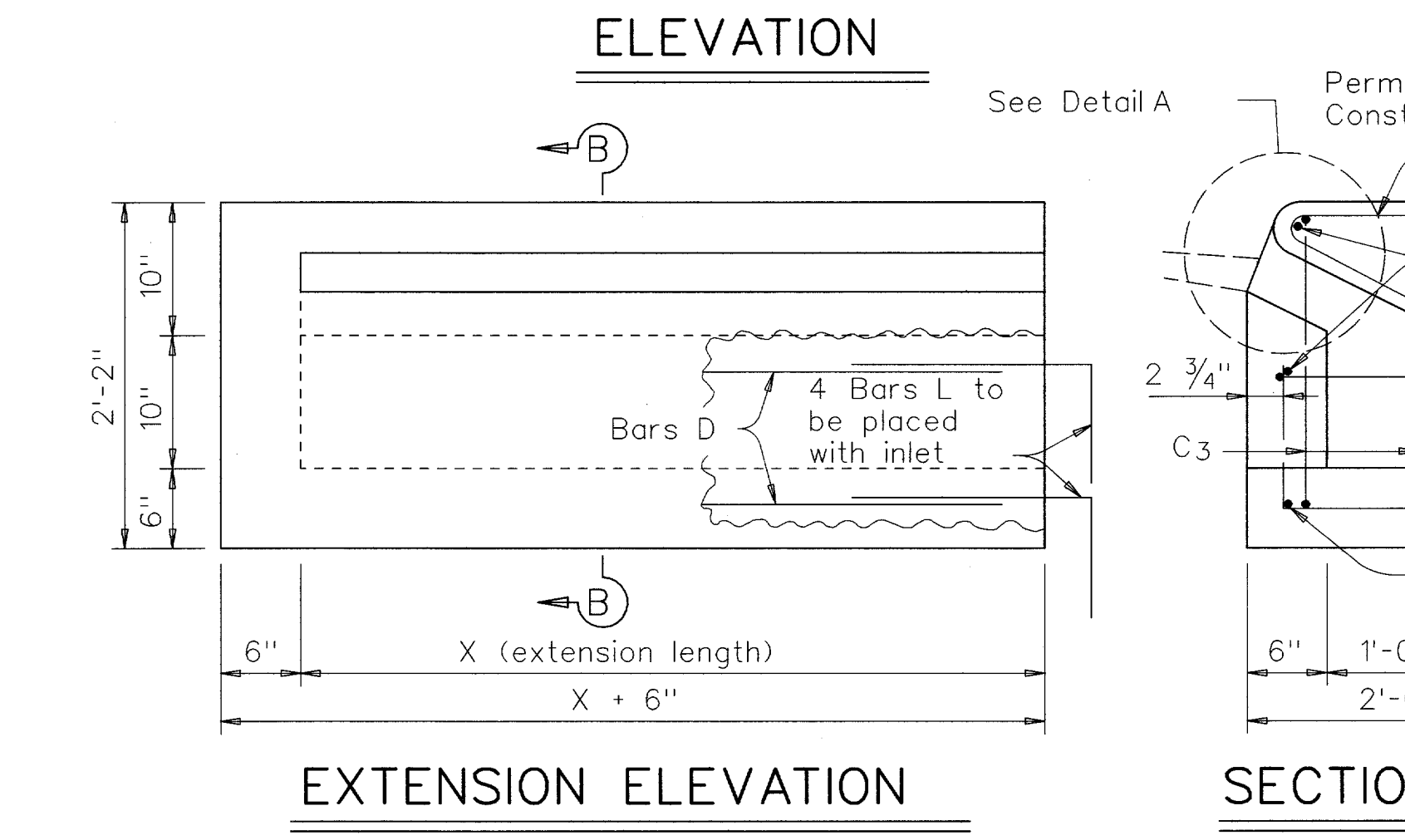
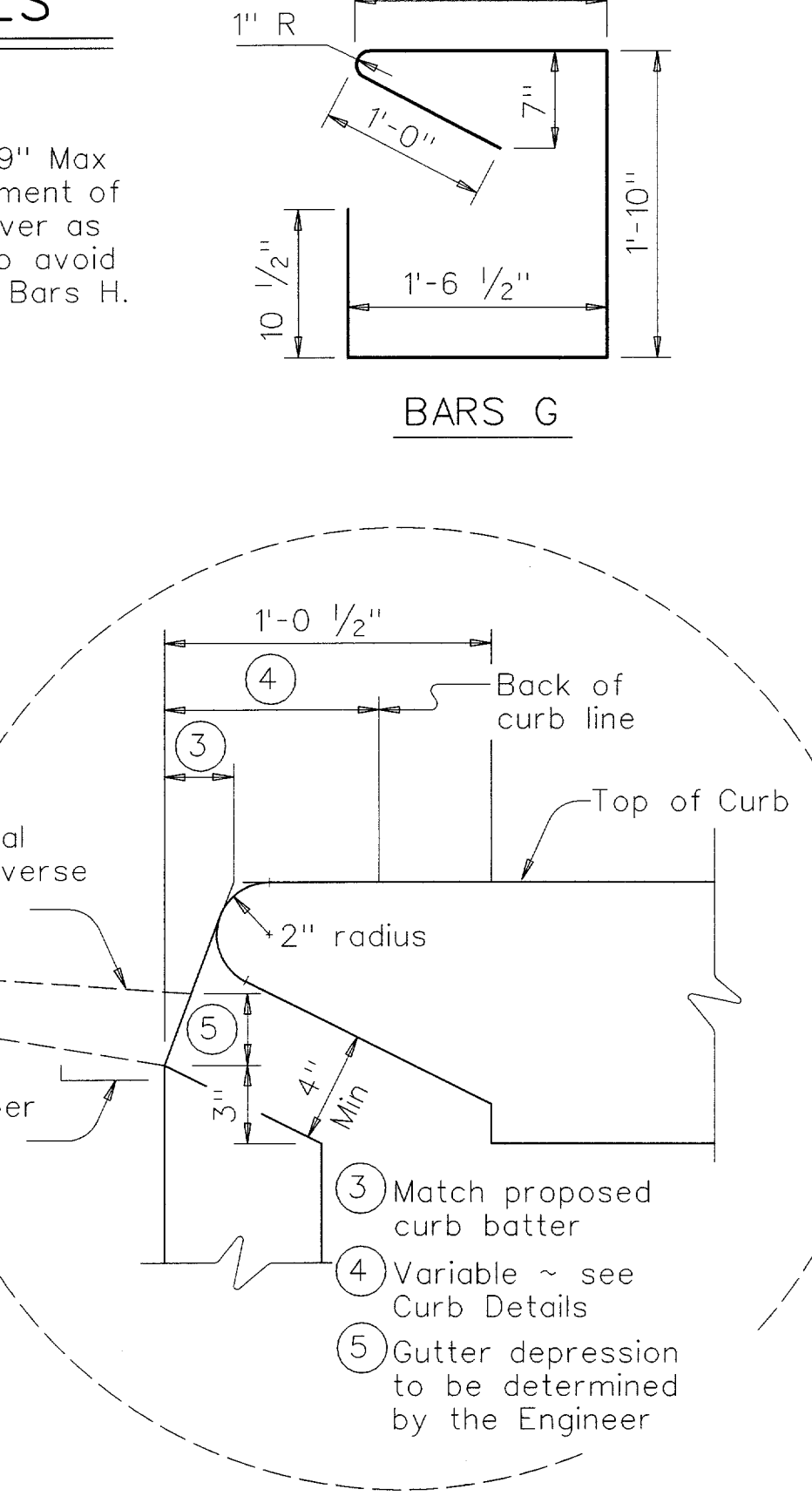
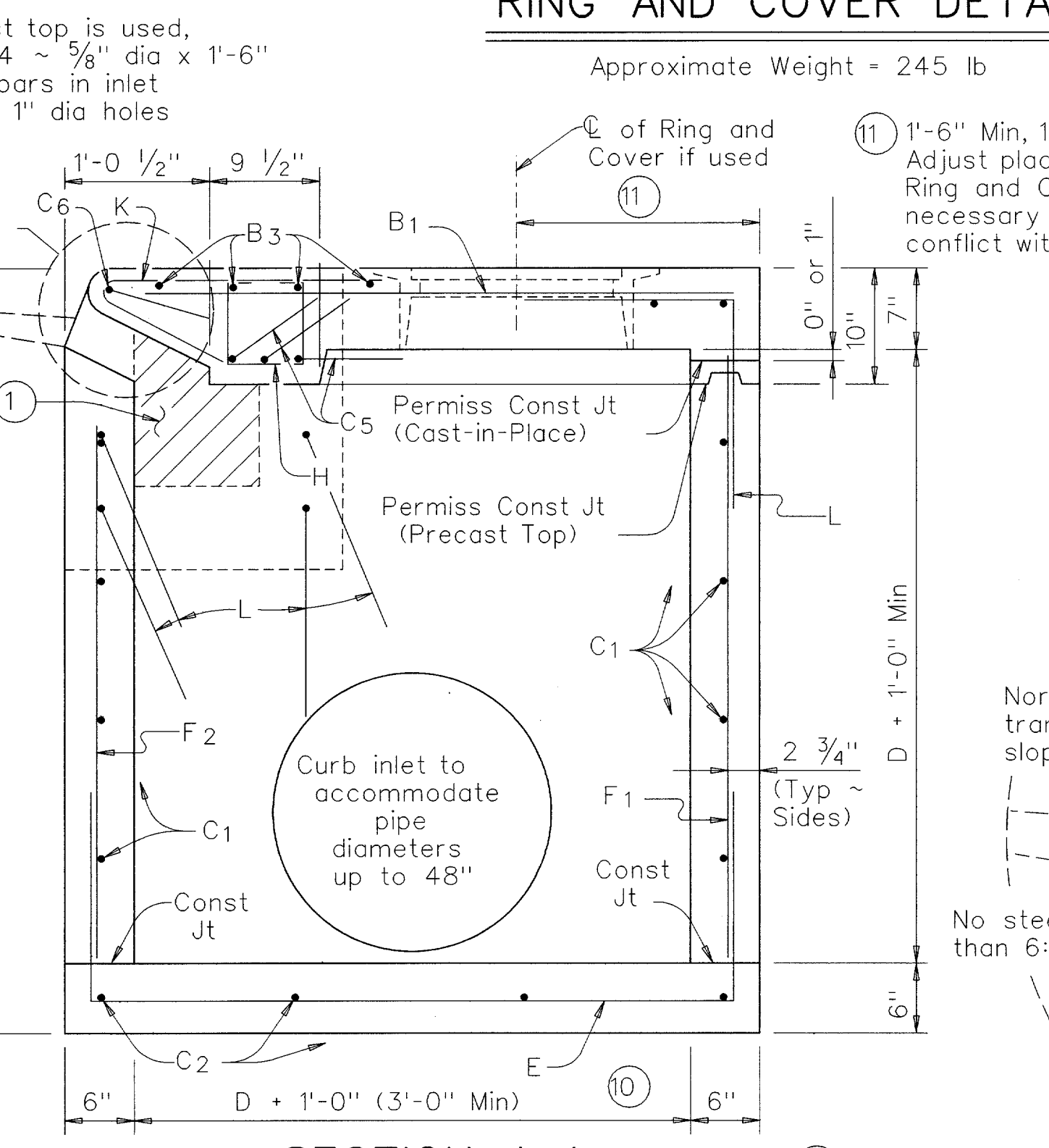
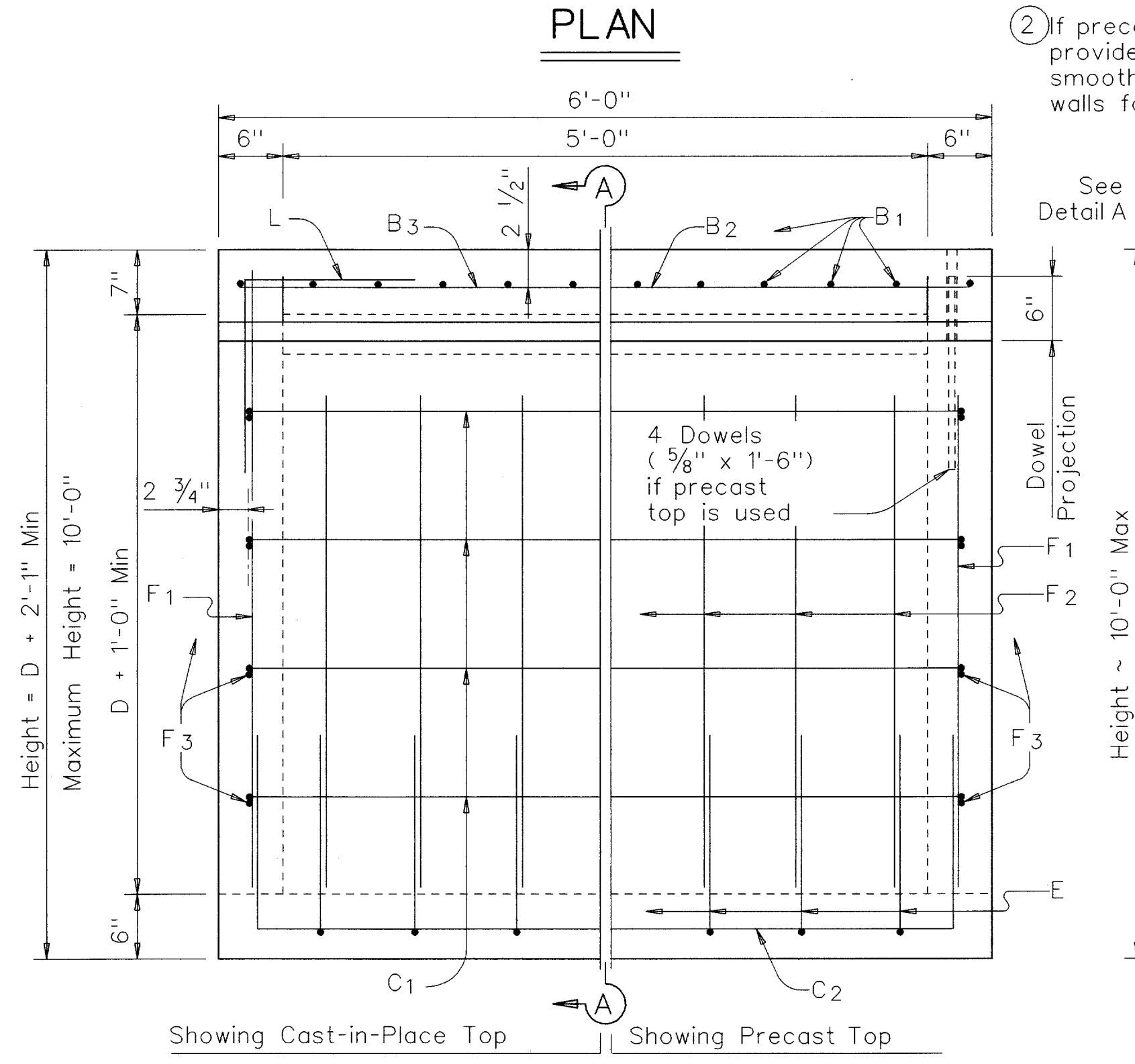


Pipe Size = D	Height	For 4 Foot Width		Per 6 Inch Add'l Width		Per 1 Foot Add'l Height (7)	
		CI "A" Conc	Reinf Steel	CI "A" Conc	Reinf Steel	CI "A" Conc	Reinf Steel
In	Ft	CY	Lb	CY	Lb	CY	Lb
18"	3'-7"	1.6	315	--	--	.33	32
24"	4'-1"	2.0	329	--	--	.33	32
30"	4'-7"	2.4	347	.18	19	.35	33
36"	5'-1"	2.7	361	.19	20	.37	35
42"	5'-7"	3.1	379	.20	21	.39	36
48"	6'-1"	3.5	393	.21	21	.41	38



Bar	Size	Spacing
B1	#4	6"
B2	#5	6"
B3	#4	6"
C1-2	#4	12"
C3-4	#4	(9)
C5	#6	(9)
C6	#4	(9)
D	#4	(9)
E	#4	12"
F1-3	#4	12"
G	#4	6"
H	#3	4"
K	#4	9"
L	#4	6"

(9) As shown



Ext	"X"	CI "A" Conc	Reinf Steel
No.	Ft	CY	Lb
1	5	0.7	104
2	10	1.2	190
3	15	1.8	277
4	20	2.4	366

Note: If more than one extension is required, they should all be located on one side as indicated above. No slope is required in flowline of extension.

**GENERAL NOTES:**  
 Quantities shown herein are for Contractor's information only. Unless otherwise shown in the plans, payment will be made for each inlet of the type specified and for each extension. Each five foot curb opening of extension is considered "one extension" regardless of whether placed monolithically or precast. Extension length shall be in multiples of 5 feet.  
 Engineer has the option of specifying cast-in-place top with ring and cover or removable precast top as specified elsewhere in plans.  
 Alternate design drawings bearing the seal of a registered professional engineer will be acceptable for precast construction of inlets.  
 When approved by the Engineer opening configurations of equivalent hydraulic design may be furnished.  
 Shop drawings will not be required.  
 The Contractor may with the approval of the Engineer furnish inlets of equivalent structural design.  
 In areas of conflict between reinforcing steel, blockouts, pipes, anchor bolts or other reinforcing steel, the reinforcement shall be bent or adjusted to clear as directed by the Engineer.  
 Ring and cover shall conform to the requirements of AASHTO M306, "Standard Specification for Drainage Structure Castings". Materials shall conform to ASTM A48, Class 35B for gray iron castings or ASTM A536, Grade 65-45-12 for ductile iron castings. Aluminum alloy castings shall not be permitted.

Texas Department of Transportation  
 Bridge Division

**CURB INLET TYPE C AND EXTENSION TYPE E (5'-0" INLET)**

IL-C

FILE: il-cstde.dgn	DN: TxDOT	CK: TER	DW: MCB	CK: TER/GAF
© TxDOT September 2000	DISTRICT	FEDERAL AID PROJECT		SHEET
REVISIONS	COUNTY	CONTROL	SECT	JOB
				HIGHWAY

... \cadd\mwdot\set\13-cstde.dgn 06/12/03 06:06:30 PM