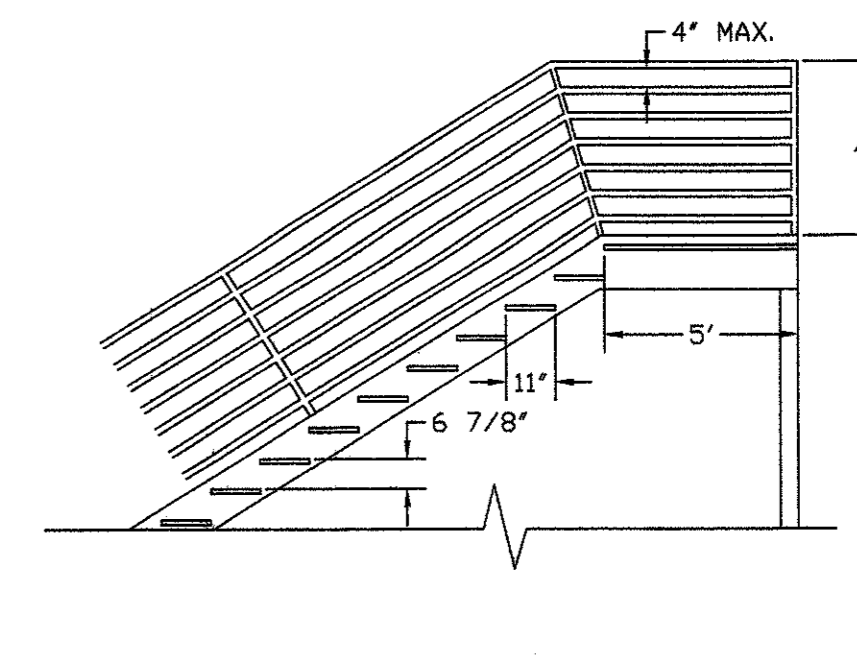
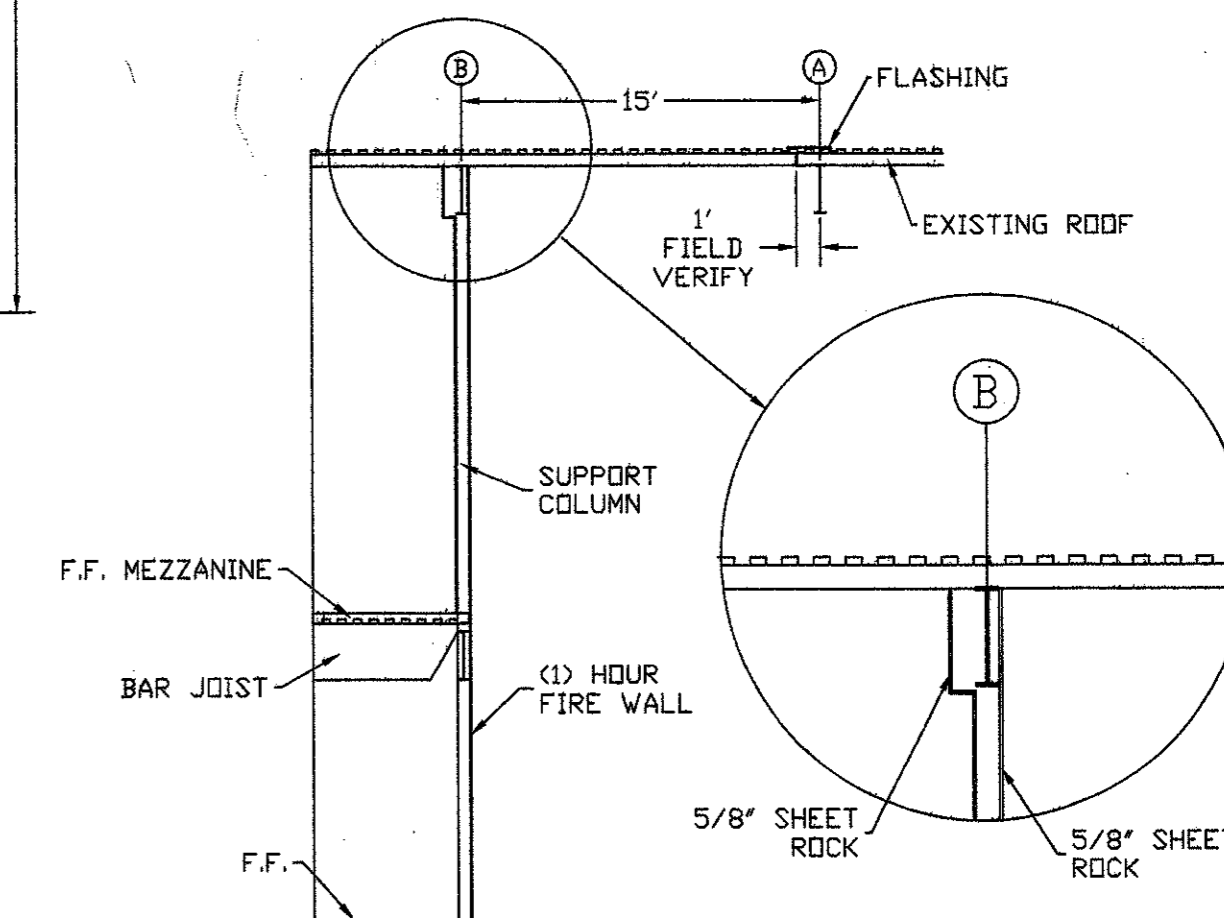


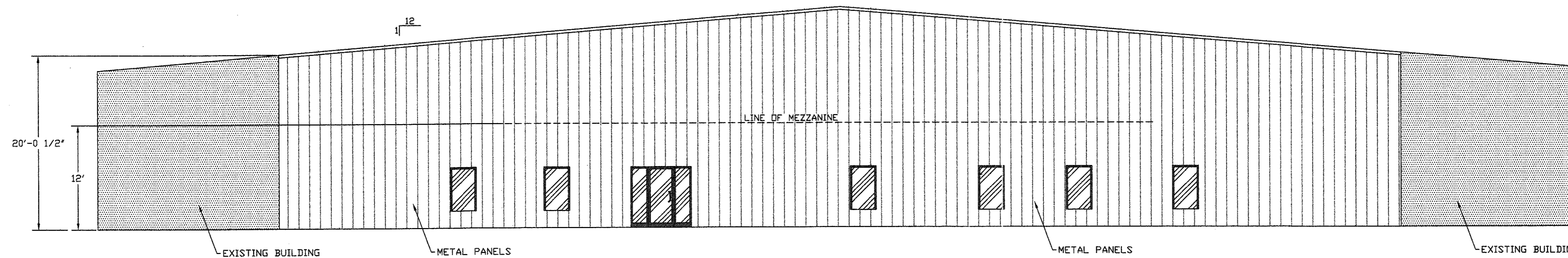
1 FLOOR PLAN
SCALE: 1/8" = 1'



3 STAIR DETAIL
SCALE: NTS



4 STRUCTURE DETAIL
SCALE: NTS



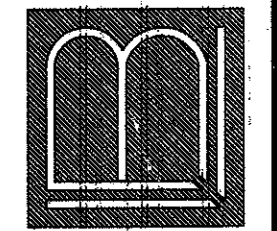
2 FRONT ELEVATION
SCALE: 1/8" = 1'

REVISIONS

NOTE TO BIDDERS: THE DRAWINGS HEREIN ARE PRELIMINARY. THE CONTRACTOR SHALL BE RESPONSIBLE FOR VERIFYING ALL DIMENSIONS AND CONDITIONS BEFORE BIDDING AND SHALL BE RESPONSIBLE FOR OBTAINING ALL NECESSARY PERMITS AND INSTALLING A COMPLETE WORKING SYSTEM WHETHER SHOWN OR NOT ON THE DRAWINGS.

ADDISON AIRPORT ADDITION
ADDISON, TEXAS

ENGINEERING
BUILDING DESIGN
LARRY L. BLACKMON 3505 JIM WRIGHT FRY, FORT WORTH, TEXAS 76106 (817) 737-8004



DATE 12/20/02
SCALE 1/8" = 1'
DRAWING NO. A1

PRELIMINARY 17102 B16-4
HANGAR 6
4550 Jimmy Doolittle