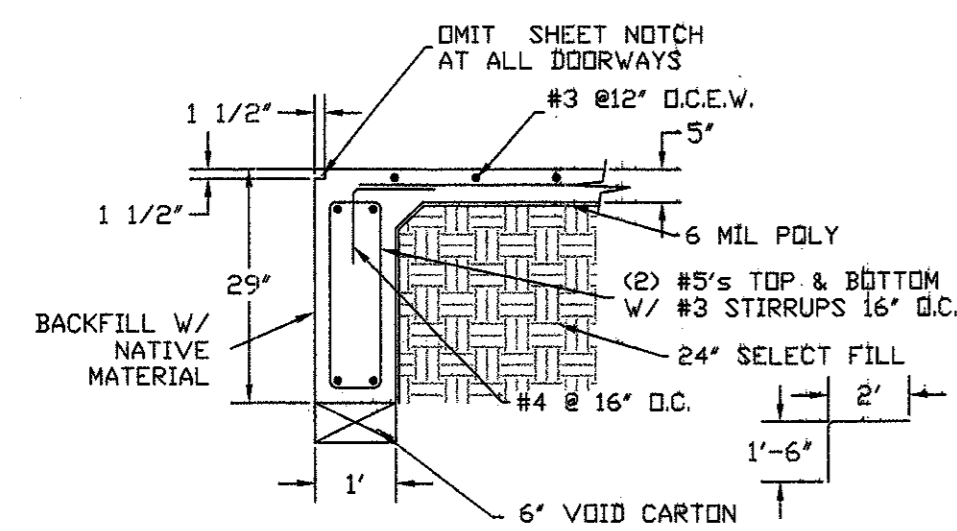


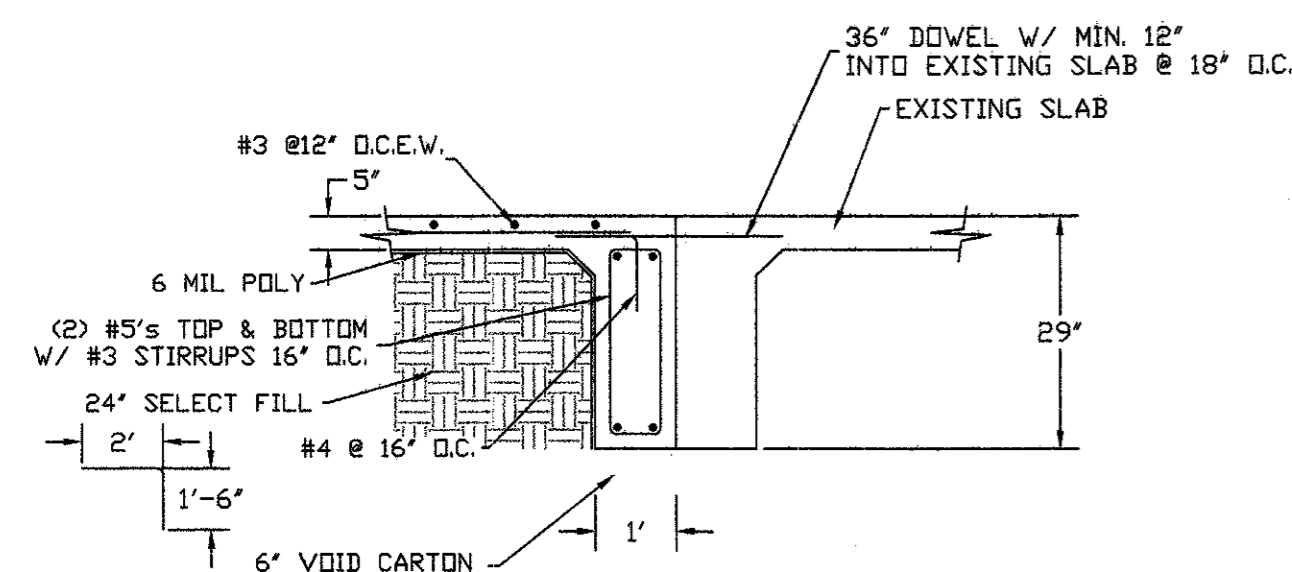
1 FOUNDATION PLAN
SCALE: 1/8" = 1'

FOUNDATION NOTES:

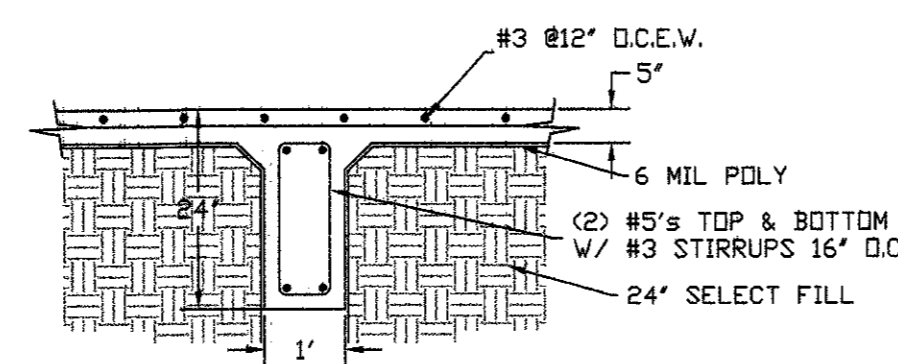
1. CONCRETE SHALL BE TRANSIT MIXED AND MUST ATTAIN MINIMUM 28 DAY COMPRESSIVE STRENGTH OF 3000 PSI.
2. "POZZILITH" AND/OR ENTRAINING MIX SHALL BE ADDED FOR EASIER HANDLING AND WATER PROOFING.
3. REINFORCING STEEL SHALL BE "DEFORMED" BARS, GRADE 60. TIES AND STIRRUPS SHALL BE GRADE 40.
4. BACKFILL OUTSIDE OF PIERED BEAMS SHALL BE "NATIVE MATERIAL" DO NOT CARRY SELECT FILL OUTSIDE OF THE GRADE BEAM.
5. NO SAND TO BE USED UNDER SLAB.
6. UTILITY DITCHES ARE TO BE BACKFILLED WITH "NATIVE MATERIAL" AND COMPACTED.
7. SLAB DESIGN PER SOIL REPORT BY PABRKLAND ENG. & TESTING #02-135.
8. CONTRACTOR IS TO OBTAIN A COPY OF ABOVE REPORT AND FOLLOW THE WORK AS SPECIFIED. LABORATORY CONTROL IS REQUIRED.
9. SELECT FILL SHALL BE SANDY CLAY WITH A LL OF LESS THAN 35, A PI OF BETWEEN 4 AND 15, AND A MINIMUM DRY UNIT WEIGHT OF 110 PCF. IT SHALL BE PLACED IN LOOSE LIFTS LESS THAN 9" THICK AND COMPACTED TO 95% OF MAX DRY DENSITY. SEE SOIL REPORT.
10. REMOVE TOP 24" OF SOIL AND FILL UNDER THE SLAB WITH 24" SELECT FILL. FOLLOW SOILS REPORT.
11. ALL SOIL LAB REPORTS OBTAINED BY CONTRACTOR TO VERIFY CHEMICAL TREATMENT AND COMPACTION OF SOIL SUBGRADE SHALL BE PROVIDED TO OWNER. CONTRACTOR SHALL NOT PLACE ANY CONCRETE UNTIL ALL SOILS REPORTED ARE SUBMITTED AND APPROVED IN WRITING BY OWNER.
12. CERTIFIED TERMITES SOIL TREATMENT SHALL BE DONE WITHIN 24 HOURS OF SLAB POUR.



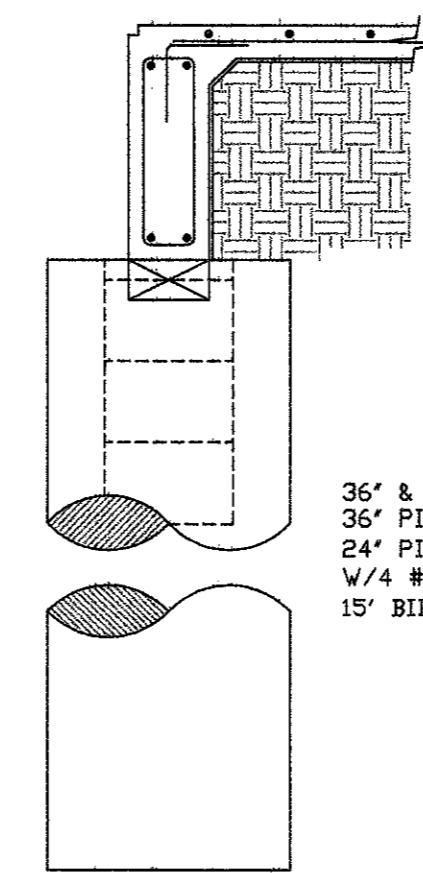
3 GRADE BEAM
SCALE: N.T.S.



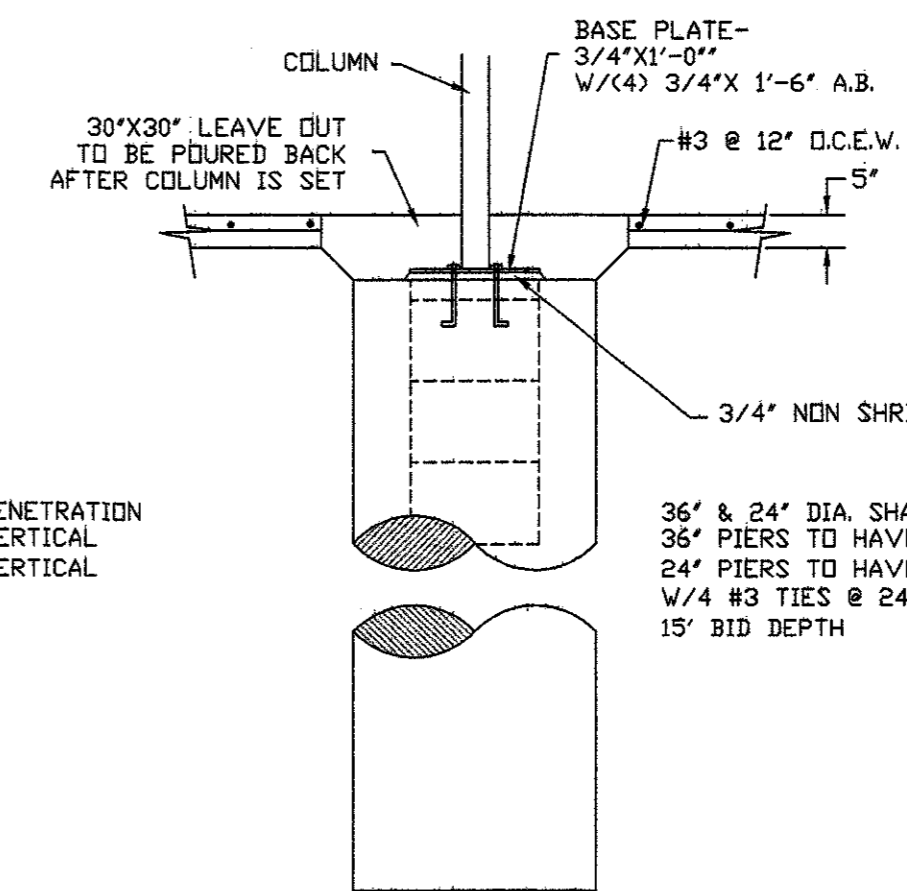
4 GRADE BEAM
SCALE: N.T.S.



5 GRADE BEAM
SCALE: N.T.S.



7 P-2 PIER DETAIL
SCALE: N.T.S.



8 P-3 PIER DETAIL
SCALE: N.T.S.

NOTE TO BIDDERS:
THE INTENT OF THE DRAWINGS HEREIN IS TO PROVIDE A GENERAL SYSTEM FOR THE BIDDERS TO BE RESPONSIBLE FOR PROVIDING AND INSTALLING A COMPLETE WORKING SYSTEM WHETHER SHOWN OR NOT ON THE DRAWINGS.

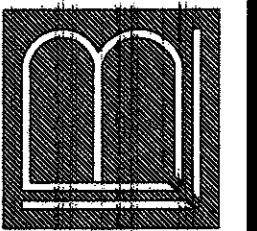
REVISIONS

ADDISON AIRPORT ADDITION

ADDISON, TEXAS

ENGINEERING
BUILDING DESIGN

LARRY L. BLACKMON 3505 JIM WRIGHT FRVY.
FORT WORTH, TEXAS 76106 (817) 737-8804



DATE
12/20/20

SCALE
1/8" = 1'

DRAWING
NO.

S1