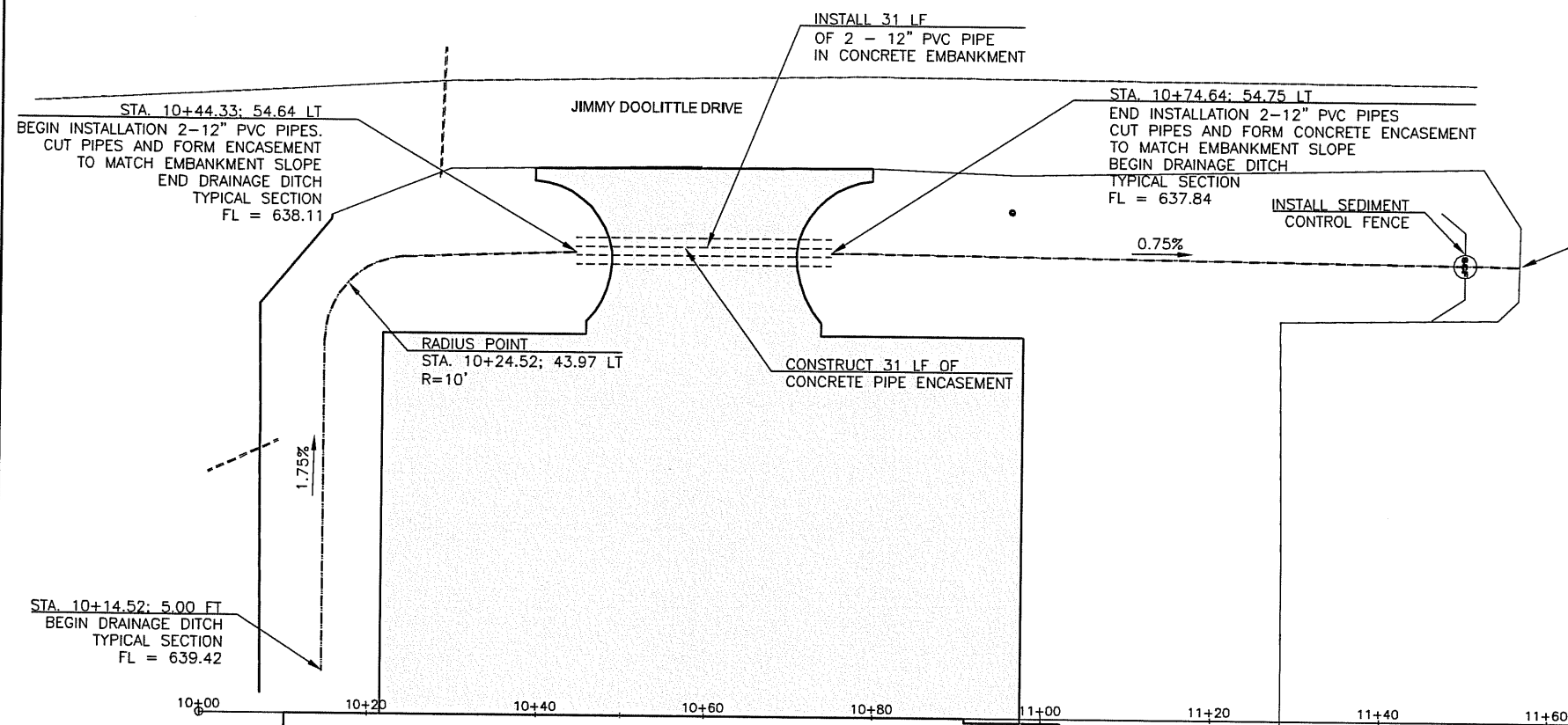
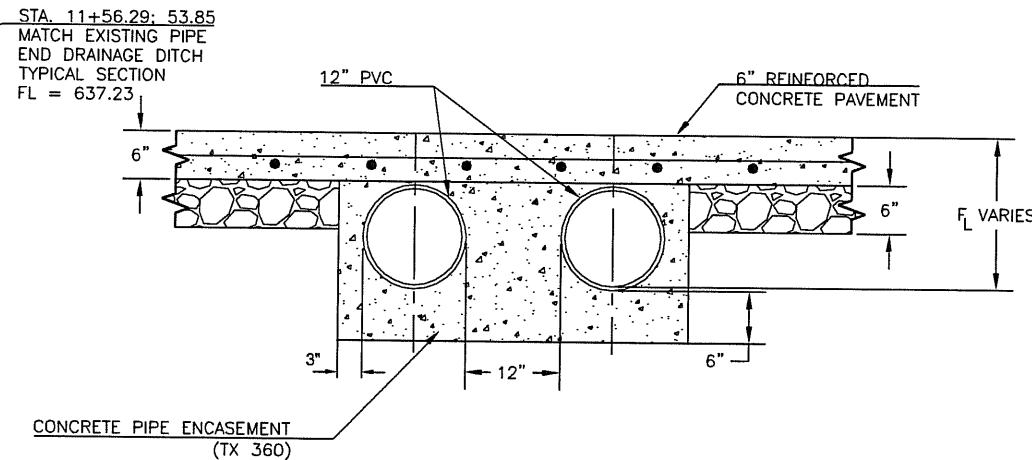
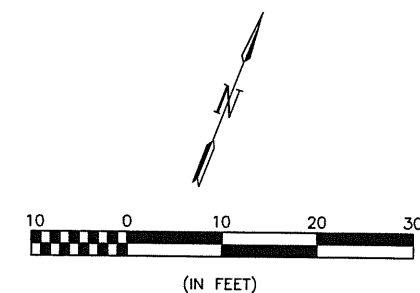
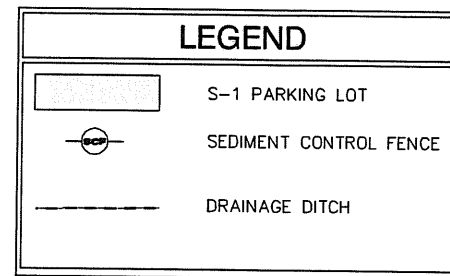


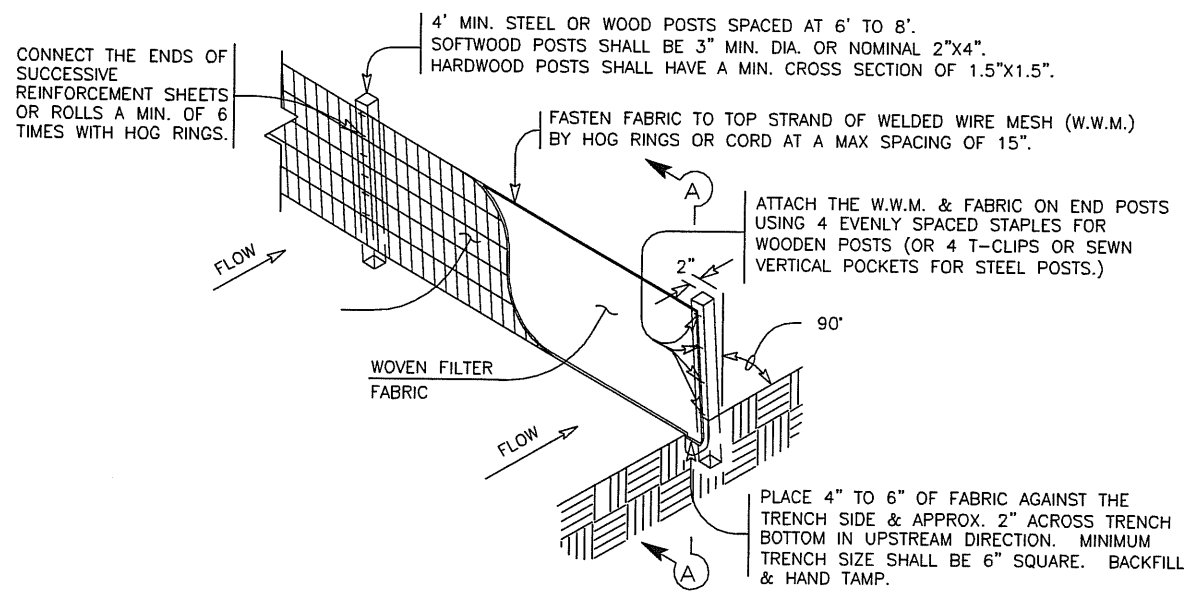
Files: I:\2012\12081100 - ADS S-1 Parking Lot\Drawings\RECORD\ADS\_S1P\_C103\_Ec.dwg Last Saved by: Mirmconolly  
 Lost\_Saved: 10/30/2012 10:55 AM Lost\_Saved: 10/30/2012 10:55 AM Plotter used: DWG To PDF.pc3  
 Lost\_Plot: 10/30/2012 10:55 AM Plot\_Scale: 1:1 Plot\_Scale: 1:1



**S-1 PARKING LOT DRAINAGE AND EROSION CONTROL PLAN**  
SCALE: NONE



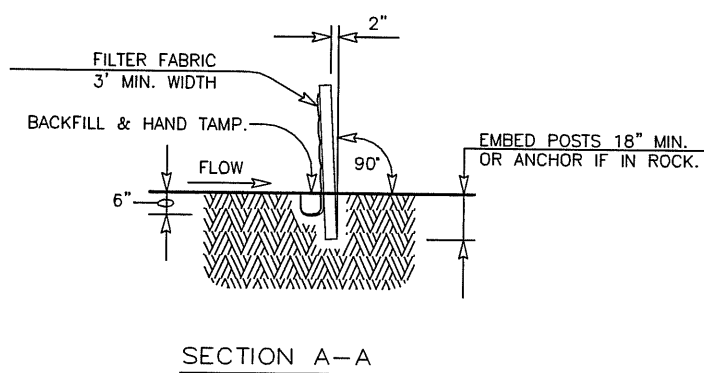
**CONCRETE PIPE ENCASEMENT DETAIL**  
SCALE: NONE



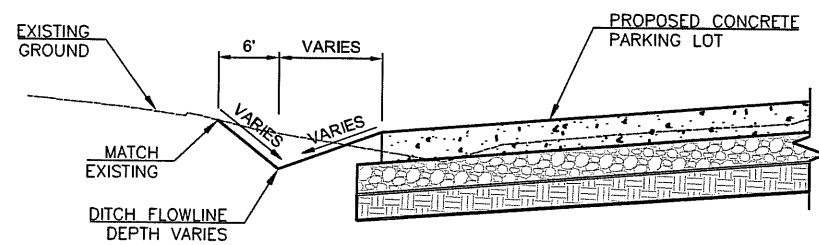
**TEMPORARY SEDIMENT CONTROL FENCE**  
SCF

**GENERAL NOTES**

1. THE GUIDELINES SHOWN HEREON ARE SUGGESTIONS ONLY AND MAY BE MODIFIED BY THE ENGINEER.



SECTION A-A



**DRAINAGE DITCH TYPICAL SECTION**  
SCALE: NONE



REGISTRATION NO. F-5713



| REV. | DATE | DESCRIPTION | BY |
|------|------|-------------|----|
|      |      |             |    |
|      |      |             |    |
|      |      |             |    |

ADDISON AIRPORT  
ADDISON, TX

S-1 PARKING LOT IMPROVEMENTS

DRAINAGE AND STORM WATER POLLUTION PREVENTION PLANS

JOB NO.: 12081100  
DATE: JULY, 2012  
DESIGNED BY: MRM  
DRAWN BY: EGC

BAR IS ONE INCH ON ORIGINAL DRAWING  
IF NOT ONE INCH ON THIS SHEET, ADJUST SCALES ACCORDINGLY.

SHEET NUMBER  
**C-103**

**RECORD DRAWINGS**  
10-30-2012