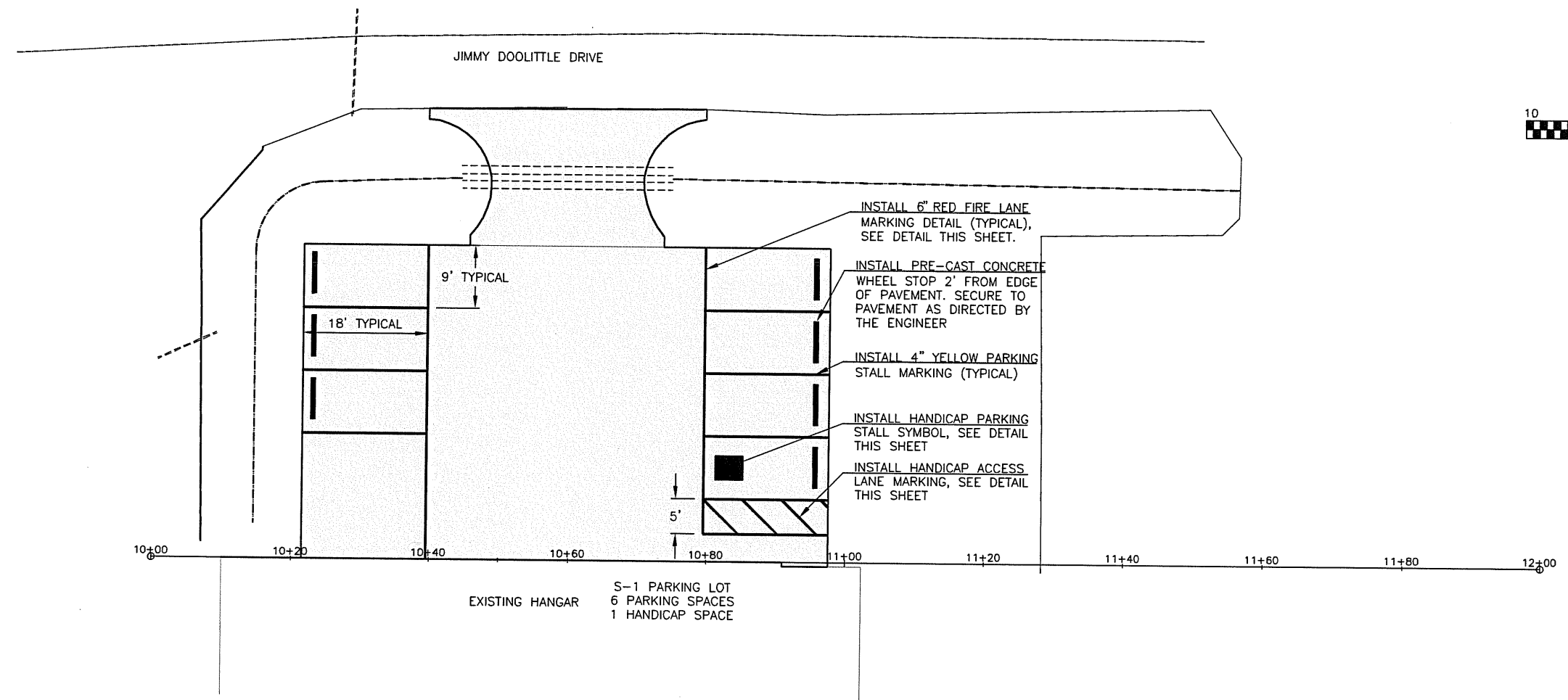
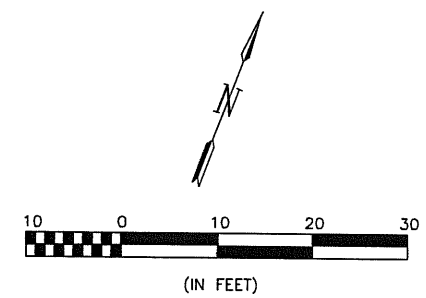


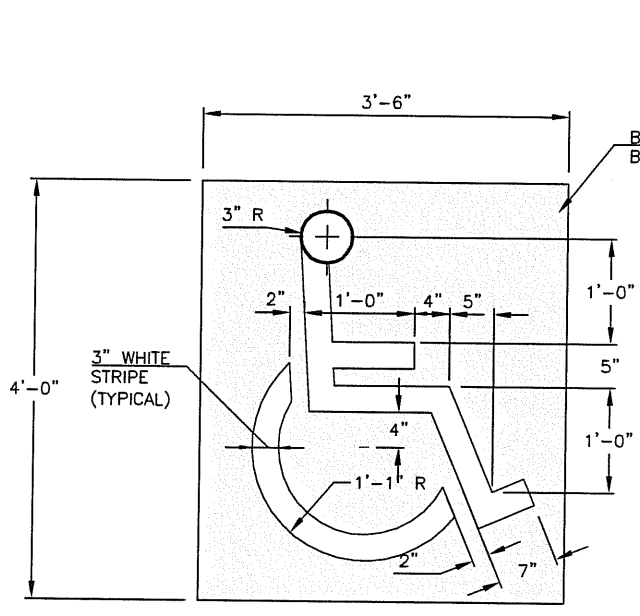


REGISTRATION NO. F-5713

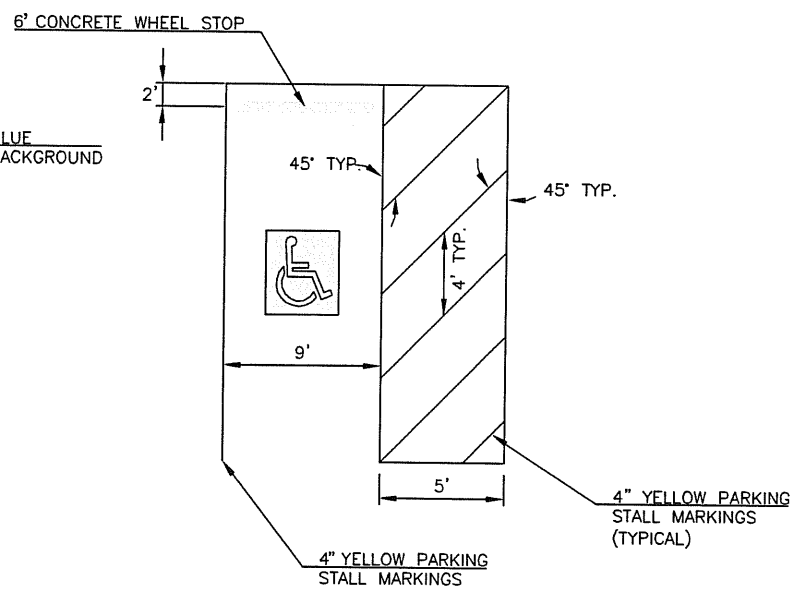


- INSTALL 6" RED FIRE LANE MARKING DETAIL (TYPICAL), SEE DETAIL THIS SHEET.
- INSTALL PRE-CAST CONCRETE WHEEL STOP 2' FROM EDGE OF PAVEMENT. SECURE TO PAVEMENT AS DIRECTED BY THE ENGINEER
- INSTALL 4" YELLOW PARKING STALL MARKING (TYPICAL)
- INSTALL HANDICAP PARKING STALL SYMBOL, SEE DETAIL THIS SHEET
- INSTALL HANDICAP ACCESS LANE MARKING, SEE DETAIL THIS SHEET

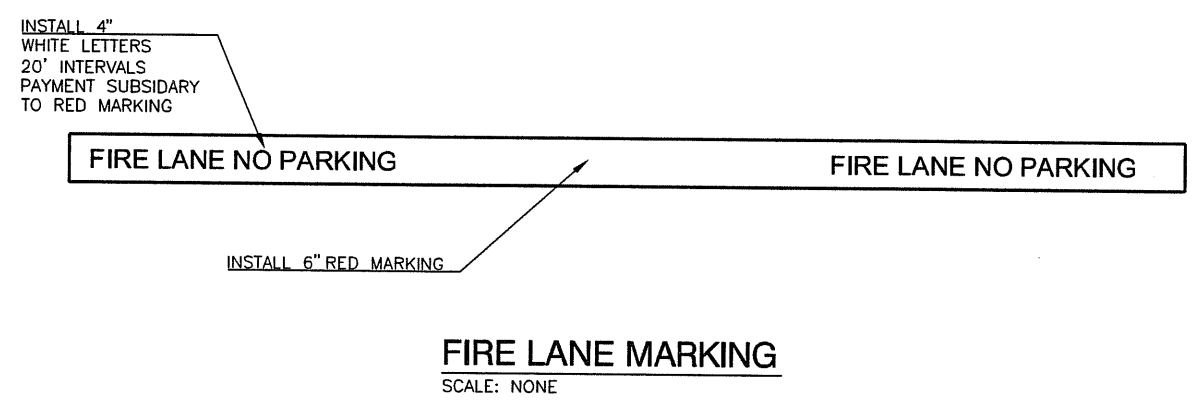
EXISTING HANGAR
S-1 PARKING LOT
6 PARKING SPACES
1 HANDICAP SPACE



HANDICAP PARKING STALL SYMBOL
SCALE: NONE



HANDICAP ACCESS LANE MARKING
SCALE: NONE



REV.	DATE	DESCRIPTION	BY

ADDISON AIRPORT
ADDISON, TX
S-1 PARKING LOT IMPROVEMENTS

MARKING PLAN

JOB NO.: 12081100
DATE: JULY, 2012
DESIGNED BY: MRM
DRAWN BY: EGC

BAR IS ONE INCH ON ORIGINAL DRAWING
IF NOT ONE INCH ON THIS SHEET, ADJUST SCALES ACCORDINGLY.

SHEET NUMBER
C-104

RECORD DRAWINGS
10-30-2012

File: L:\2012\12081100 - ADS S-1 Parking Lot\Drawings\RECORD\ADS_S1P_C104_PM.dwg Last Saved by: Mrmconolly
Last Plotted by: McAnolly, Mitchell, R Plot Date: 10/30/2012 10:56 AM Plotter Used: DWG To PDF.pc3