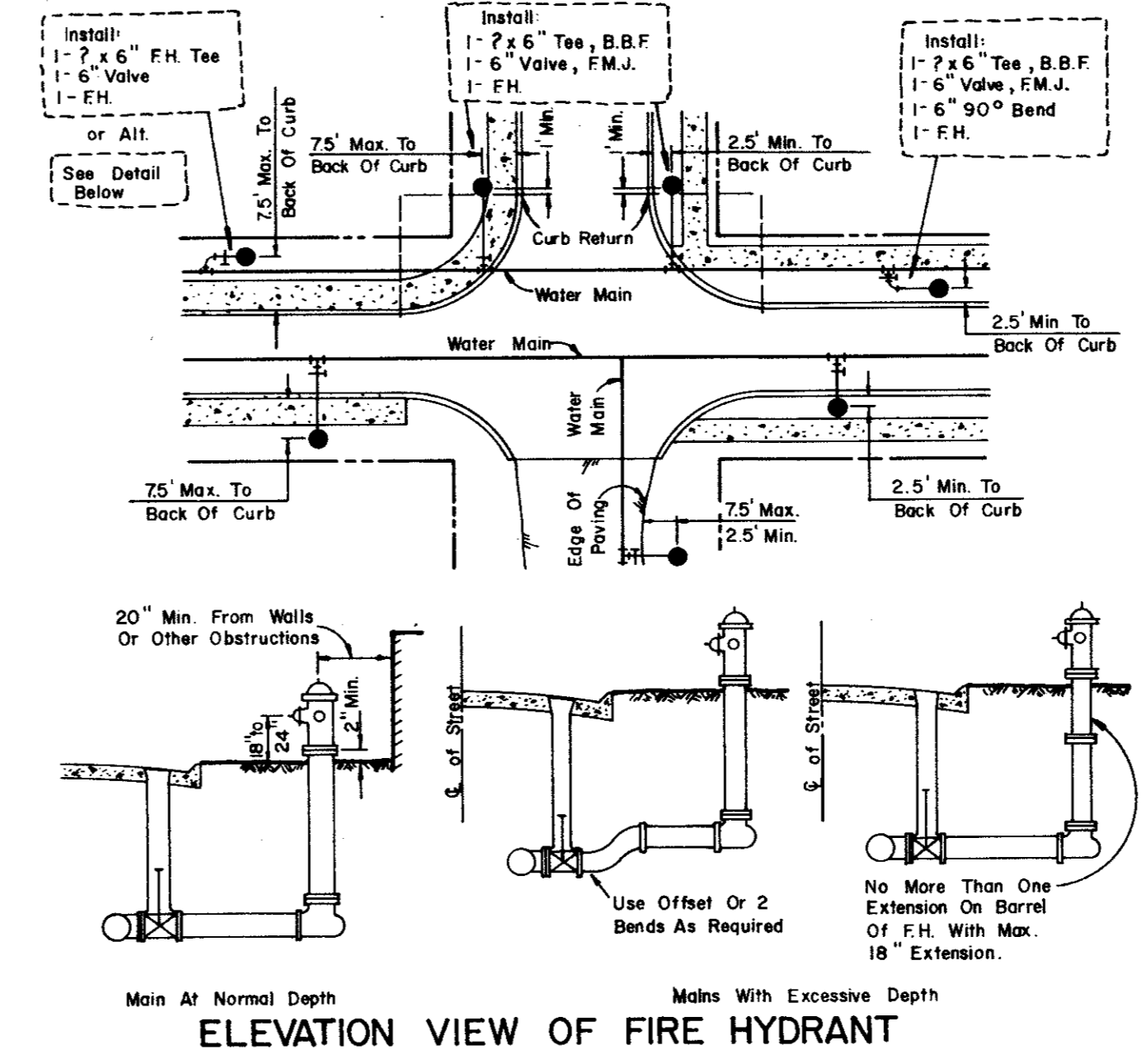


VALVE BOX DETAIL
(SEE PLANS FOR "MAIN SIZE")

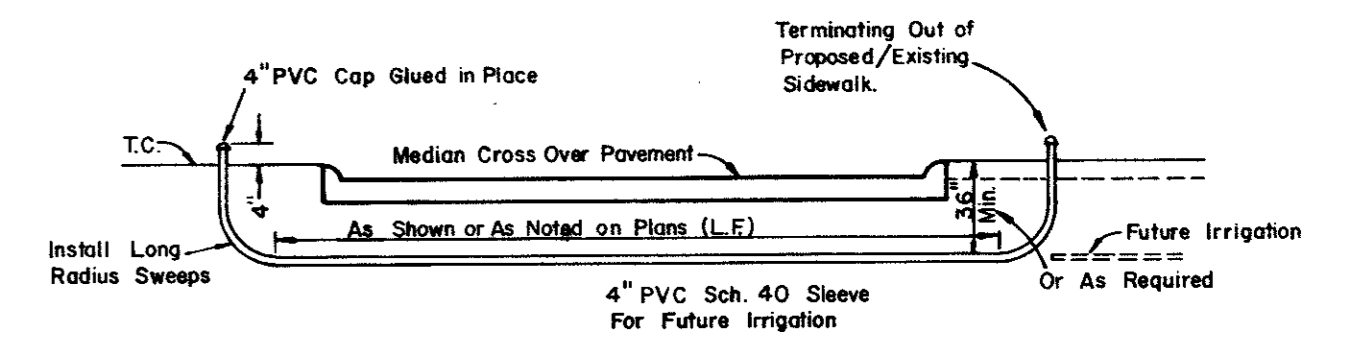
FIRE HYDRANT INSTALLATION
(INCLUDES 8" VALVE)
No Scale

- GATE VALVES AND VALVE BOXES.**
- GATE VALVES SHALL BE IRON BODY, BRONZE OR BRASS MOUNTED, NON-RISING STEM, PARALLEL SEAT TYPE. VALVES SHALL BE OF EQUAL OR GREATER PRESSURE CLASS THAN THE PIPING IN WHICH THEY ARE TO BE INSTALLED.
 - VALVE BOXES SHALL BE CAST IRON AND SHALL BE OF SUFFICIENT LENGTH AND DIAMETER TO OPERATE ALL VALVES BURIED IN THE GROUND. COVERS SHALL BE MARKED "WATER." THE BOXES SHALL REST ON THE VALVE AND BE ADJUSTED SO THAT THE COVER MAY BE SET FLUSH WITH THE FINISHED GRADE.



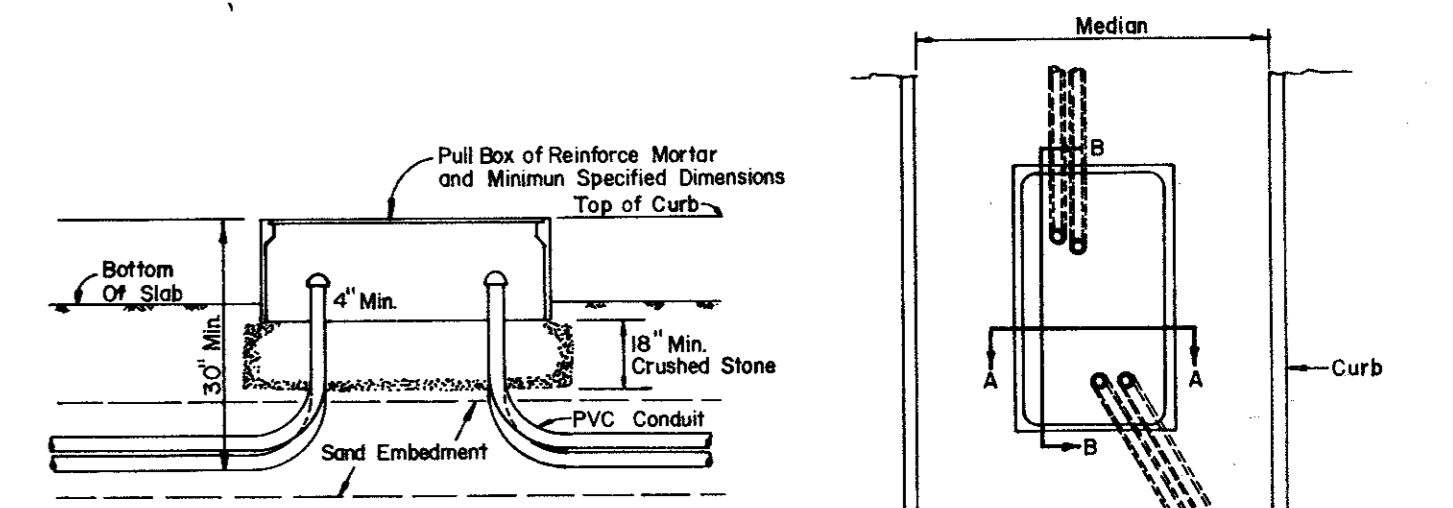
ELEVATION VIEW OF FIRE HYDRANT

- GENERAL NOTES**
- G. of F.H. Barrel Shall Be Not Less Than 2.5' Or More Than 7.5' From Back Of Curb Or Edge Of Pavement.
 - Do Not Set F.H. In An Existing Or Proposed Sidewalk, Unless Otherwise Noted.
 - All F.H. Tees Shall Be M.J. With Anchoring On The Branch With M.J., M.J. 6" Valve.
 - Set F.H. On The Lot Line Extended When Possible.
 - On Private Contracts, The Developer's Engineer Will Stake Location & Grade.
 - Never Place F.H. Where Fire Truck Could Not Park Beside It.



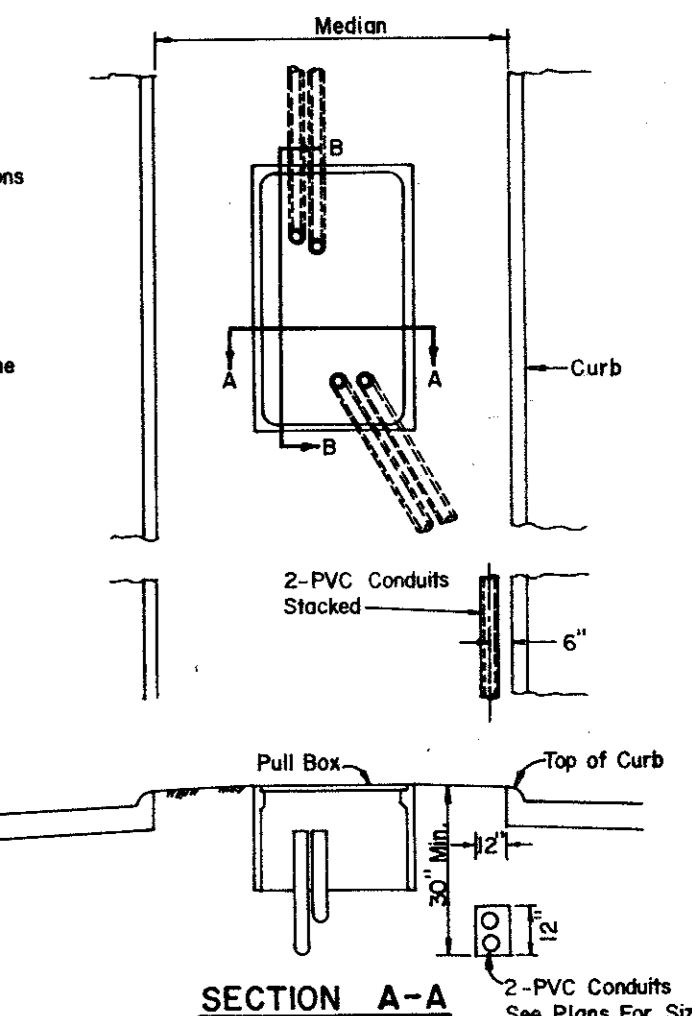
PVC SLEEVE FOR FUTURE IRRIGATION

N.I.C.



SECTION B-B

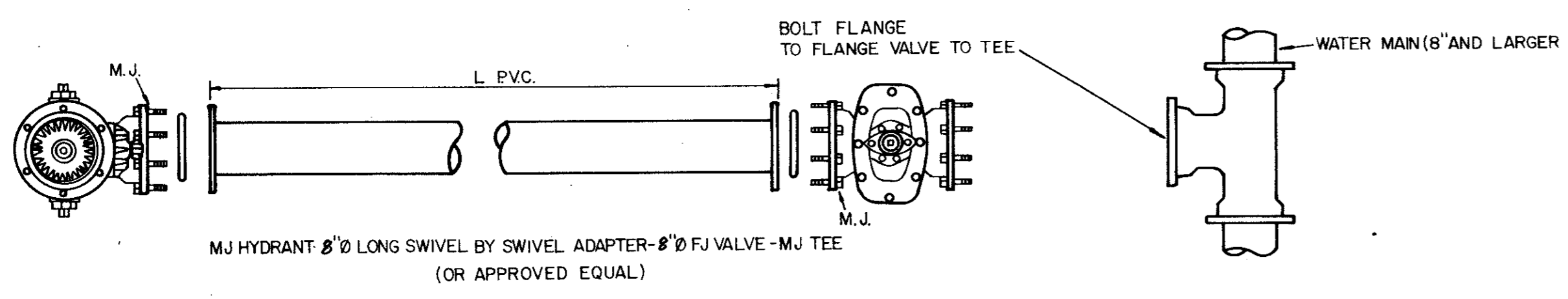
- LOCATION OF CONDUIT PLACEMENT IN MEDIANS**
- Street Directions:
North/South - West Side
East/West - South Side
- PULL BOX DIMENSIONS (MINIMUM INSIDE)**
- 12" Depth
14" Width
24" Length
2-3 "x" Knockouts, One On Each End



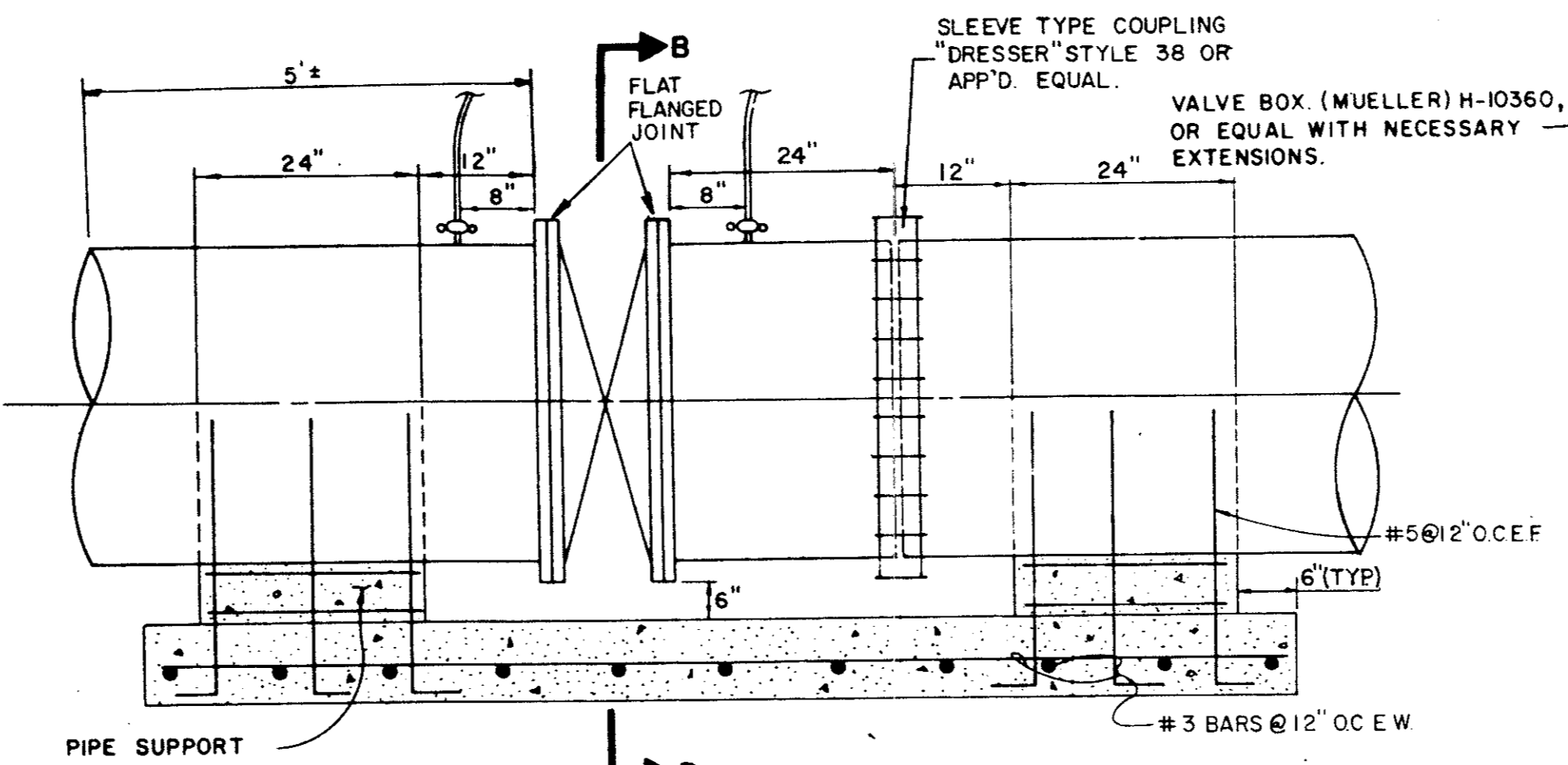
SECTION A-A

PULL BOX & CONDUIT DETAIL

N.I.C.

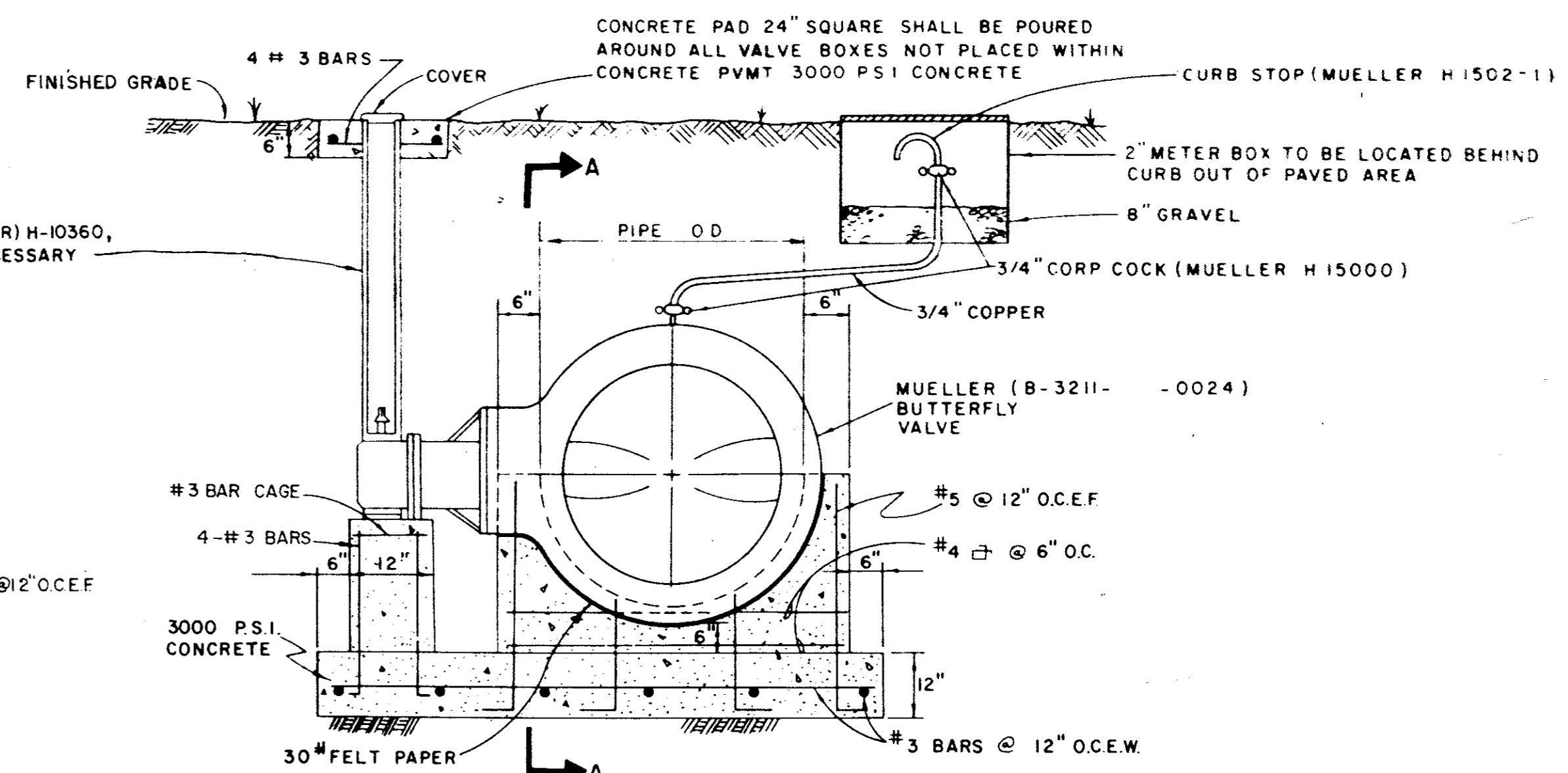


TYPICAL FIRE HYDRANT INSTALLATION

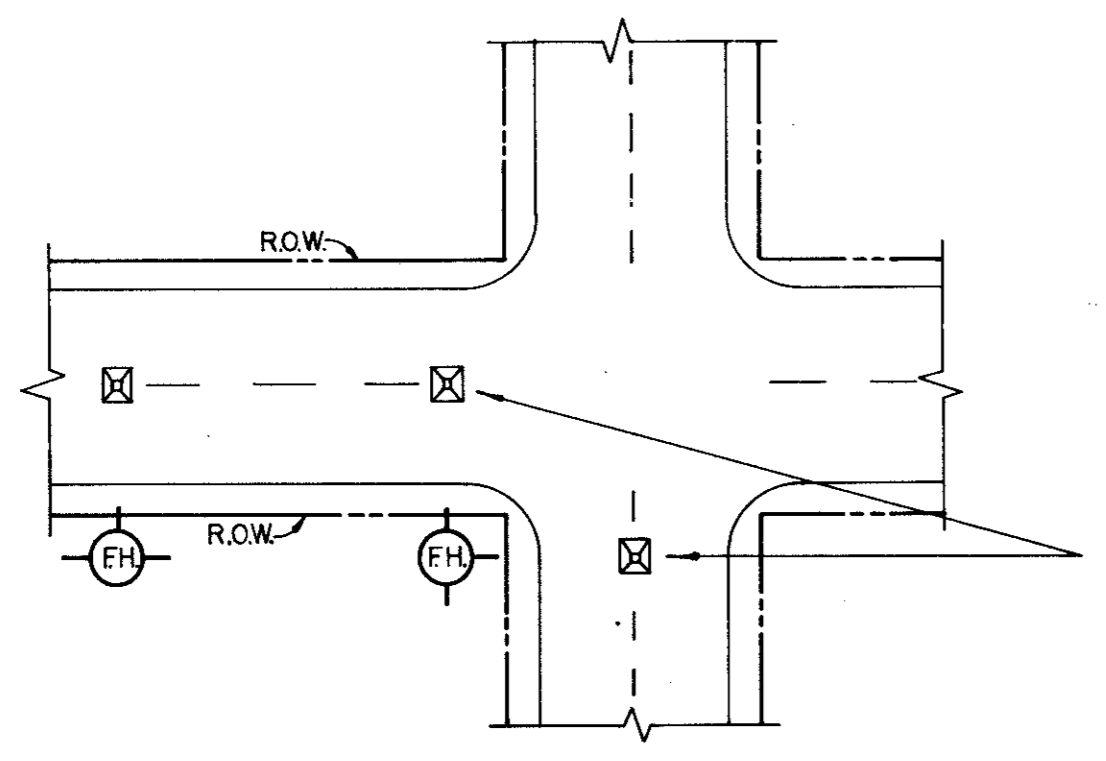


SECTION A-A

BUTTERFLY VALVE DETAIL

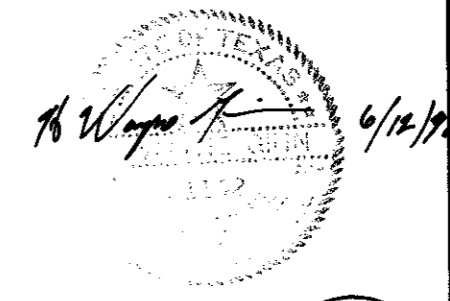


SECTION B-B



TYPICAL FIRE HYDRANT REFLECTOR INSTALLATION

A BLUE STIMSONITE FIRE-LITE REFLECTOR (OR APPROVED EQUAL) TO BE PLACED IN THE CENTER OF STREET OPPOSITE FIRE HYDRANTS. THE INSTALLATION OF THIS REFLECTOR SHALL BE AS PRESCRIBED BY THE MANUFACTURER.



No.	Revision	By	Date
STANDARD CONSTRUCTION DETAILS			
WATER			
FIRE HYDRANTS, PULL BOXES AND VALVES			
GINN, INC.			
Consulting Engineers Dallas, Texas			
Designed -	Drawn -	Date - JUNE 1990	Job No. - 90442
Approved -	Checked -	Scale - NONE	Sheet 5 of 6

SDI6