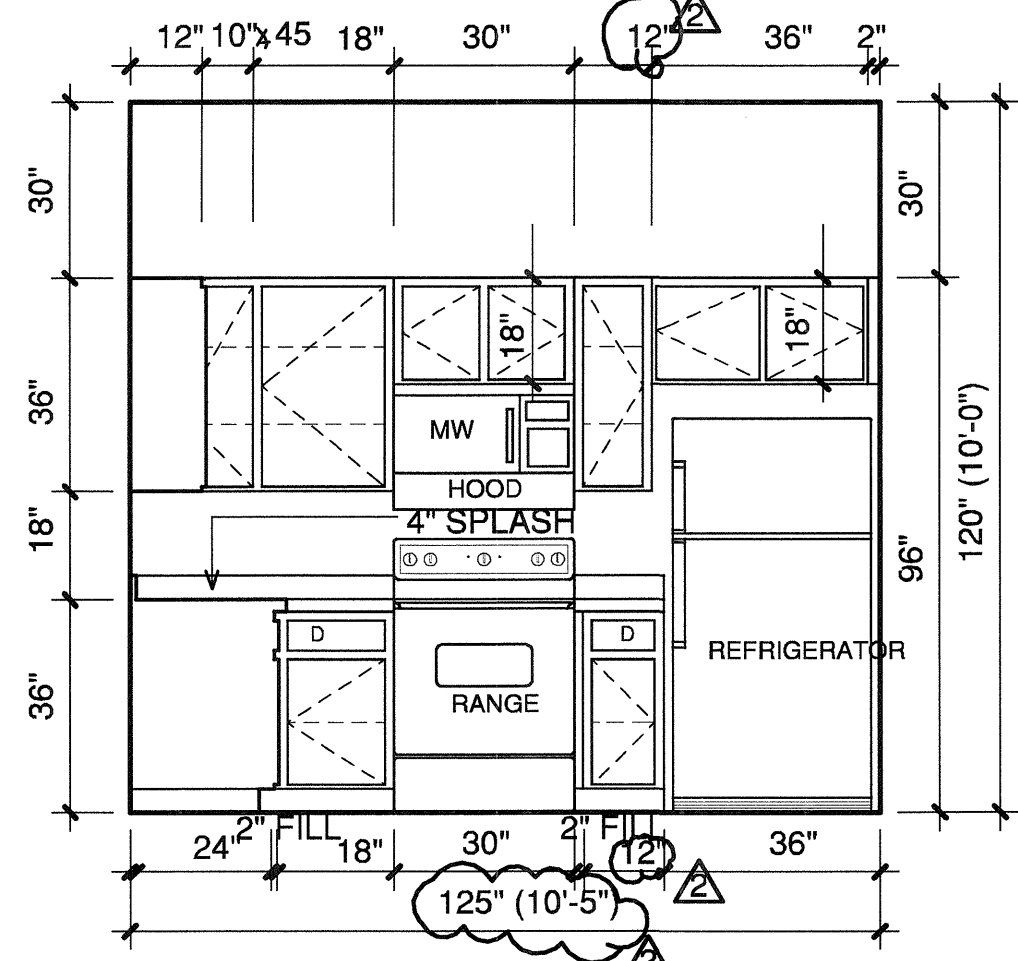
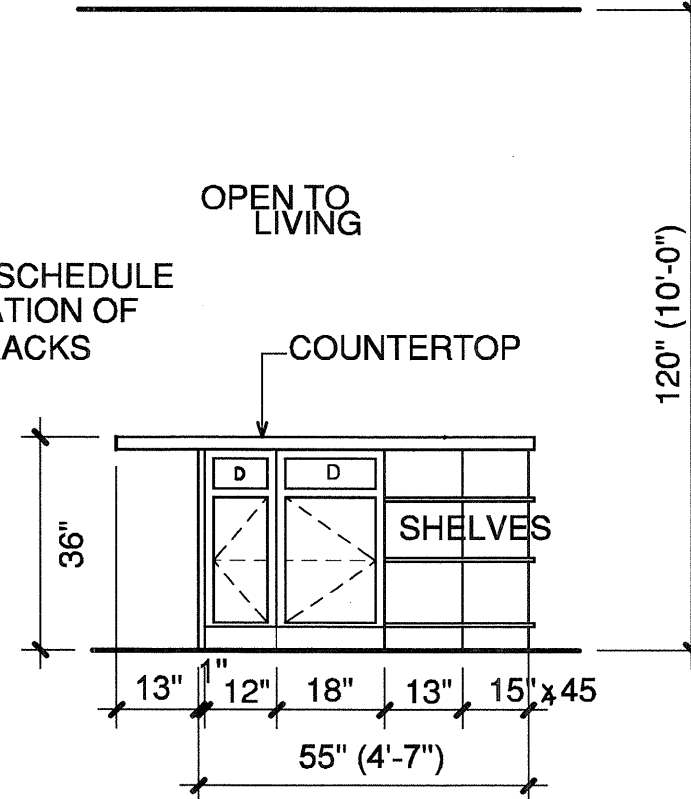


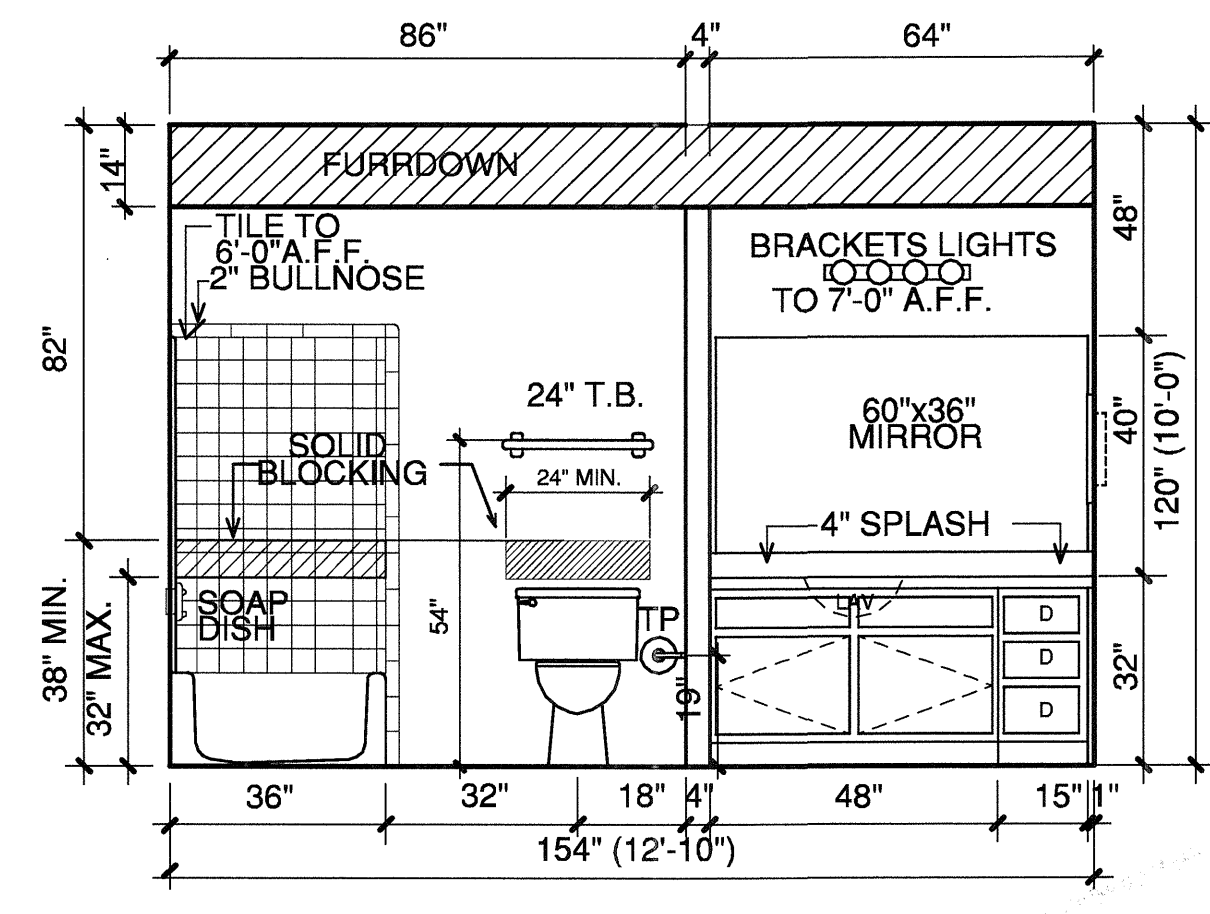
1 KITCHEN
3/8"=1'-0"



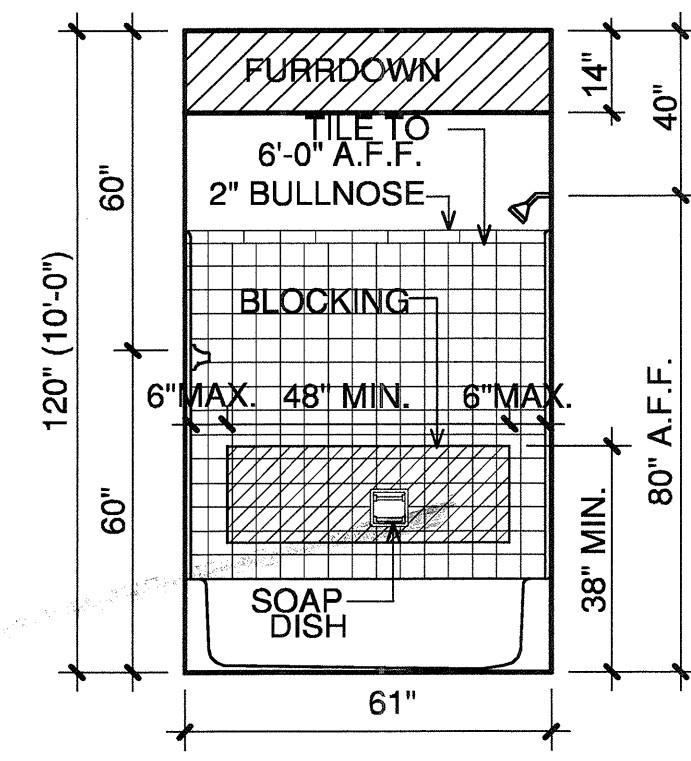
2 KITCHEN
3/8"=1'-0"



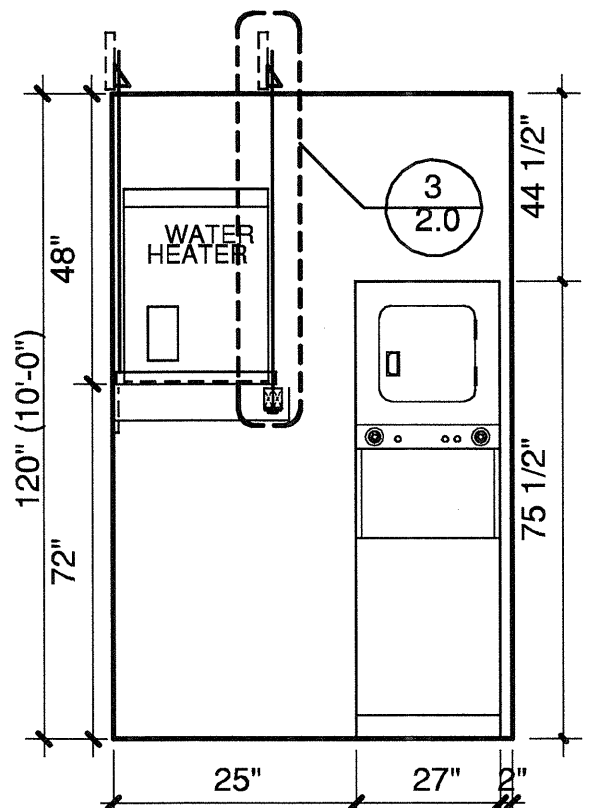
3 KITCHEN
3/8"=1'-0"



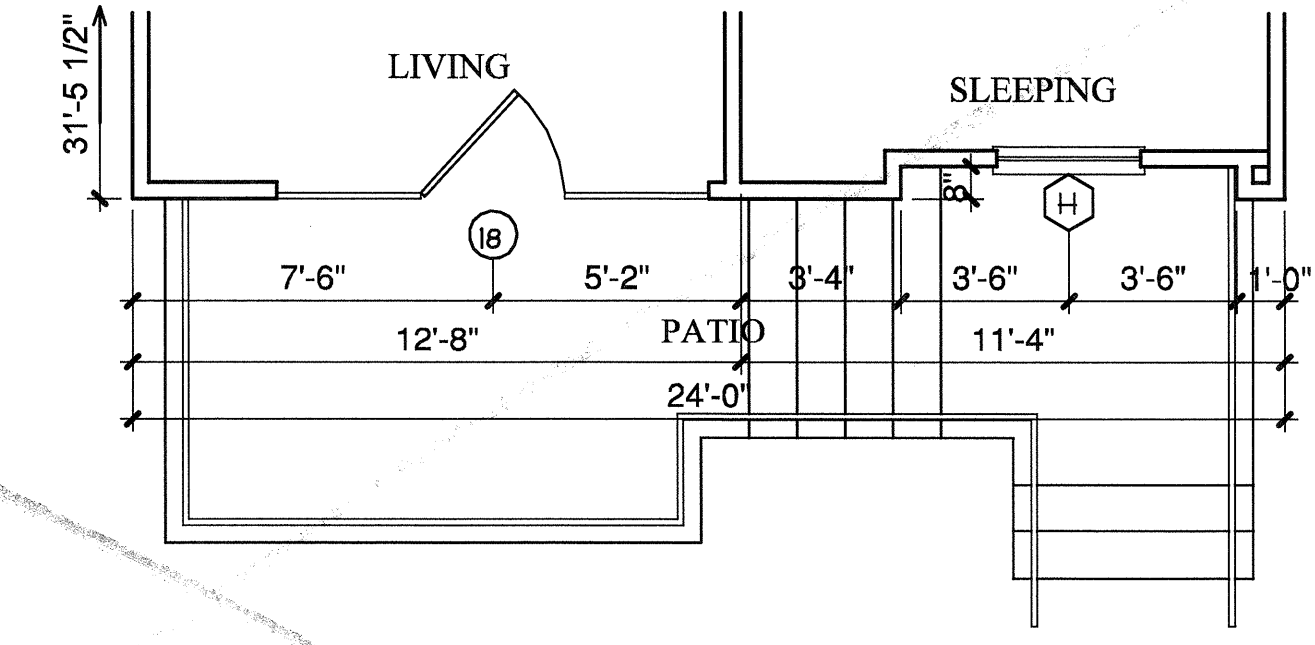
4 BATH
3/8"=1'-0"



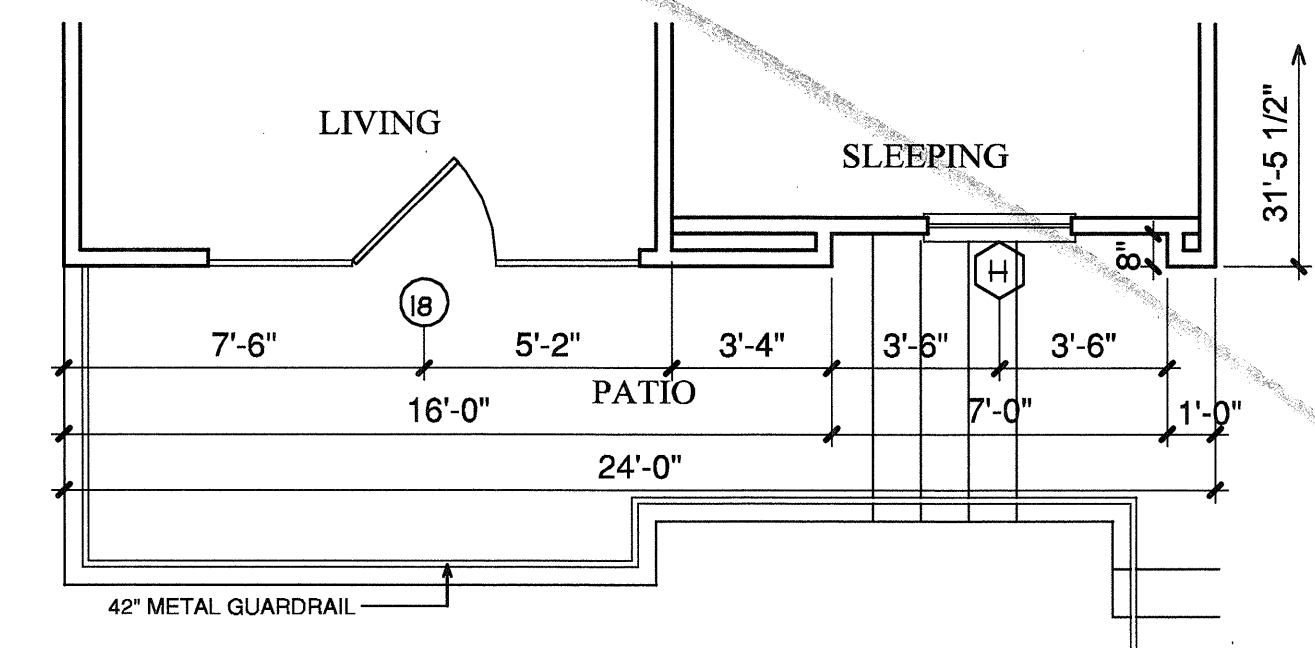
5 BATH
3/8"=1'-0"



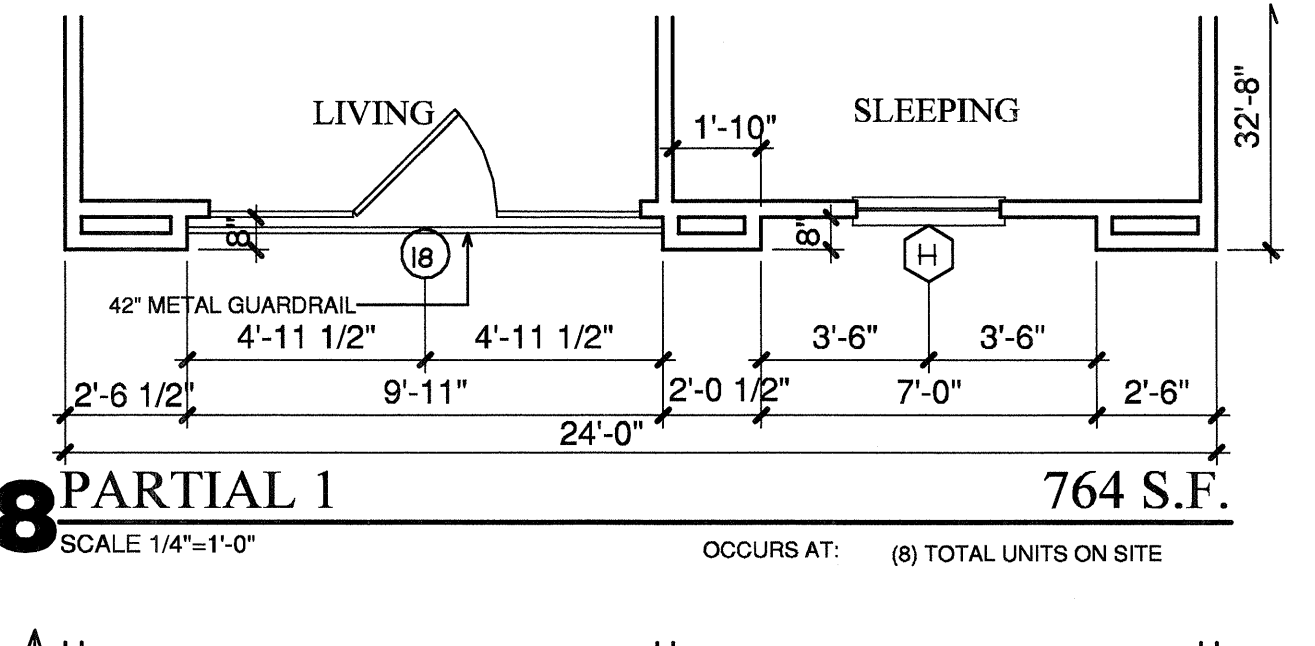
6 UTILITY
3/8"=1'-0"



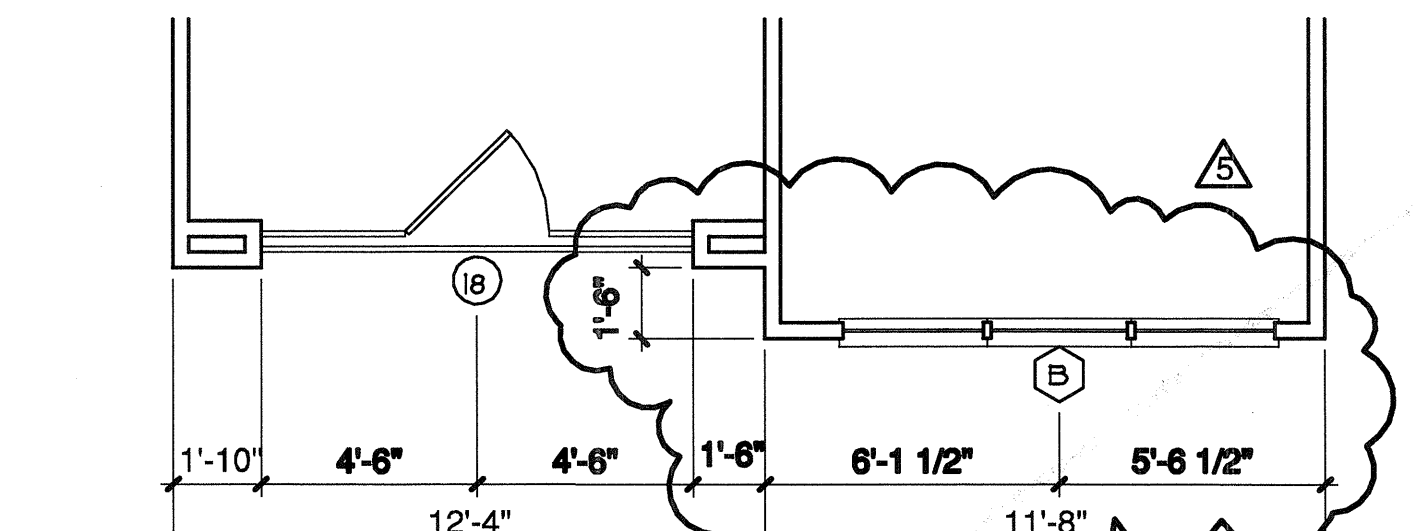
10 PARTIAL 3
SCALE 1/4"=1'-0" 764 S.F.
OCCURS AT: (1) TOTAL UNITS ON SITE



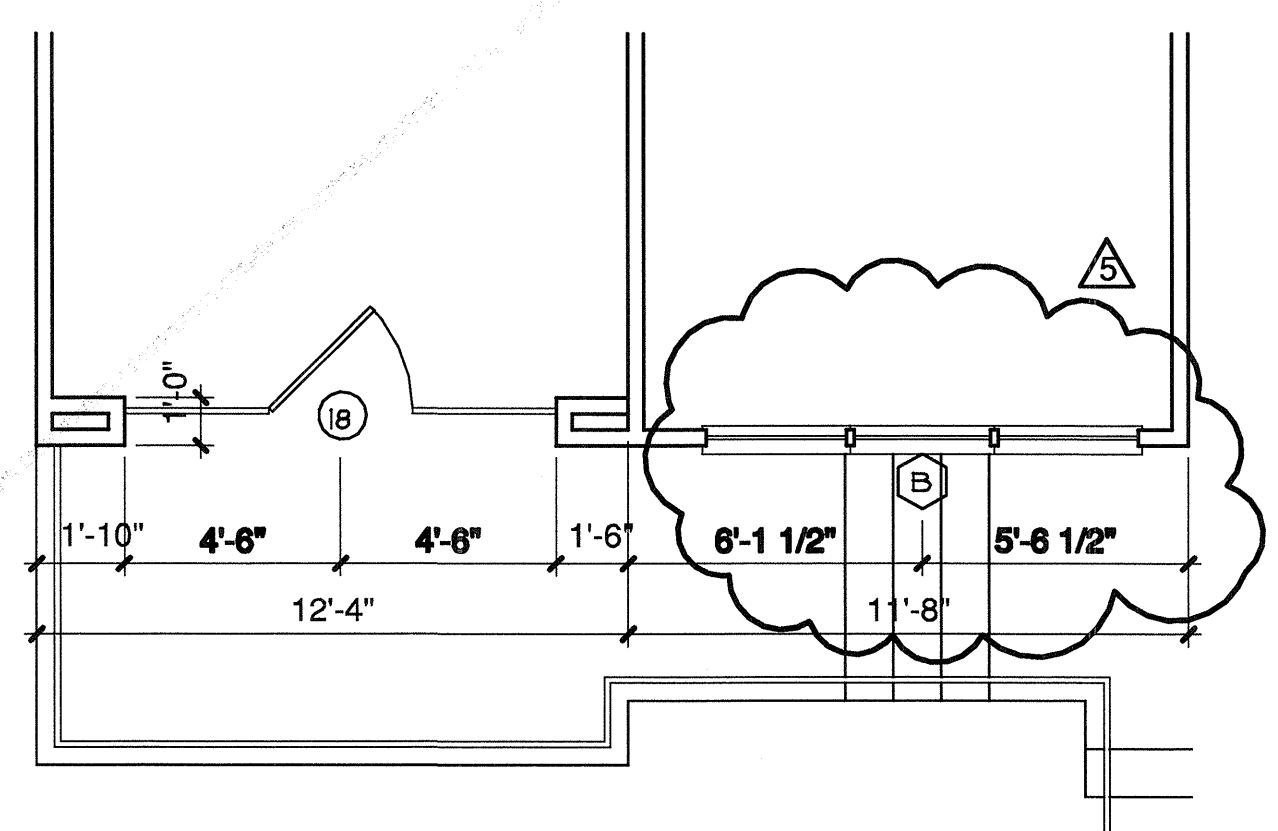
9 PARTIAL 2
SCALE 1/4"=1'-0" 764 S.F.
OCCURS AT: (5) TOTAL UNITS ON SITE



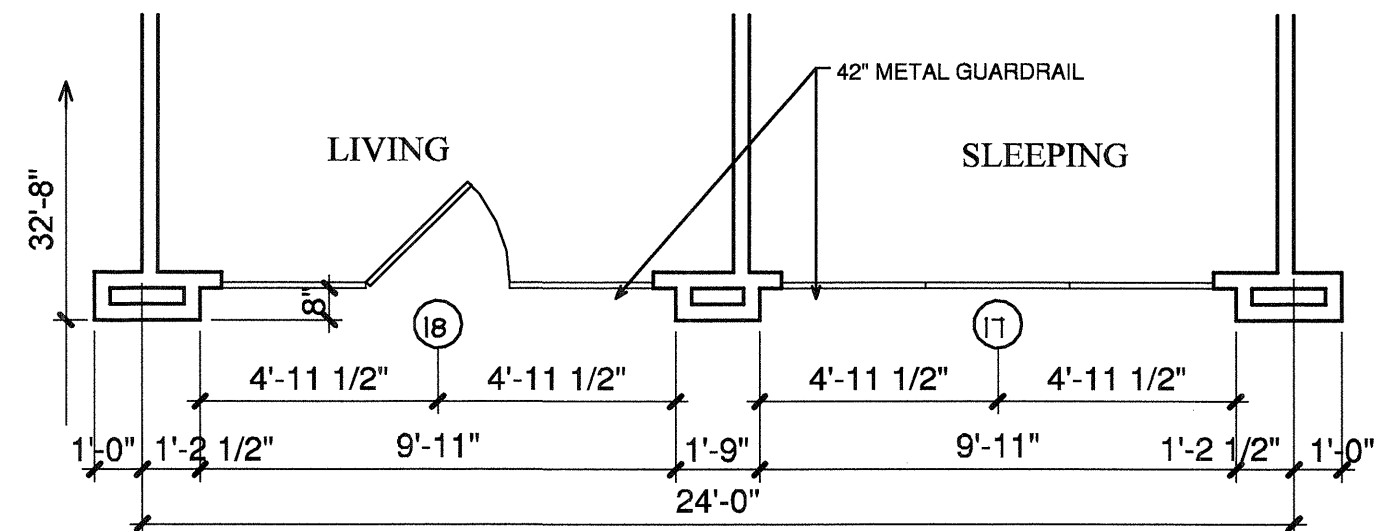
8 PARTIAL 1
SCALE 1/4"=1'-0" 764 S.F.
OCCURS AT: (8) TOTAL UNITS ON SITE



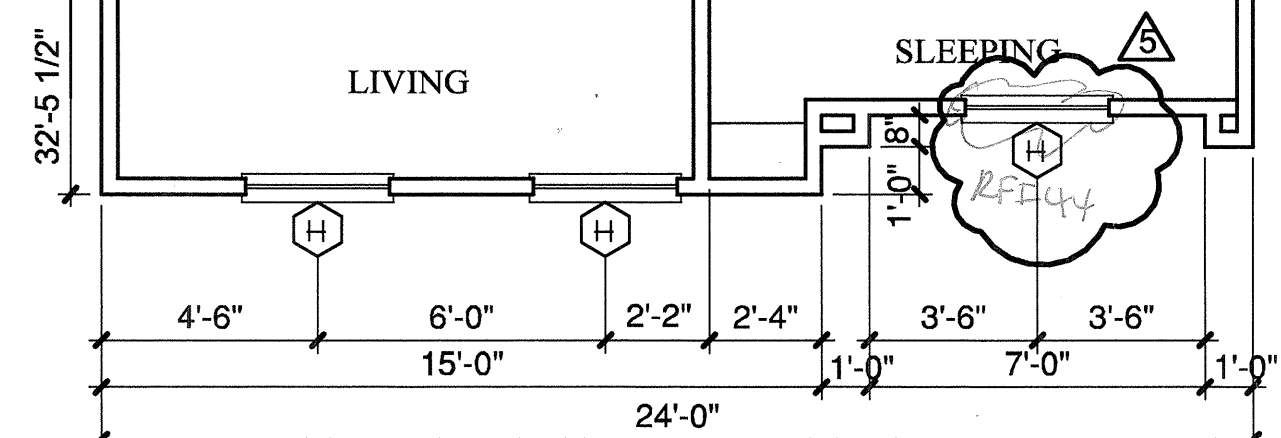
13 PARTIAL 6
SCALE 1/4"=1'-0" 764 S.F.
OCCURS AT: (3) TOTAL UNITS ON SITE



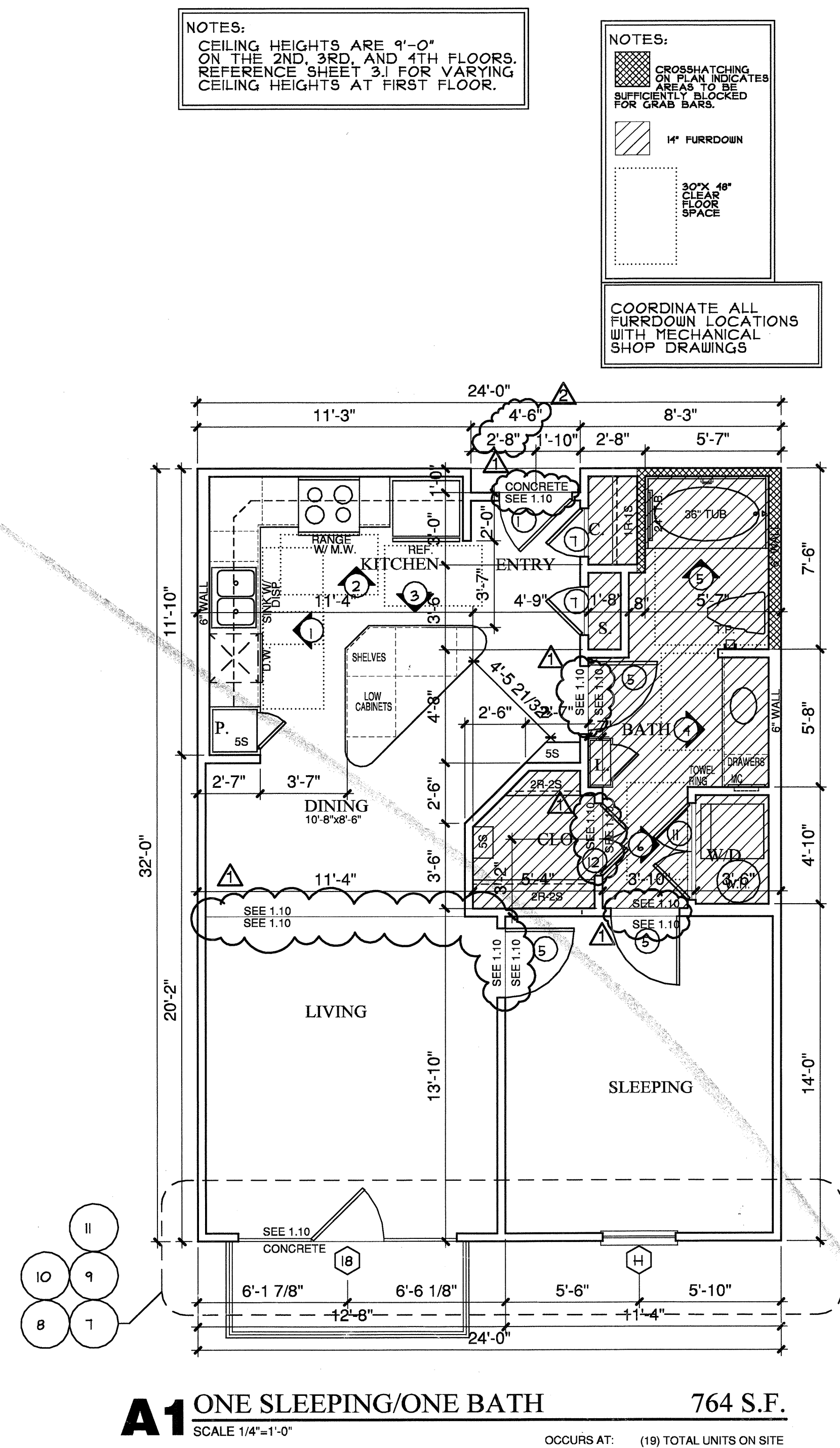
12 PARTIAL 5
SCALE 1/4"=1'-0" 764 S.F.
OCCURS AT: (3) TOTAL UNITS ON SITE



11 PARTIAL 4
SCALE 1/4"=1'-0" 764 S.F.
OCCURS AT: (3) TOTAL UNITS ON SITE



7 ALT A
SCALE 1/4"=1'-0" 776 S.F.
OCCURS AT: (18) TOTAL UNITS ON SITE



A1 ONE SLEEPING/ONE BATH
SCALE 1/4"=1'-0" 764 S.F.
OCCURS AT: (19) TOTAL UNITS ON SITE

NOTES:
CEILING HEIGHTS ARE 9'-0" ON THE 2ND, 3RD, AND 4TH FLOORS. REFERENCE SHEET 3.1 FOR VARYING CEILING HEIGHTS AT FIRST FLOOR.

NOTES:
CROSSHATCHING ON PLAN INDICATES AREAS TO BE SUFFICIENTLY BLOCKED FOR GRAB BARS.
4" FURROWDOWN
30" X 48" FLOOR SPACE

COORDINATE ALL FURROWDOWN LOCATIONS WITH MECHANICAL SHOP DRAWINGS



REVISIONS
OWNER COORDINATION 09-01-2011
ANSI/FHA COMMENTS 09-13-2011
COORDINATION 02-29-2012

KELLER SPRINGS LOFTS
LOFT APARTMENTS IN ADDISON, TEXAS

CONSTRUCTION ISSUE
10-17-2011

BGO architects
4144 N. Central Expy. Suite 855
Dallas, TX 75204
214.520.8878
bgoarchitects.com

DATE
08-05-2011
PROJECT
11129
SHEET NUMBER

2.2
A1 UNIT

COPYRIGHT © Beeler Guest Architects All Rights Reserved