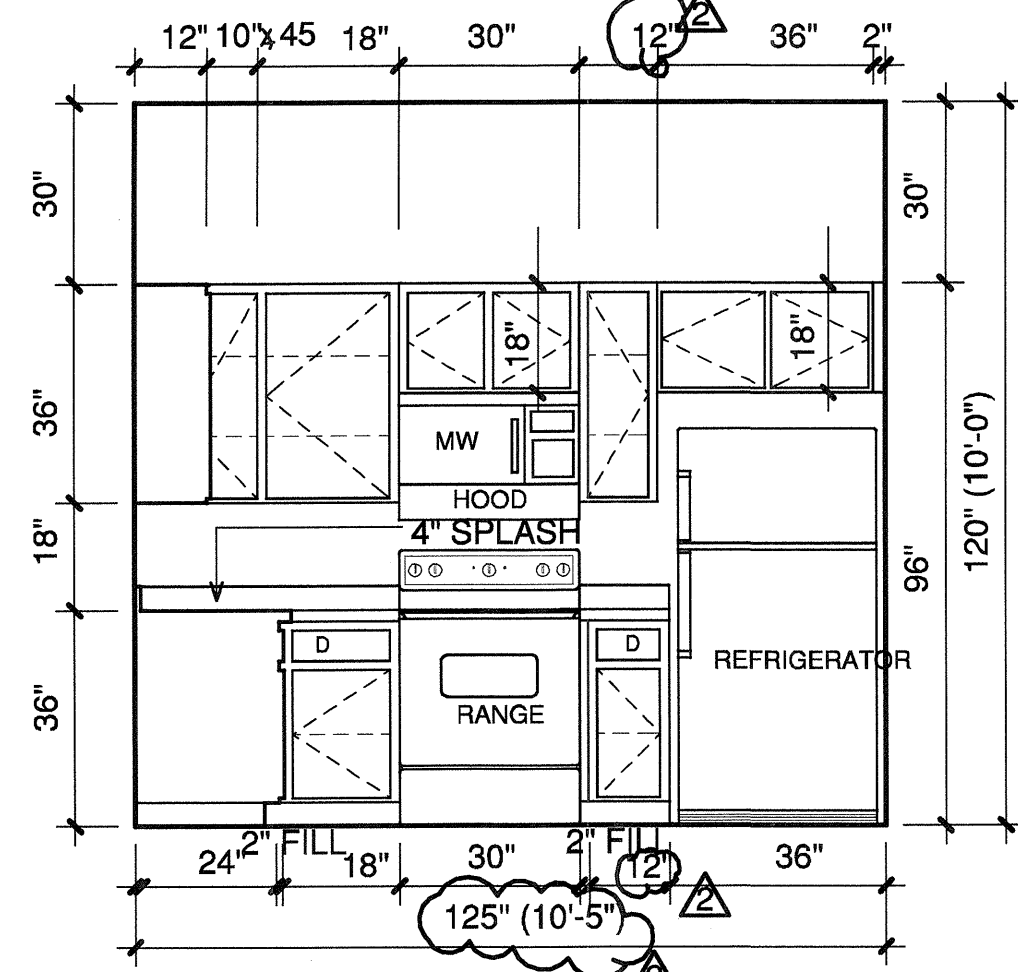
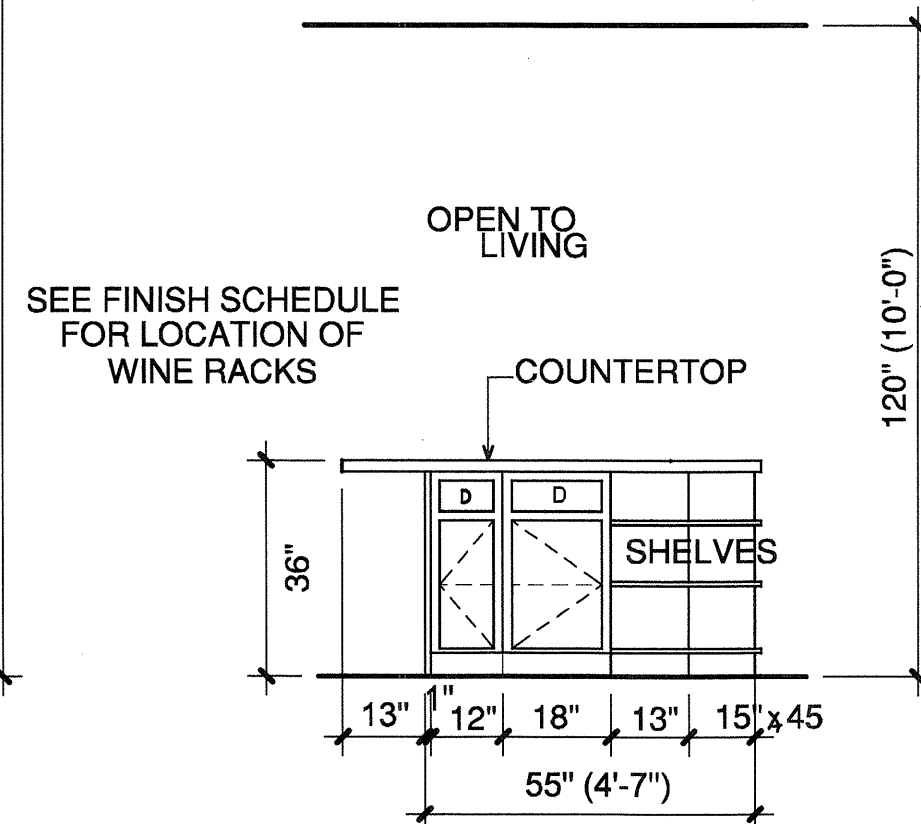


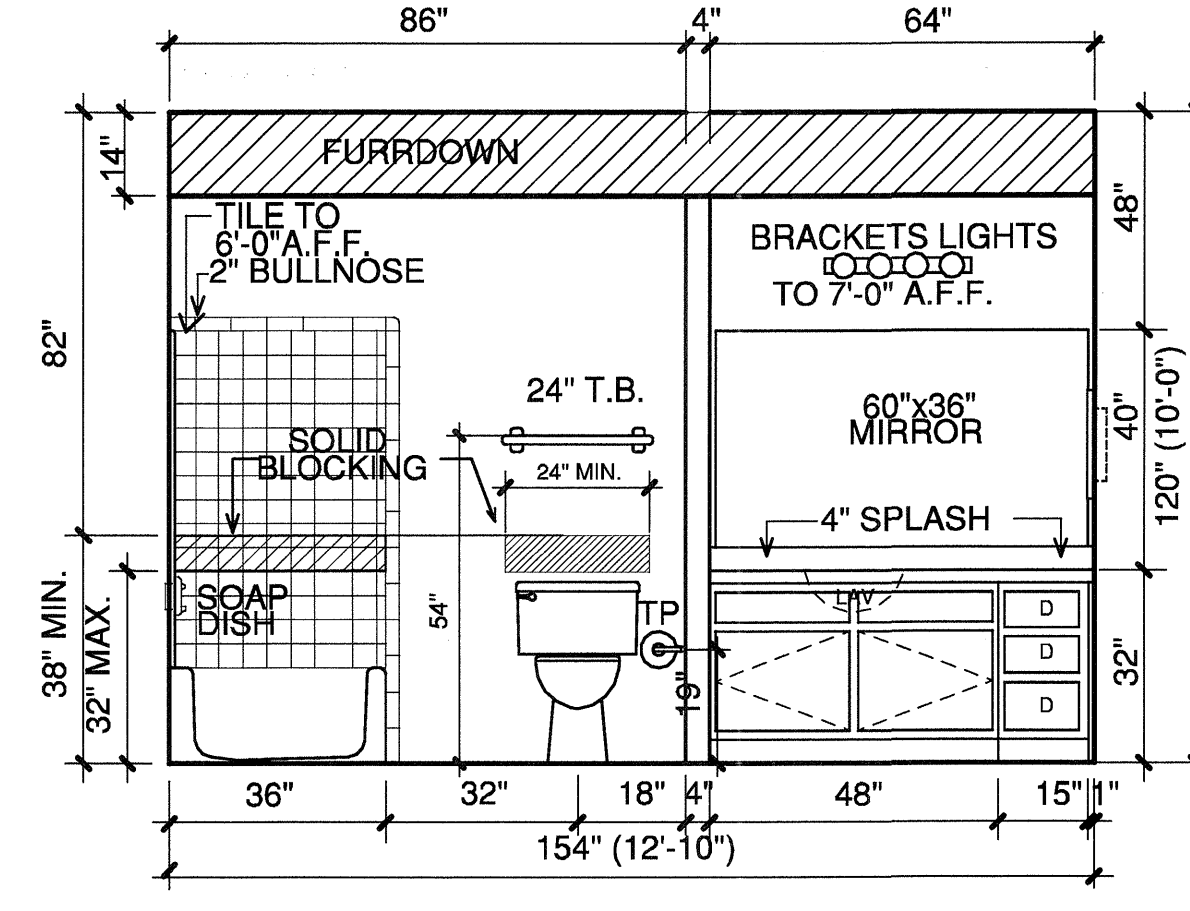
1 KITCHEN
3/8"=1'-0"



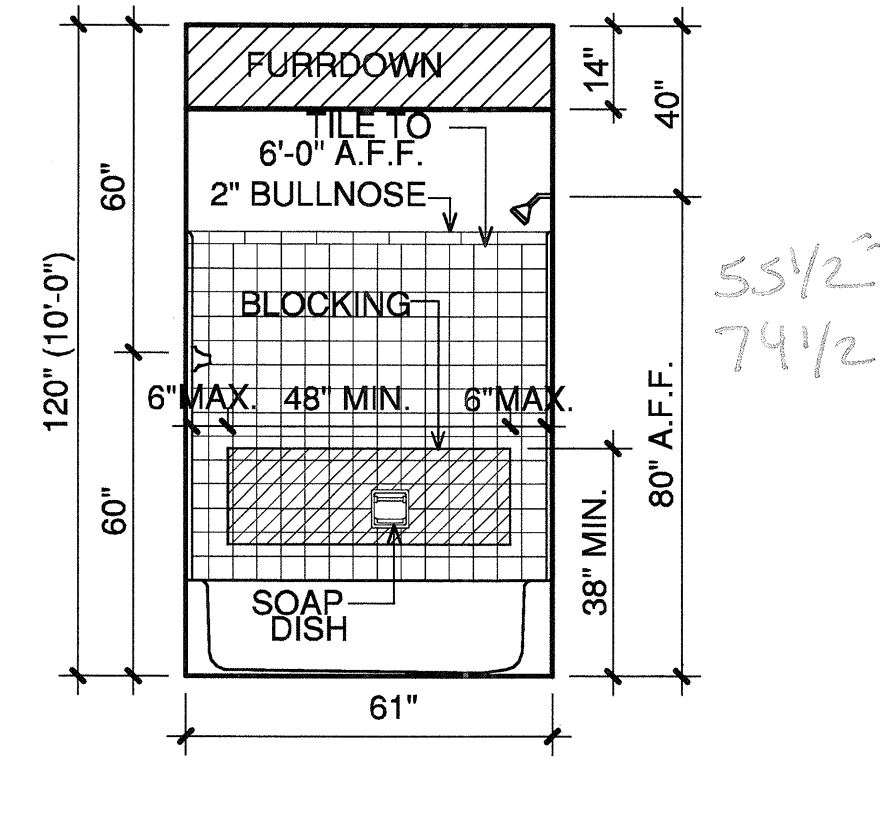
2 KITCHEN
3/8"=1'-0"



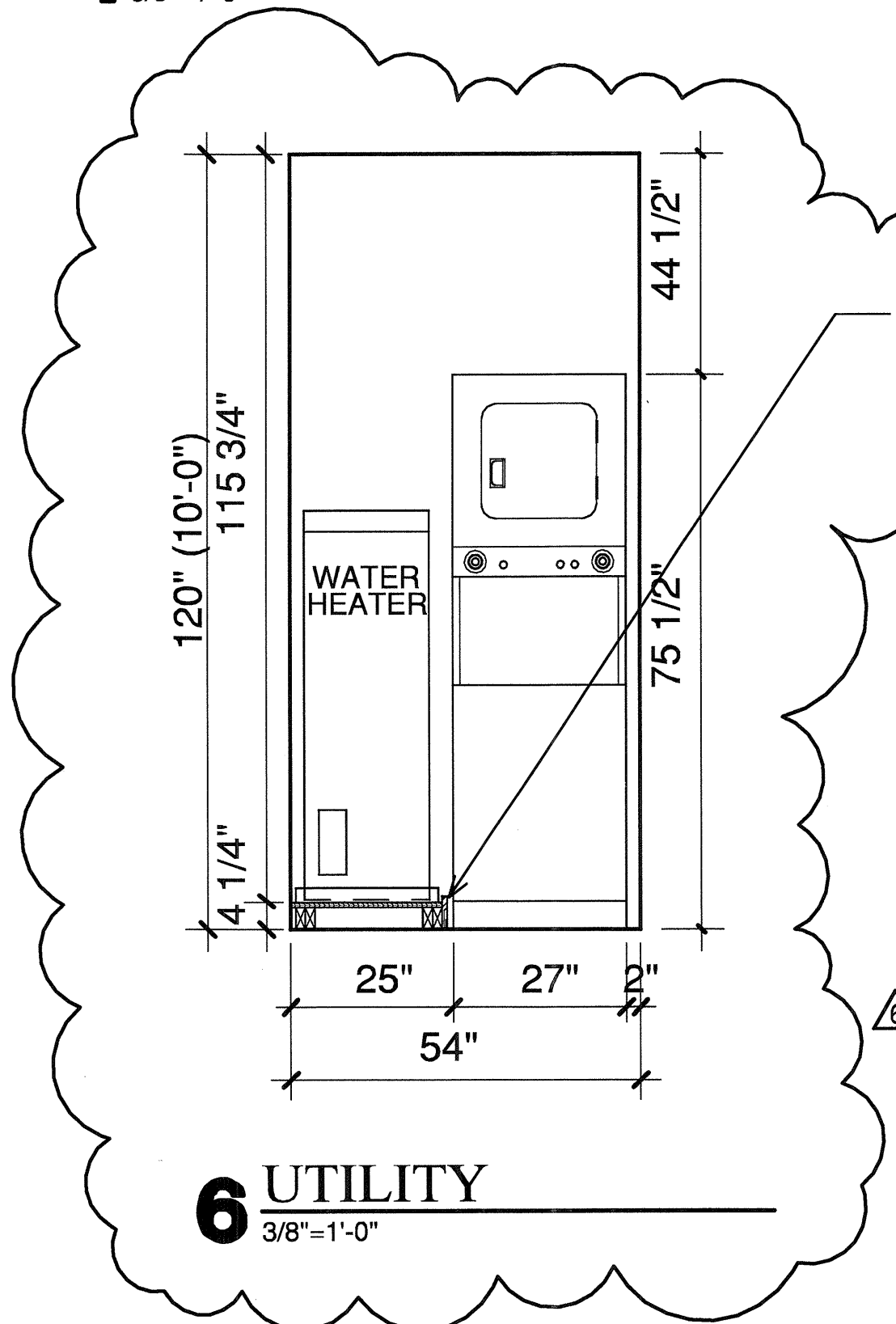
3 KITCHEN
3/8"=1'-0"



4 BATH
3/8"=1'-0"

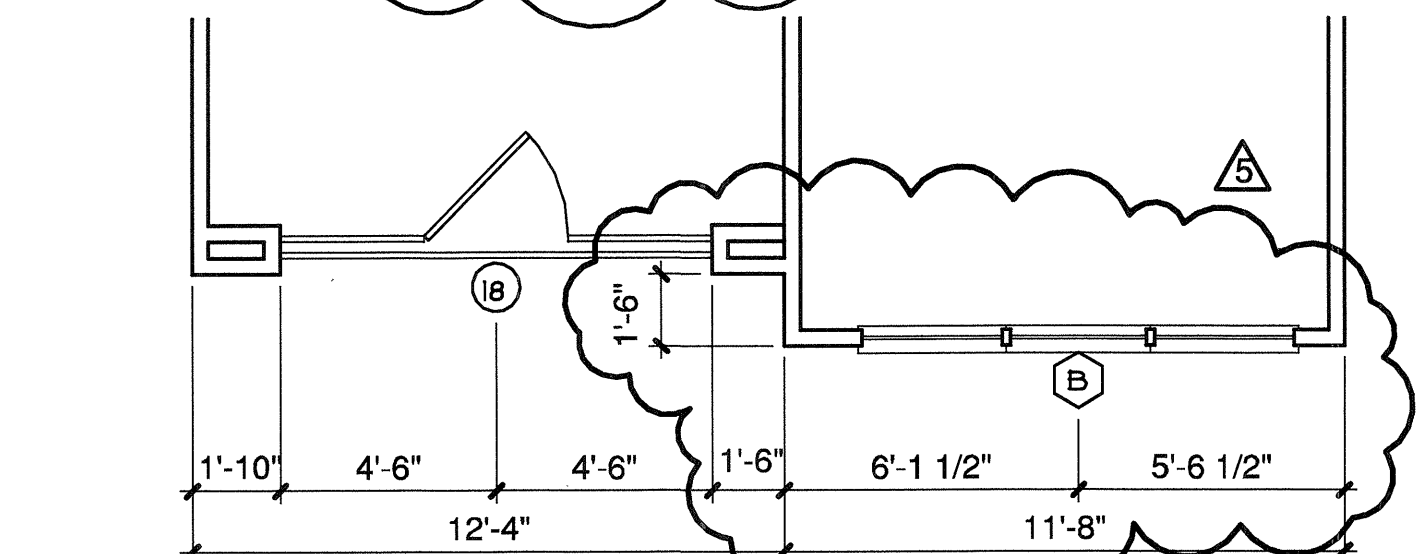


5 BATH
3/8"=1'-0"

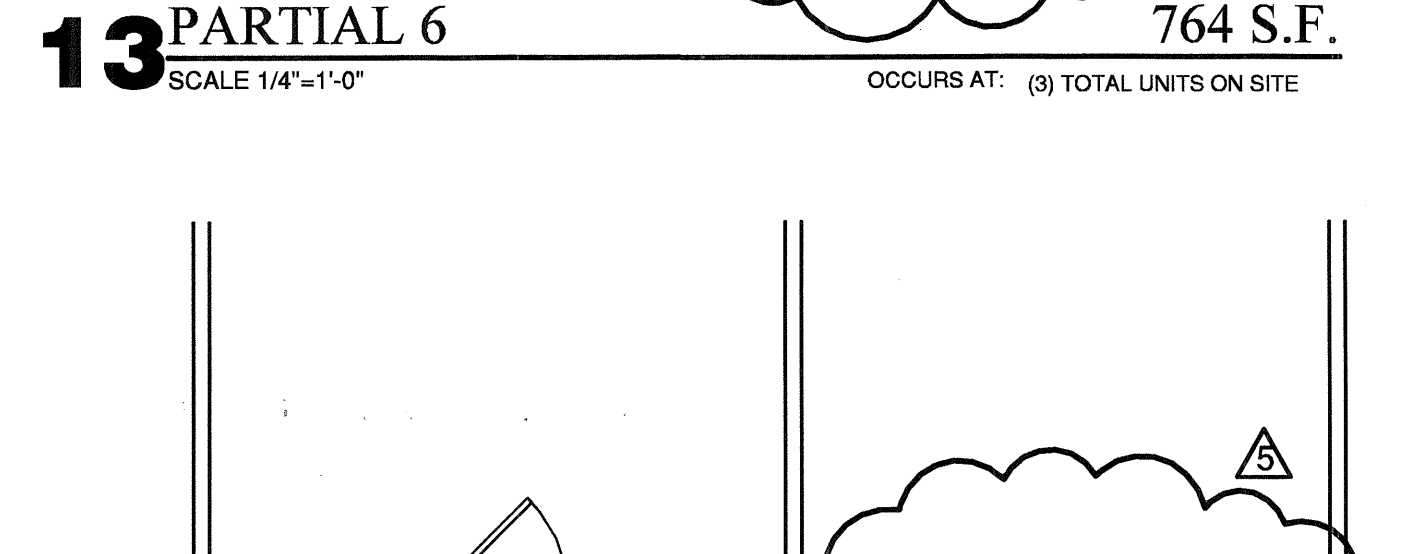


6 UTILITY
3/8"=1'-0"

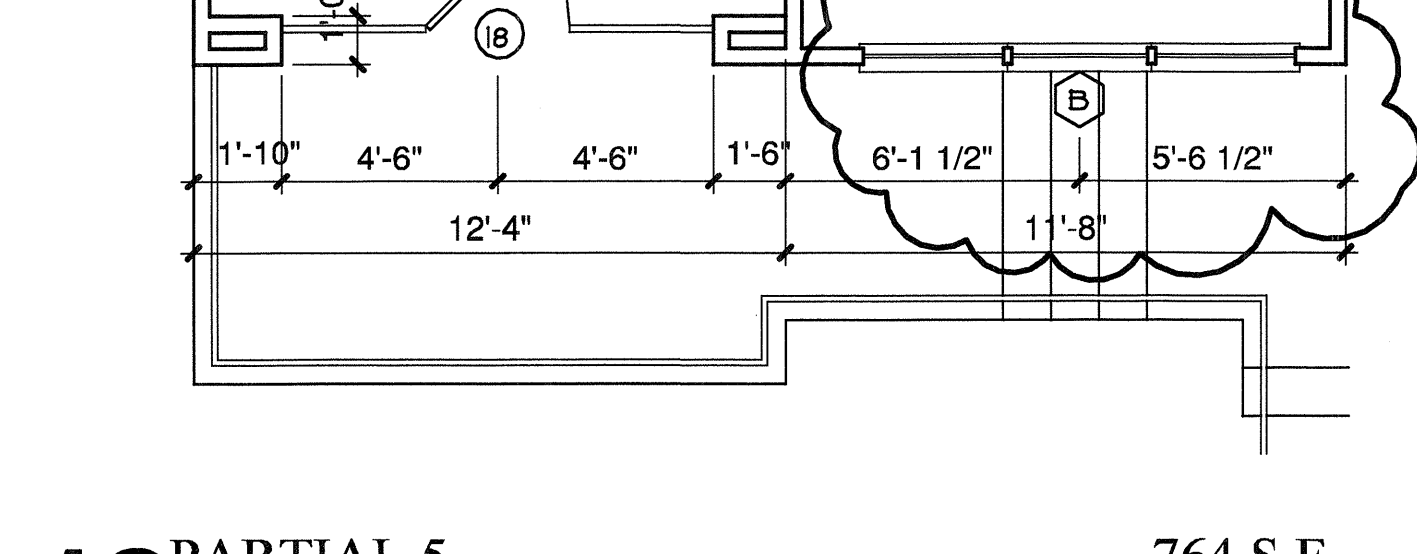
3/4" PLYWOOD W/ 12x12 VINYL TILE ON
(2) 2x4 P.T. WOOD STUDS
W/ 1x6 WOOD TRIM AROUND EDGE
- THIS DETAIL TYPICAL FOR ALL TALL BOY WATER HEATERS
- SEE MEP



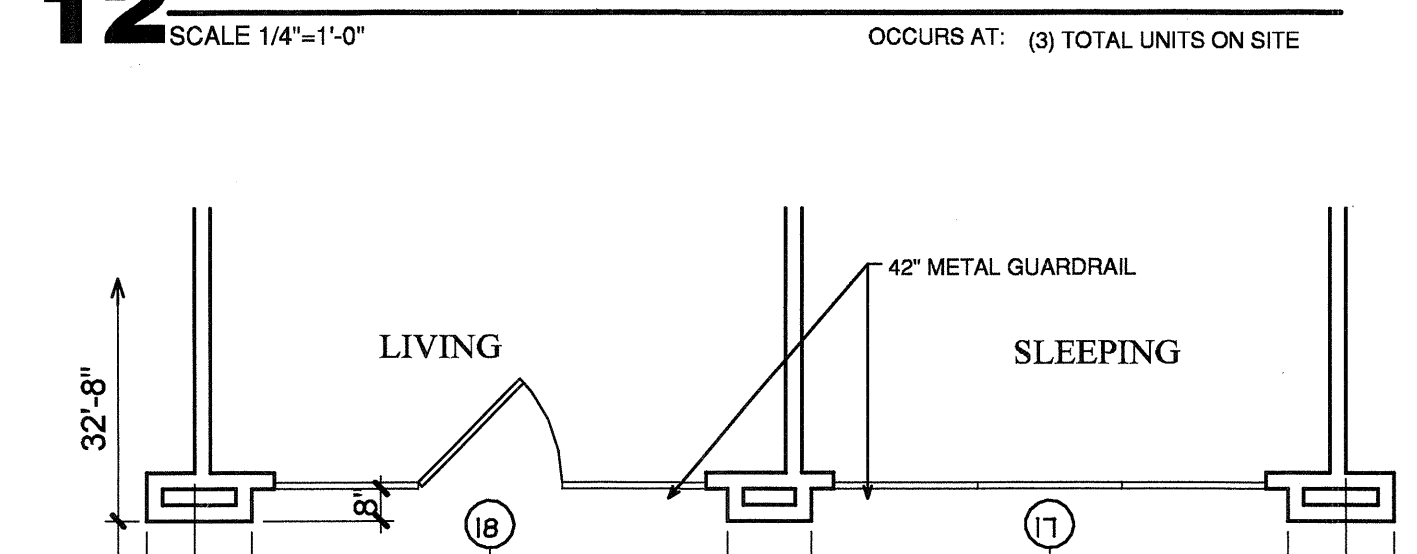
10 PARTIAL 3 764 S.F.
SCALE 1/4"=1'-0" OCCURS AT: (1) TOTAL UNITS ON SITE



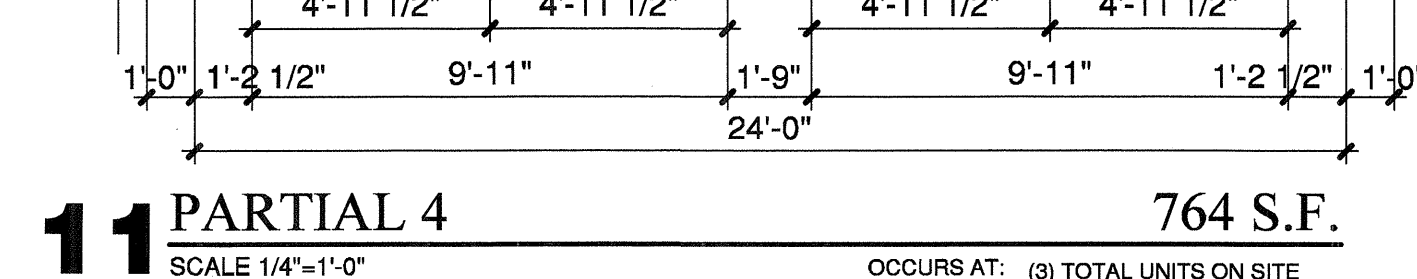
13 PARTIAL 6 764 S.F.
SCALE 1/4"=1'-0" OCCURS AT: (3) TOTAL UNITS ON SITE



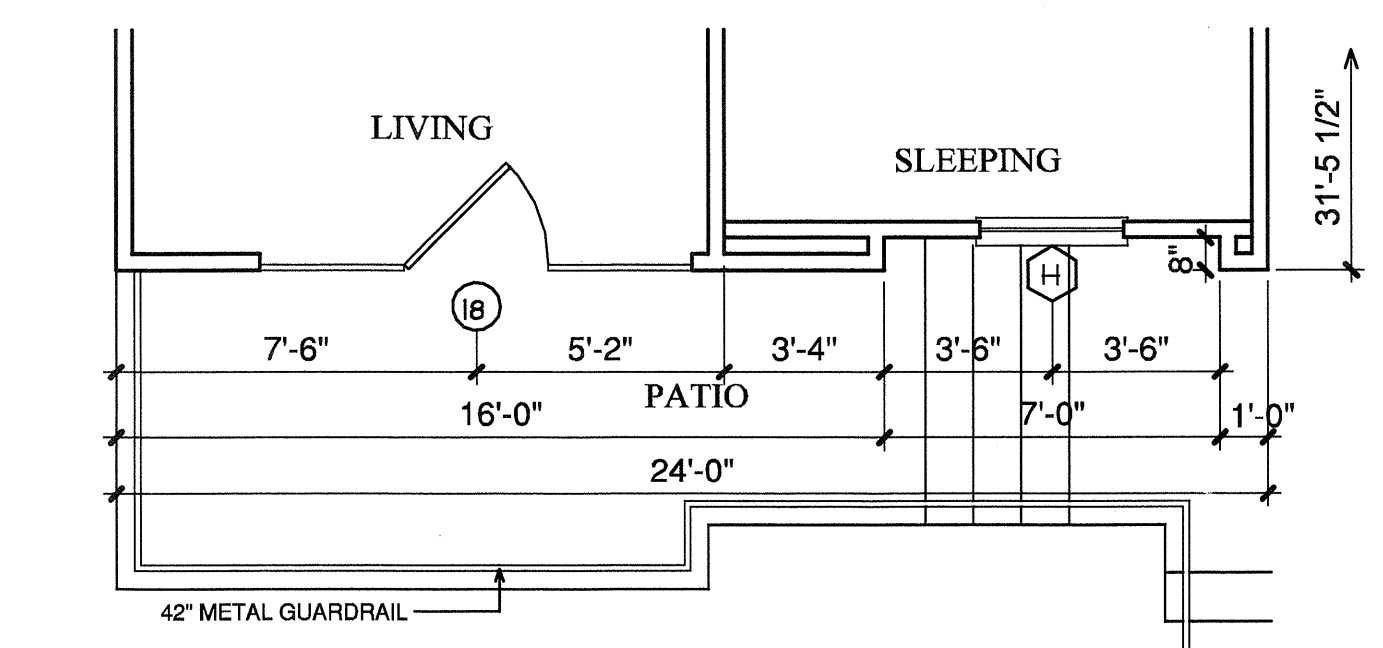
9 PARTIAL 2 764 S.F.
SCALE 1/4"=1'-0" OCCURS AT: (5) TOTAL UNITS ON SITE



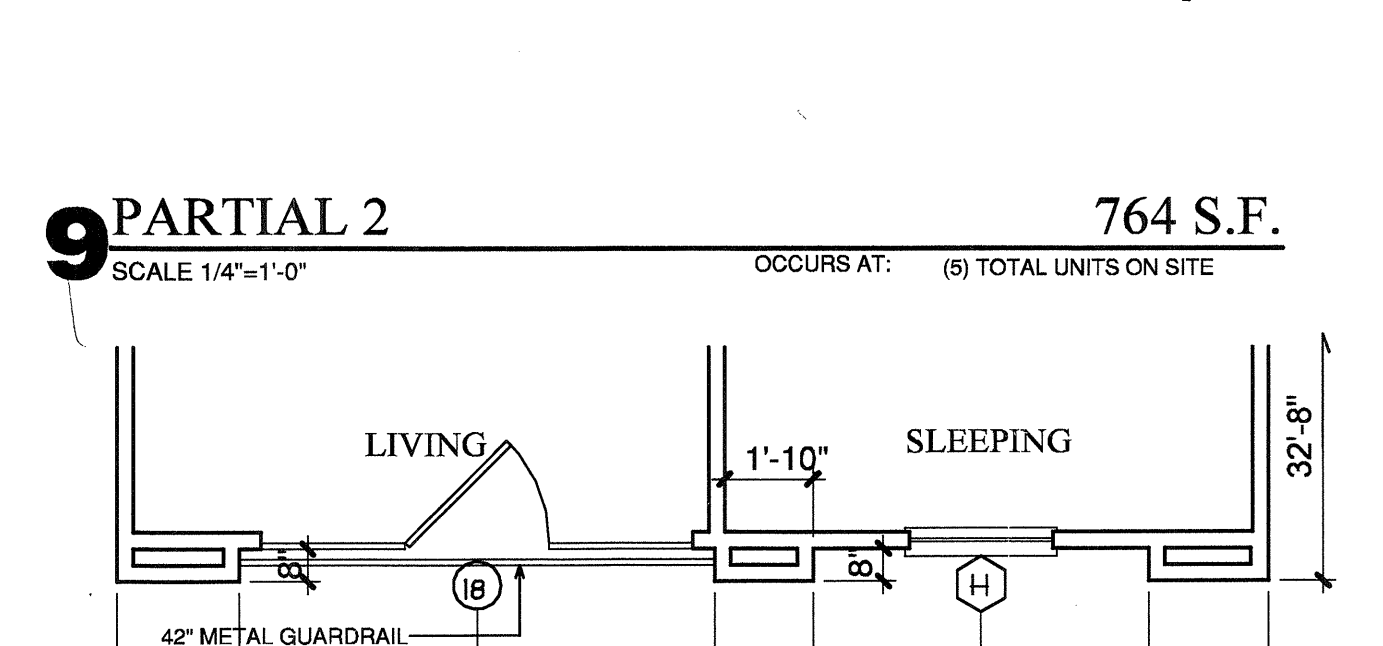
12 PARTIAL 5 764 S.F.
SCALE 1/4"=1'-0" OCCURS AT: (3) TOTAL UNITS ON SITE



11 PARTIAL 4 764 S.F.
SCALE 1/4"=1'-0" OCCURS AT: (3) TOTAL UNITS ON SITE



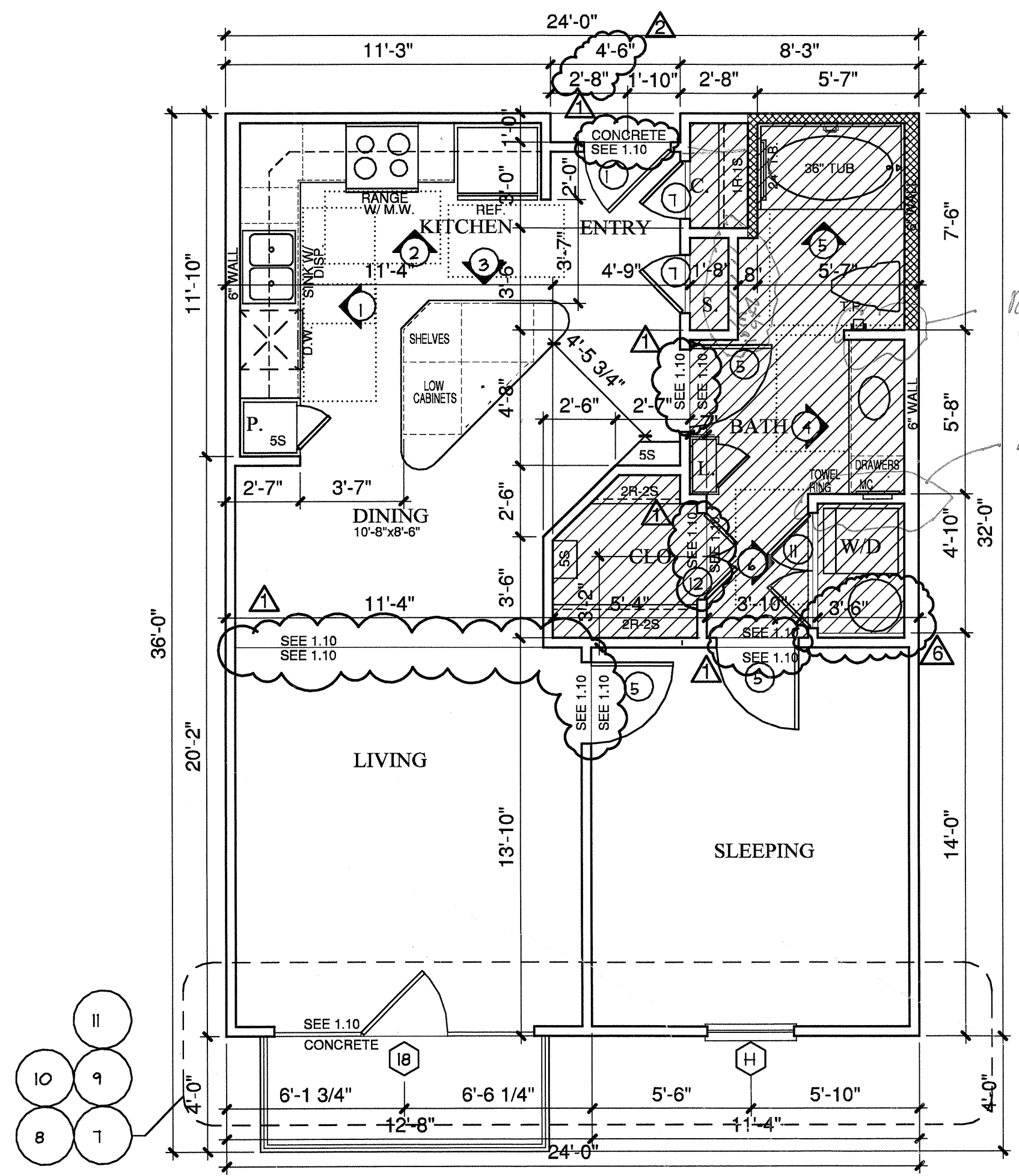
8 PARTIAL 1 764 S.F.
SCALE 1/4"=1'-0" OCCURS AT: (8) TOTAL UNITS ON SITE



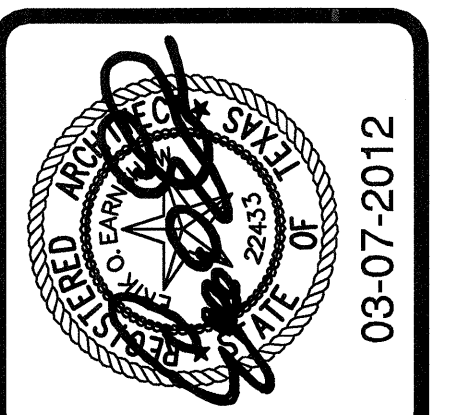
7 ALT A 776 S.F.
SCALE 1/4"=1'-0" OCCURS AT: (18) TOTAL UNITS ON SITE

NOTES:
CEILING HEIGHTS ARE 9'-0"
ON THE 2ND, 3RD, AND 4TH FLOORS.
REFERENCE SHEET 3.1 FOR VARYING
CEILING HEIGHTS AT FIRST FLOOR.

NOTES:
PROBING/TESTING ON PLAN INDICATES
SUFFICIENTLY BLOCKED
FOR GRAB BARS.
1" FURRDOWN
30" X 48" CLIP
FLOOR SPACE
COORDINATE ALL
FURRDOWN LOCATIONS
WITH MECHANICAL
SHOP DRAWINGS



A1 ONE SLEEPING/ONE BATH 764 S.F.
SCALE 1/4"=1'-0" OCCURS AT: (19) TOTAL UNITS ON SITE



REVISIONS

OWNER COORDINATION	09-01-2011
ANSI/FHA COMMENTS	09-13-2011
COORDINATION	02-29-2012
COORDINATION	04-17-2012

KELLER SPRINGS LOFTS
LOFT APARTMENTS IN ADDISON, TEXAS

CONSTRUCTION ISSUE
10-17-2011

BGO architects
4144 N. Central Expy.
Suite 855
Dallas, TX 75204
214.520.8878
bgoarchitects.com

DATE
08-05-2011
PROJECT
11129
SHEET NUMBER

2.2
A1 UNIT

COPYRIGHT © Beair, Guest, Owens Architects All Rights Reserved