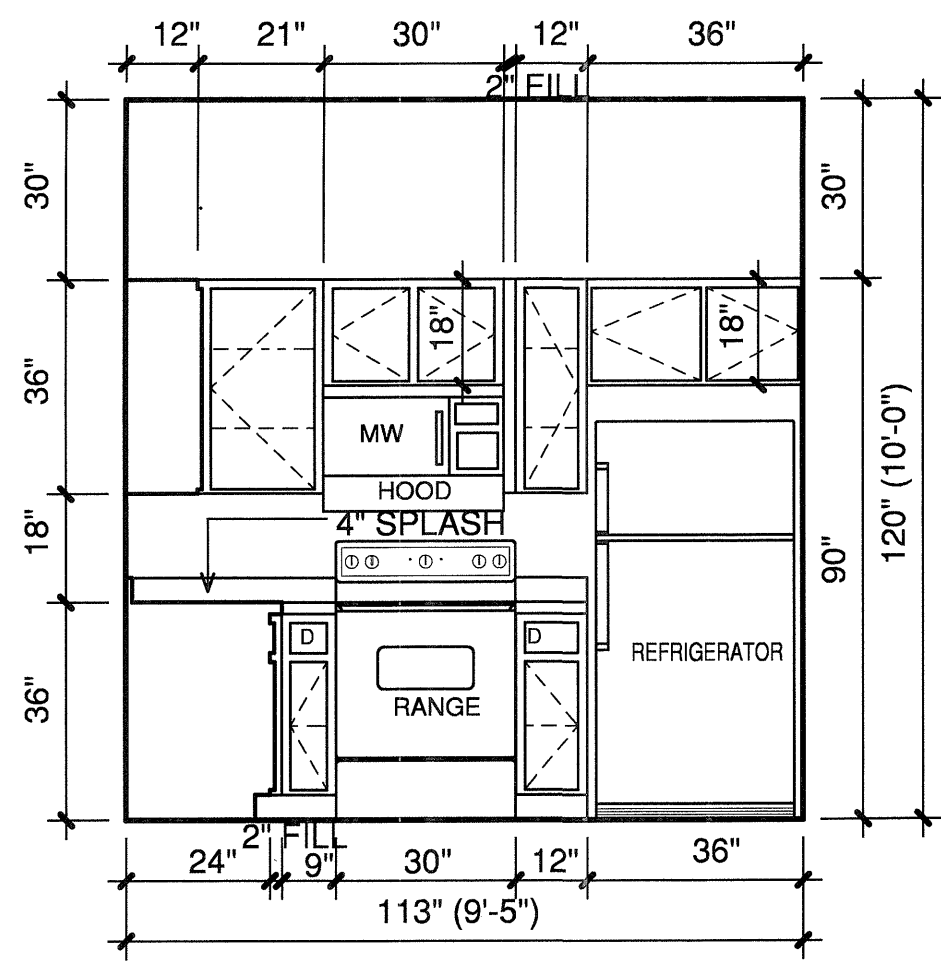
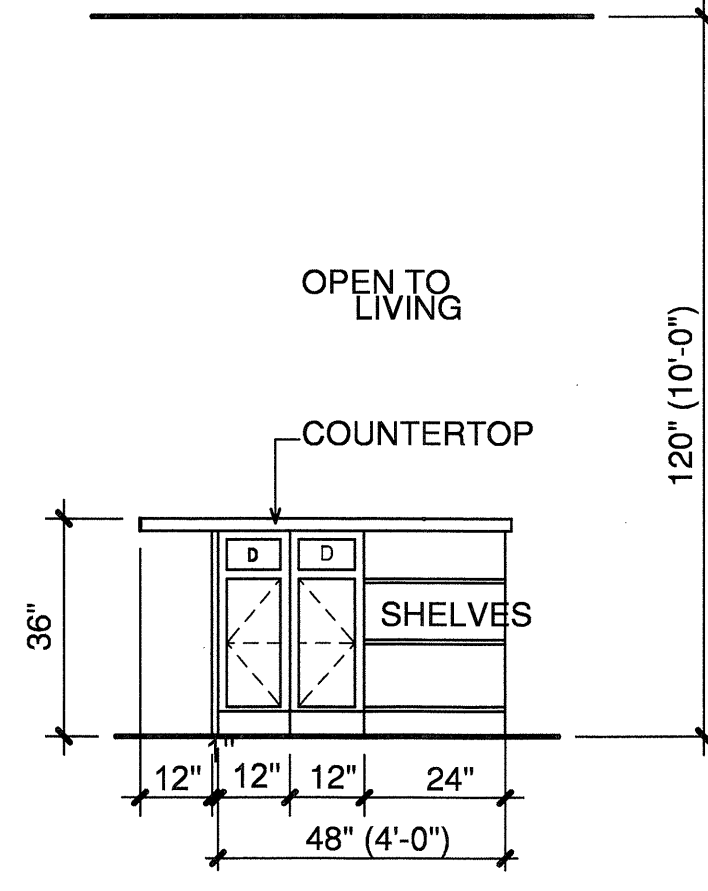


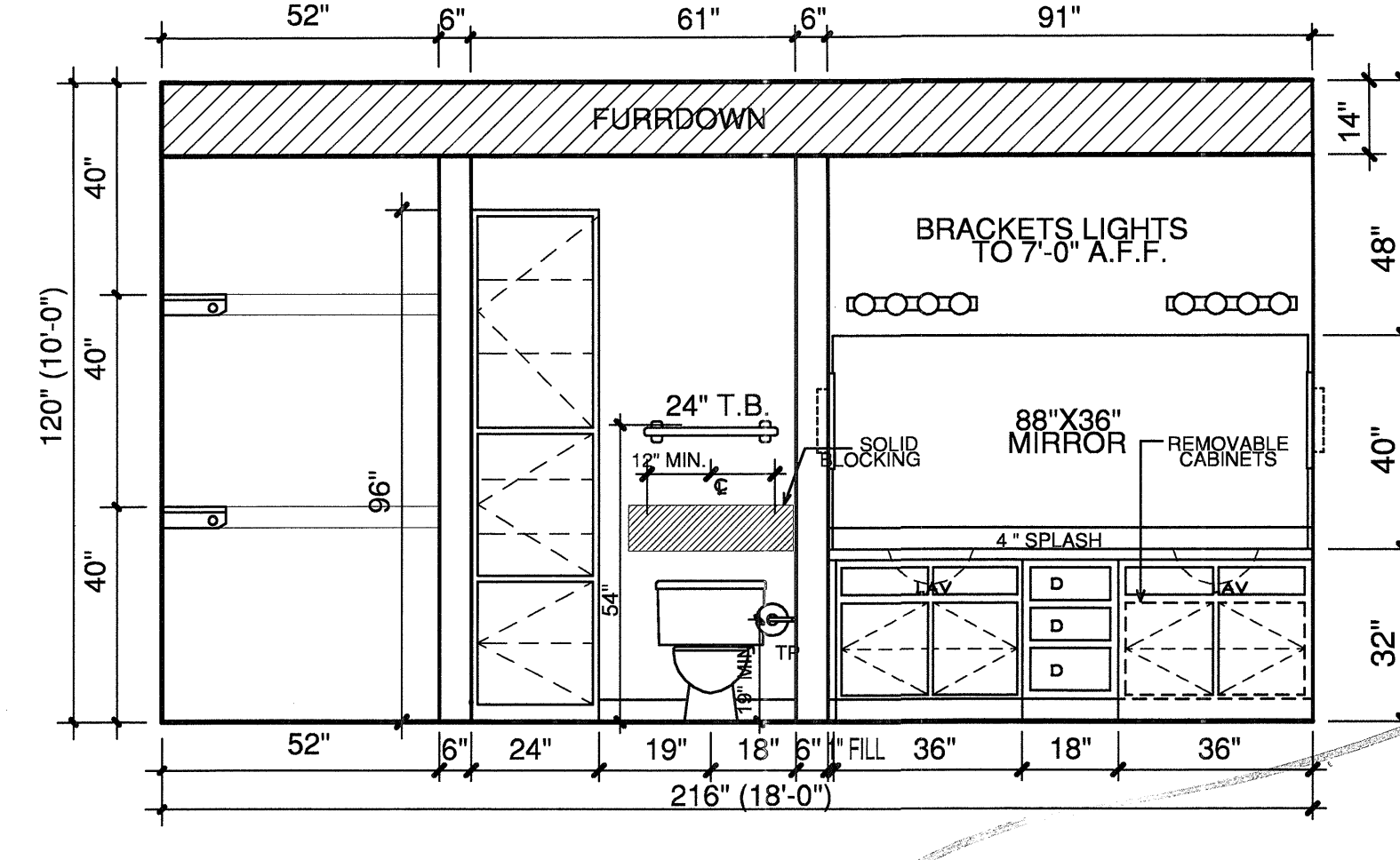
1 KITCHEN
3/8"=1'-0"



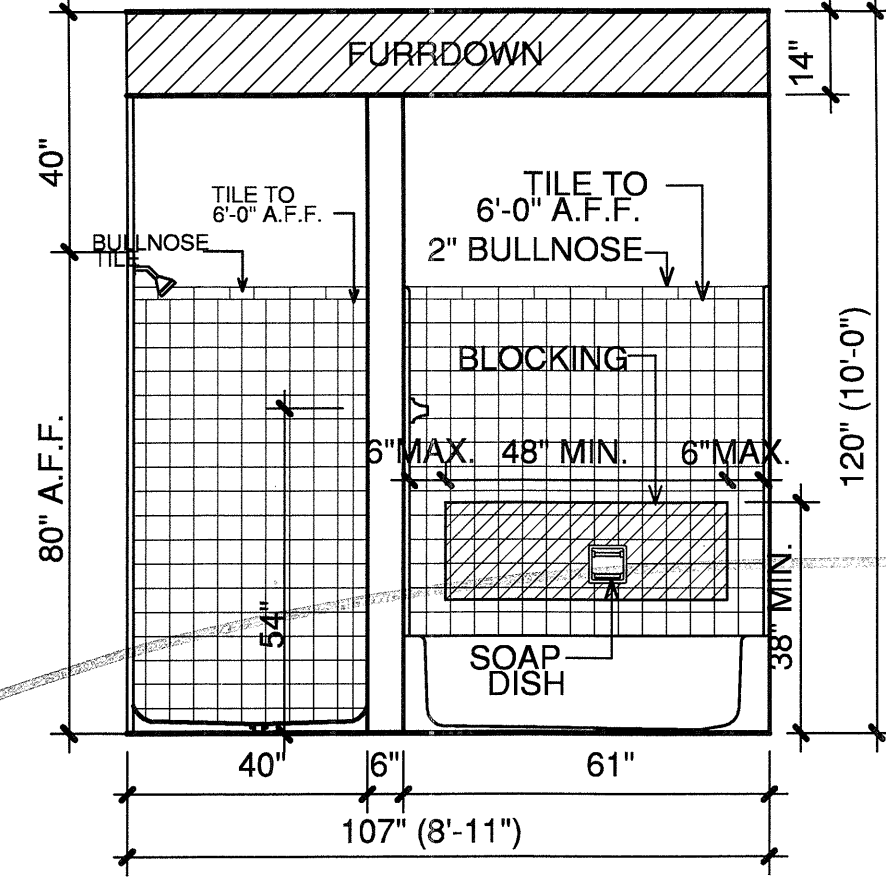
2 KITCHEN
3/8"=1'-0"



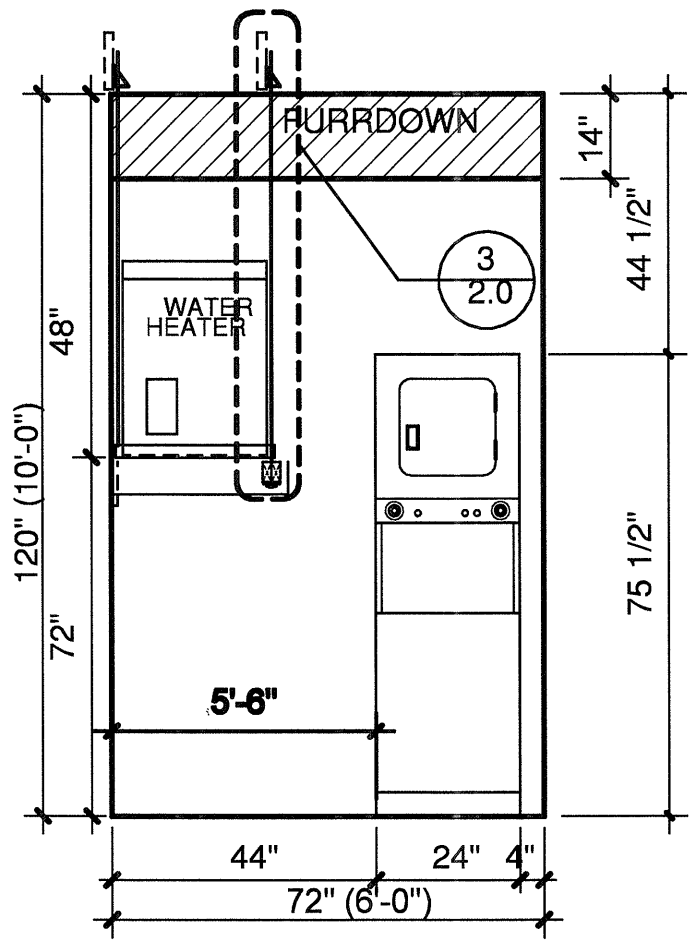
3 KITCHEN
3/8"=1'-0"



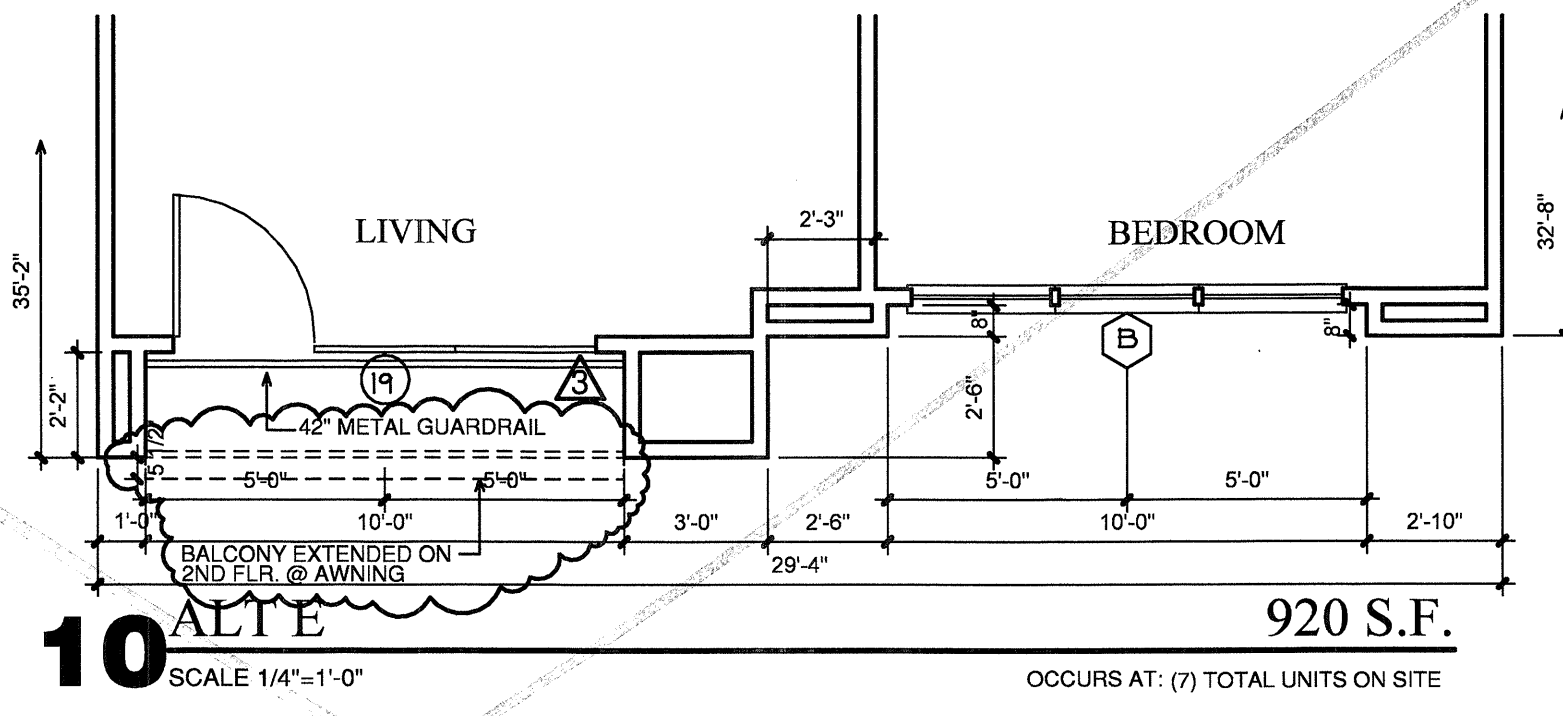
4 BATH
3/8"=1'-0"



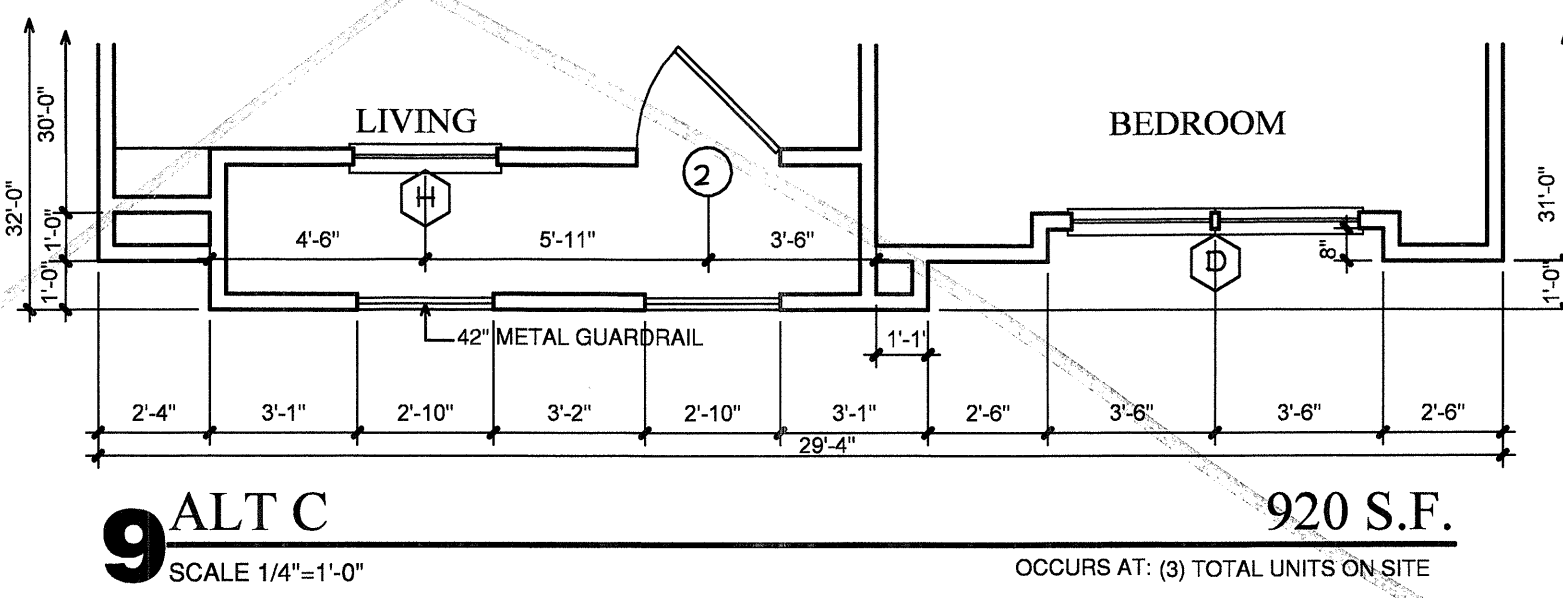
5 BATH
3/8"=1'-0"



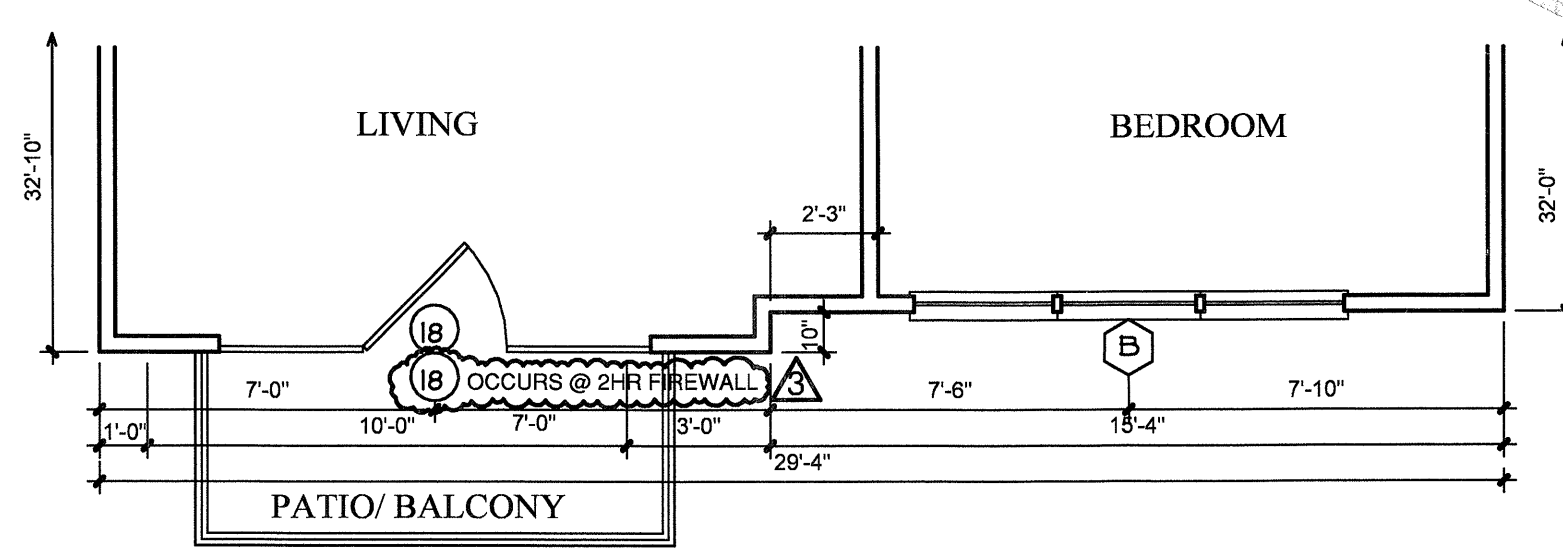
6 UTILITY
3/8"=1'-0"



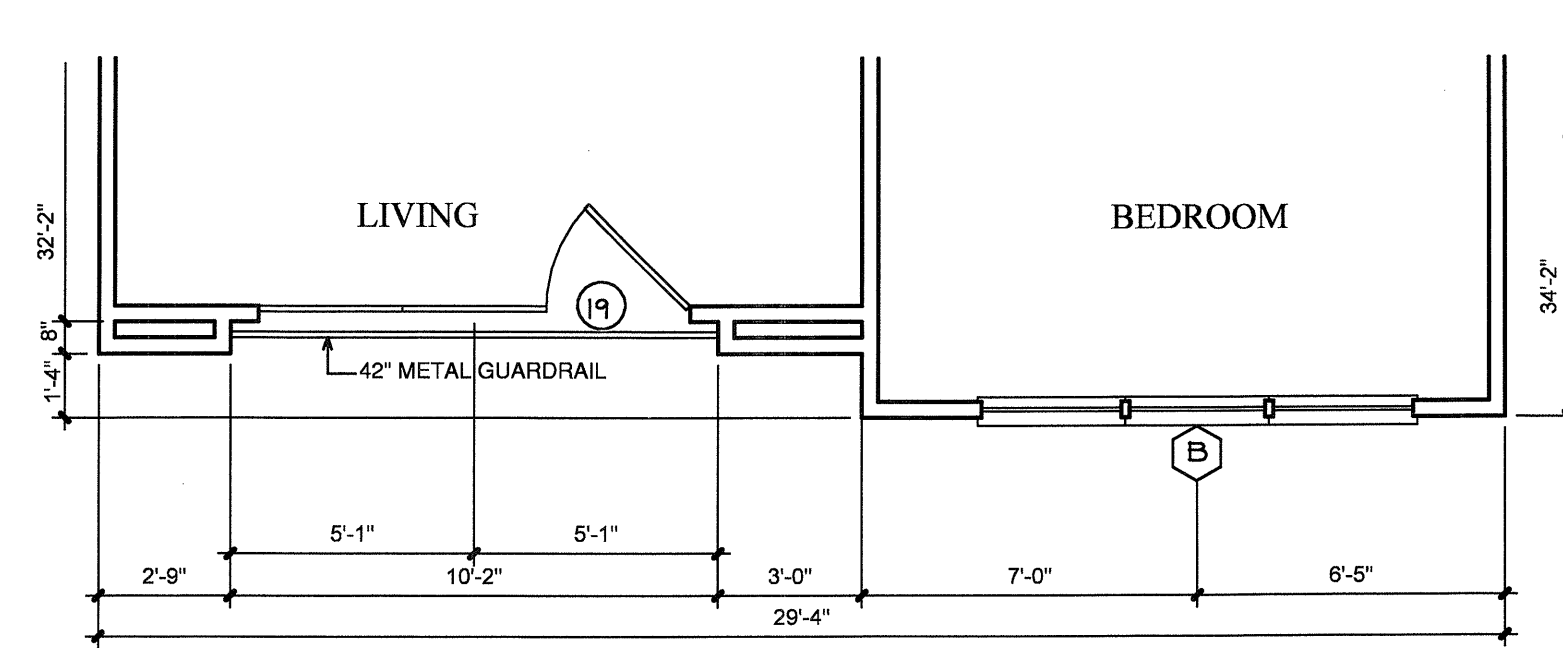
10 ALT E
SCALE 1/4"=1'-0" OCCURS AT: (7) TOTAL UNITS ON SITE



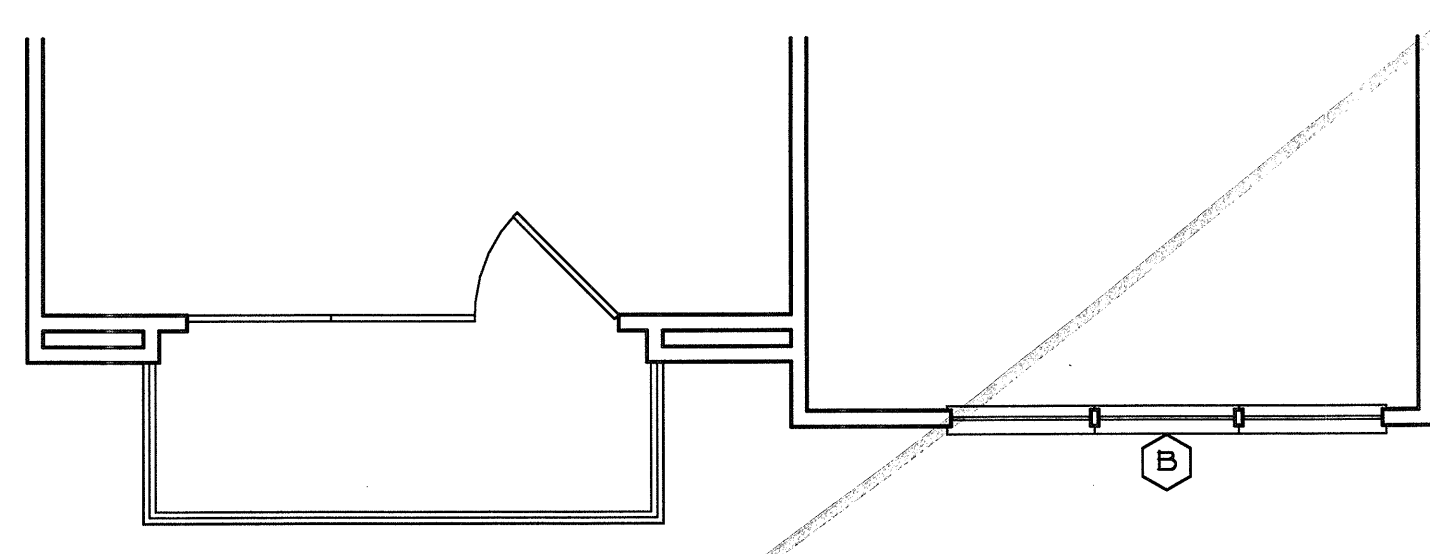
9 ALT C
SCALE 1/4"=1'-0" OCCURS AT: (3) TOTAL UNITS ON SITE



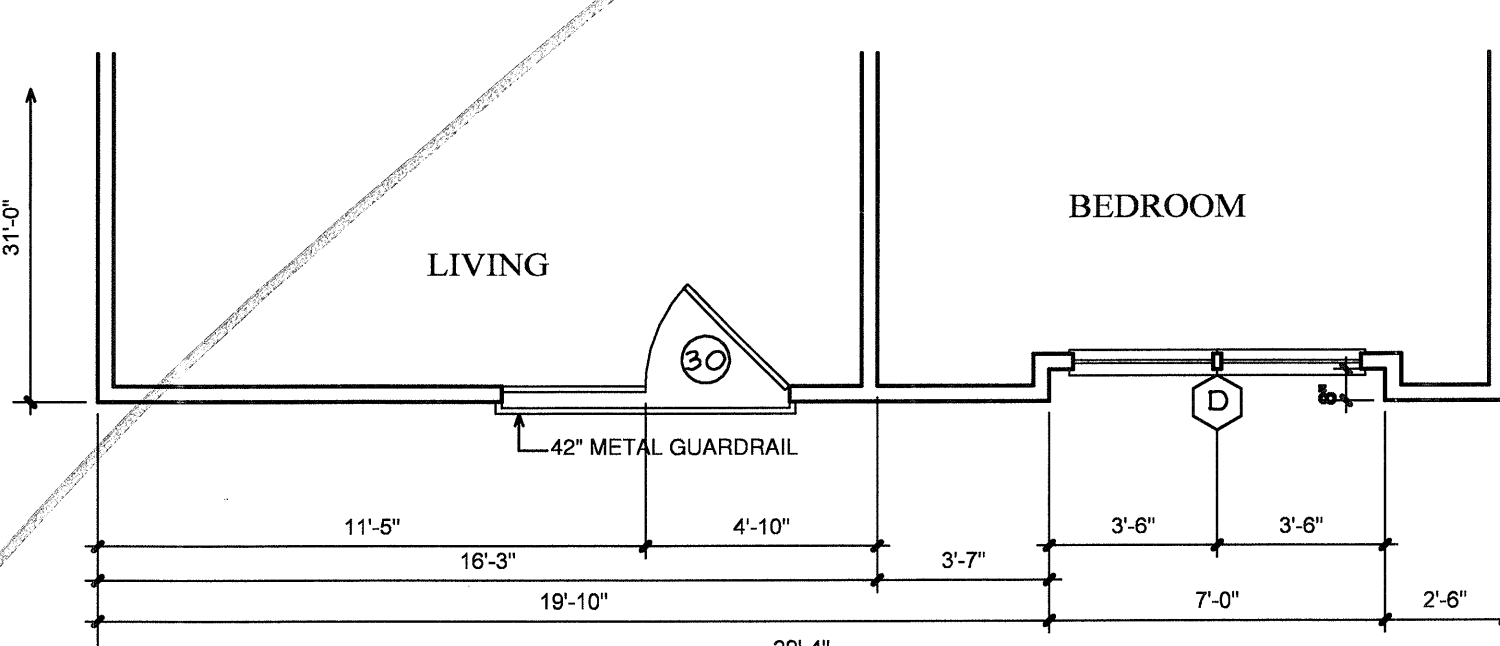
8 ALT B
SCALE 1/4"=1'-0" OCCURS AT: (12) TOTAL UNITS ON SITE



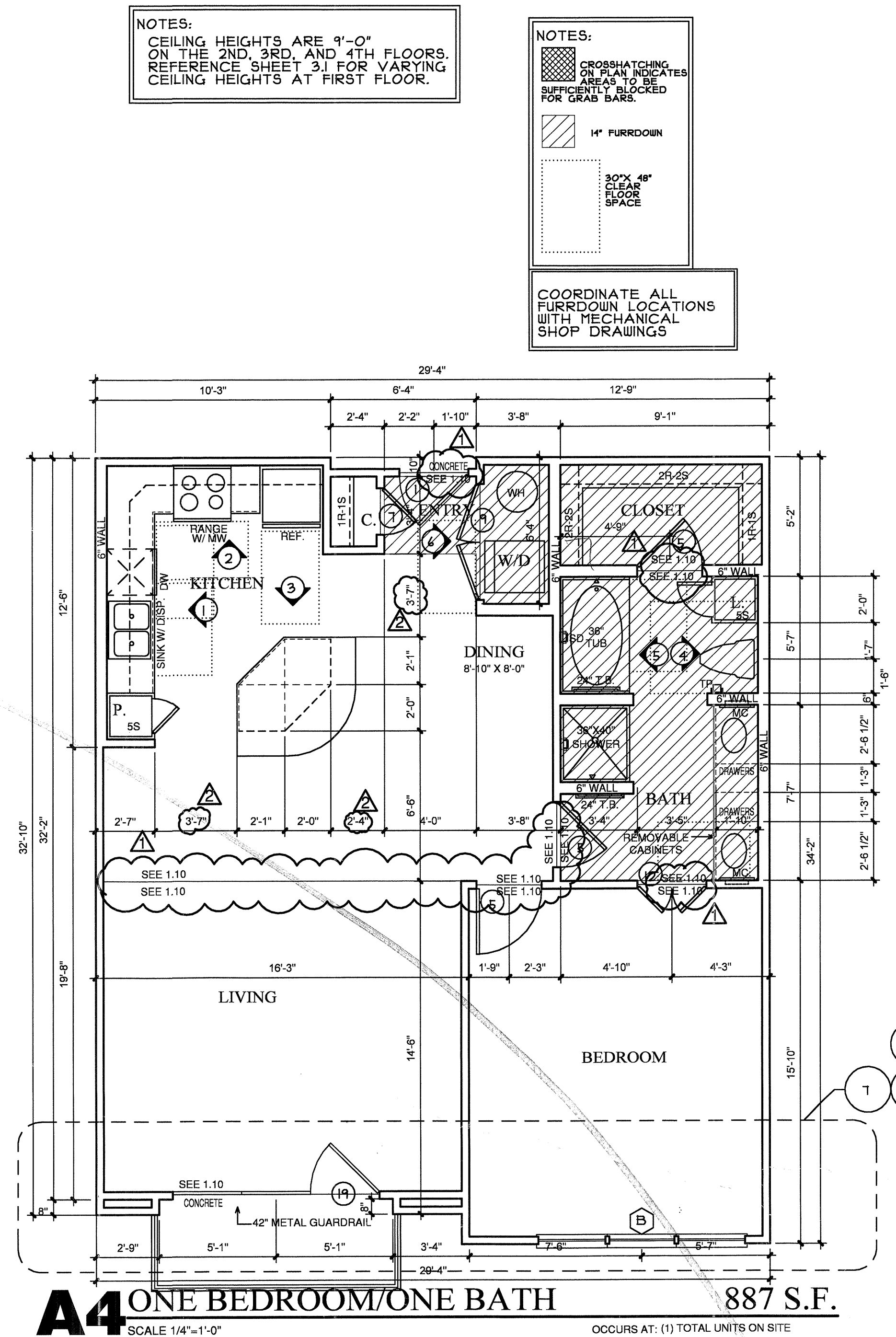
7 ALT A
SCALE 1/4"=1'-0" OCCURS AT: (19) TOTAL UNITS ON SITE



12 ALT G
SCALE 1/4"=1'-0"



11 ALT F
SCALE 1/4"=1'-0" OCCURS AT: (1) TOTAL UNITS ON SITE



A4 ONE BEDROOM/ONE BATH
SCALE 1/4"=1'-0" OCCURS AT: (1) TOTAL UNITS ON SITE

NOTES:
CEILING HEIGHTS ARE 9'-0" ON THE 2ND, 3RD, AND 4TH FLOORS. REFERENCE SHEET 3.1 FOR VARYING CEILING HEIGHTS AT FIRST FLOOR.

NOTES:
CROSSHATCHING ON PLAN INDICATES AREAS TO BE BLOCKED FOR GRAB BARS.
1" FURROWDOWN
30" X 48" CLEAR FLOOR SPACE
COORDINATE ALL FURROWDOWN LOCATIONS WITH MECHANICAL SHOP DRAWINGS



REVISIONS
OWNER COORDINATION 09-01-2011
ANSI/FHA COMMENTS 09-13-2011
COORDINATION 10-17-2011

KELLER SPRINGS LOFTS
LOFT APARTMENTS IN ADDISON, TEXAS

CONSTRUCTION ISSUE
10-17-2011

BGO architects
4144 N. Central Expy. Suite 855
Dallas, TX 75204
214.520.8878
bgoarchitects.com

DATE 08-05-2011
PROJECT 11129
SHEET NUMBER

2.5
A4 UNIT

COPYRIGHT © Beeler Guest Owens Architects ALL RIGHTS RESERVED