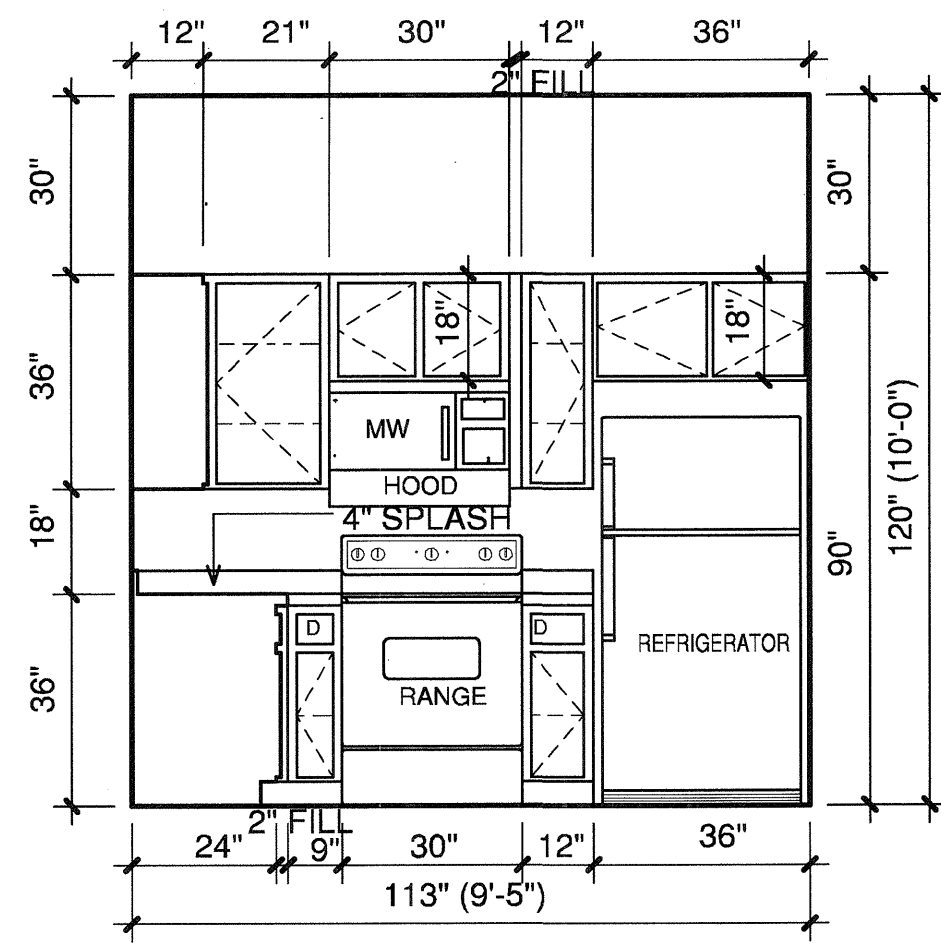
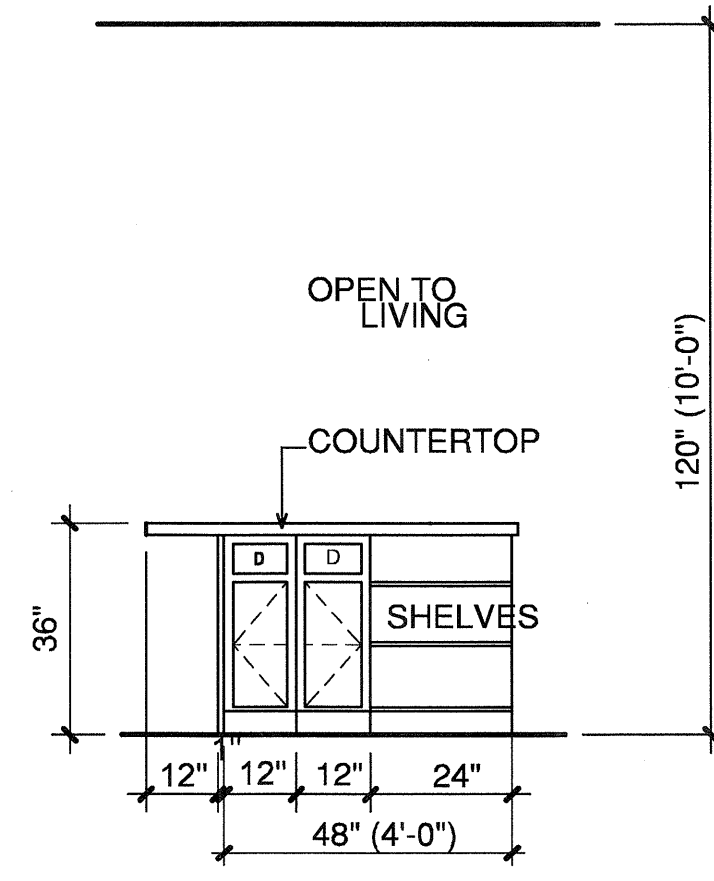


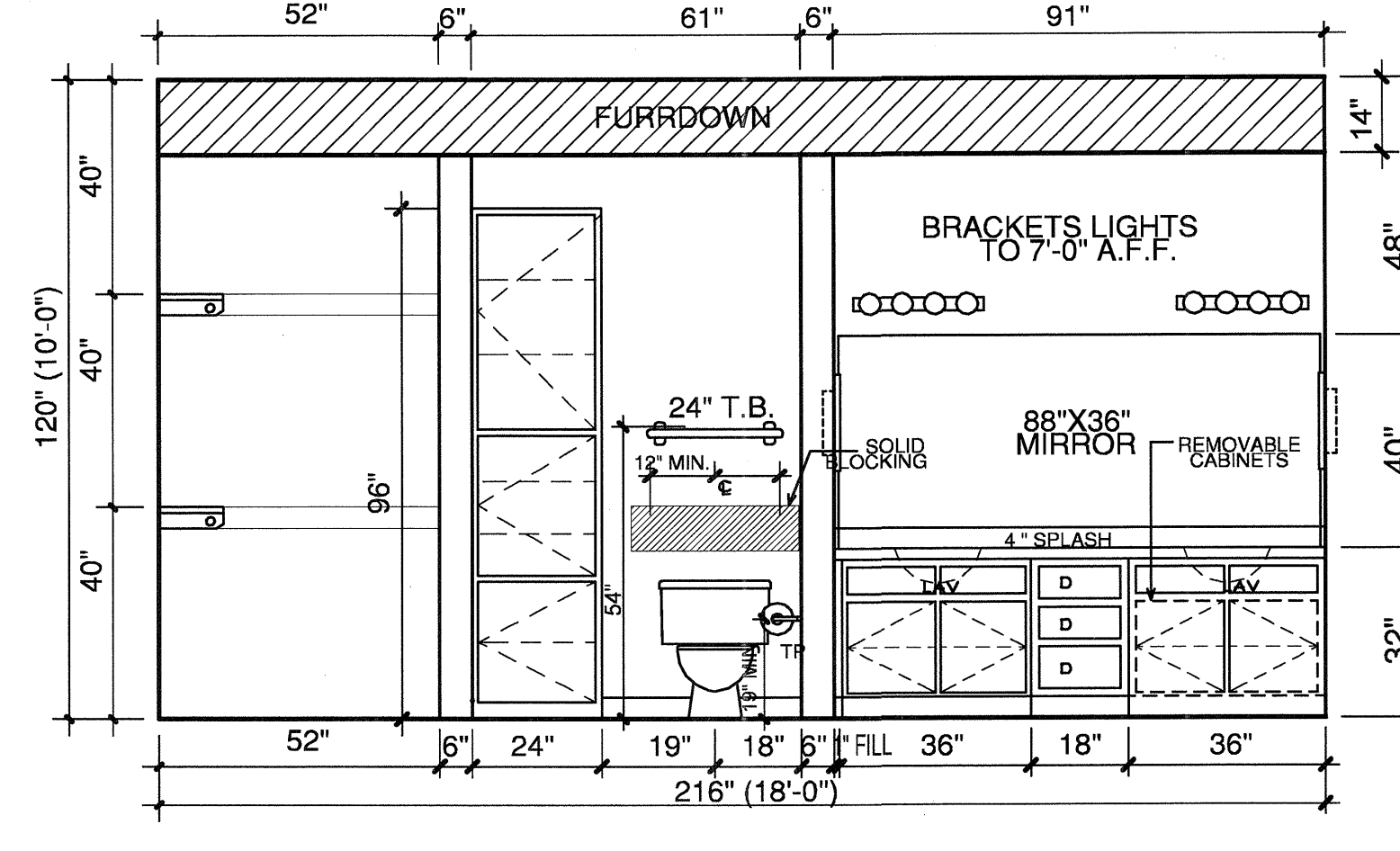
1 KITCHEN
3/8"=1'-0"



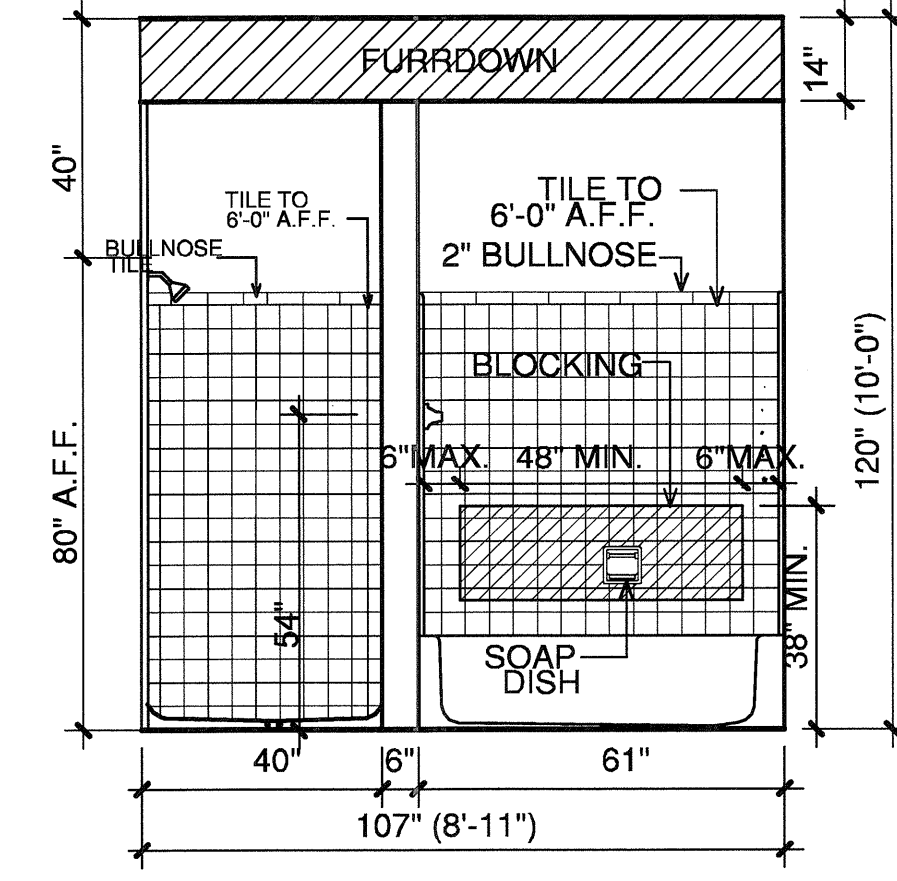
2 KITCHEN
3/8"=1'-0"



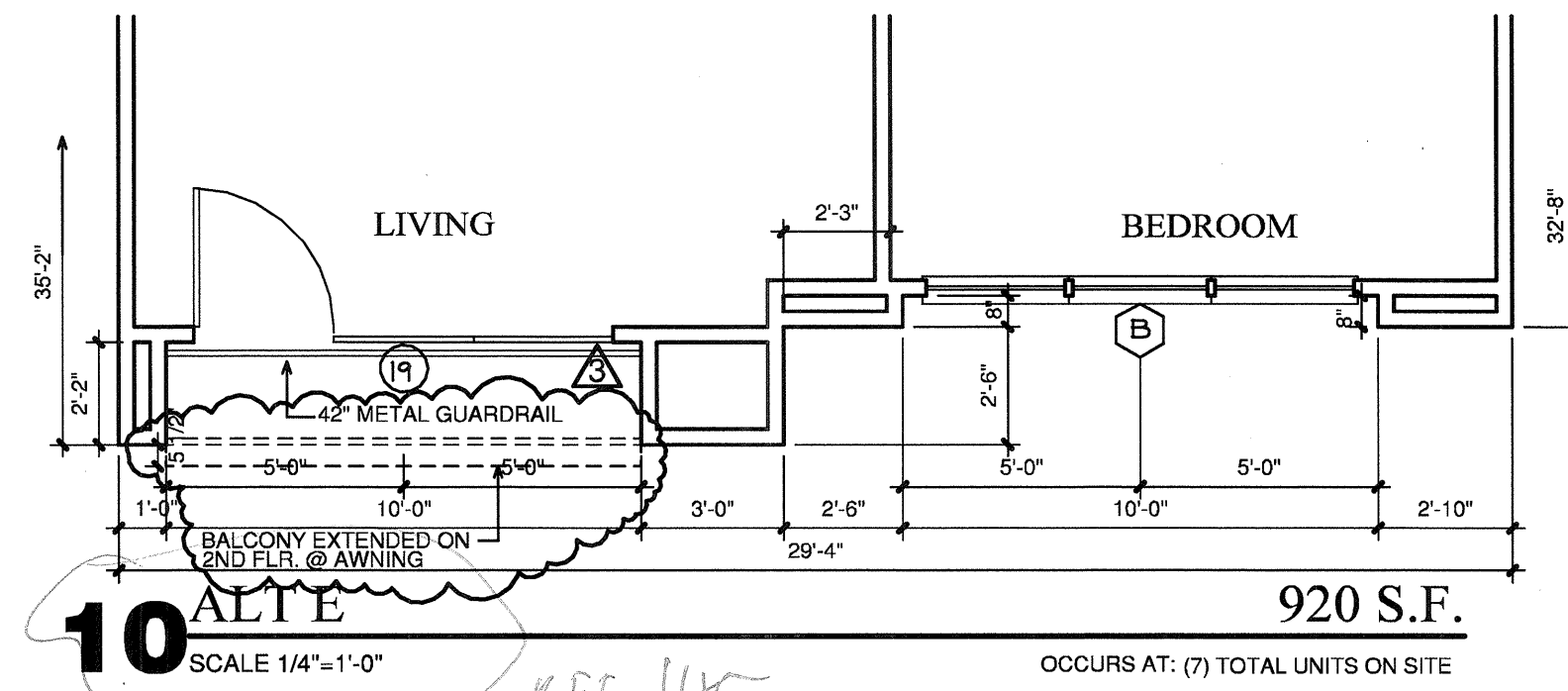
3 KITCHEN
3/8"=1'-0"



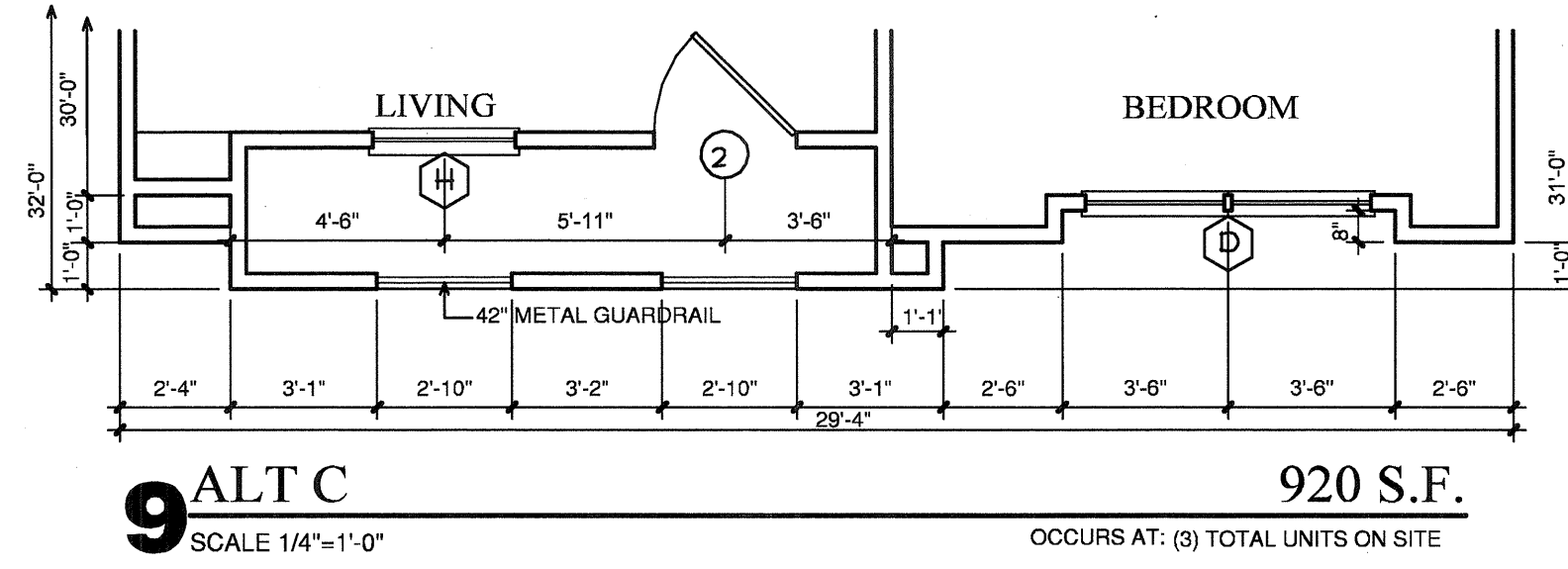
4 BATH
3/8"=1'-0"



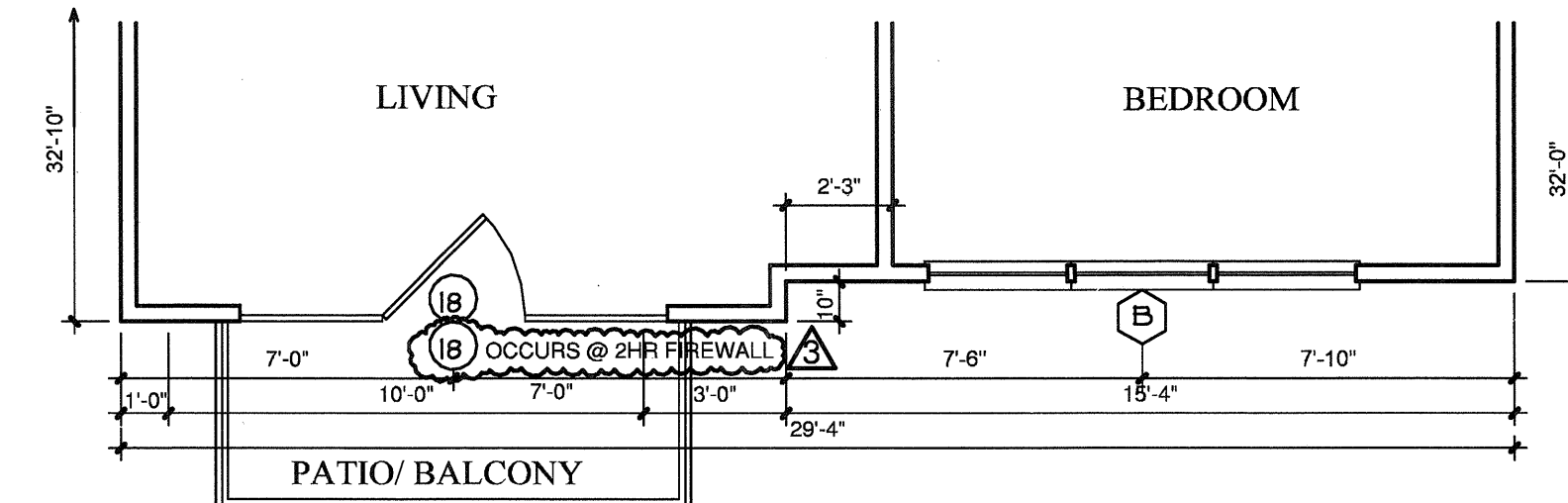
5 BATH
3/8"=1'-0"



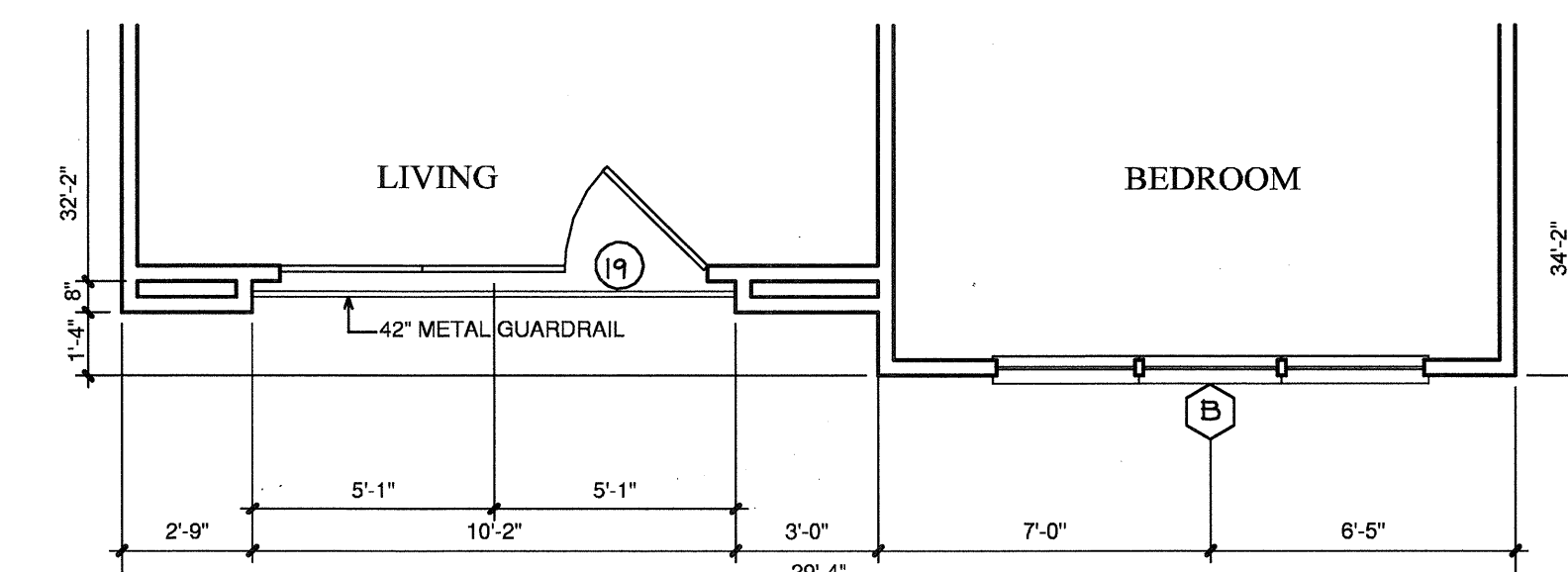
10 ALT E
SCALE 1/4"=1'-0"
920 S.F.
OCCURS AT: (7) TOTAL UNITS ON SITE



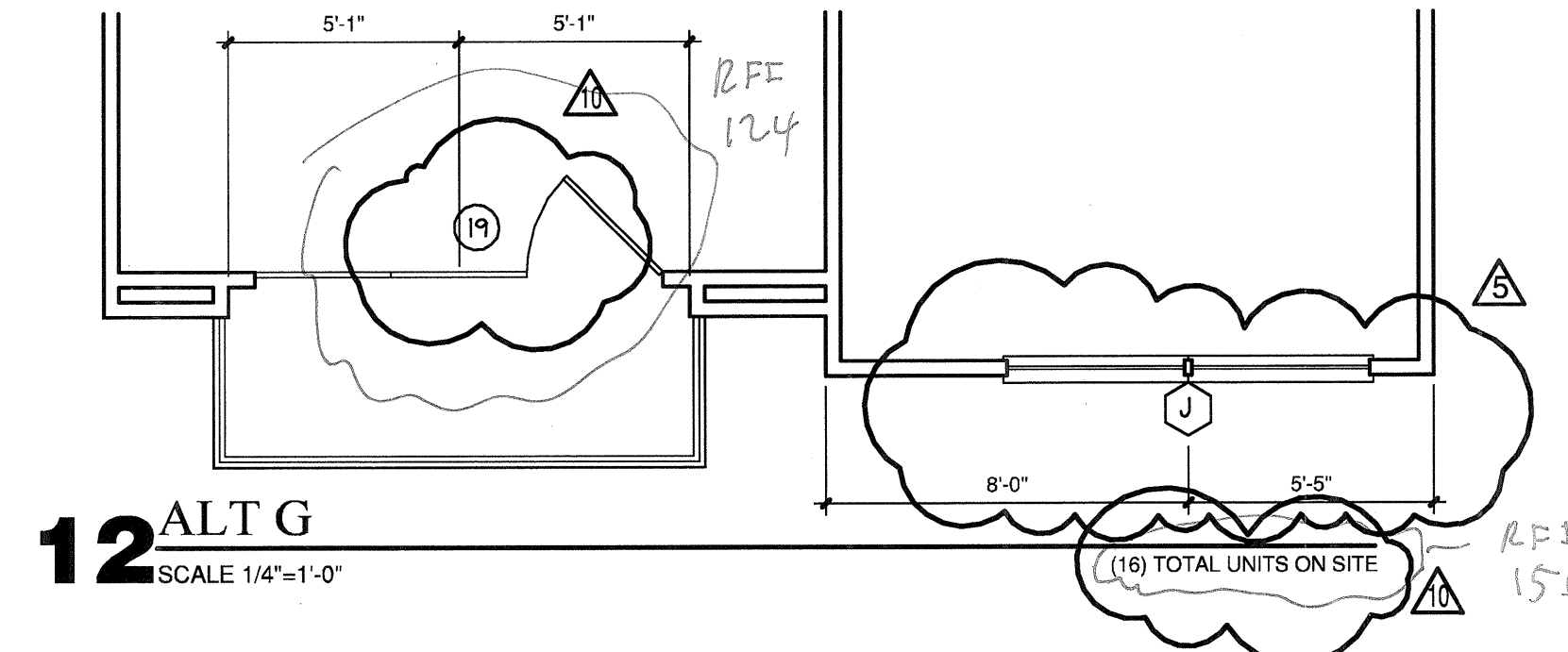
9 ALT C
SCALE 1/4"=1'-0"
920 S.F.
OCCURS AT: (8) TOTAL UNITS ON SITE



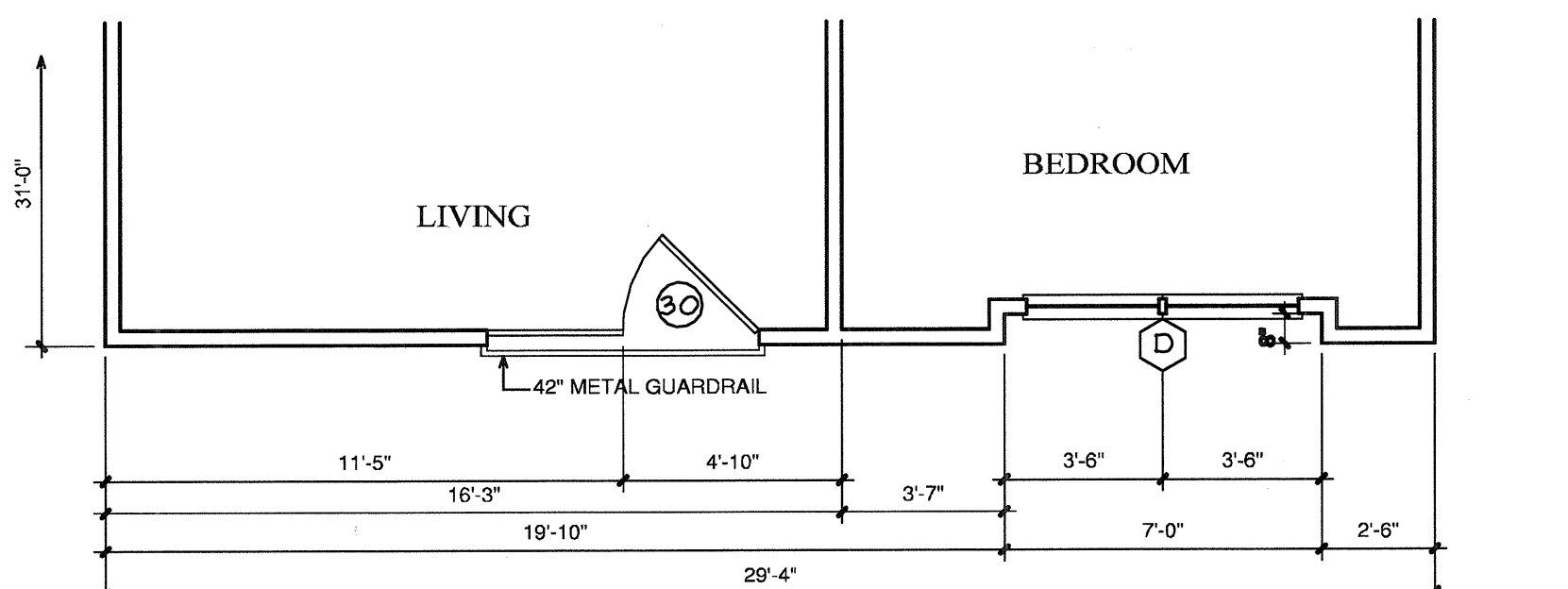
8 ALT B
SCALE 1/4"=1'-0"
951 S.F.
OCCURS AT: (12) TOTAL UNITS ON SITE



7 ALT A
SCALE 1/4"=1'-0"
920 S.F.
OCCURS AT: (19) TOTAL UNITS ON SITE



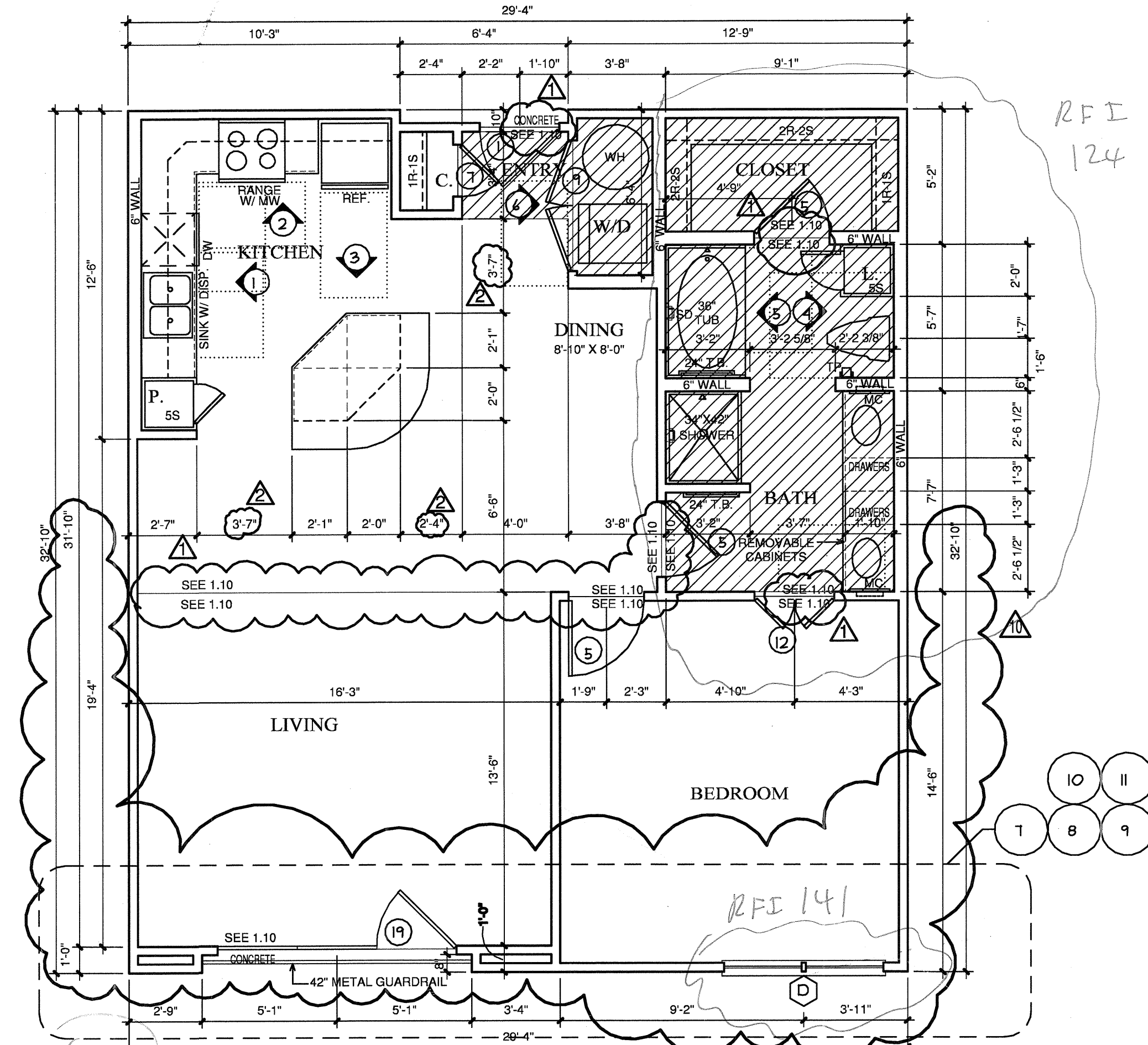
12 ALT G
SCALE 1/4"=1'-0"
OCCURS AT: (16) TOTAL UNITS ON SITE



11 ALT F
SCALE 1/4"=1'-0"
902 S.F.
OCCURS AT: (1) TOTAL UNITS ON SITE

NOTES:
CEILING HEIGHTS ARE 9'-0"
ON THE 2ND, 3RD, AND 4TH FLOORS.
REFERENCE SHEET 3.1 FOR VARYING
CEILING HEIGHTS AT FIRST FLOOR.

NOTES:
CROSSHATCHING ON PLAN INDICATES
AREAS TO BE
SUFFICIENTLY BLOCKED
FOR GRAB BARS.
1" FURRDOWN
3'0" X 4'8"
CLEAR
FLOOR
SPACE
COORDINATE ALL
FURRDOWN LOCATIONS
WITH MECHANICAL
SHOP DRAWINGS



A4 ONE BEDROOM/ONE BATH
SCALE 1/4"=1'-0"
887 S.F.
OCCURS AT: (1) TOTAL UNITS ON SITE



REVISIONS

OWNER COORDINATION	09-01-2011
ANSI/FHA COMMENTS	09-13-2011
COORDINATION	10-17-2011
COORDINATION	02-29-2012
RFI- 141 & 156	06-29-2012

KELLER SPRINGS LOFTS
LOFT APARTMENTS IN ADDISON, TEXAS

CONSTRUCTION ISSUE
10-17-2011



4144 N. Central Expy.
Suite 855
Dallas, TX 75204
214.520.8878
bgoarchitects.com

DATE
08-05-2011

PROJECT
11129

SHEET NUMBER

2.5

A4 UNIT

COPYRIGHT © Beeler Guest Owners Architects All Rights Reserved