



10-17-2011

REVISIONS
COORDINATION
10-17-2011

KELLER SPRINGS LOFTS

LOFT APARTMENTS IN ADDISON, TEXAS

CONSTRUCTION ISSUE
10-17-2011



4144 N. Central Expy.
Suite 855
Dallas, TX 75204
214.520.8878
bgoarchitects.com

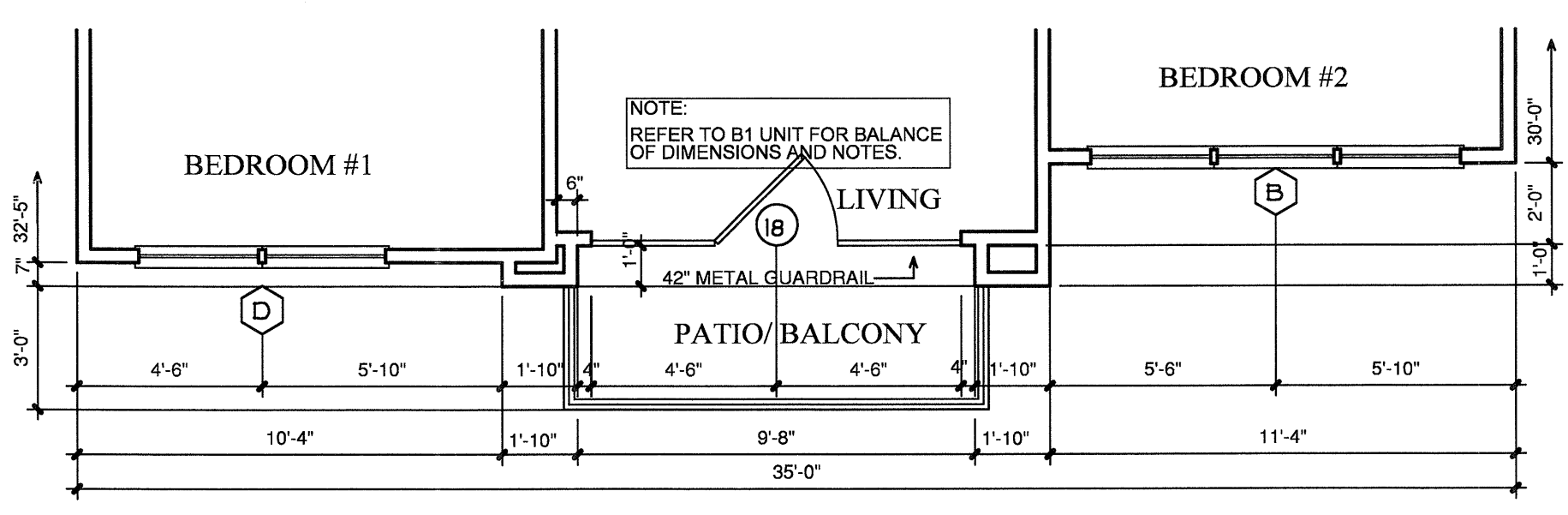
DATE
08-05-2011

PROJECT
11129

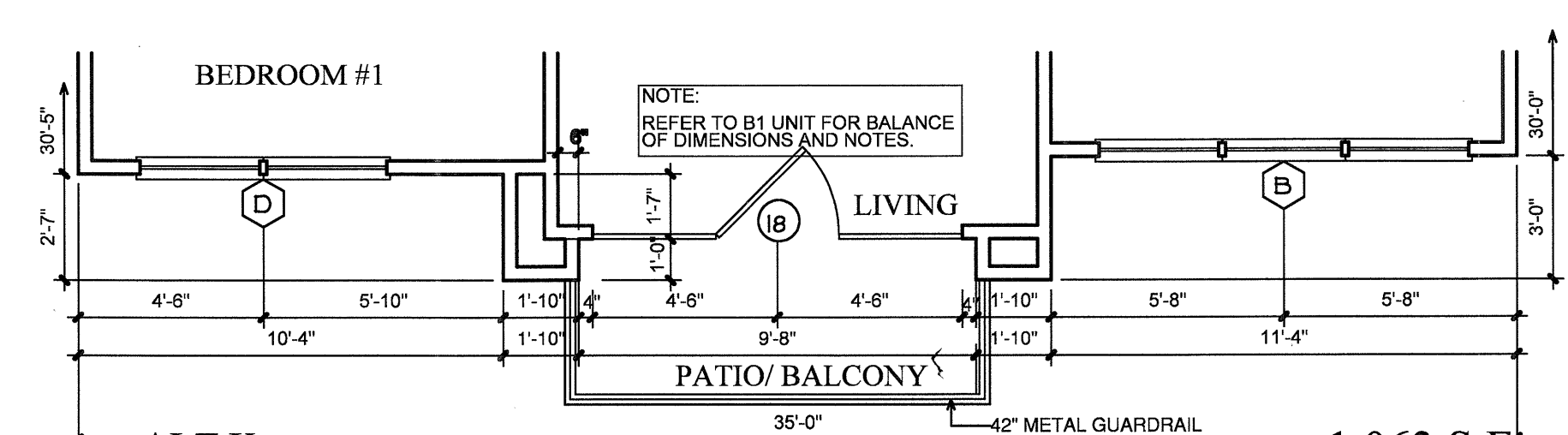
SHEET NUMBER

2.6A

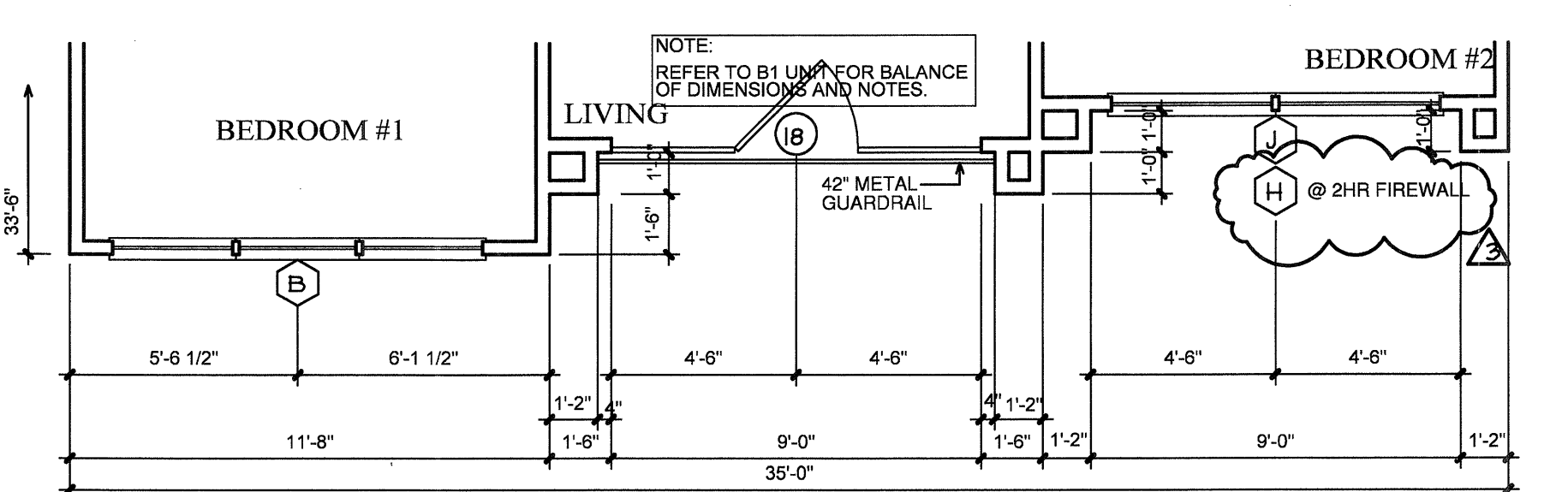
B1 ALT UNIT



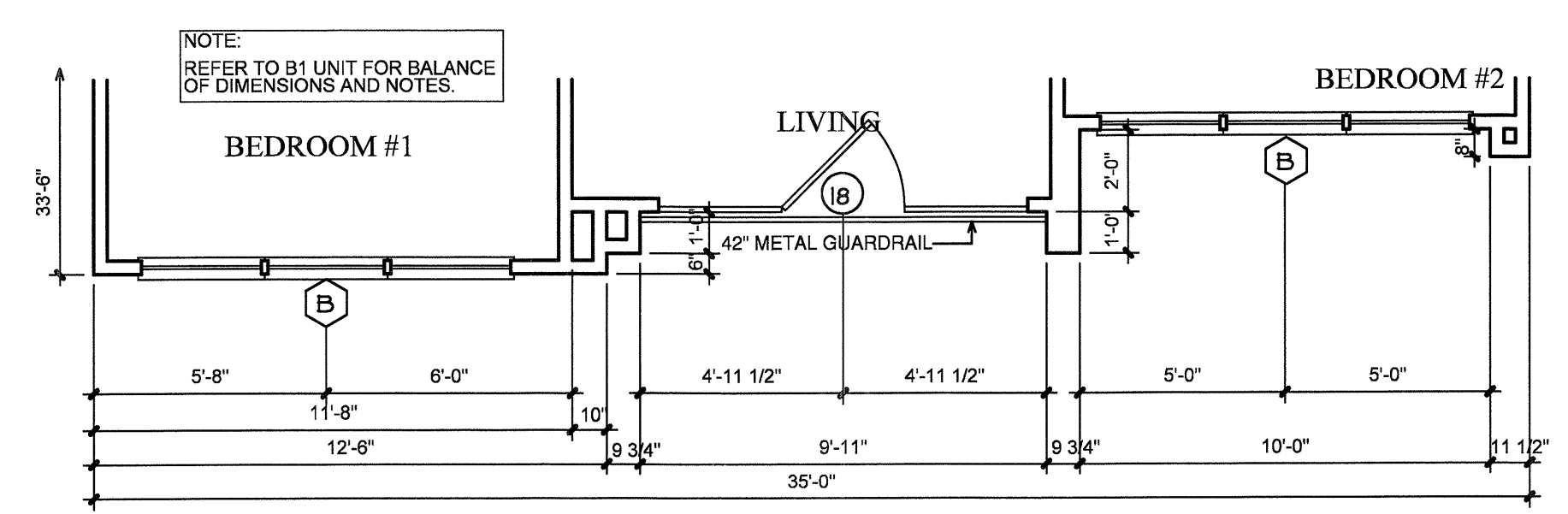
B1 ALT L
SCALE 1/4"=1'-0"
1,086 S.F.
OCCURS AT: (3) TOTAL UNITS ON SITE



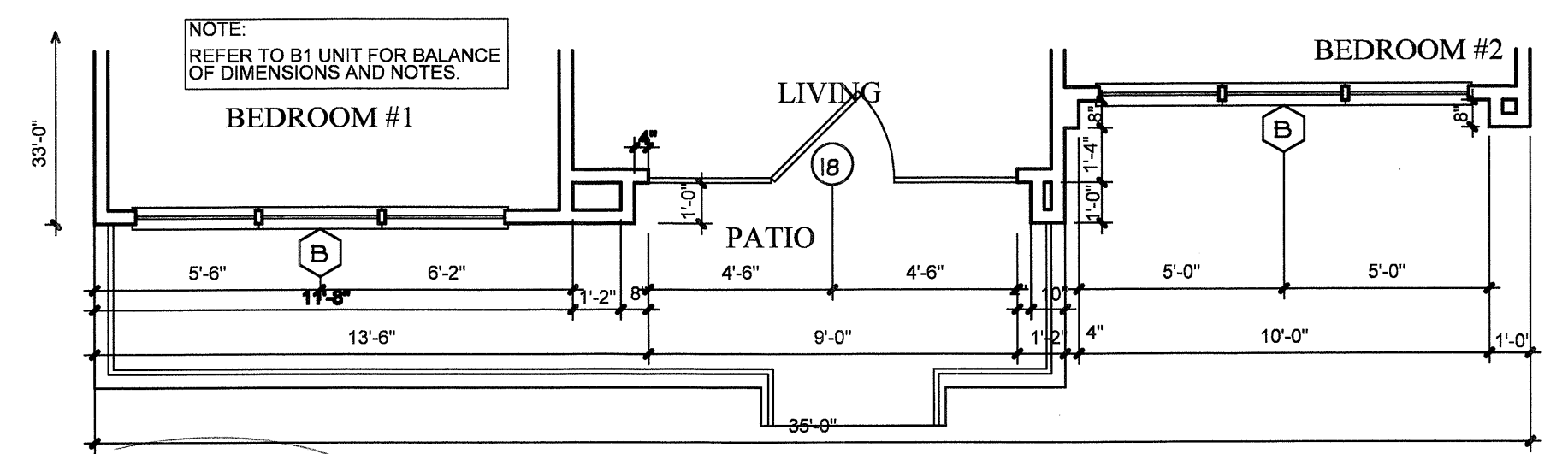
B1 ALT K
SCALE 1/4"=1'-0"
1,063 S.F.
OCCURS AT: (9) TOTAL UNITS ON SITE



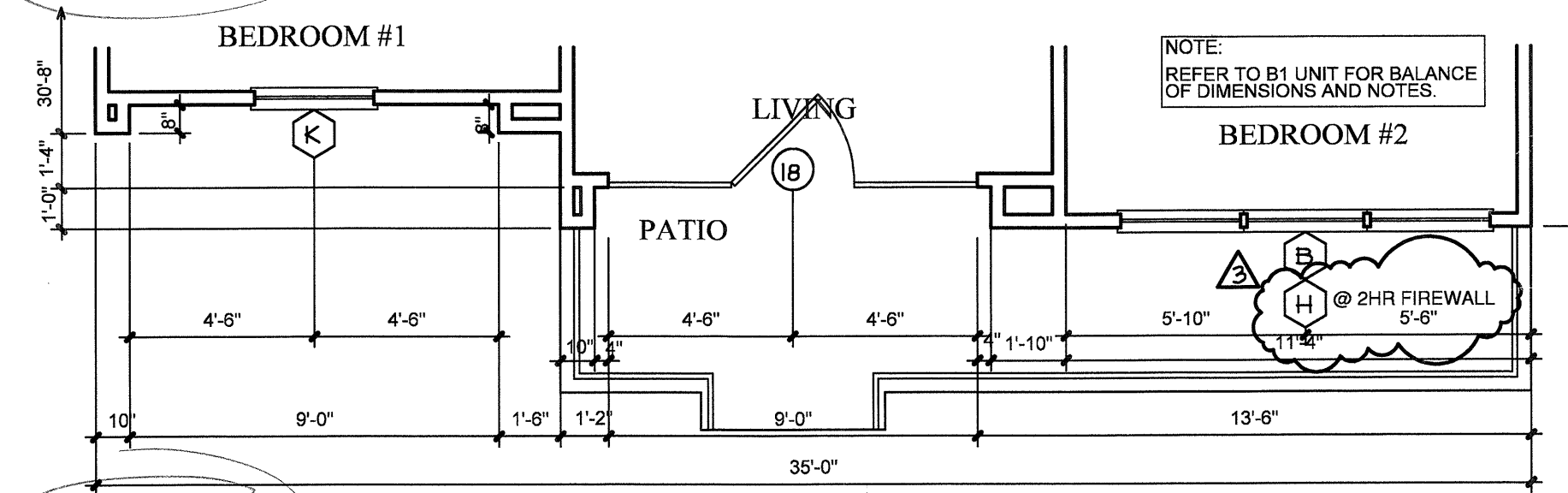
B1 ALT J
SCALE 1/4"=1'-0"
1,095 S.F.
OCCURS AT: (15) TOTAL UNITS ON SITE



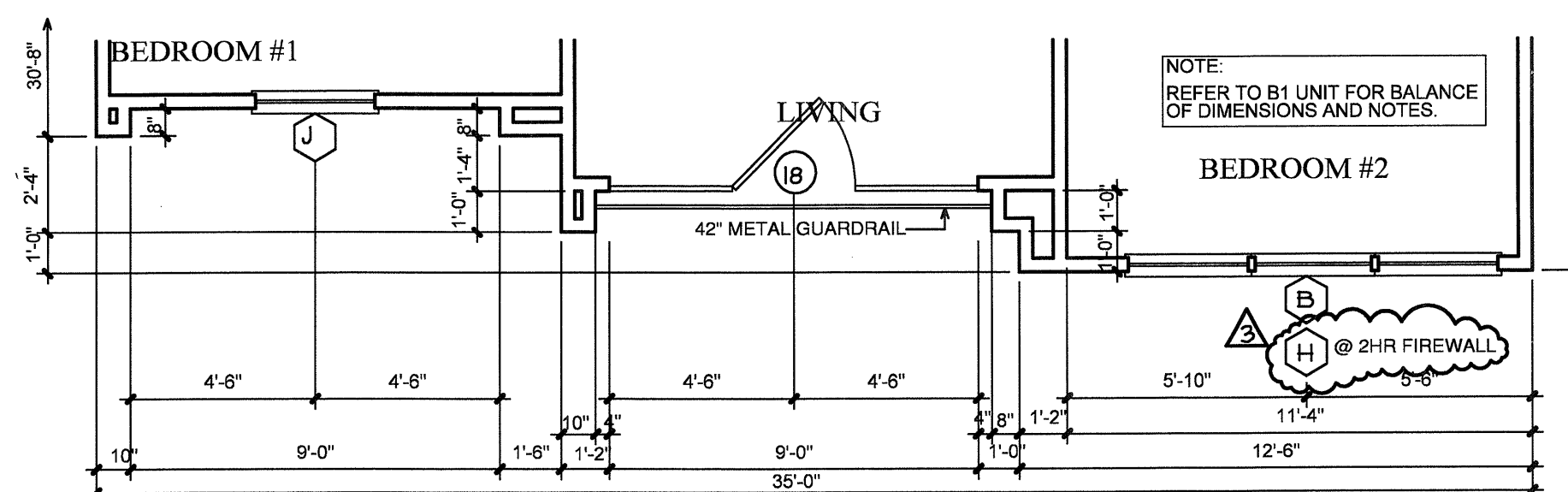
B1 ALT H
SCALE 1/4"=1'-0"
1,098 S.F.
OCCURS AT: (3) TOTAL UNITS ON SITE



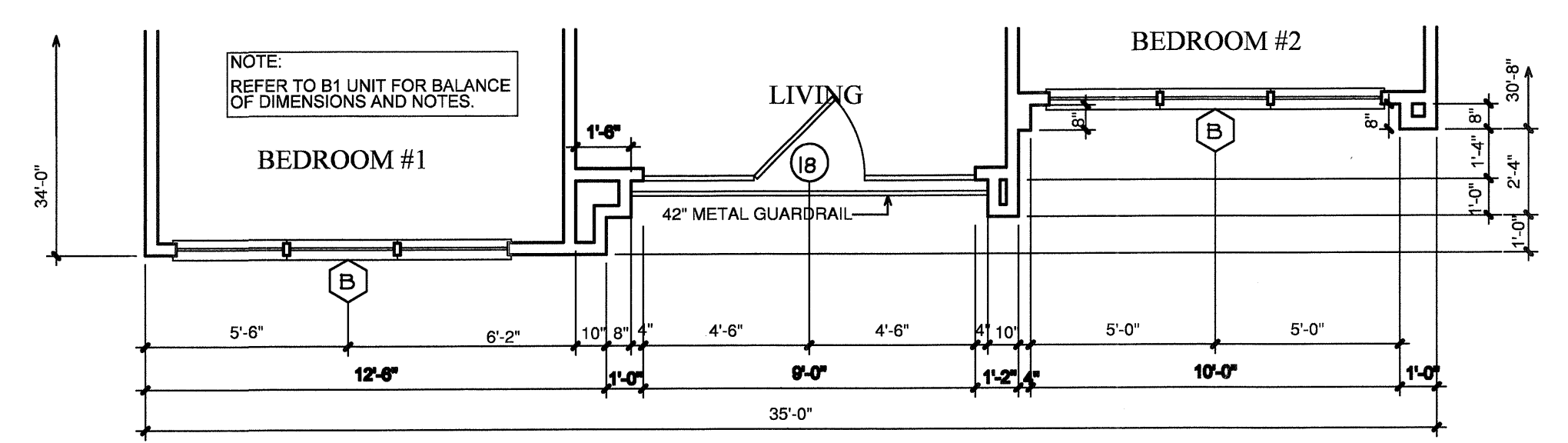
B1 ALT G
SCALE 1/4"=1'-0"
1,098 S.F.
OCCURS AT: (2) TOTAL UNITS ON SITE



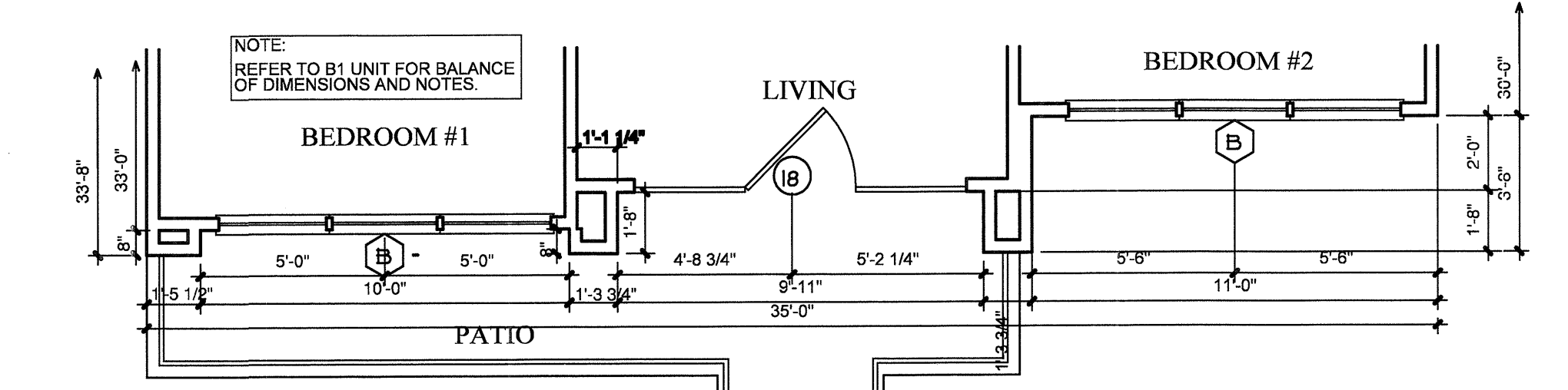
B1 ALT F
SCALE 1/4"=1'-0"
1,098 S.F.
OCCURS AT: (2) TOTAL UNITS ON SITE



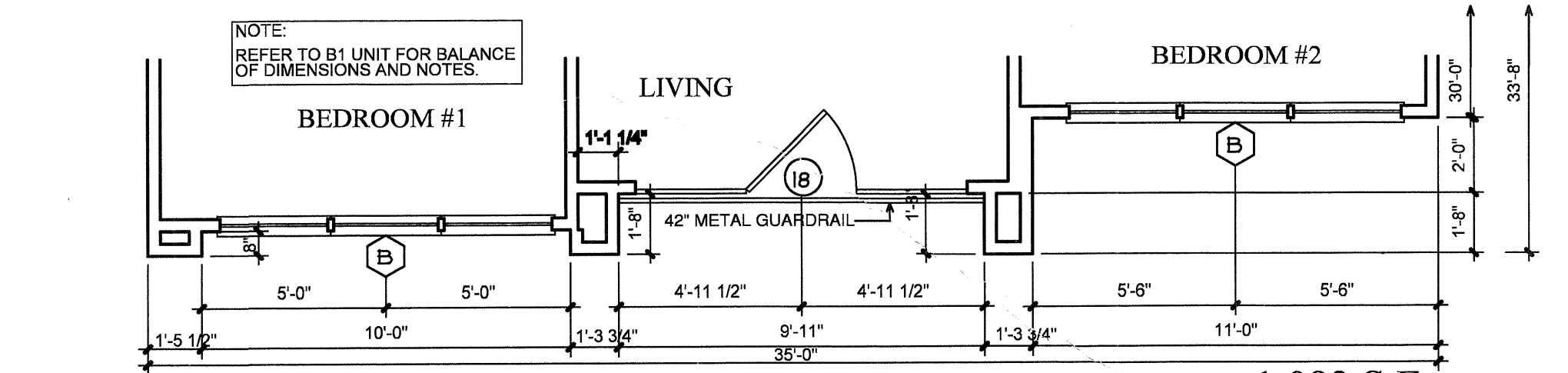
B1 ALTE
SCALE 1/4"=1'-0"
1,095 S.F.
OCCURS AT: (6) TOTAL UNITS ON SITE



B1 ALT D
SCALE 1/4"=1'-0"
1,098 S.F.
OCCURS AT: (6) TOTAL UNITS ON SITE



B1 ALT B
SCALE 1/4"=1'-0"
1,093 S.F.
OCCURS AT: (1) TOTAL UNITS ON SITE



B1 ALT A
SCALE 1/4"=1'-0"
1,093 S.F.
OCCURS AT: (3) TOTAL UNITS ON SITE

COPYRIGHT © Beeler, Guest, Owens Architects All Rights Reserved