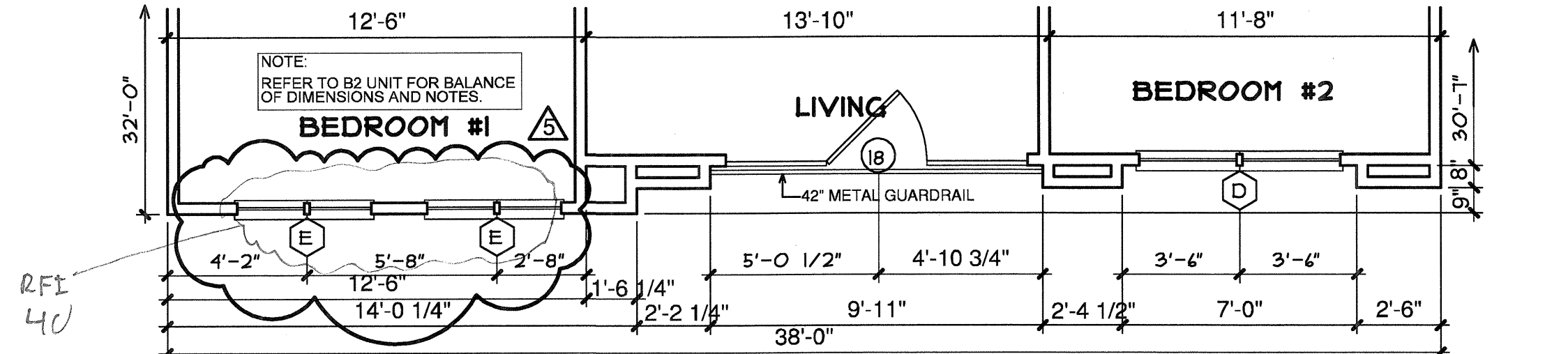
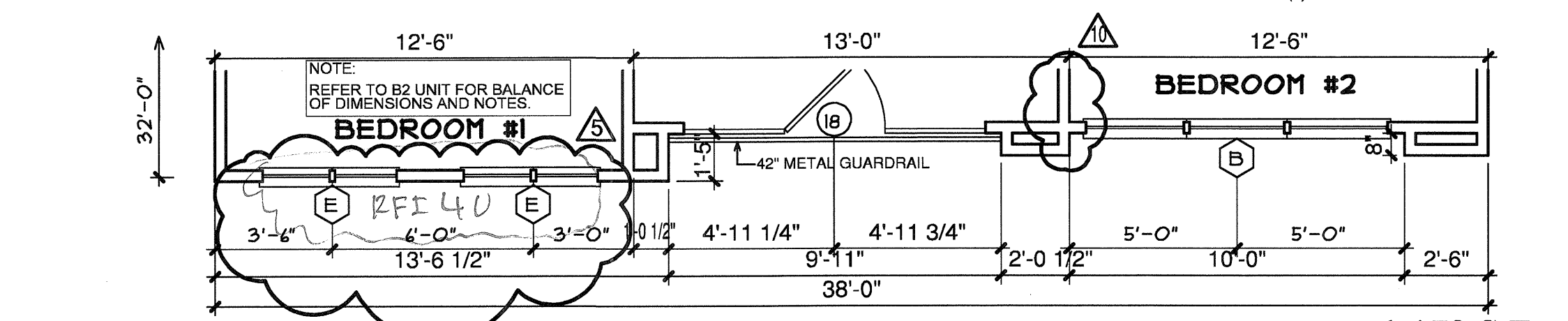


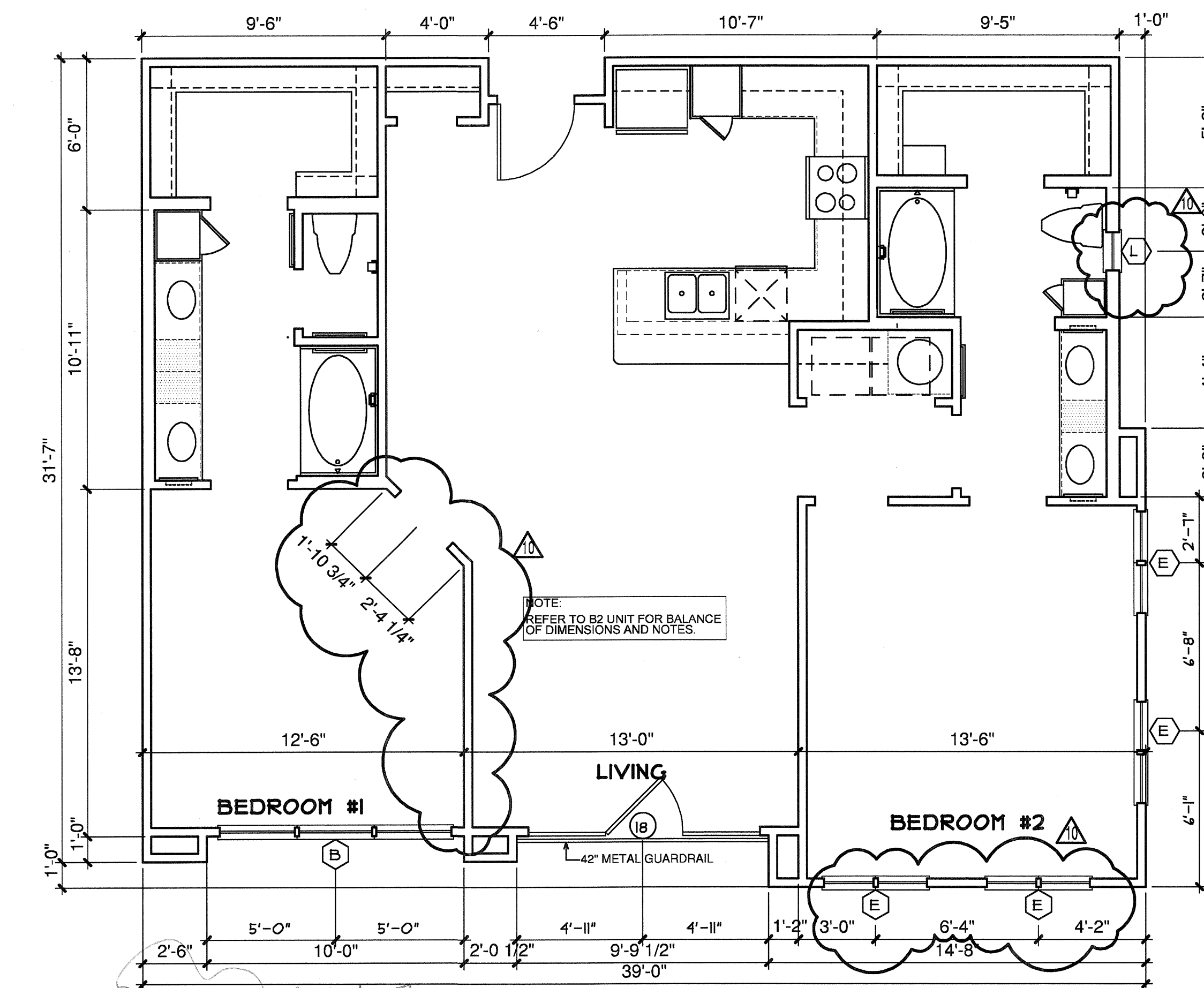
**7 ALT 5**  
SCALE 1/4"=1'-0"  
OCCURS AT: (3) TOTAL UNITS ON SITE  
1,204 S.F.



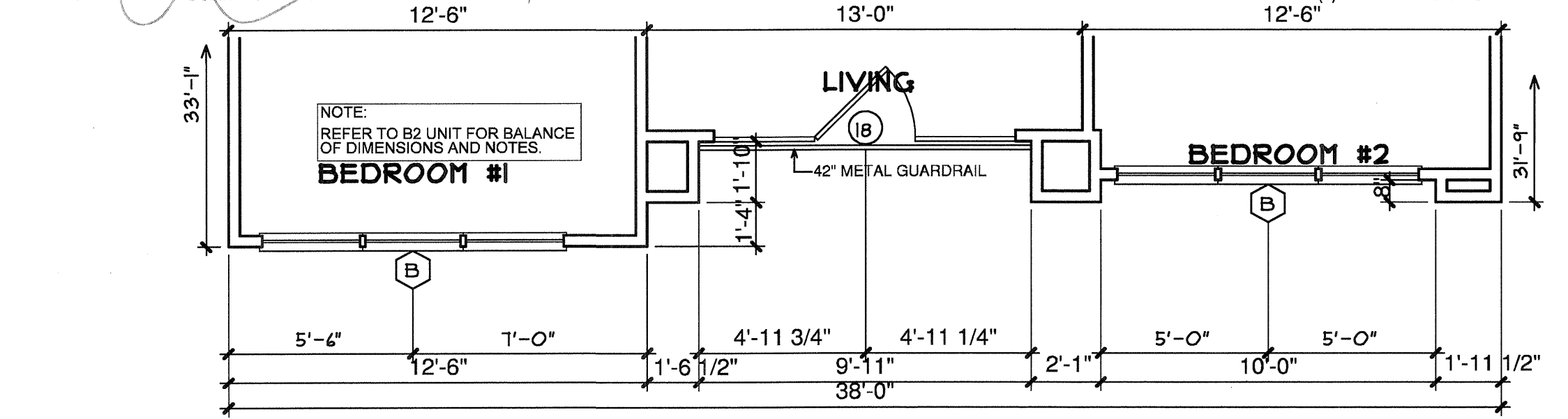
**6 ALT 4**  
SCALE 1/4"=1'-0"  
OCCURS AT: (3) TOTAL UNITS ON SITE  
1,173 S.F.



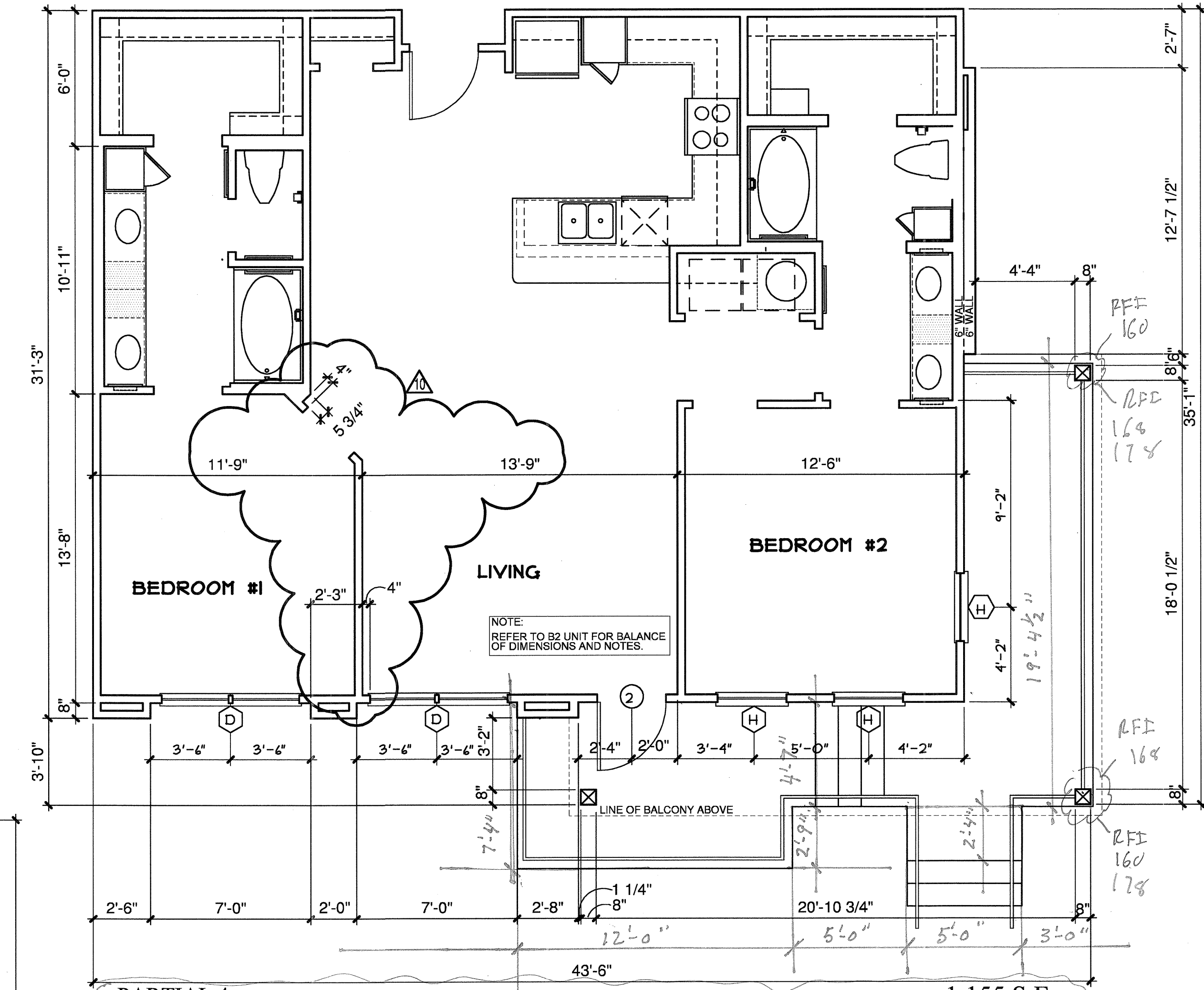
**5 ALT 3**  
SCALE 1/4"=1'-0"  
OCCURS AT: (3) TOTAL UNITS ON SITE  
1,173 S.F.



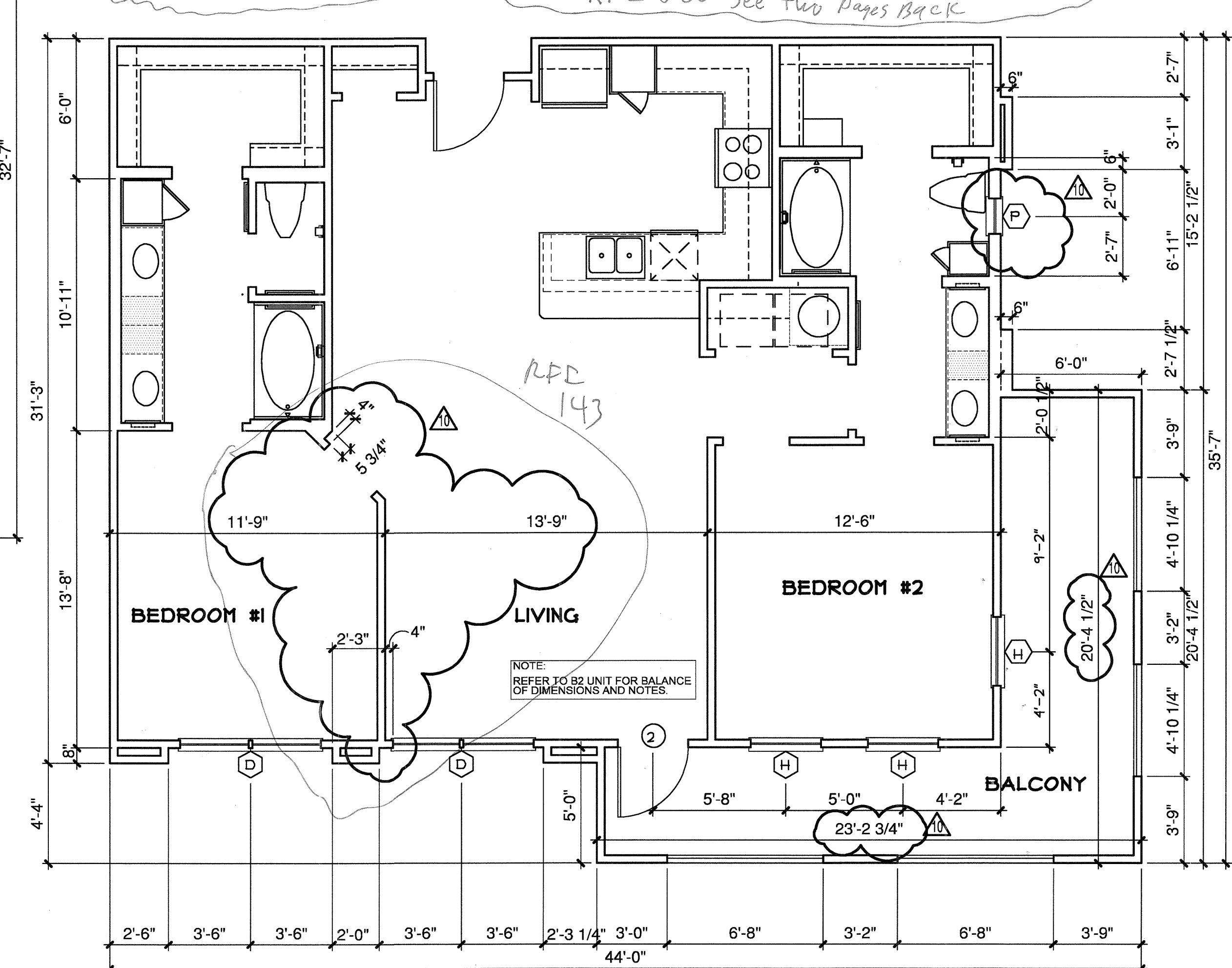
**4 ALT 2**  
SCALE 1/4"=1'-0"  
OCCURS AT: (3) TOTAL UNITS ON SITE  
1,182 S.F.



**3 ALT 1**  
SCALE 1/4"=1'-0"  
OCCURS AT: (6) TOTAL UNITS ON SITE  
1,200 S.F.



**2 PARTIAL 4**  
SCALE 1/4"=1'-0"  
OCCURS AT: (1) TOTAL UNITS ON SITE  
1,155 S.F.



**1 PARTIAL 1**  
SCALE 1/4"=1'-0"  
OCCURS AT: (3) TOTAL UNITS ON SITE  
1,155 S.F.



REVISIONS

|                |            |
|----------------|------------|
| COORDINATION   | 02-29-2012 |
| RFI- 143 & 147 | 07-09-2012 |

**KELLER SPRINGS LOFTS**  
LOFT APARTMENTS IN ADDISON, TEXAS

CONSTRUCTION ISSUE  
10-17-2011

**BGO architects**  
4144 N. Central Exp.  
Suite 855  
Dallas, TX 75204  
214.520.8878  
bgoarchitects.com

DATE  
08-05-2011

PROJECT  
11129

SHEET NUMBER  
**2.7A**  
B2 ALT UNIT

COPYRIGHT © Beeler Guest Architects All Rights Reserved