

REVISIONS  
ANSI/FHA COMMENTS  
09-13-2011

**KELLER SPRINGS LOFTS**  
LOFT APARTMENTS IN ADDISON, TEXAS

CONSTRUCTION ISSUE  
10-17-2011

**BGO**  
architects  
4144 N. Central Expy.  
Suite 855  
Dallas, TX 75204  
214.520.8878  
bgoarchitects.com

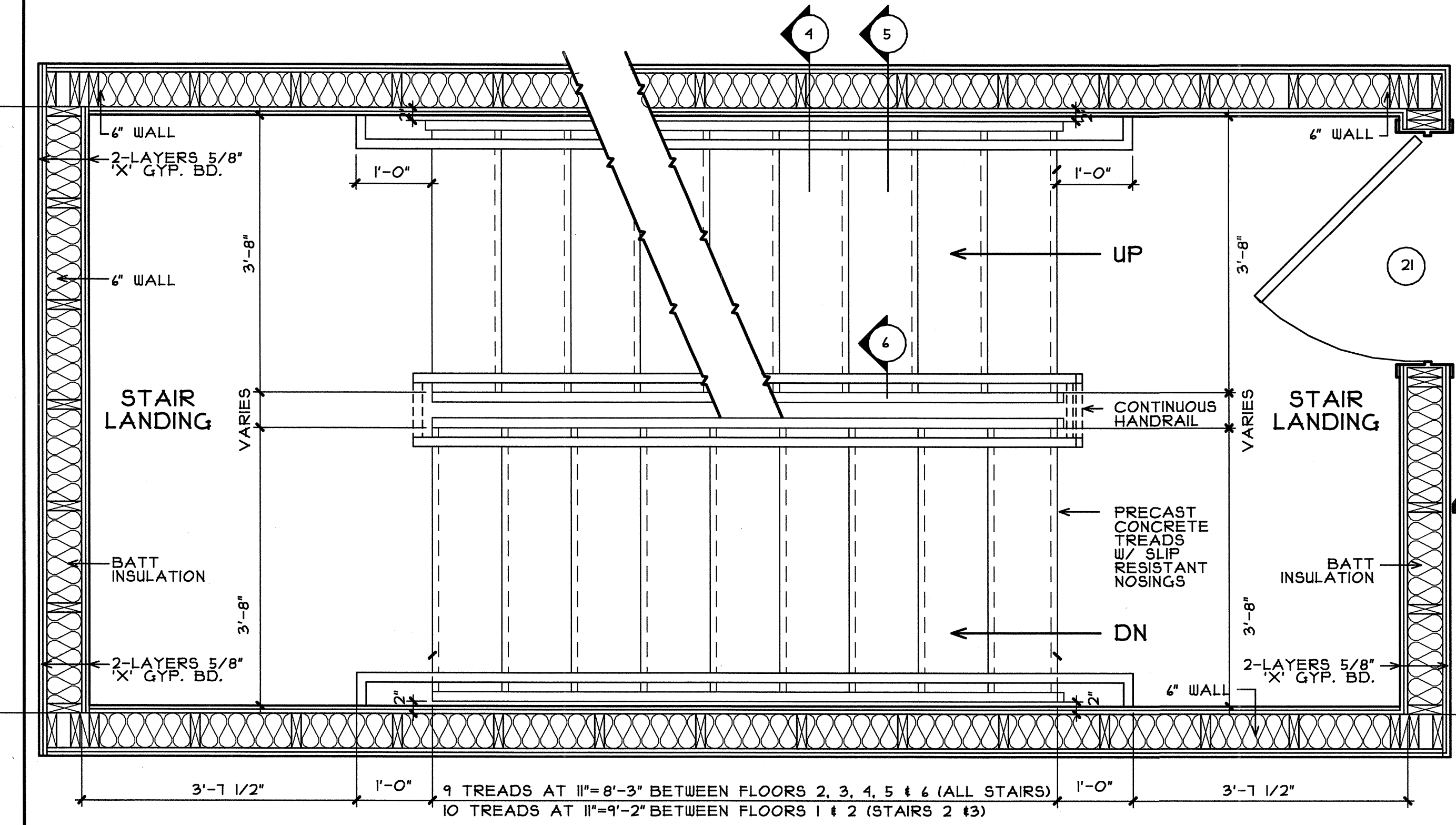
DATE  
08-05-2011

PROJECT  
11129

SHEET NUMBER

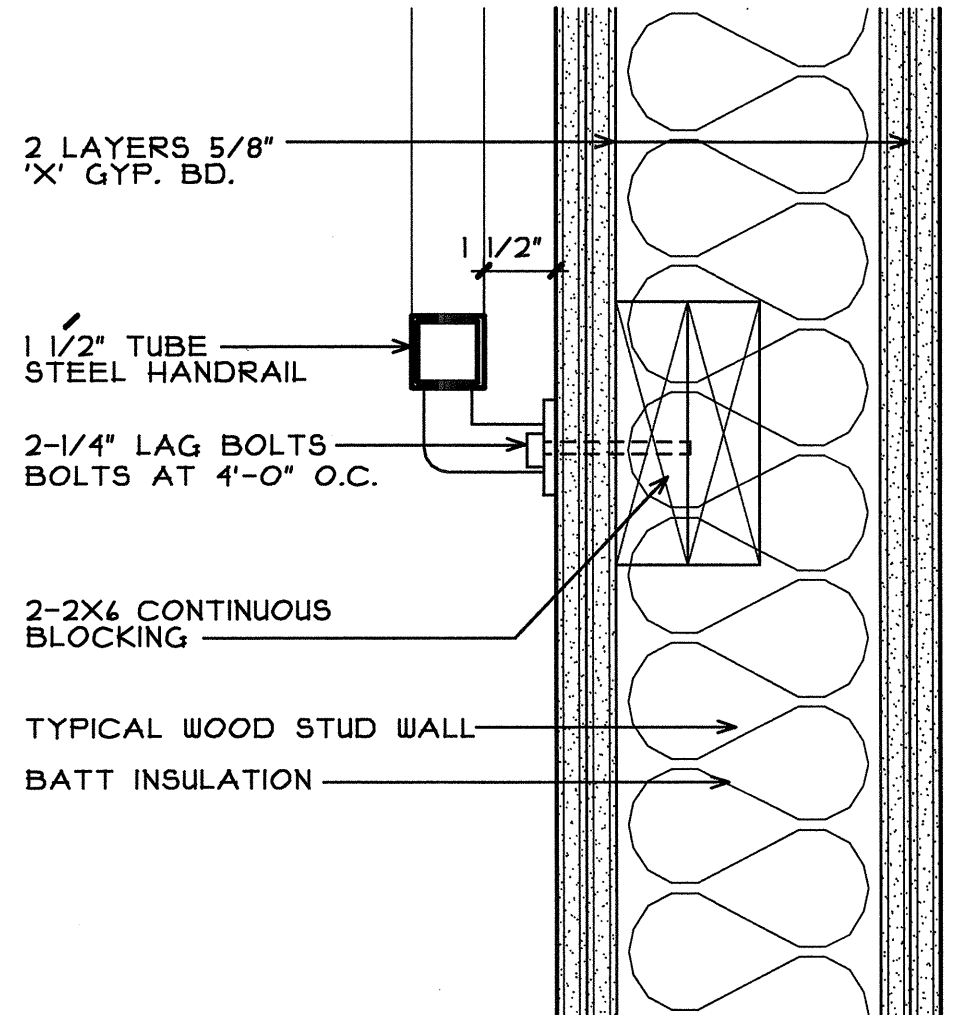
**5.1**  
STAIR PLAN

COPYRIGHT © Deelar Owens Architects ALL RIGHTS RESERVED

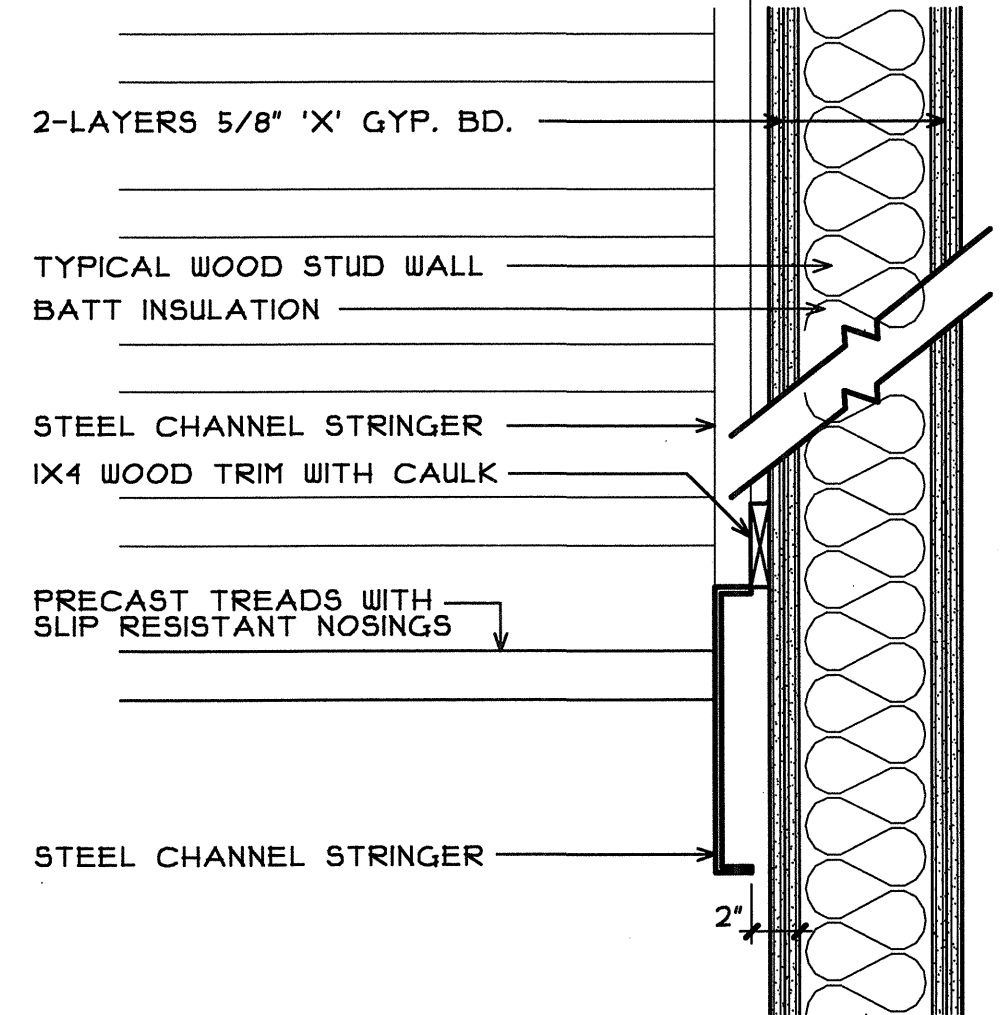


**1 SWITCH BACK STAIR PLAN**  
SCALE: 3/4"=1'-0"

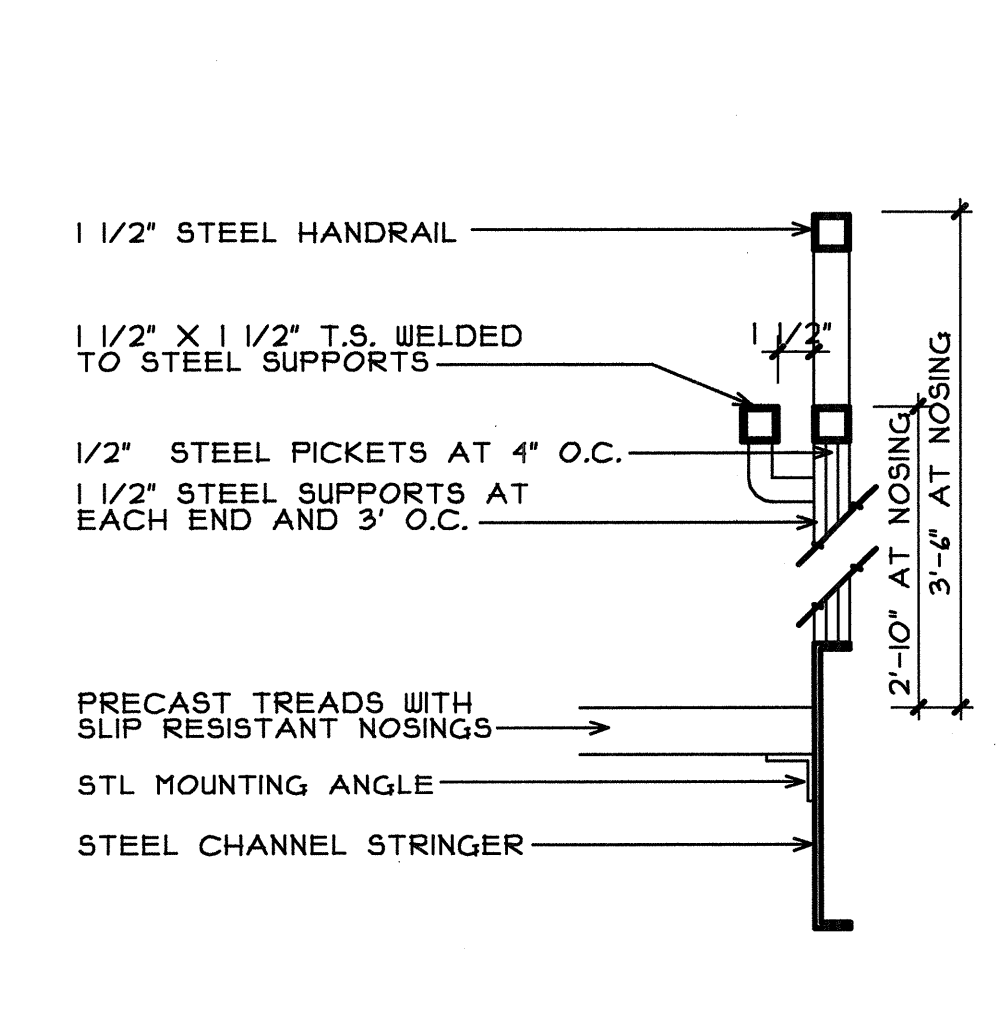
REFER TO BUILDING PLANS FOR LOCATIONS



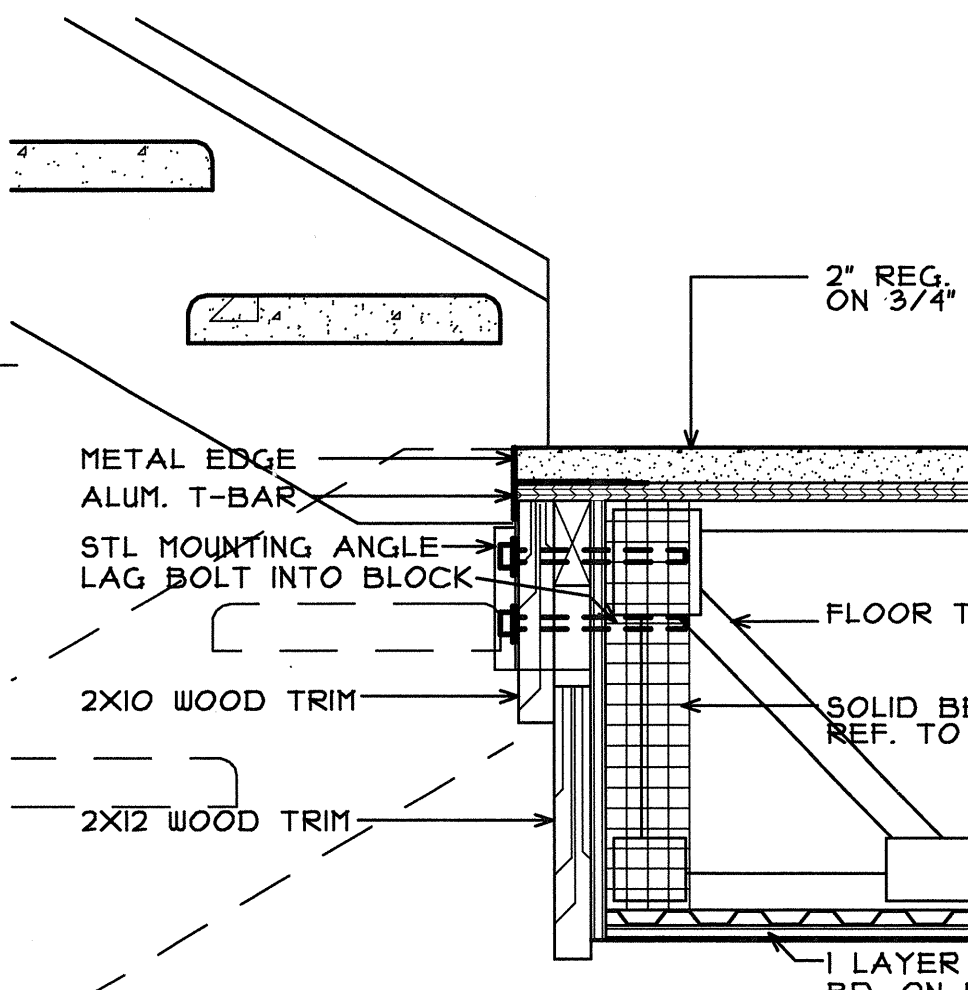
**4 HANDRAIL DETAIL**  
3"=1'-0"



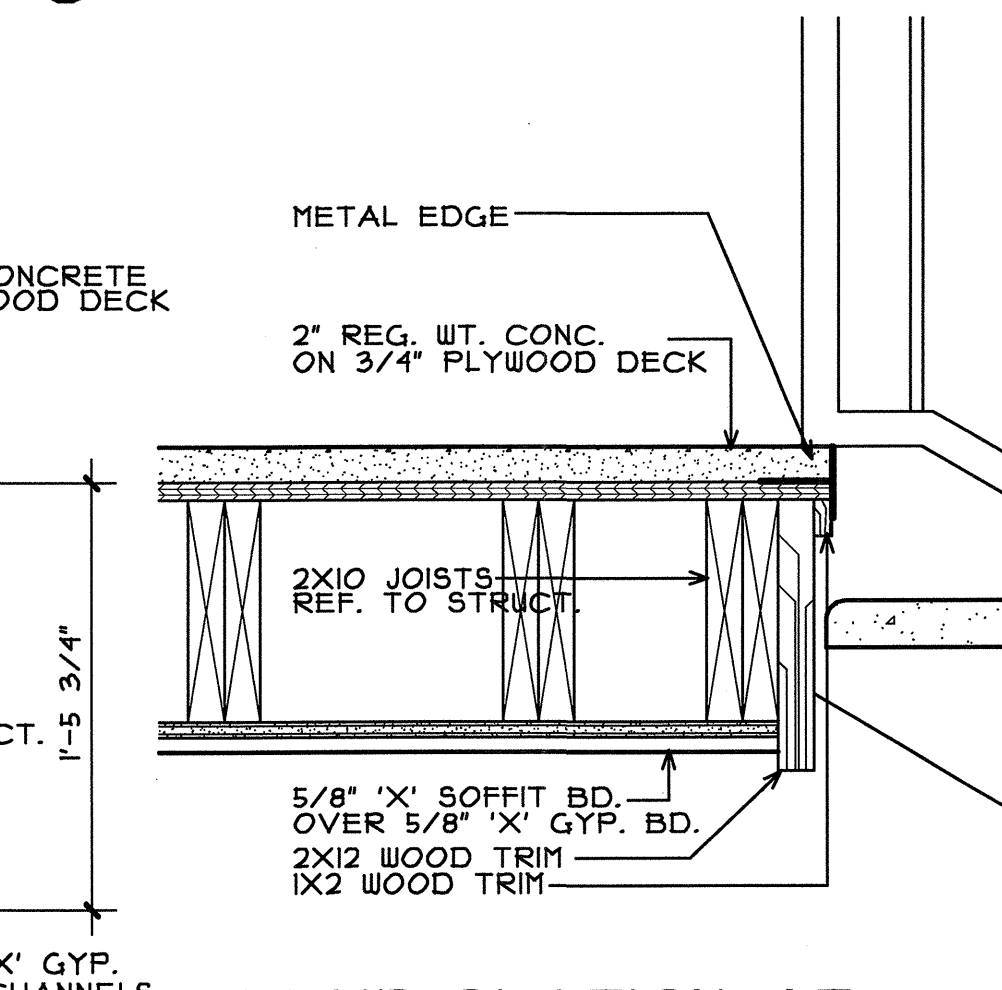
**5 STAIR SECTION AT WALL SIDE**  
1 1/2"=1'-0"



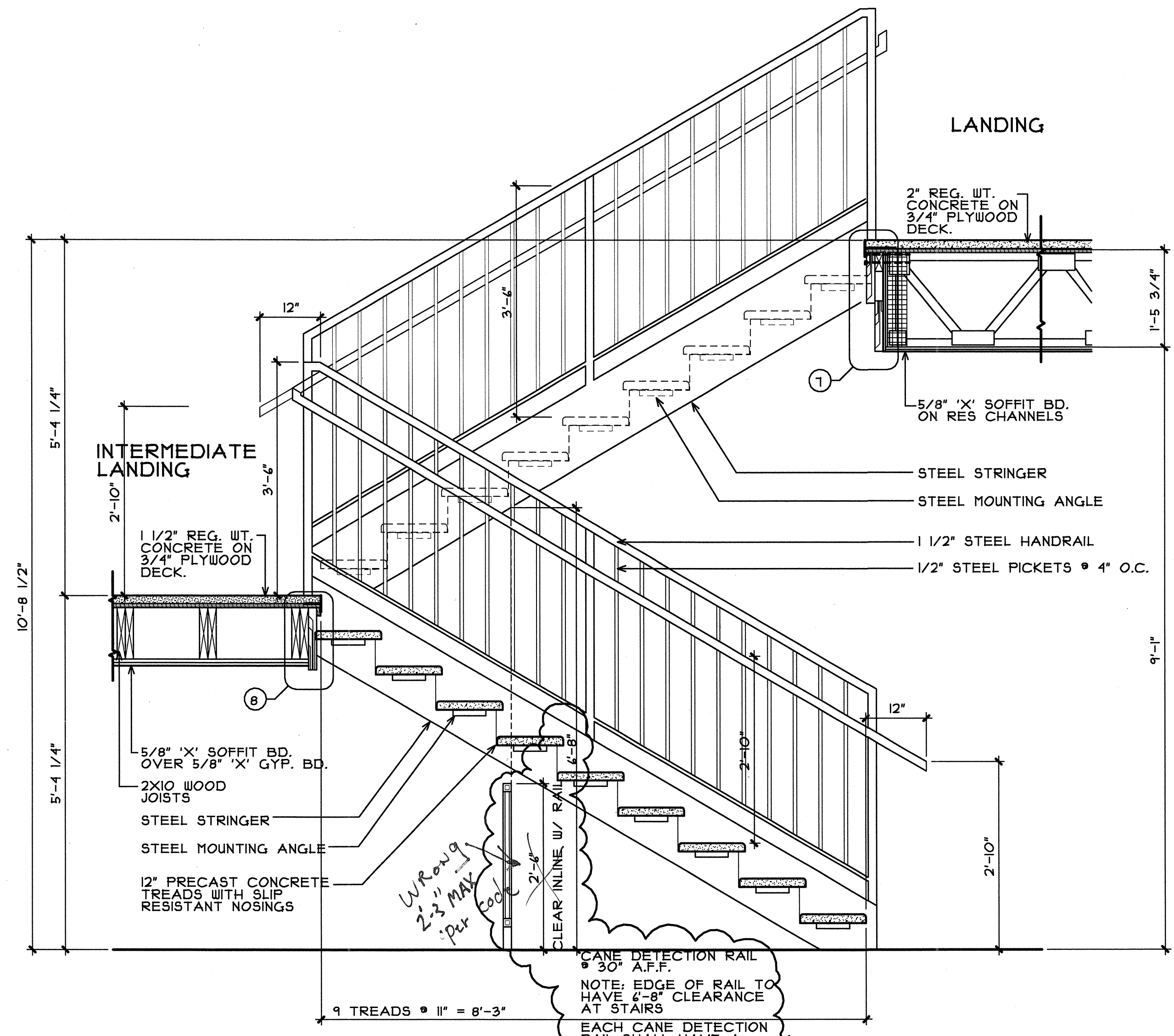
**6 STAIR SECTION AT CENTER**  
1 1/2"=1'-0"



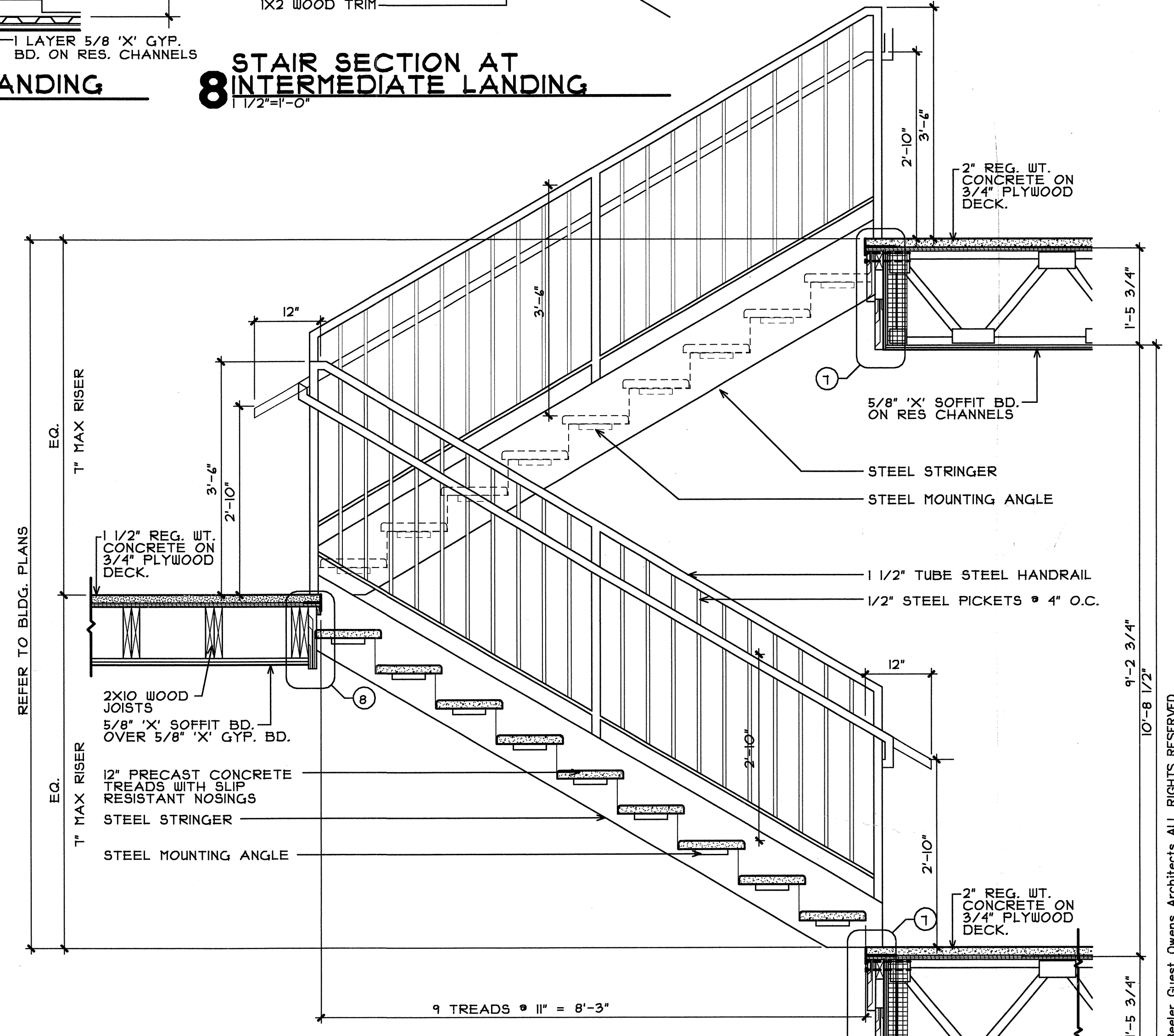
**7 STAIR SECTION AT LANDING**  
1 1/2"=1'-0"



**8 STAIR SECTION AT INTERMEDIATE LANDING**  
1 1/2"=1'-0"



**2 TYPICAL SWITCH-BACK STAIR SECTION @ 1st. FLOOR**  
SCALE: 3/4"=1'-0"



**3 TYPICAL SWITCH-BACK STAIR SECTION FROM 2ND TO 6TH FLOORS**  
SCALE: 3/4"=1'-0"