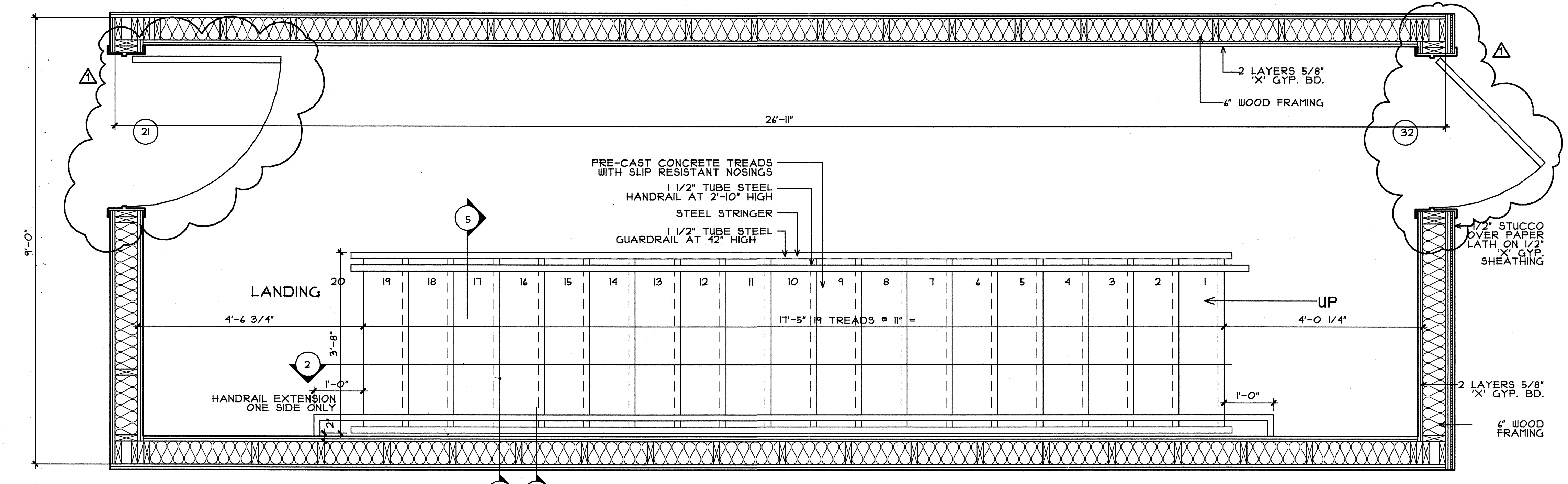
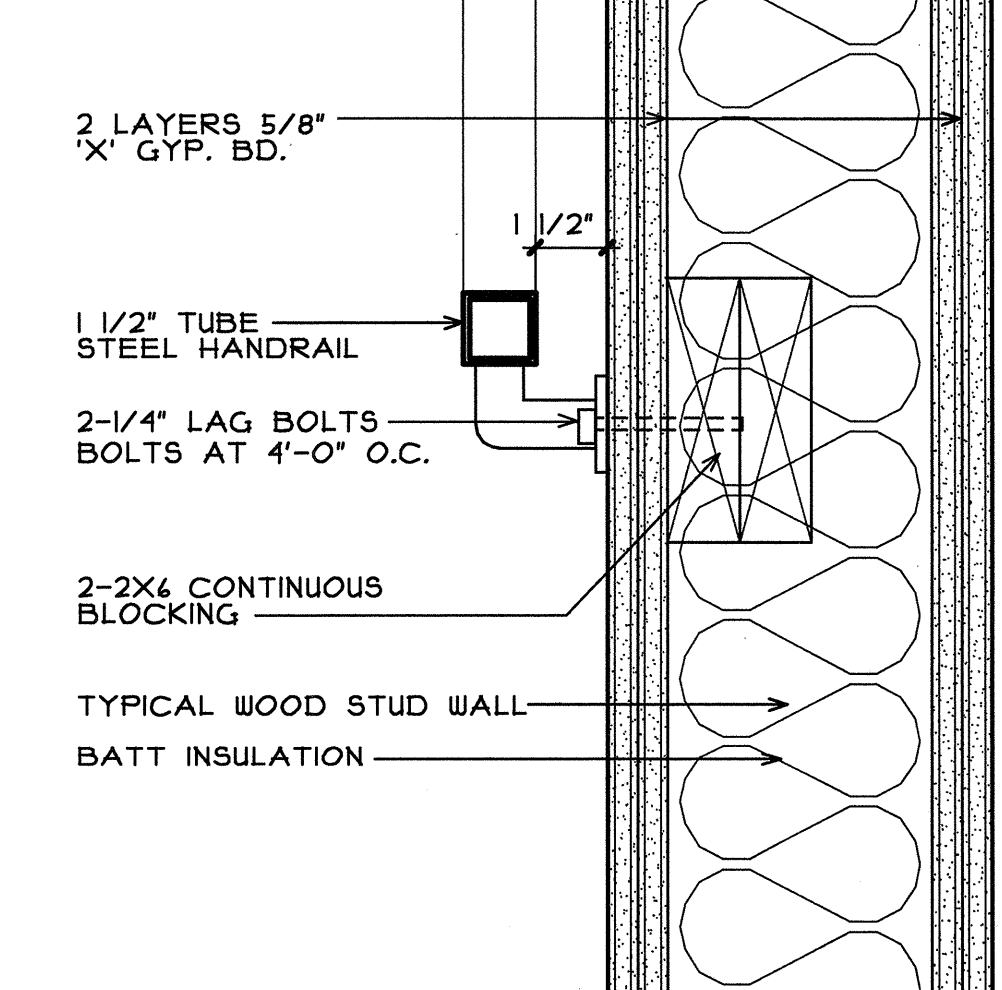


2 TYPICAL STRAIGHT RUN STAIR SECTION
SCALE: 3/4"=1'-0"

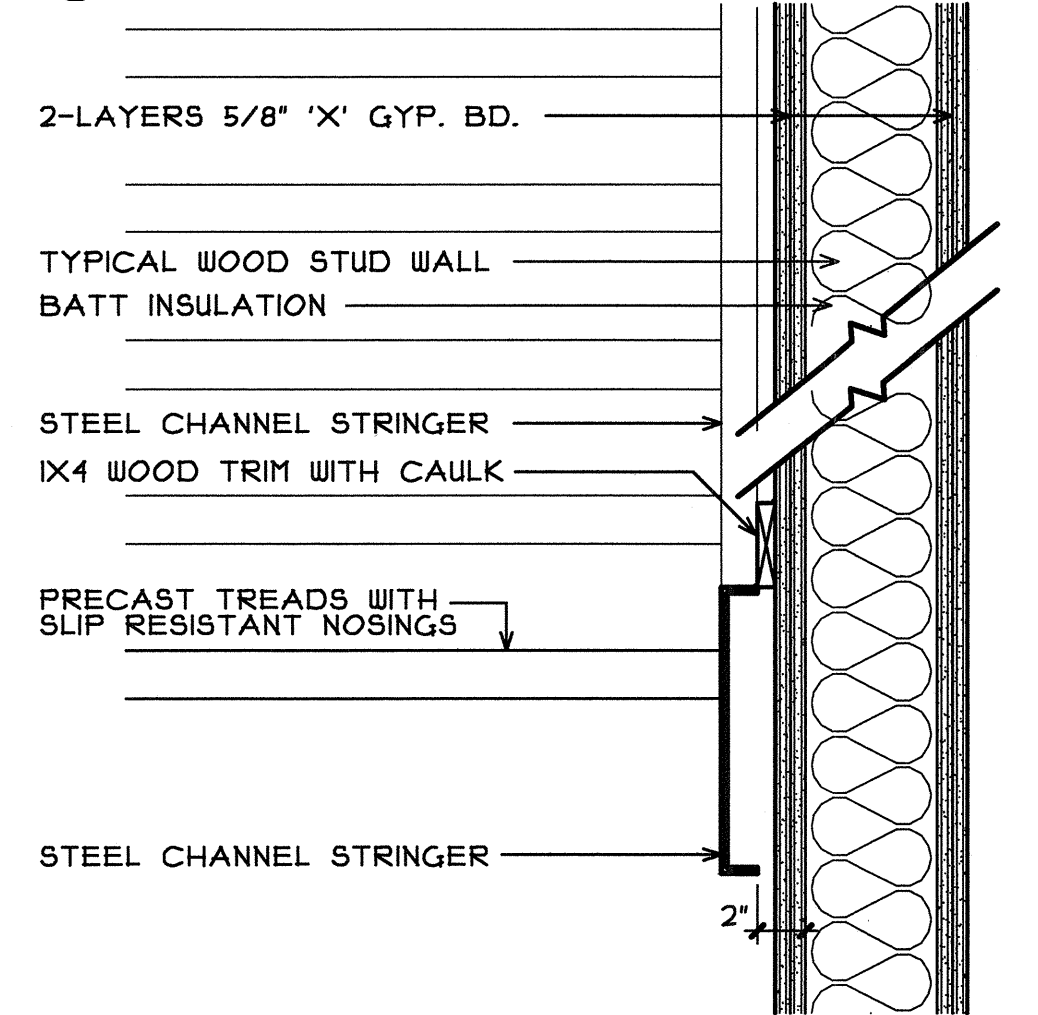


1 TYPICAL STRAIGHT RUN STAIR PLAN
SCALE: 3/4"=1'-0"

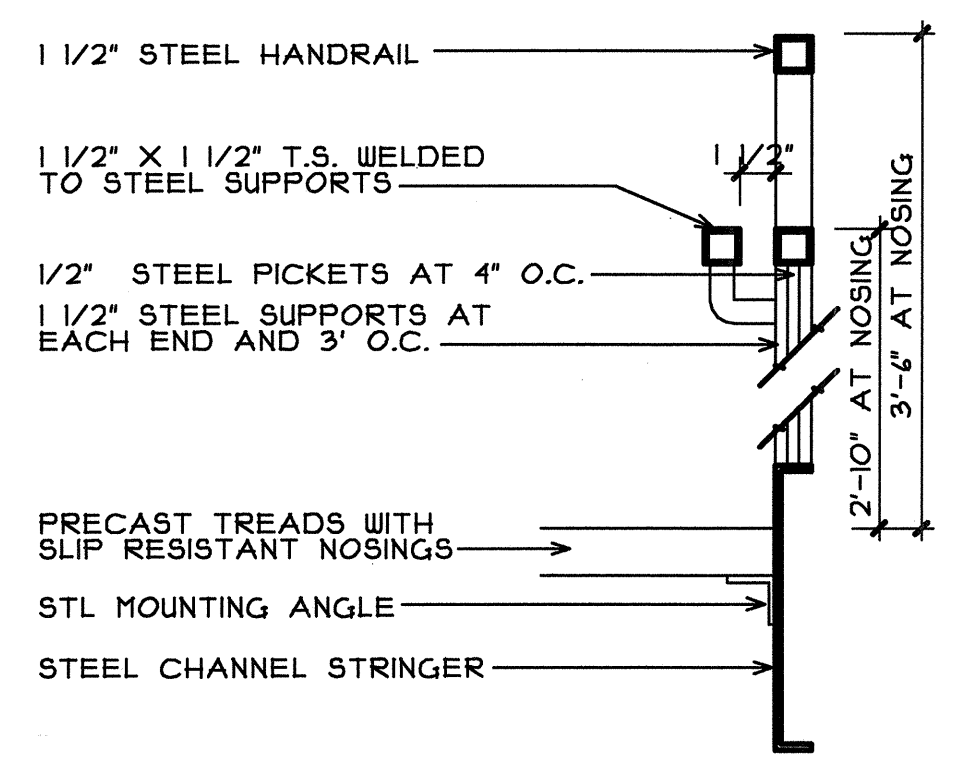
REFER TO BUILDING PLANS FOR LOCATIONS AND DIMS



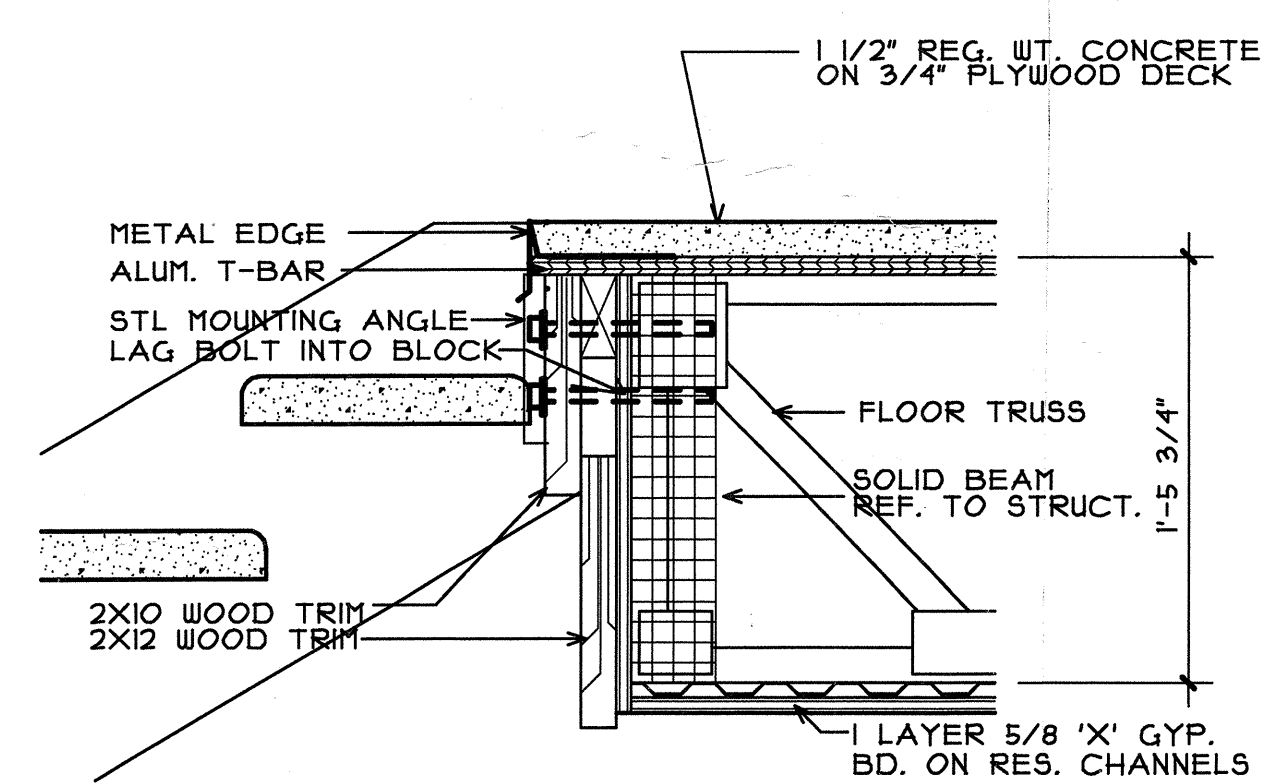
3 HANDRAIL DETAIL
3"=1'-0"



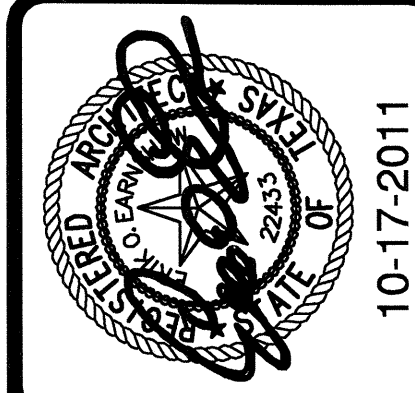
4 STAIR SECTION AT WALL SIDE
1 1/2"=1'-0"



5 STAIR SECTION AT CENTER
1 1/2"=1'-0"



6 STAIR SECTION AT LANDING
1 1/2"=1'-0"



REVISIONS
ANSI/FHA COMMENTS
09-13-2011

KELLER SPRINGS LOFTS
LOFT APARTMENTS IN ADDISON, TEXAS

CONSTRUCTION ISSUE
10-17-2011



4144 N. Central Exp.
Suite 655
Dallas, TX 75204
214.520.8878
bgoarchitects.com

DATE
08-05-2011

PROJECT
11129
SHEET NUMBER

5.2
STAIR PLAN

COPYRIGHT © Beeler Owens Architects ALL RIGHTS RESERVED