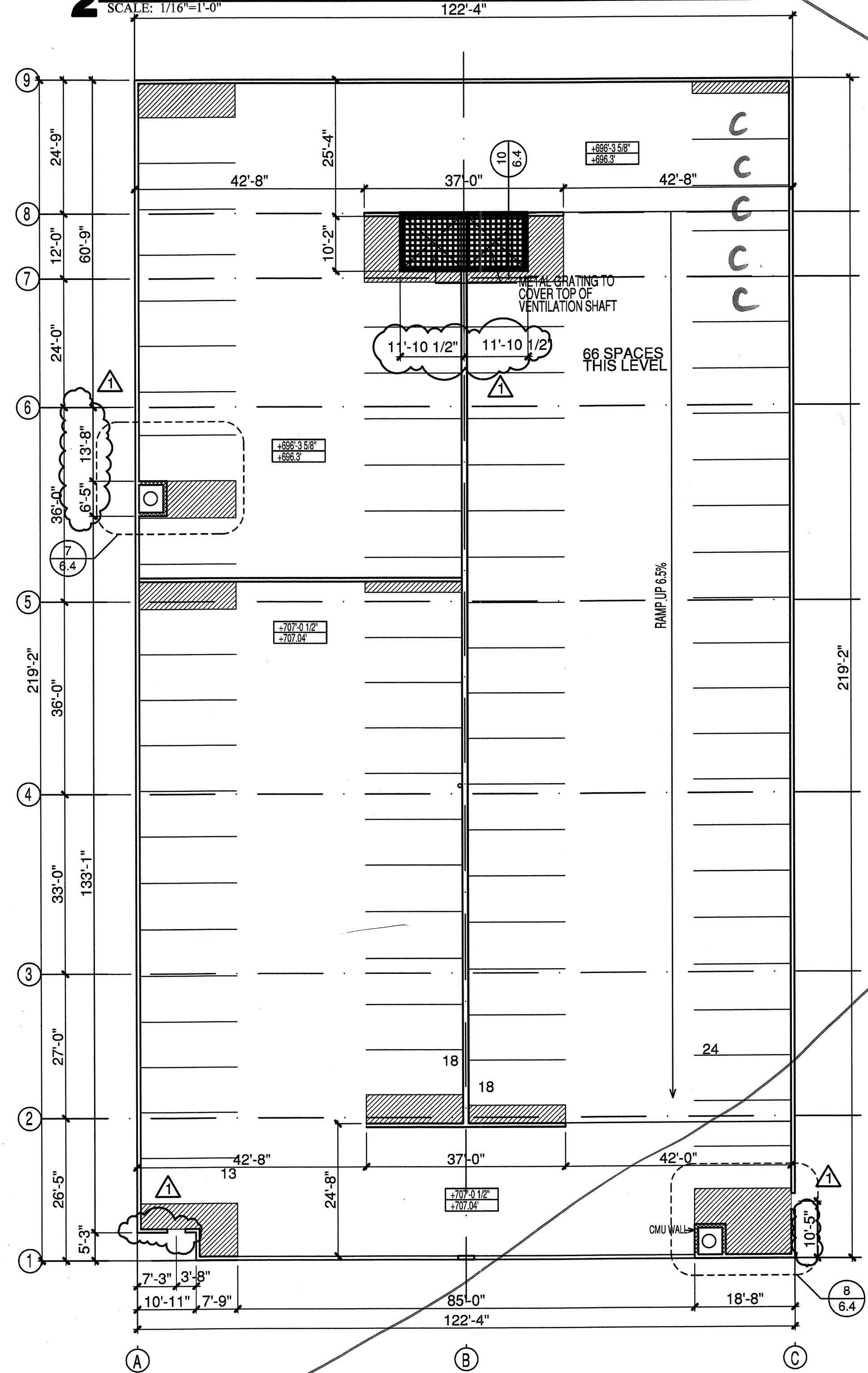
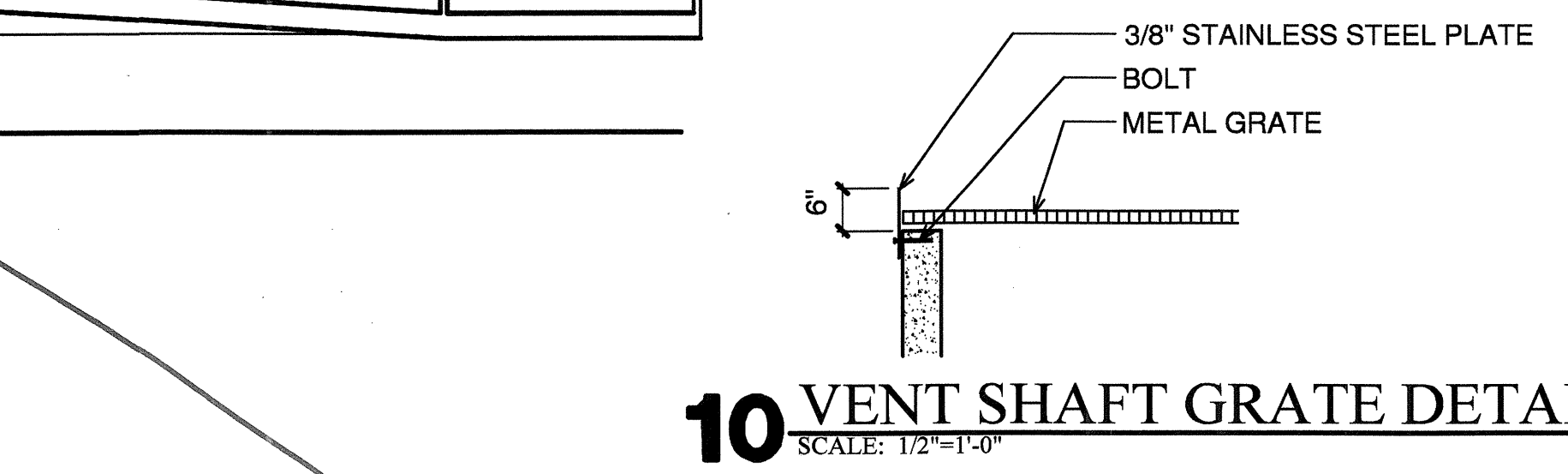


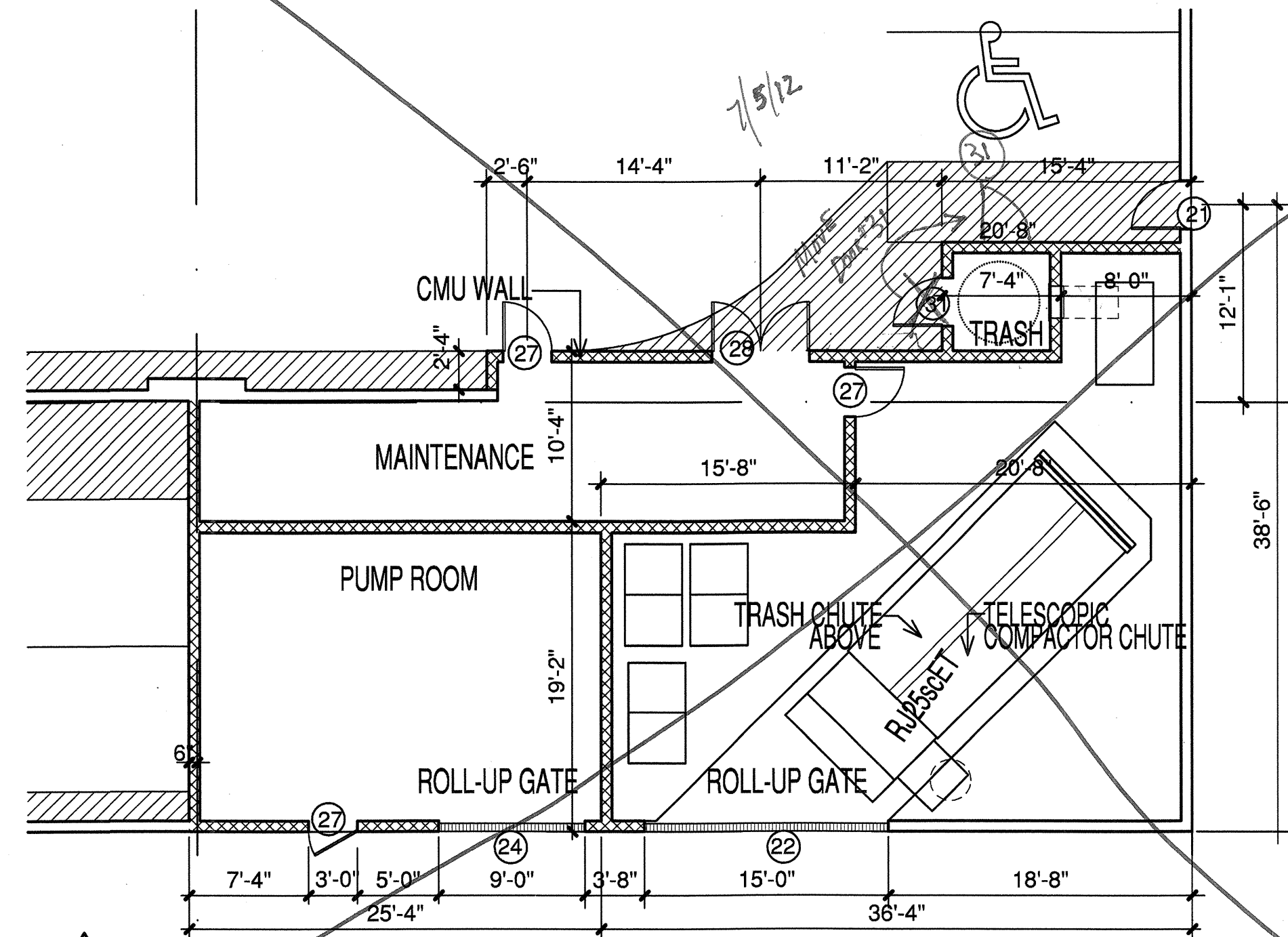
**2 GARAGE SECTION**  
SCALE: 1/16"=1'-0"



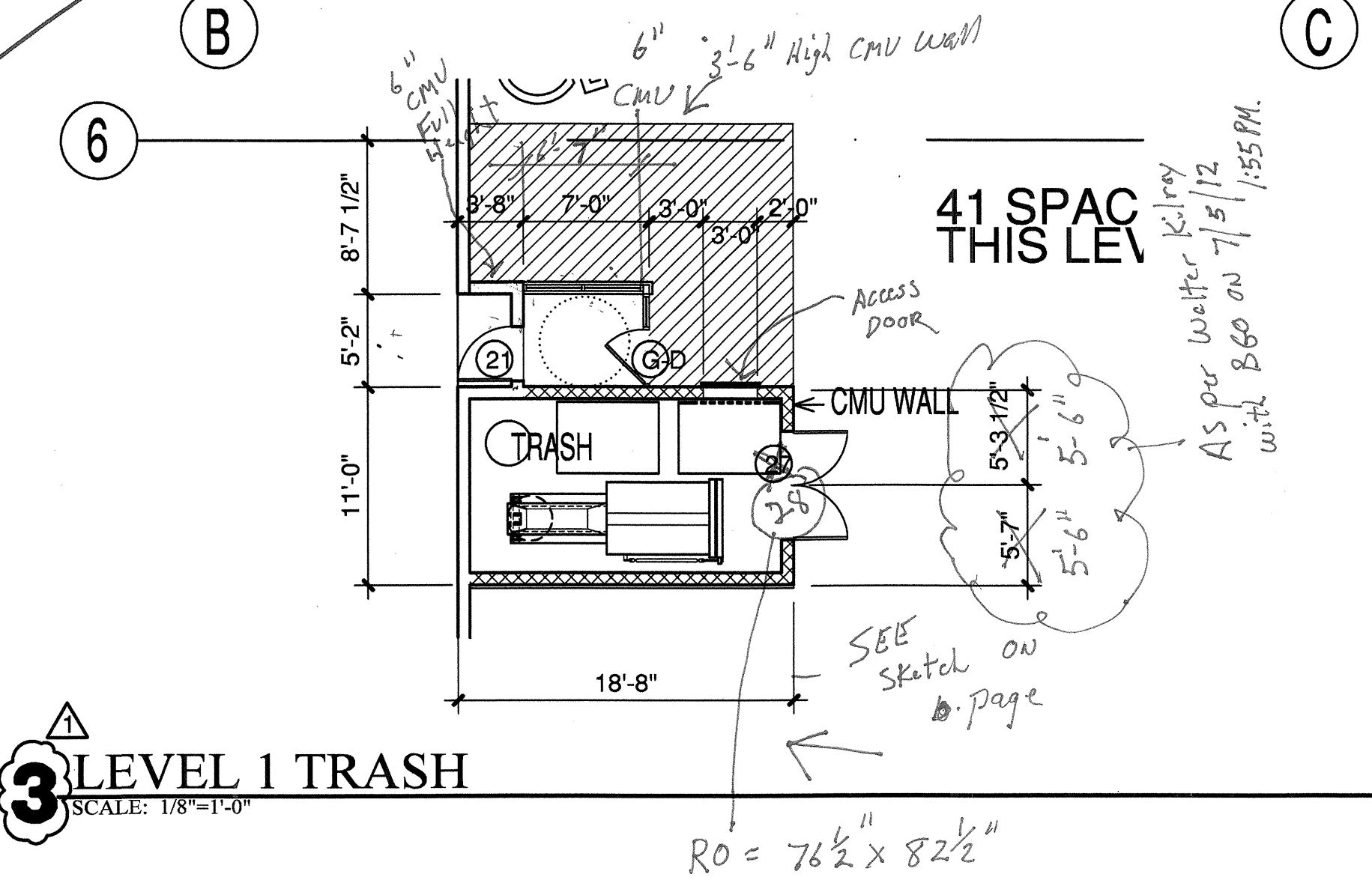
**1 LEVEL 7**  
SCALE: 1/16"=1'-0"



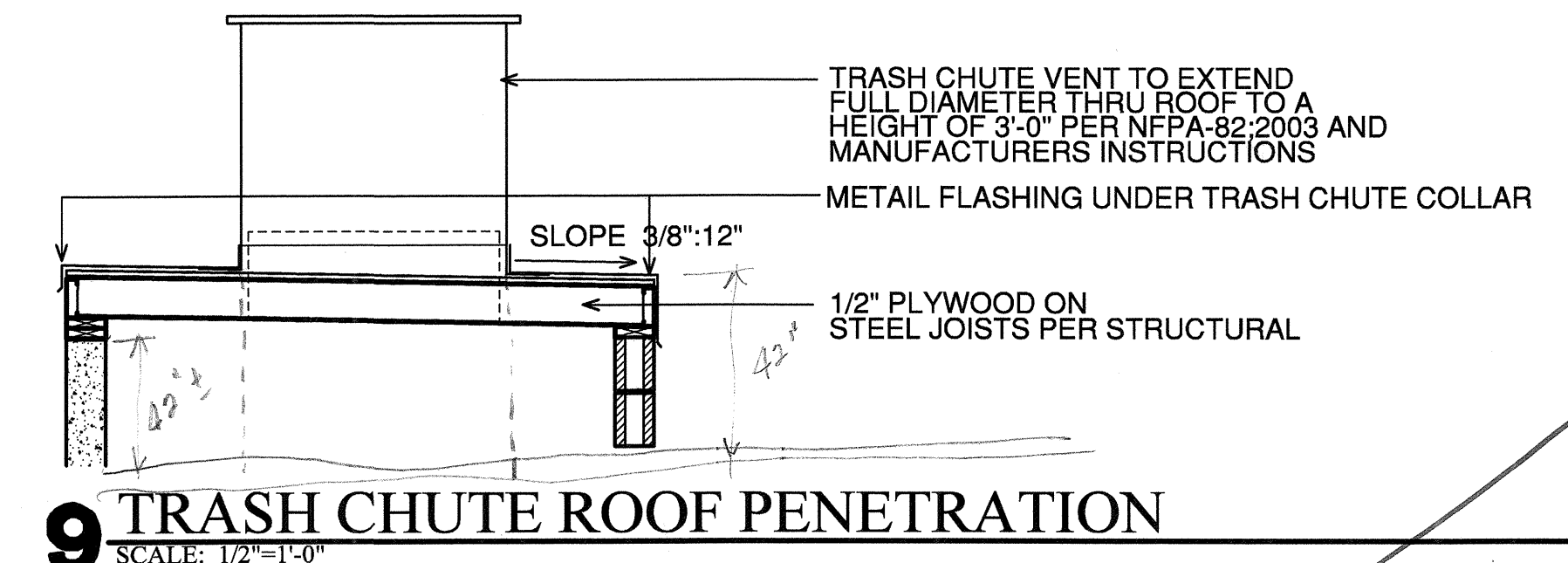
**10 VENT SHAFT GRATE DETAIL**  
SCALE: 1/2"=1'-0"



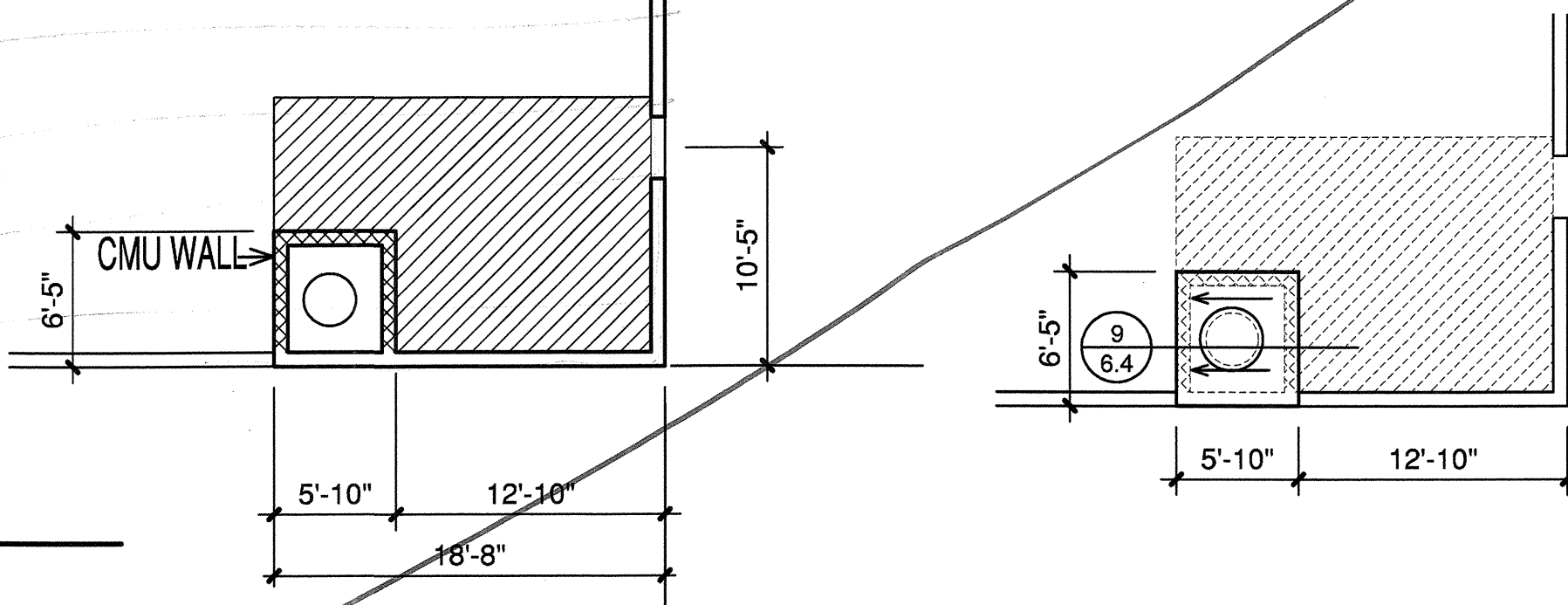
**4 LEVEL 1 TRASH PUMP ROOM**  
SCALE: 1/8"=1'-0"



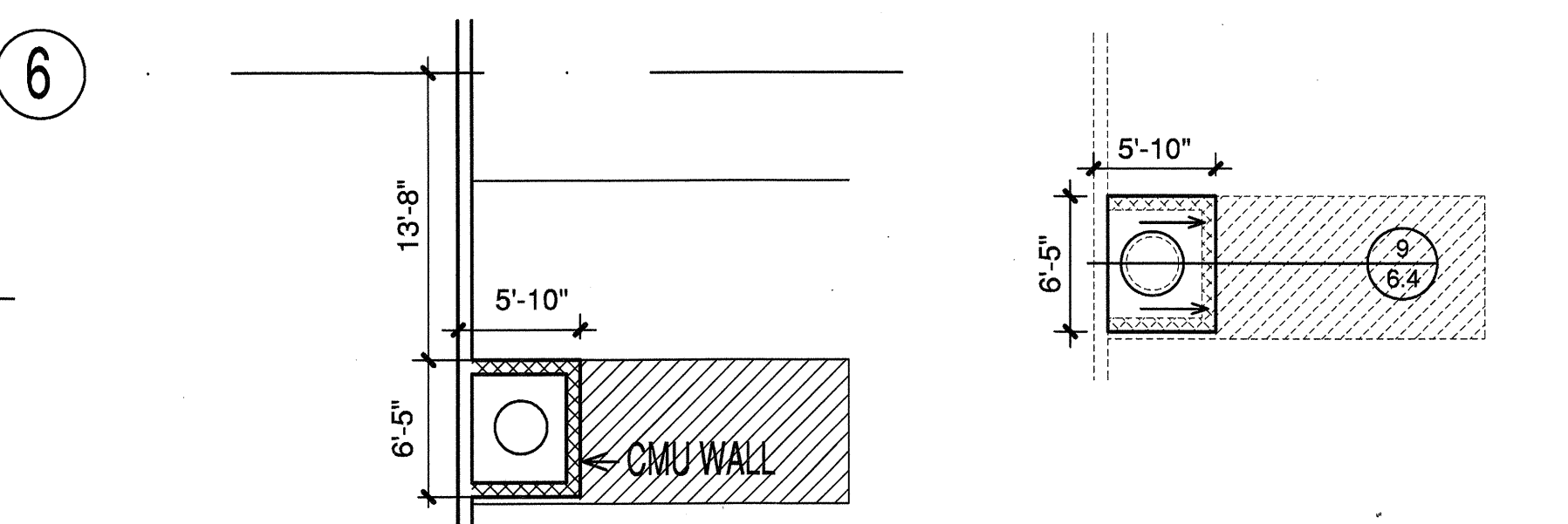
**3 LEVEL 1 TRASH**  
SCALE: 1/8"=1'-0"



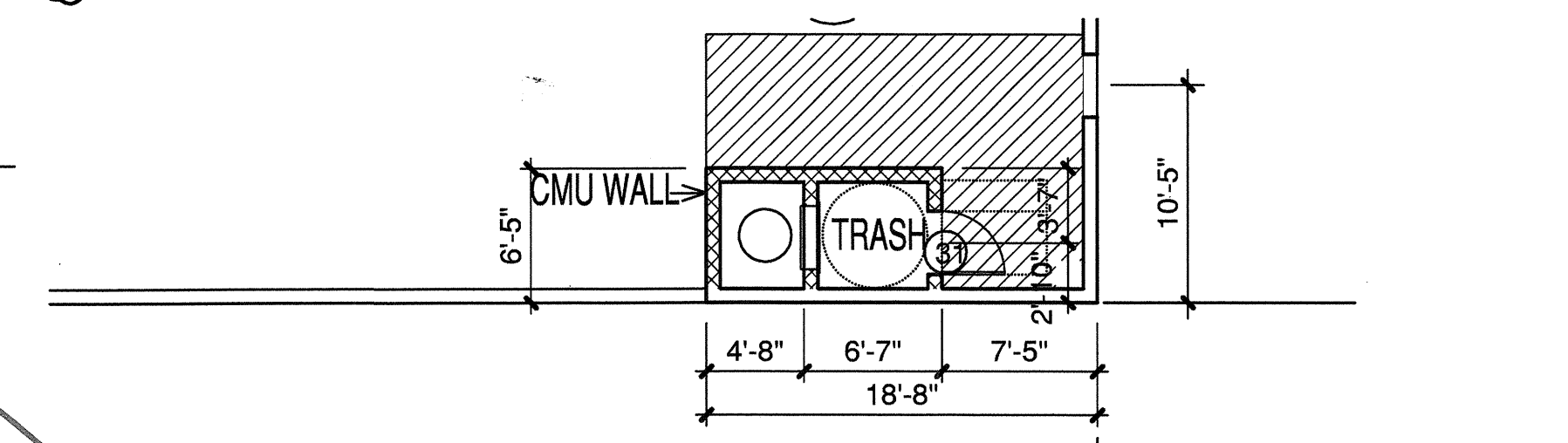
**9 TRASH CHUTE ROOF PENETRATION**  
SCALE: 1/2"=1'-0"



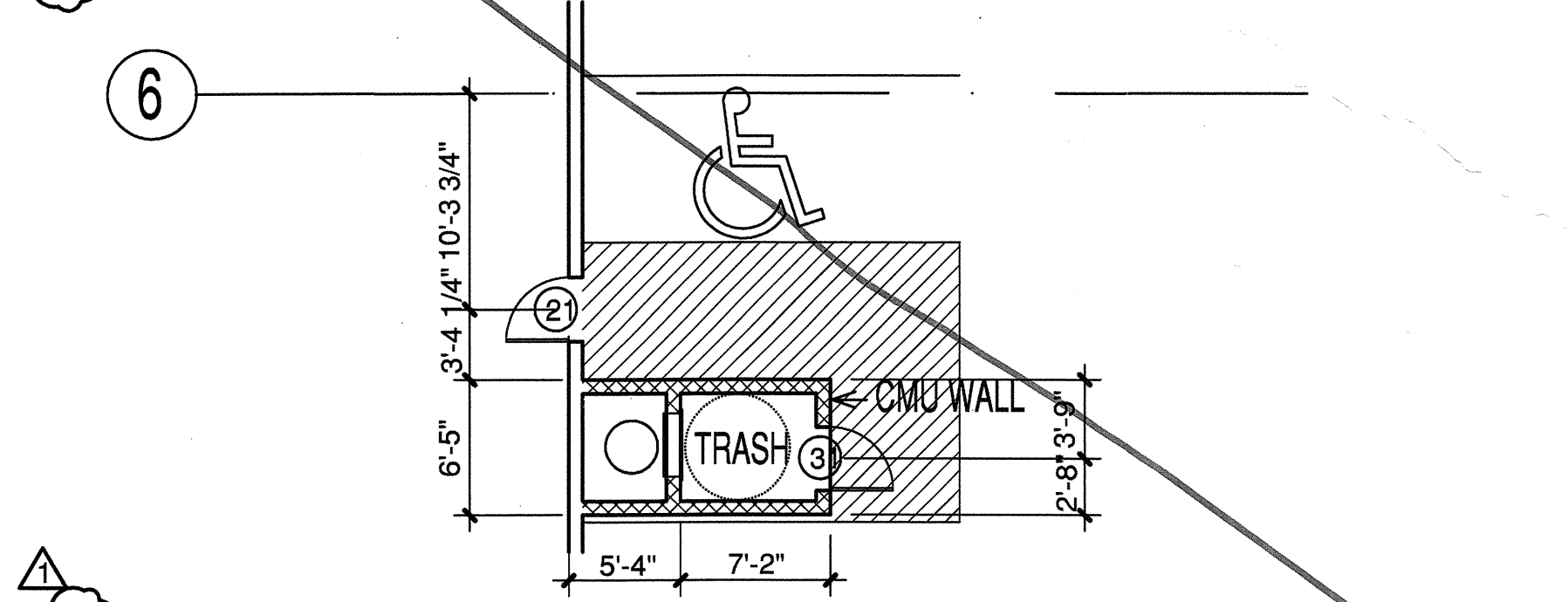
**8 LEVEL 5-7 TRASH SHAFT ROOF**  
SCALE: 1/8"=1'-0"



**7 LEVEL 5-7 TRASH SHAFT ROOF**  
SCALE: 1/8"=1'-0"



**6 LEVEL 2-4 ENTRY**  
SCALE: 1/8"=1'-0"



**5 LEVEL 2-4 ENTRY**  
SCALE: 1/8"=1'-0"



REVISIONS  
**4** GARAGE REVISIONS PER SHOP DWGS 01-03-2012

**KELLER SPRINGS LOFTS**  
 LOFT APARTMENTS IN ADDISON, TEXAS

CONSTRUCTION ISSUE  
 10-17-2011

**BGO architects**  
 4144 N. Central Expy. Suite 255  
 Dallas, TX 75204  
 214.520.8878  
 bgoarchitects.com

DATE  
 08-05-2011

PROJECT  
 11129  
 SHEET NUMBER

**6.4**  
**GARAGE PLAN 7 & SECTION**

COPYRIGHT © Beeler Guest Owens Architects ALL RIGHTS RESERVED