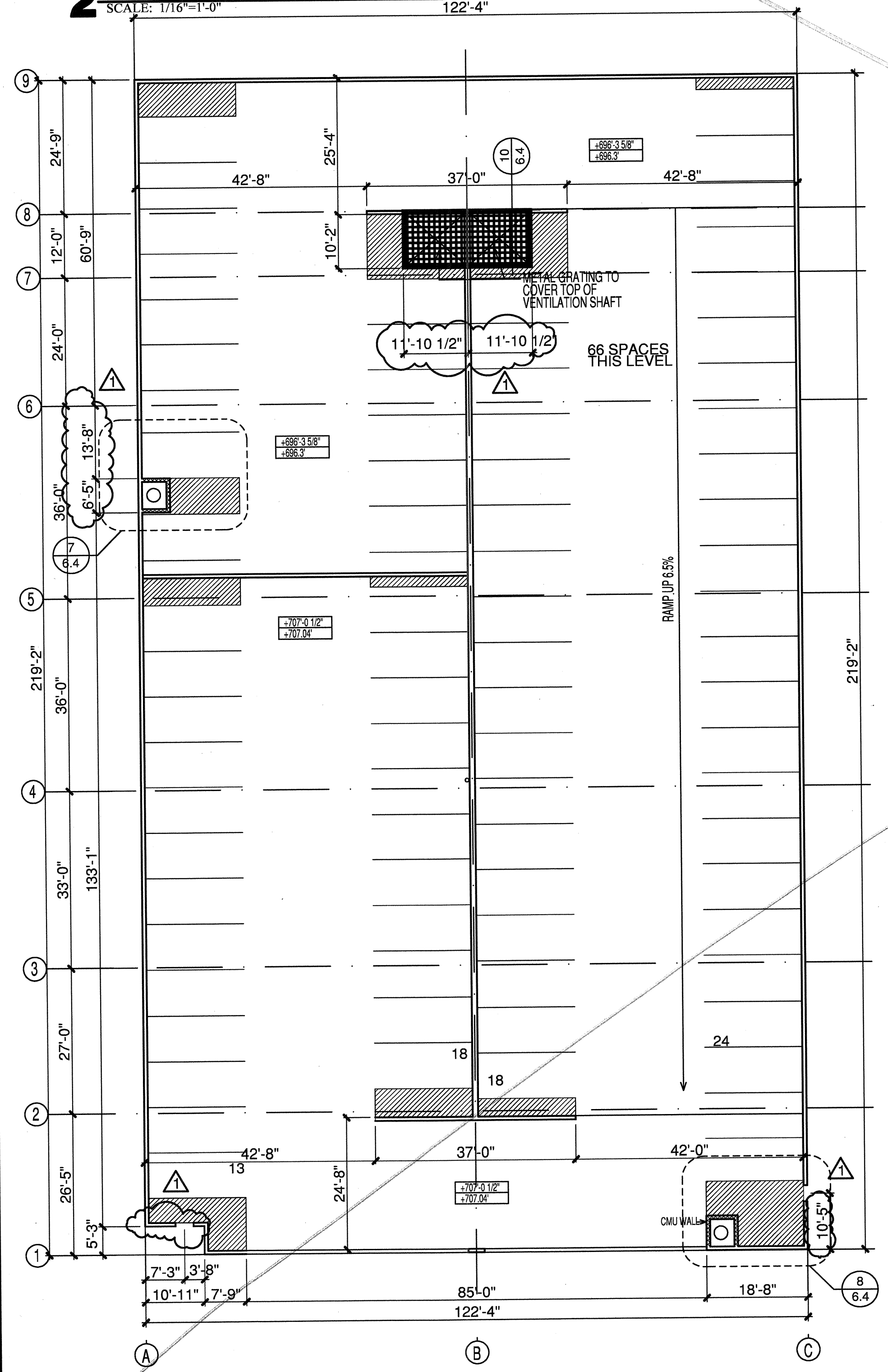
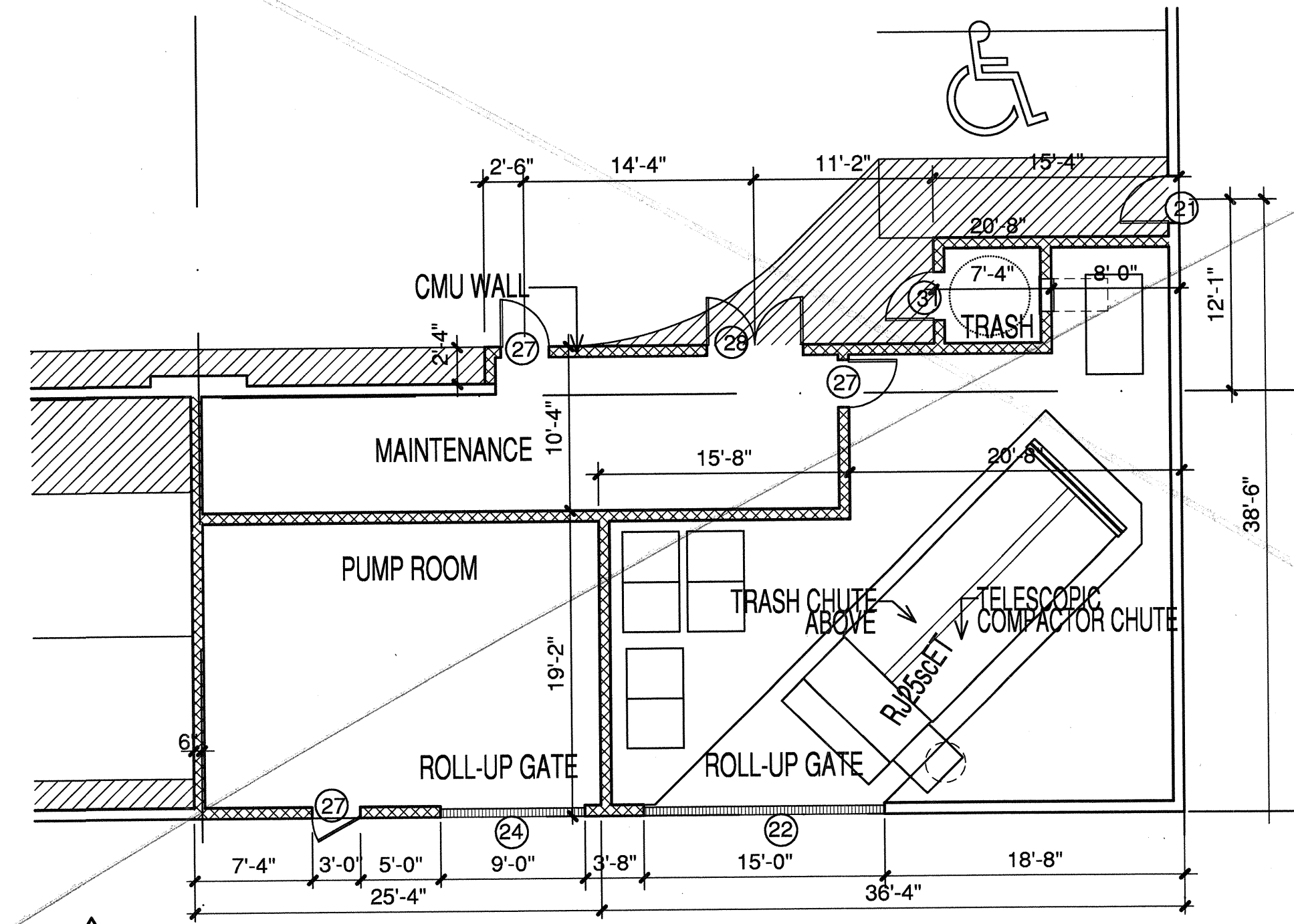


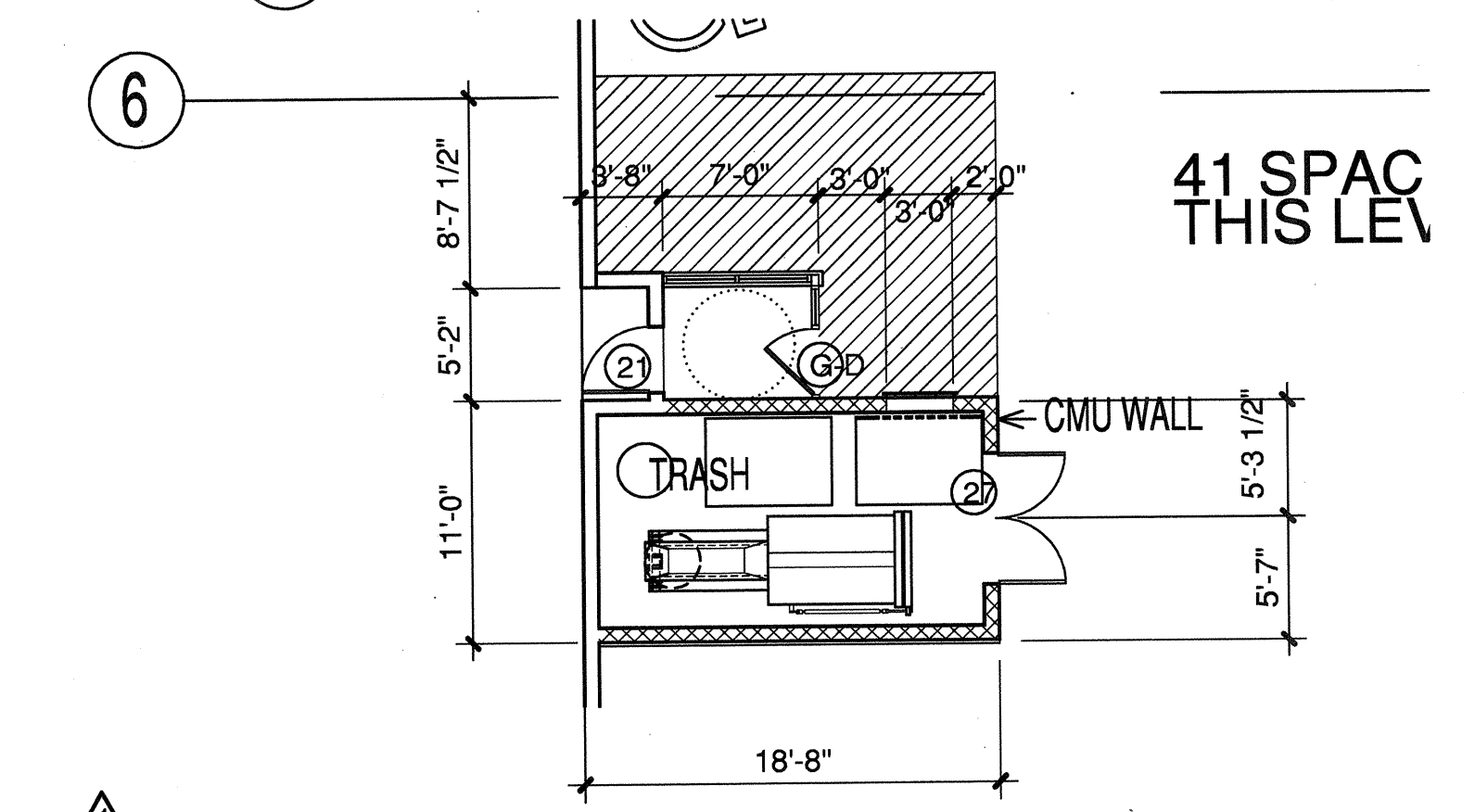
2 GARAGE SECTION
SCALE: 1/16"=1'-0"



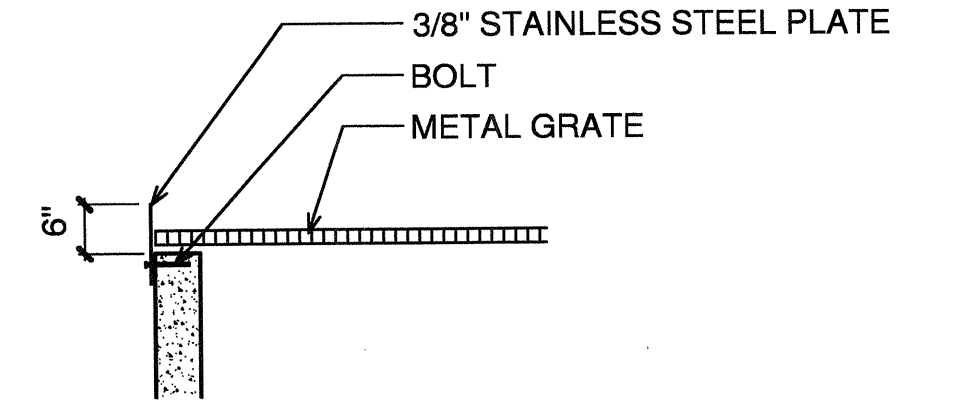
1 LEVEL 7
SCALE: 1/16"=1'-0"



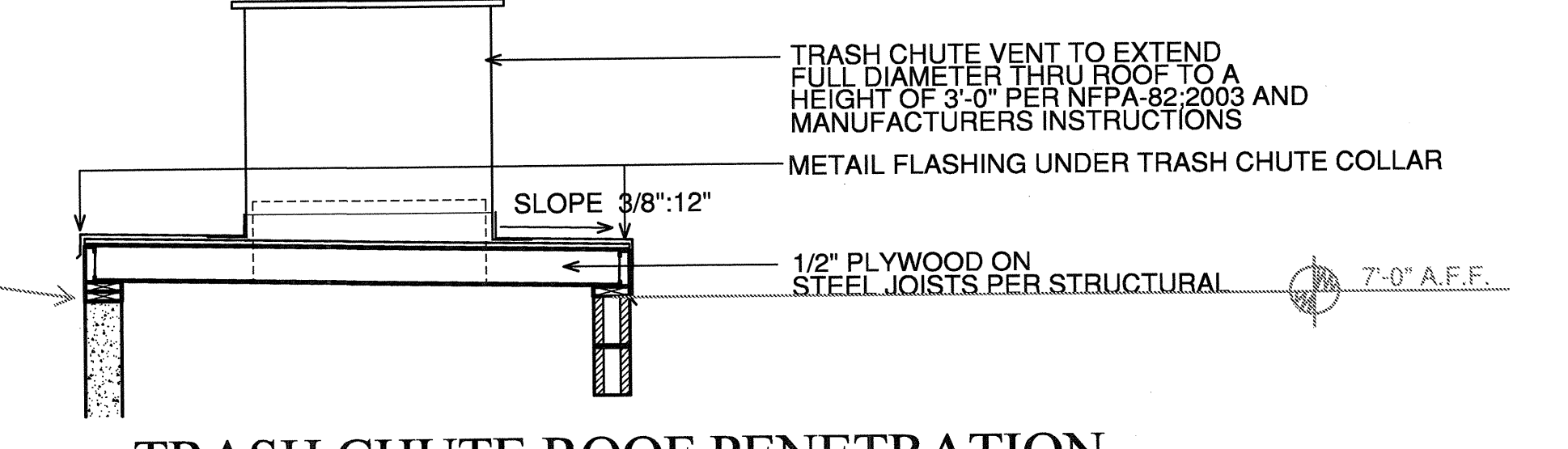
4 LEVEL 1 TRASH PUMP ROOM
SCALE: 1/8"=1'-0"



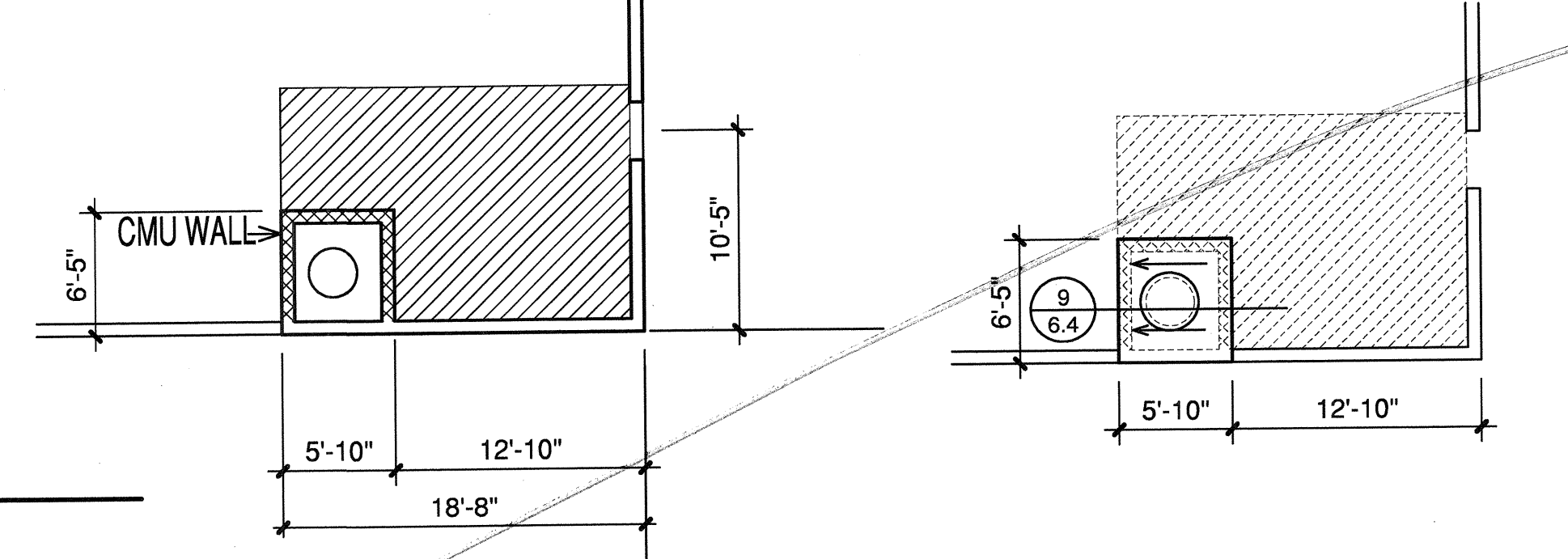
3 LEVEL 1 TRASH
SCALE: 1/8"=1'-0"



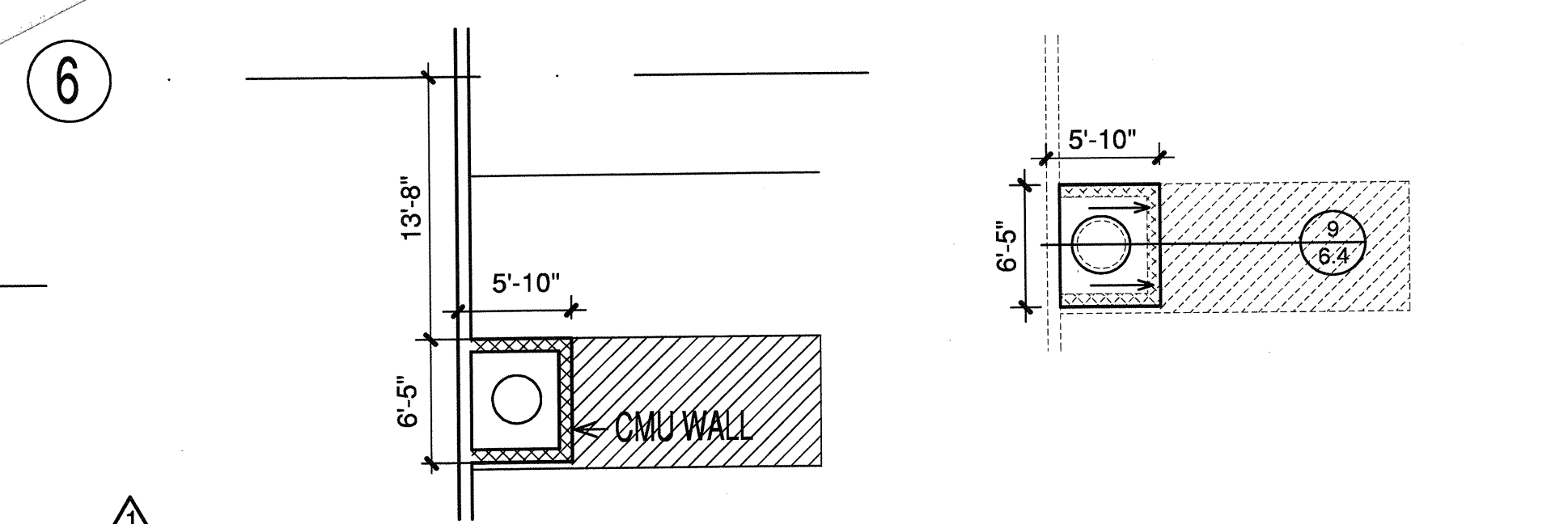
10 VENT SHAFT GRATE DETAIL
SCALE: 1/2"=1'-0"



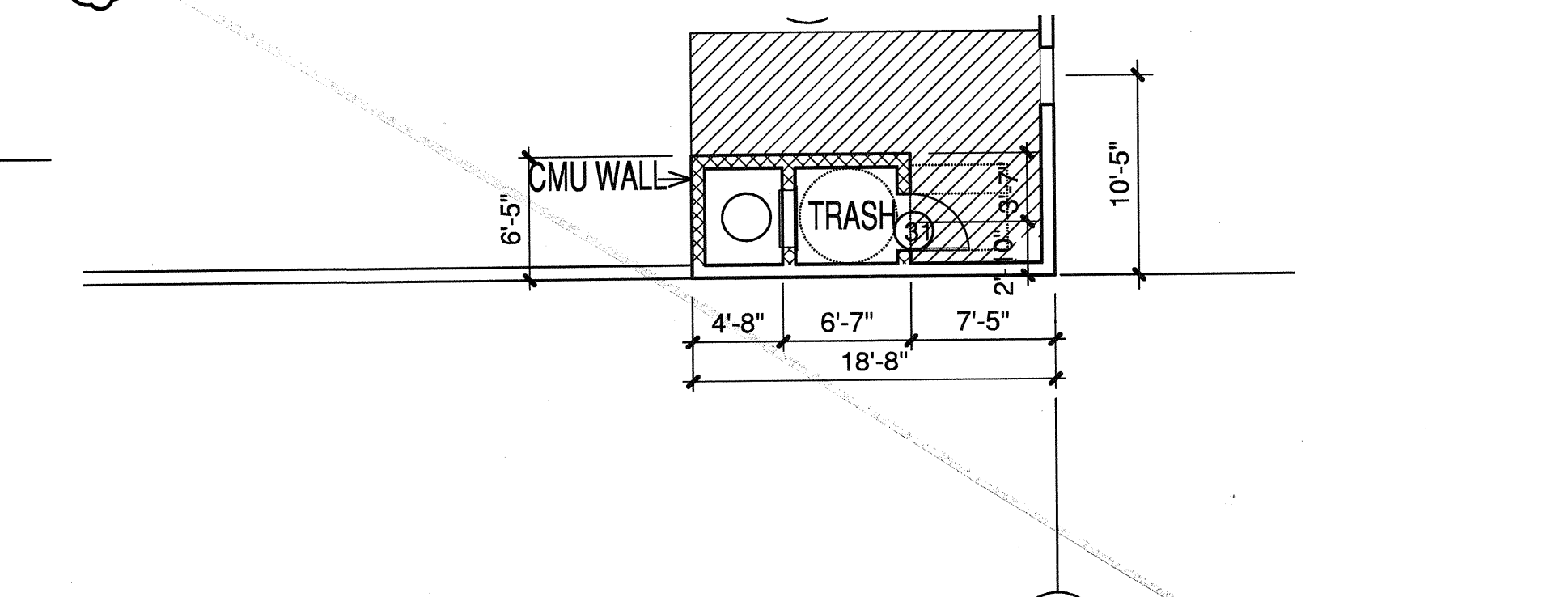
9 TRASH CHUTE ROOF PENETRATION
SCALE: 1/2"=1'-0"



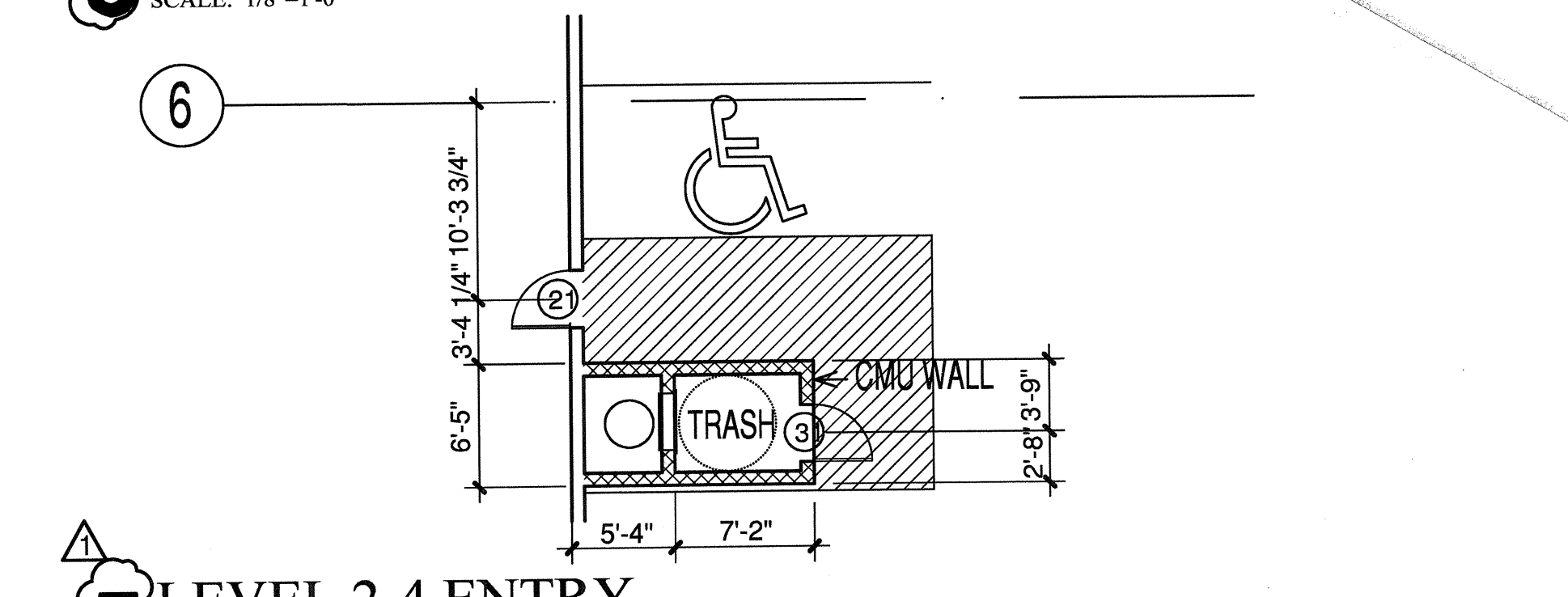
8 LEVEL 5-7 TRASH SHAFT ROOF
SCALE: 1/8"=1'-0"



7 LEVEL 5-7 TRASH SHAFT ROOF
SCALE: 1/8"=1'-0"



6 LEVEL 2-4 ENTRY
SCALE: 1/8"=1'-0"



5 LEVEL 2-4 ENTRY
SCALE: 1/8"=1'-0"



01-03-2012

REVISIONS
GARAGE REVISIONS PER SHOP DWGS 01-03-2012

KELLER SPRINGS LOFTS
LOFT APARTMENTS IN ADDISON, TEXAS

CONSTRUCTION ISSUE
10-17-2011

BGO architects

4144 N. Central Expy. Suite 855
Dallas, TX 75204
214.520.8878
bgoarchitects.com

DATE
08-05-2011

PROJECT
11129

SHEET NUMBER

6.4
GARAGE PLAN
7 & SECTION

COPYRIGHT © Beeler Guest Owens Architects ALL RIGHTS RESERVED