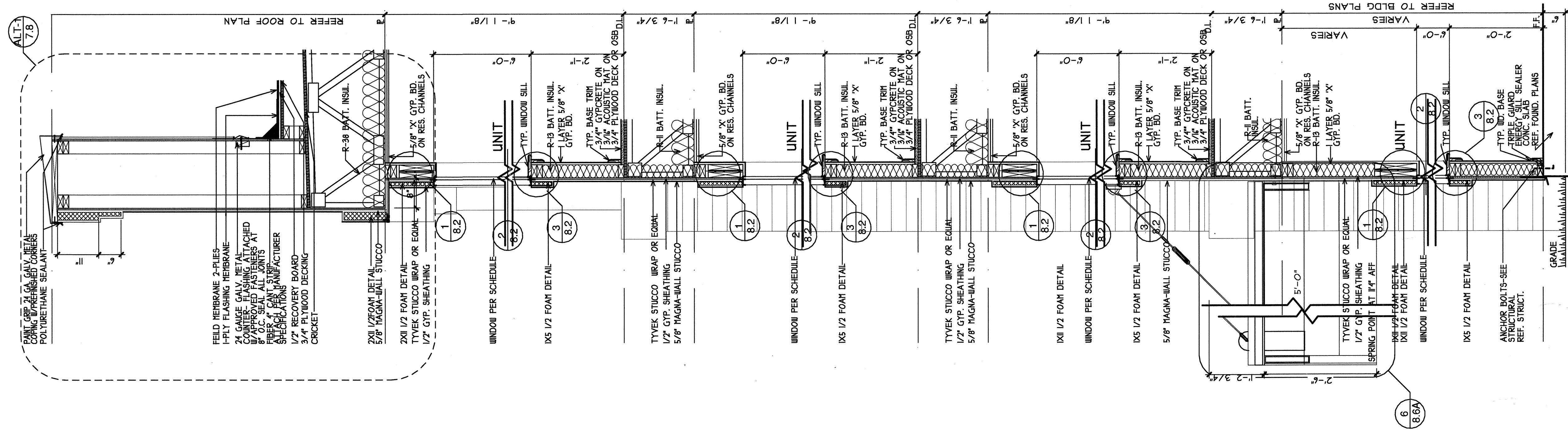


NOTE: ALL FOAM DETAIL LOCATIONS:
 8X FOAM DETAIL ON 1/2" GYP. MAGMA-WALL STUCCO ON 1/2" GYP. SHEATHING

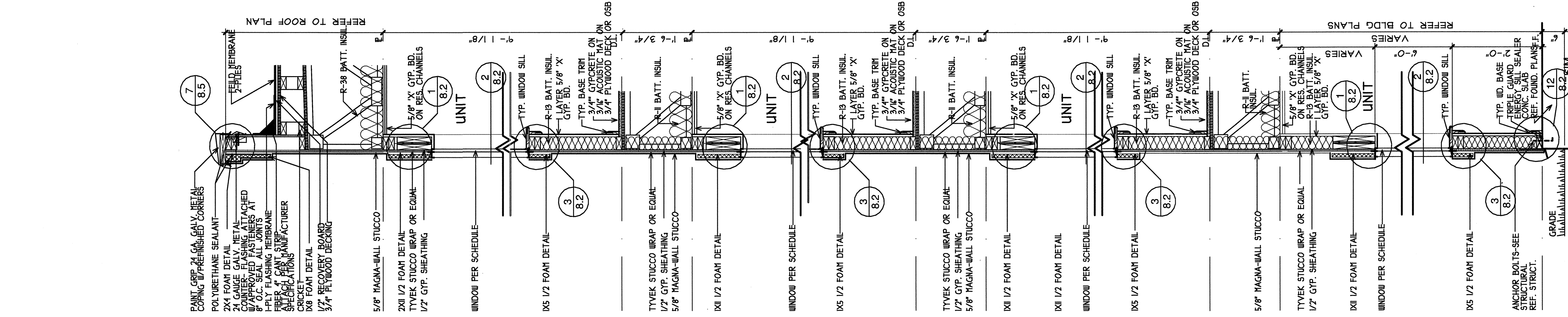
NOTE:
 BID ALTERNATE TPO ROOFING



FIRE RATINGS:
 FLOOR/CLG-1 HR-JLL #R223
 WALL-1 HR-JLL #R334
 ENERGY STUCCO
 4-STORY EXT. BI UNIT - STUCCO

SOUND RATINGS:
 FLOOR/CLG-STC (2/0) REQ.)*
 WITH FLOOR COVERING

4-STORY EXT. BI UNIT - STUCCO
 3/4"=1'-0"



FIRE RATINGS:
 FLOOR/CLG-1 HR-JLL #R223
 WALL-1 HR-JLL #R334
 ENERGY STUCCO
 4-STORY EXT. BI - STONE/STUCCO

SOUND RATINGS:
 FLOOR/CLG-STC (2/0) REQ.)*
 WITH FLOOR COVERING

4-STORY EXT. BI - STONE/STUCCO
 3/4"=1'-0"

FIRE RATINGS:
 FLOOR/CLG-1 HR-JLL #R223
 WALL-1 HR-JLL #R334
 ENERGY STUCCO
 4-STORY EXT. BI UNIT - STUCCO

SOUND RATINGS:
 FLOOR/CLG-STC (2/0) REQ.)*
 WITH FLOOR COVERING

4-STORY EXT. BI UNIT - STUCCO
 3/4"=1'-0"