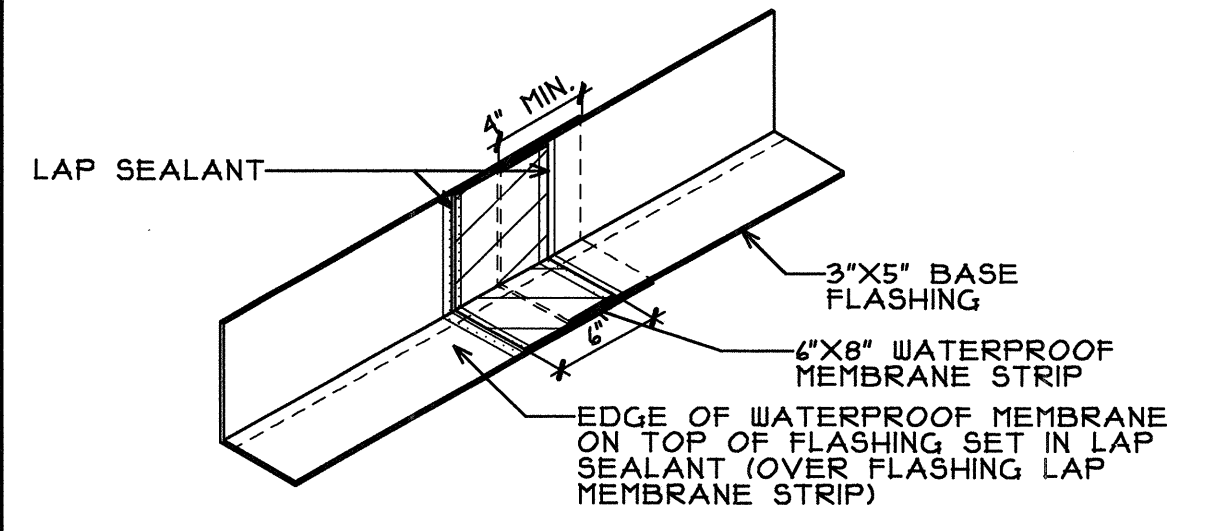
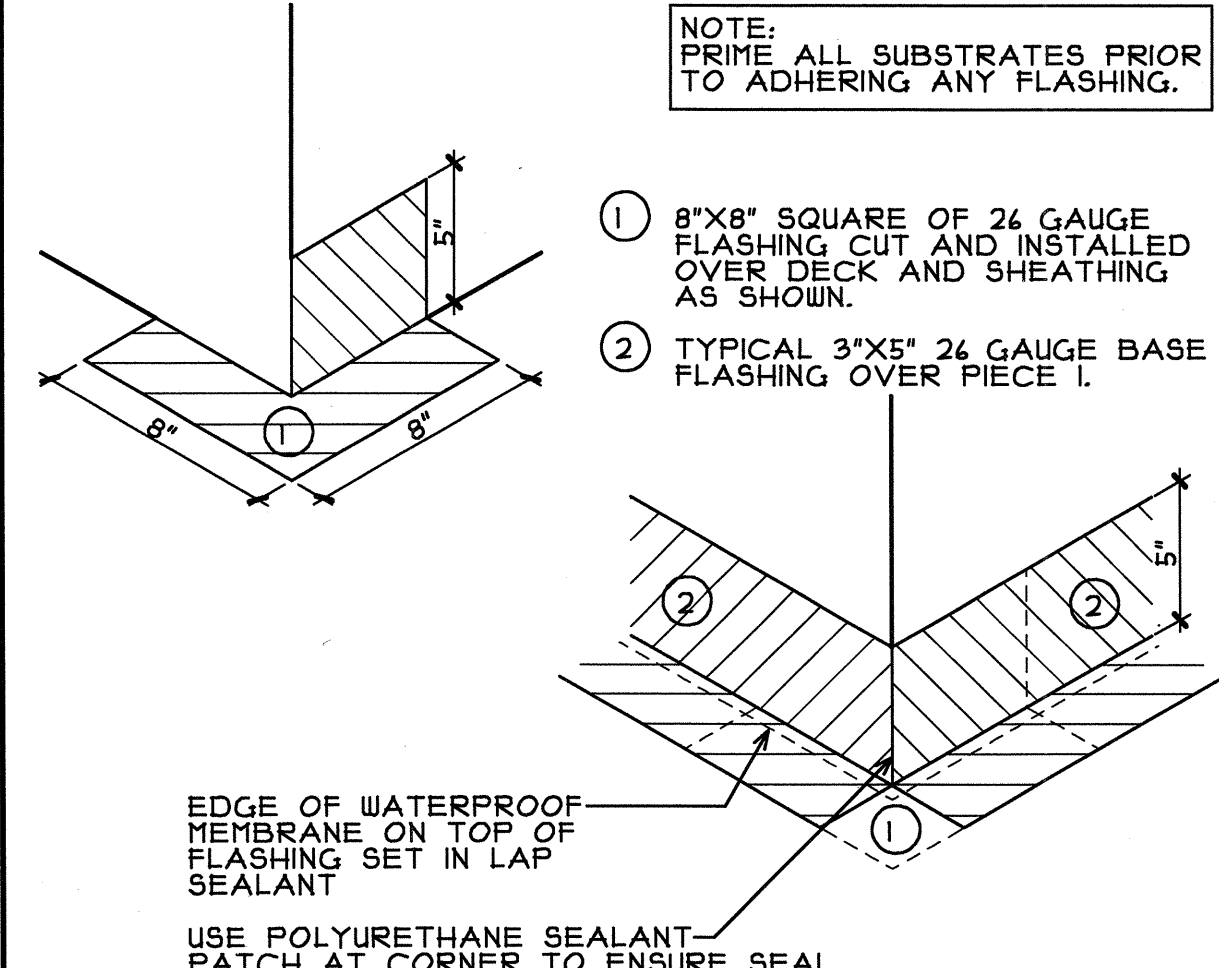


1. TYPICAL 3"x5" 24 GAUGE BASE FLASHING LAP 4" MIN.
2. 4"x8" STRIP OF WATERPROOF MEMBRANE PLACED OVER FLASHING LAP
3. APPLY LAP SEALANT AT EDGES OF WATERPROOF MEMBRANE STRIP



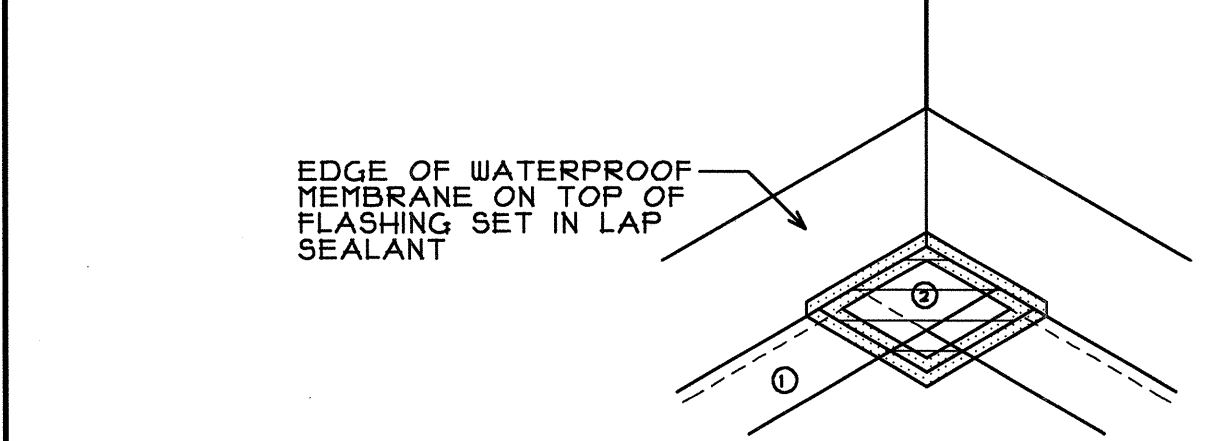
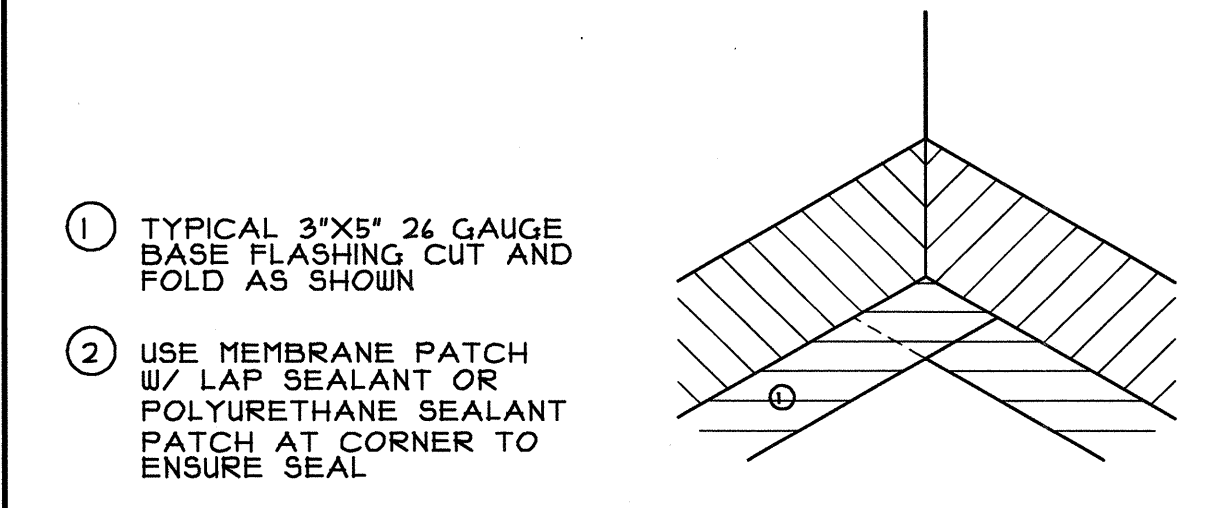
1 FLASHING LAP

1 1/2"=1'-0"



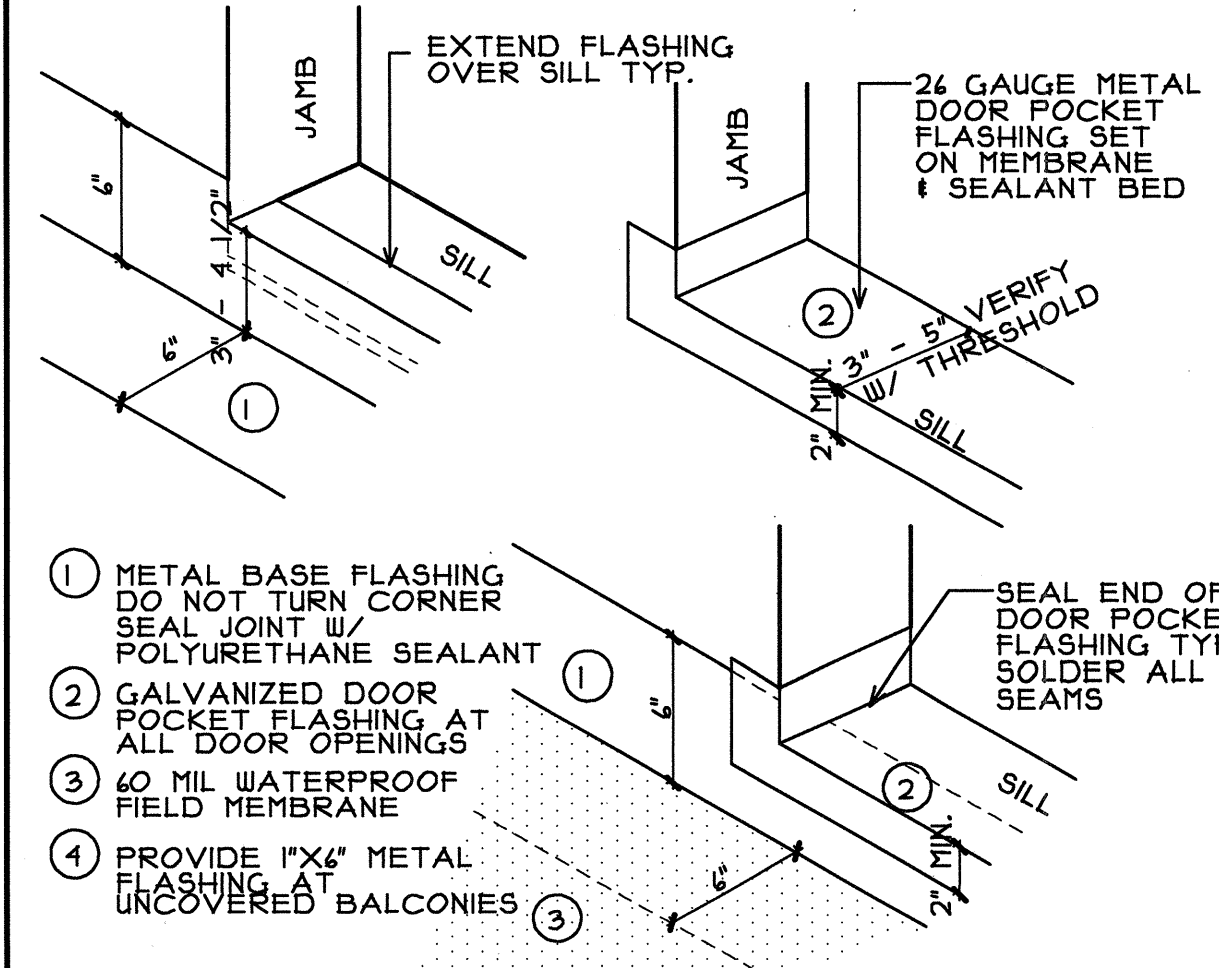
2 FLASHING @ OUTSIDE CORNER

1 1/2"=1'-0"



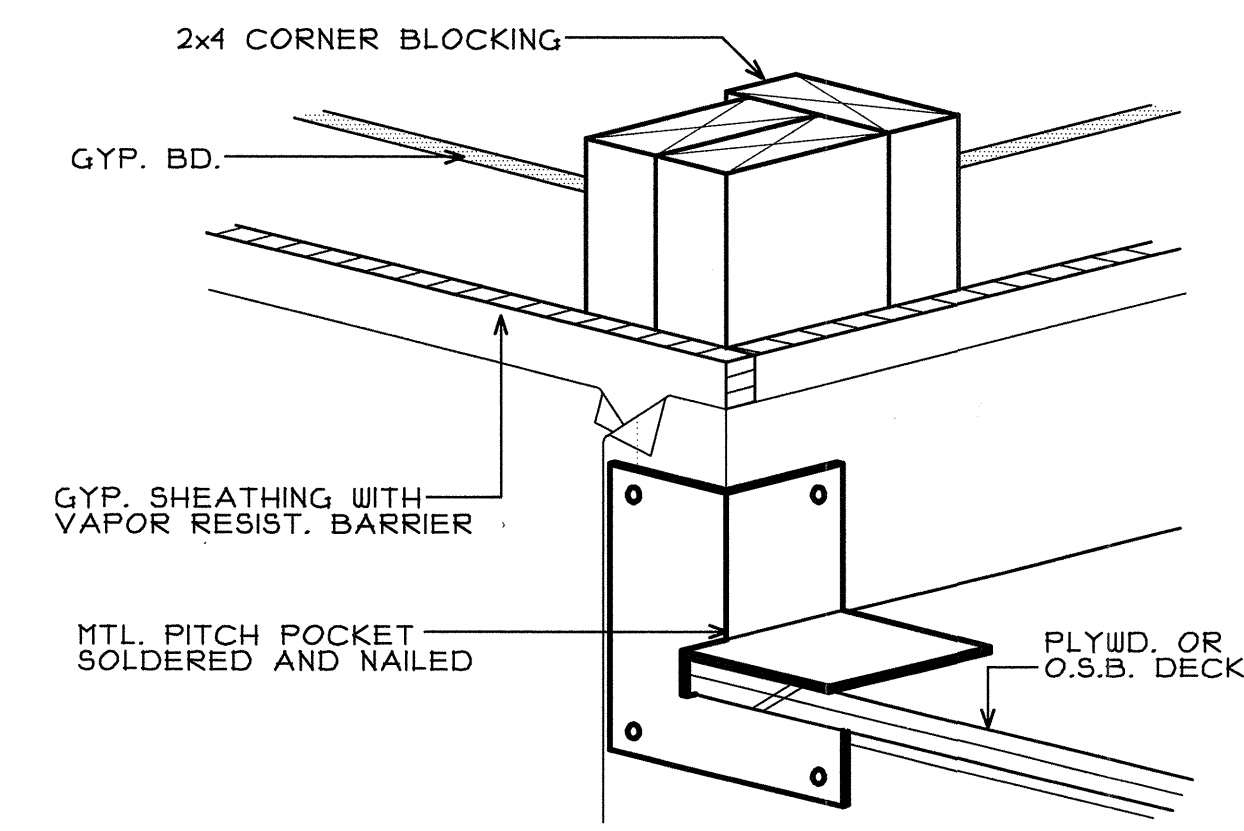
3 FLASHING @ INSIDE CORNER

1 1/2"=1'-0"



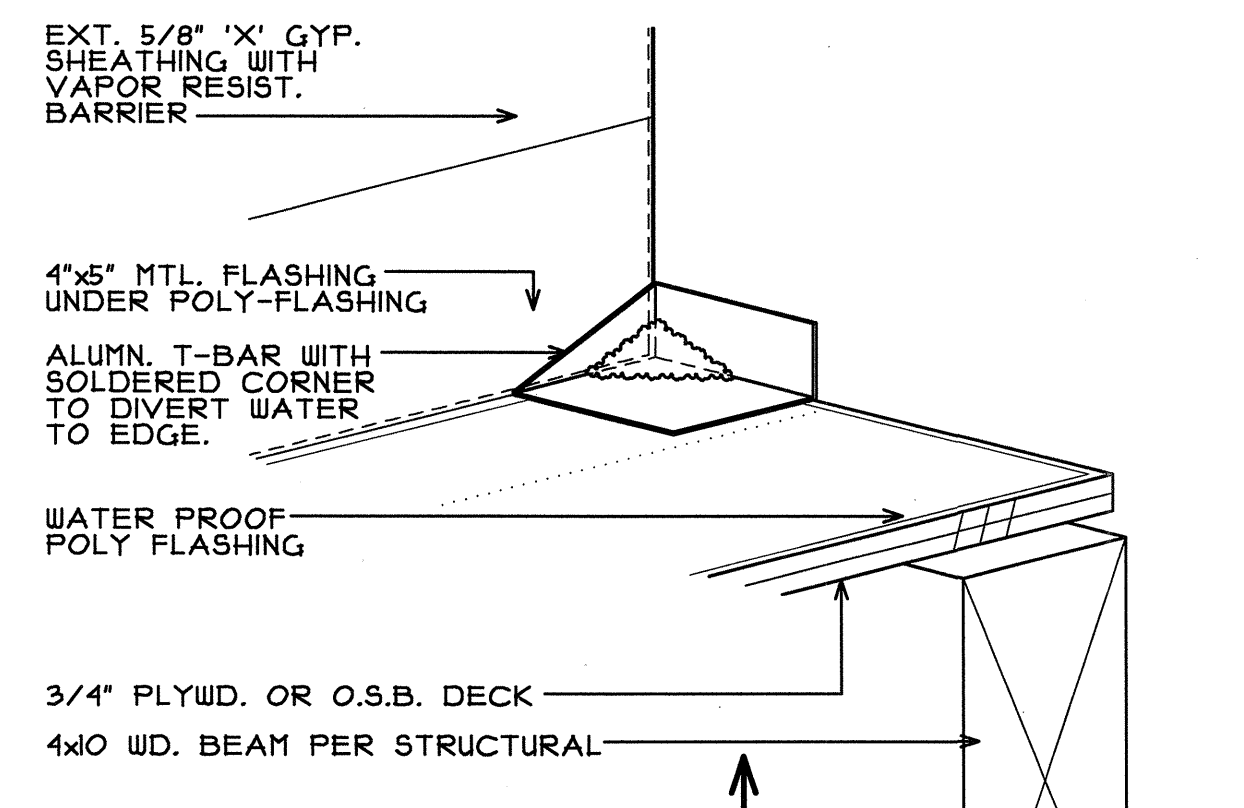
4 2-PIECE FLASHING @ DOOR OPENING

3"=1'-0"



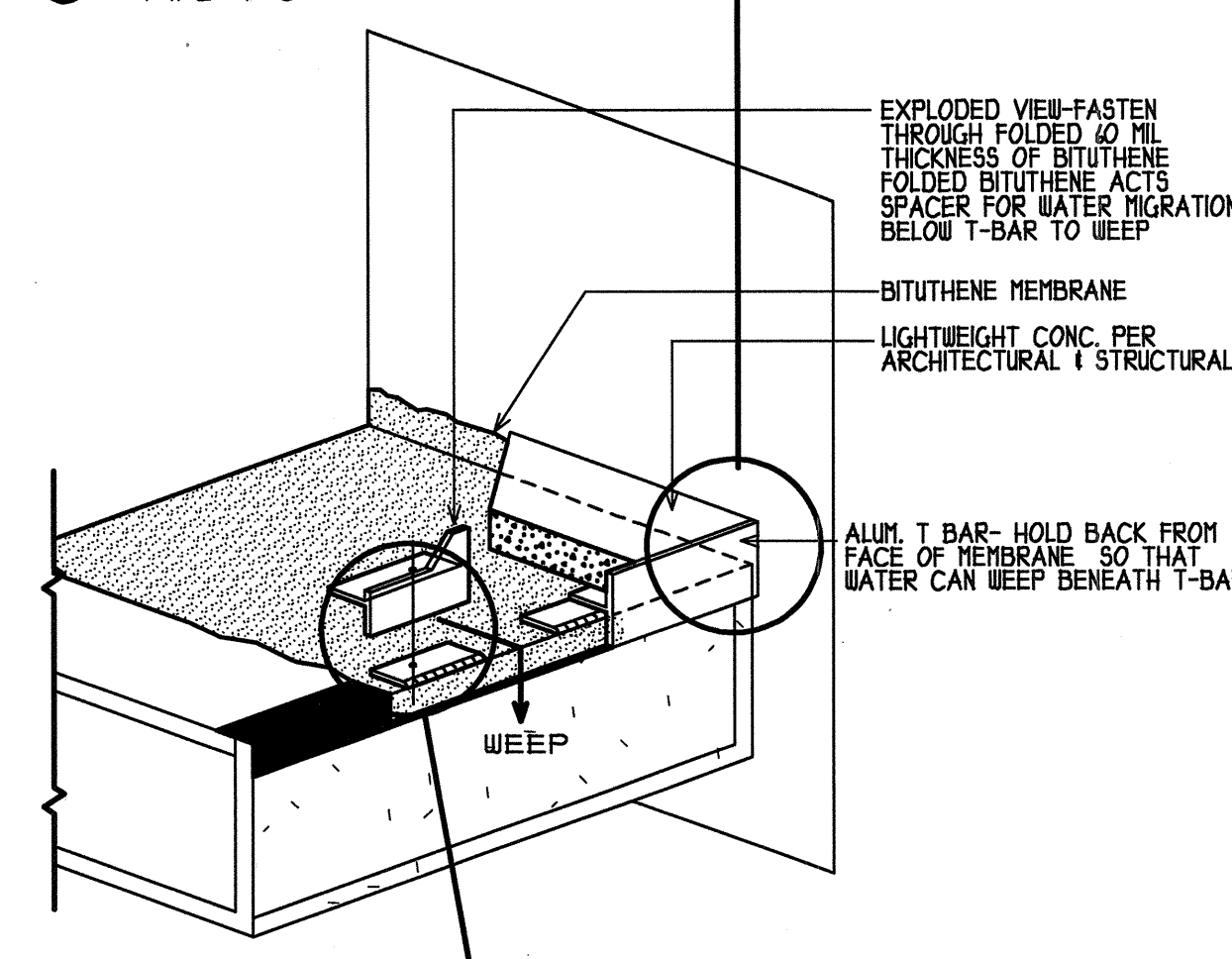
5 PITCH POCKETS

1 1/2"=1'-0"



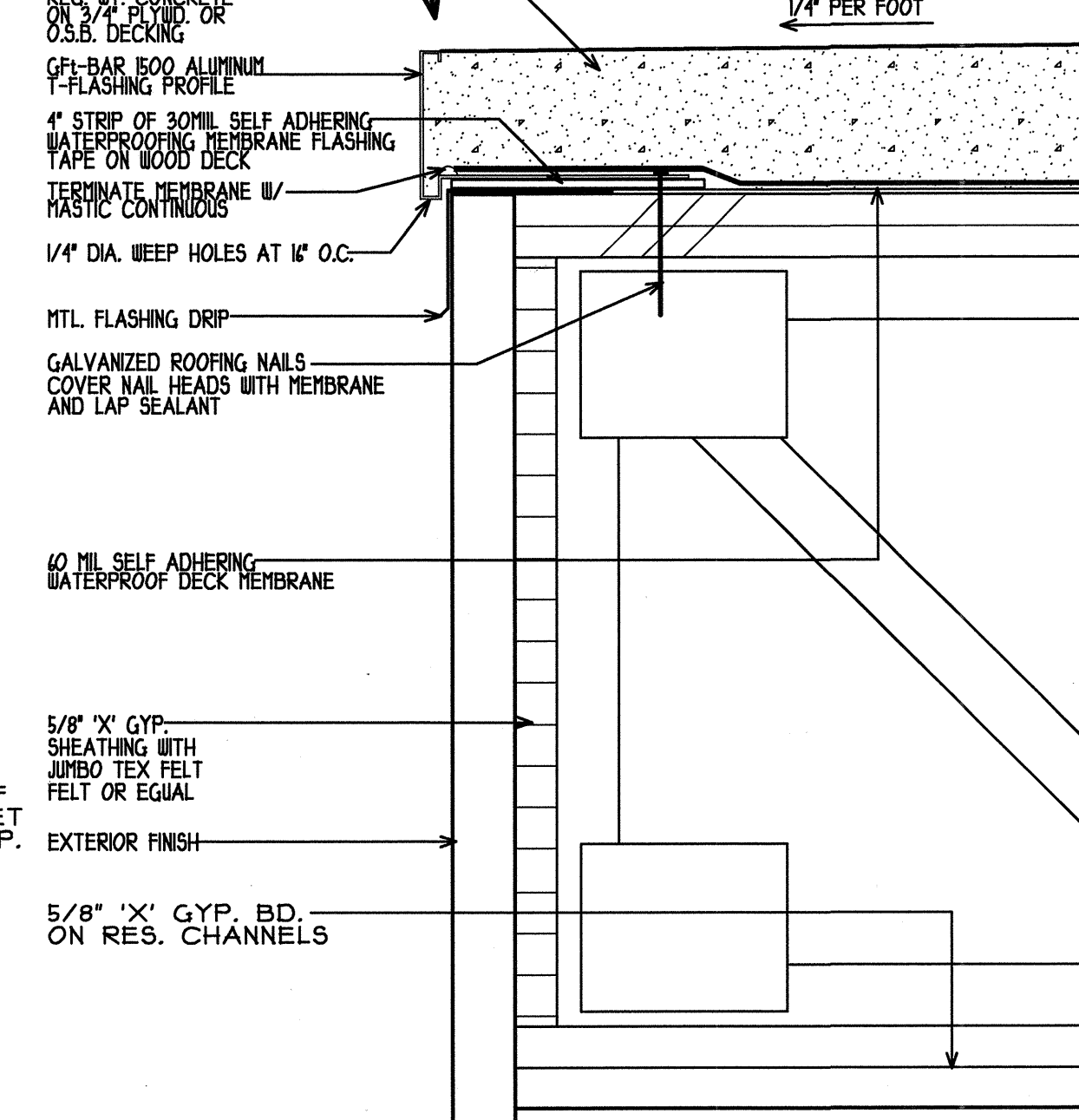
6 T-BAR TERMINATION POCKET

1 1/2"=1'-0"



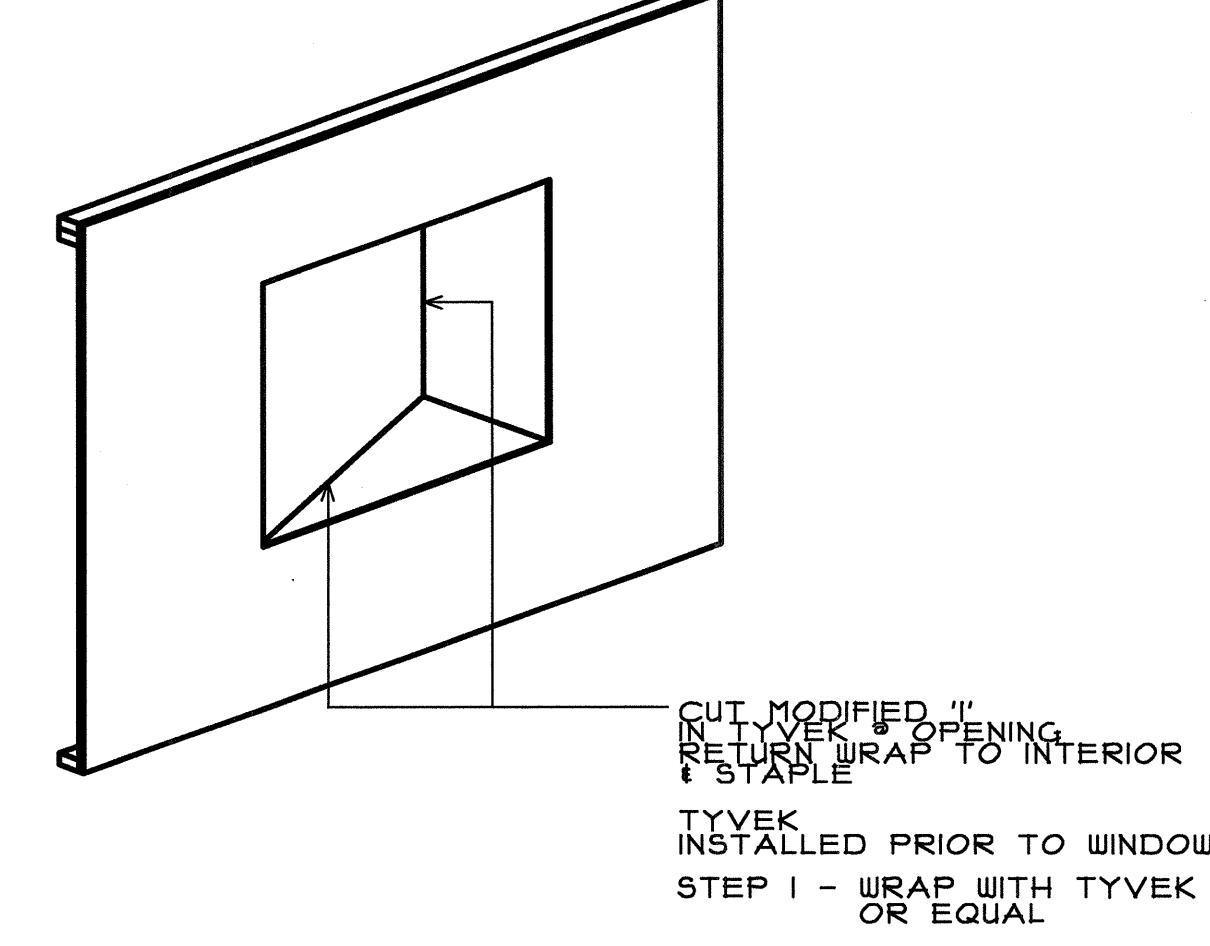
7 T-BAR INSTALLATION

3"=1'-0"



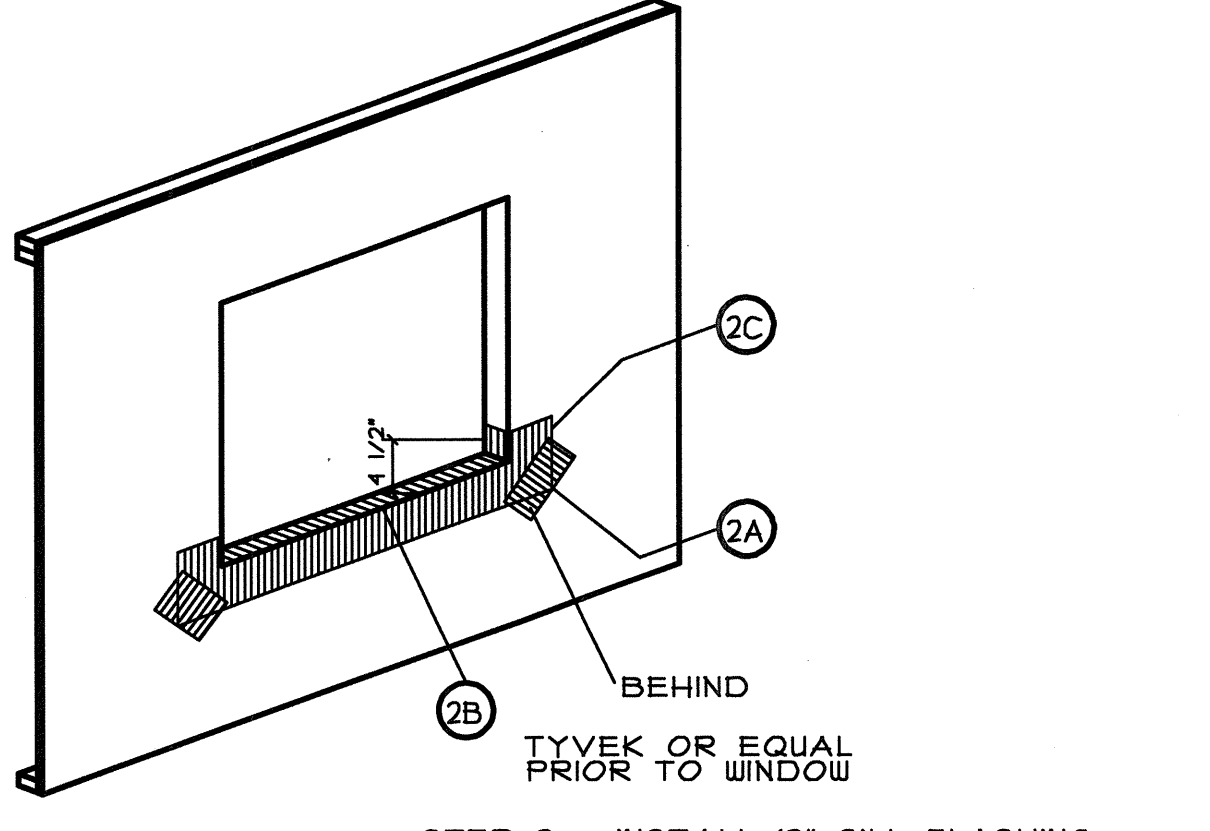
8 T-BAR "PAD" WEEP DETAIL

6"=1'-0"



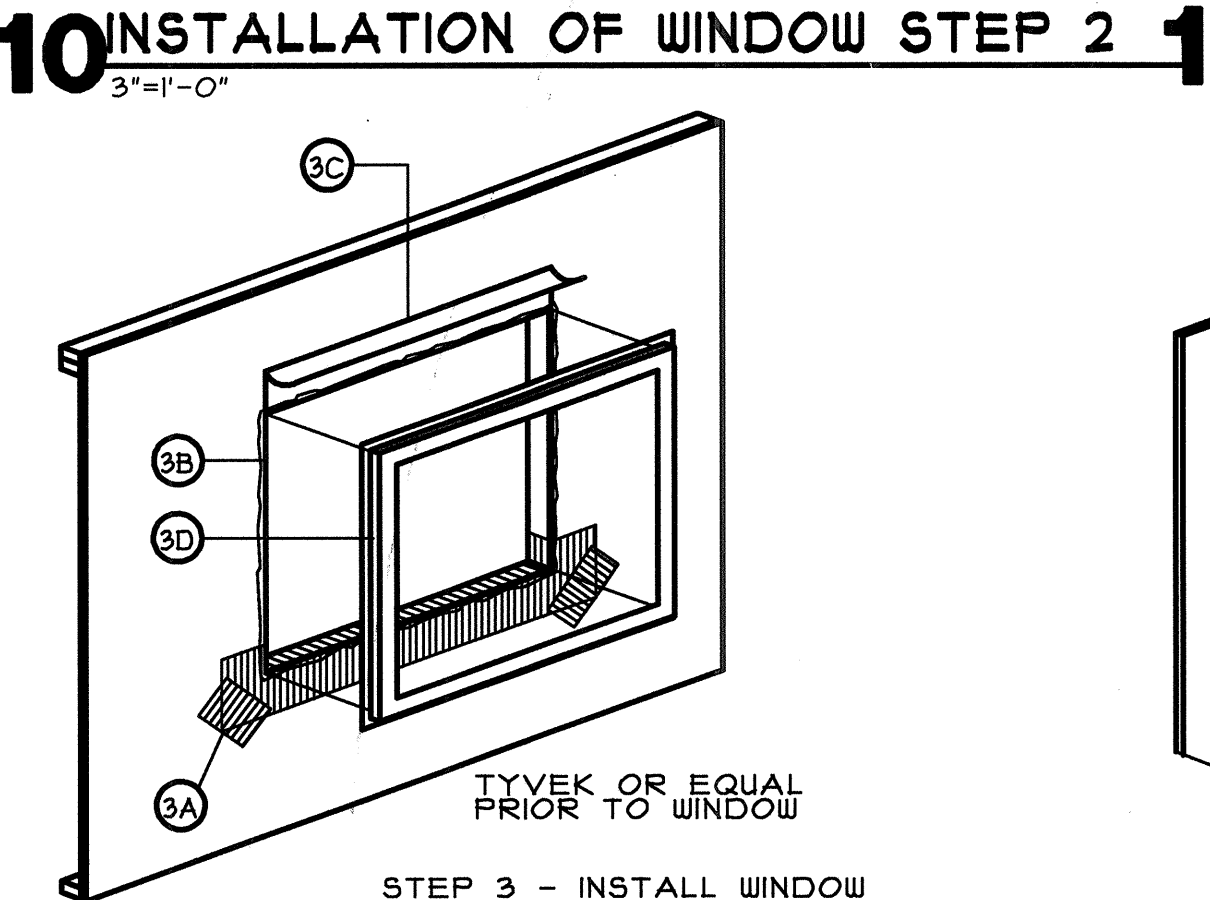
9 INSTALLATION OF WINDOW STEP 1

3"=1'-0"



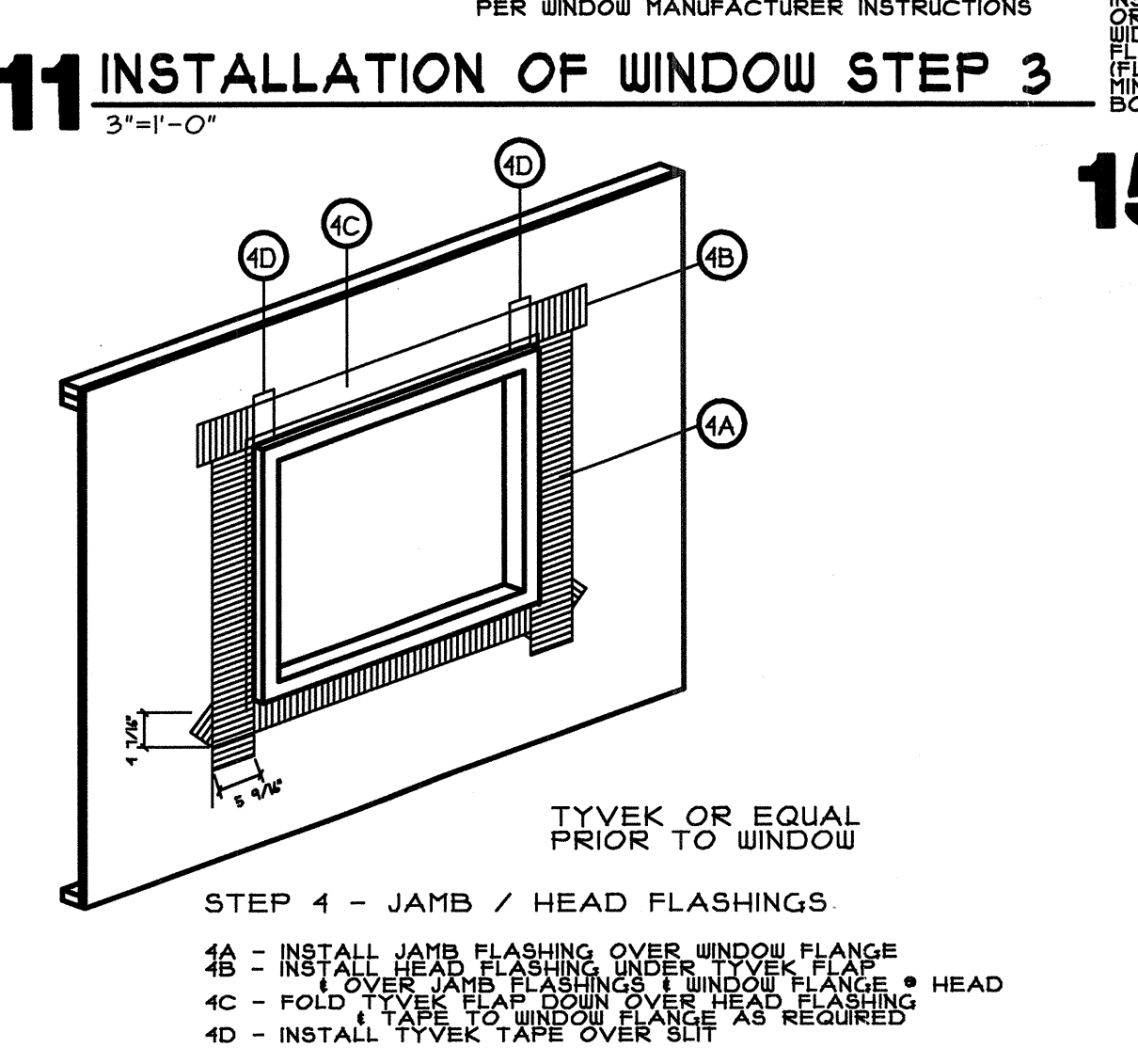
10 INSTALLATION OF WINDOW STEP 2

3"=1'-0"



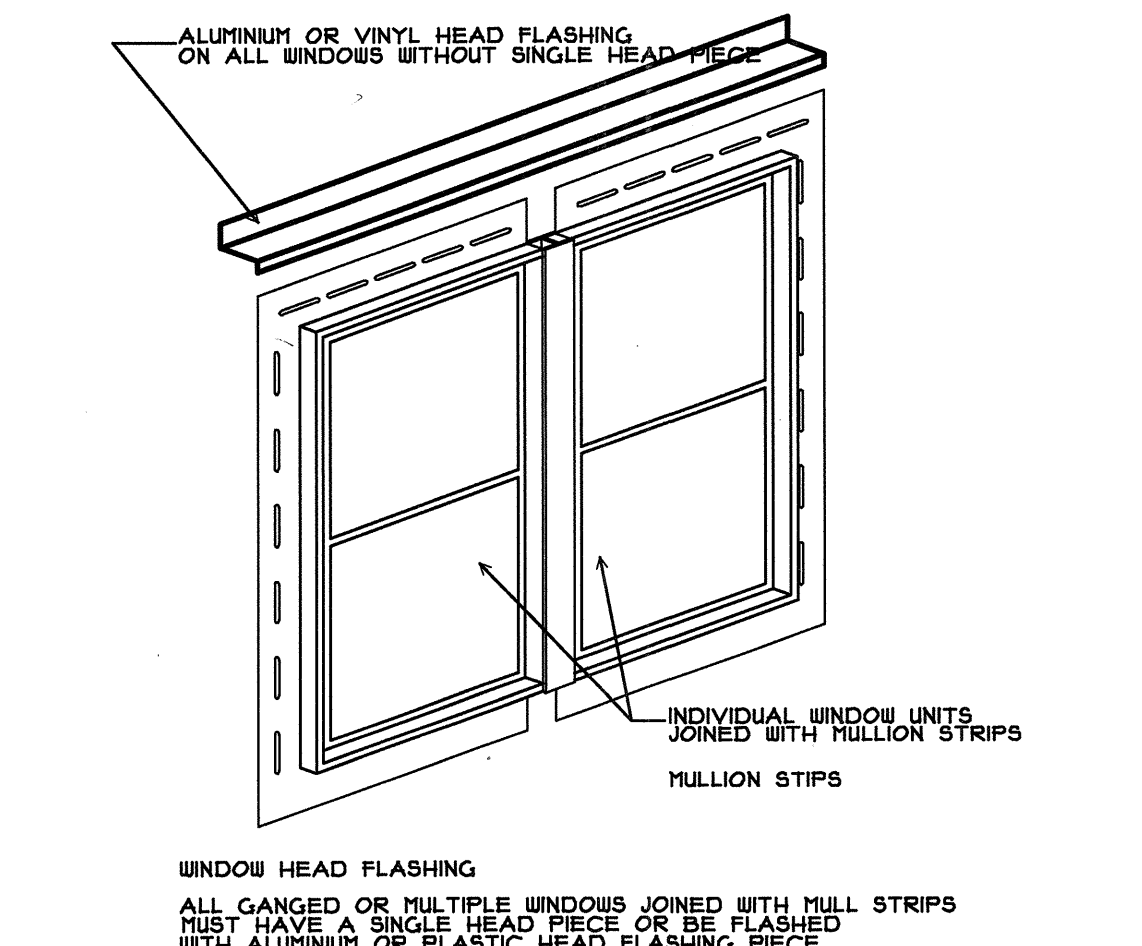
11 INSTALLATION OF WINDOW STEP 3

3"=1'-0"



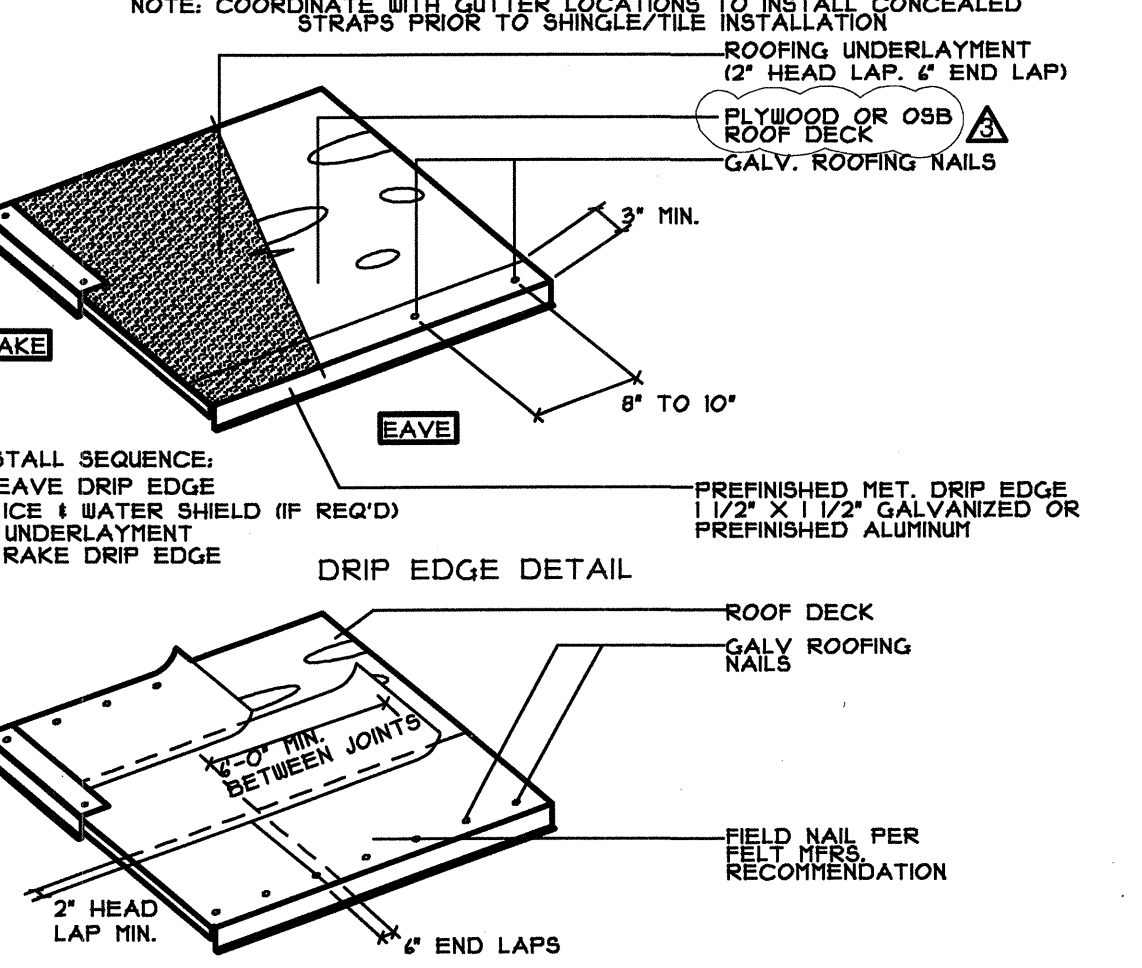
12 INSTALLATION OF WINDOW STEP 4

3/4"=1'-0"



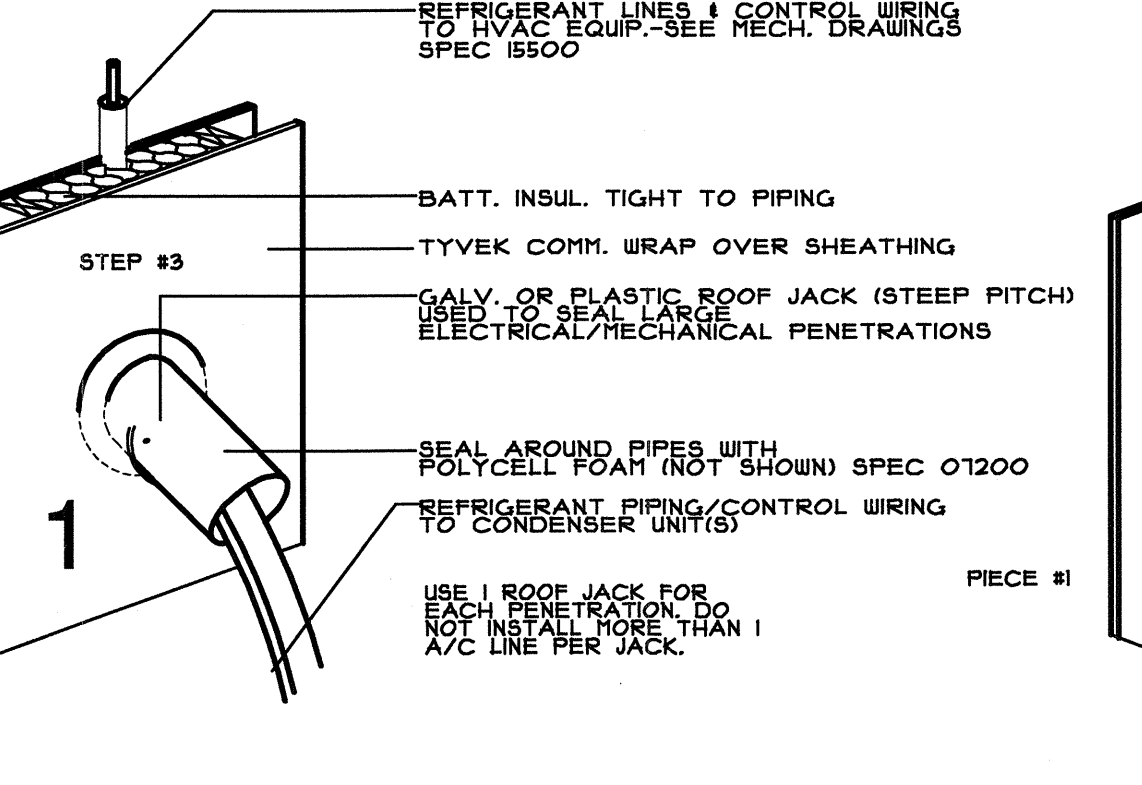
13 INSTALLATION OF WINDOW STEP 5

3"=1'-0"



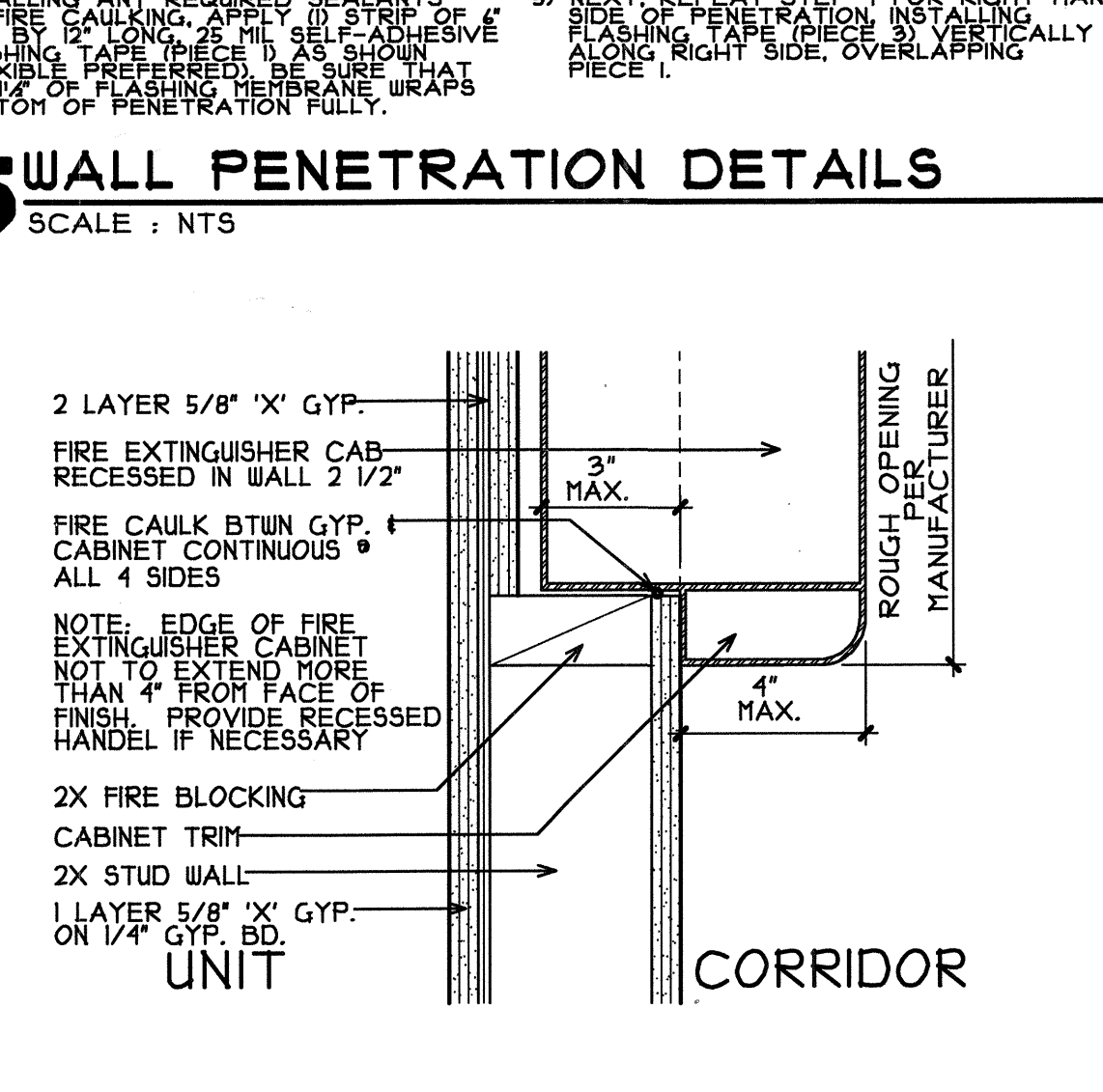
14 UNDERLAYMENT APPLICATION

3"=1'-0"



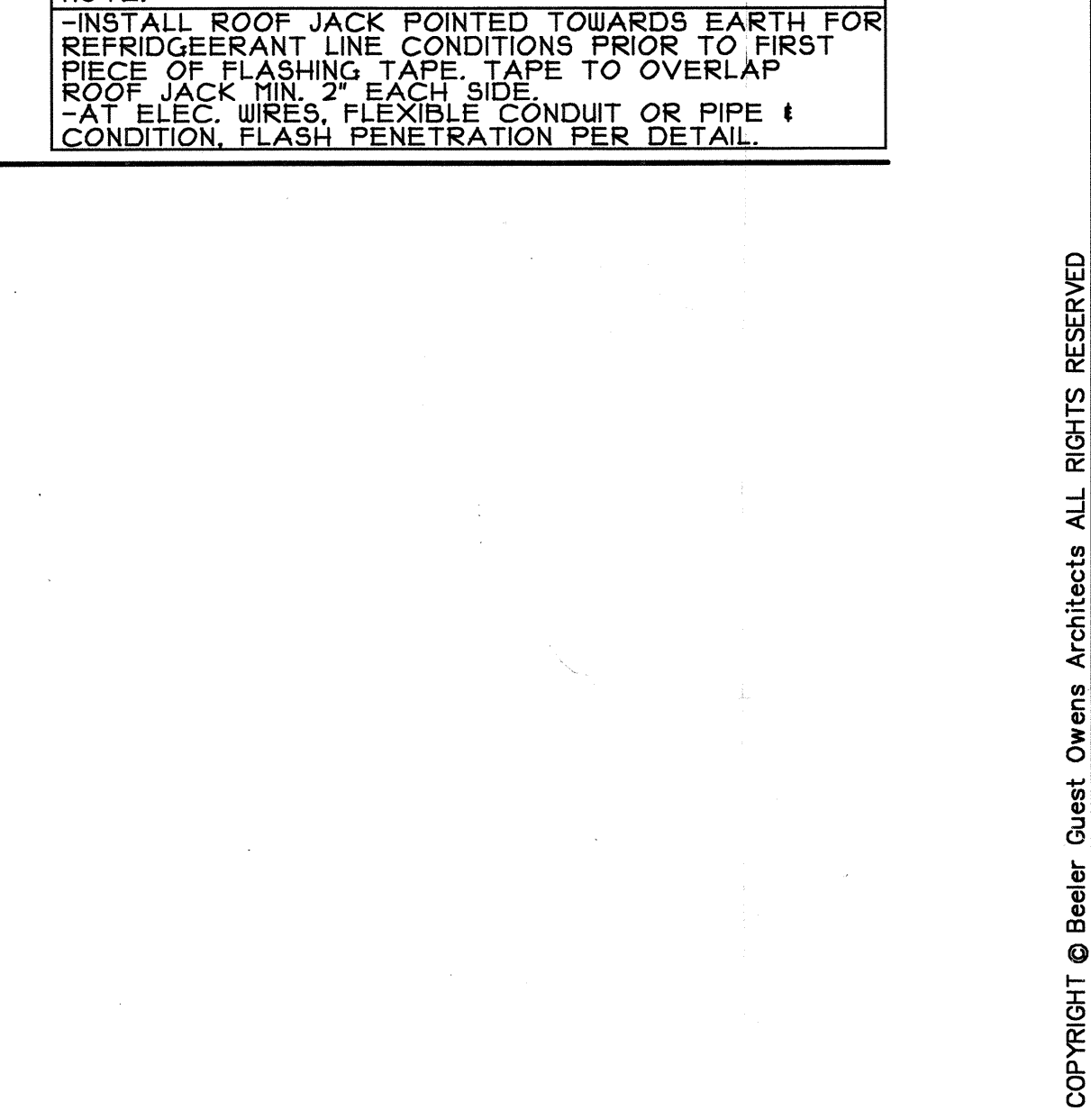
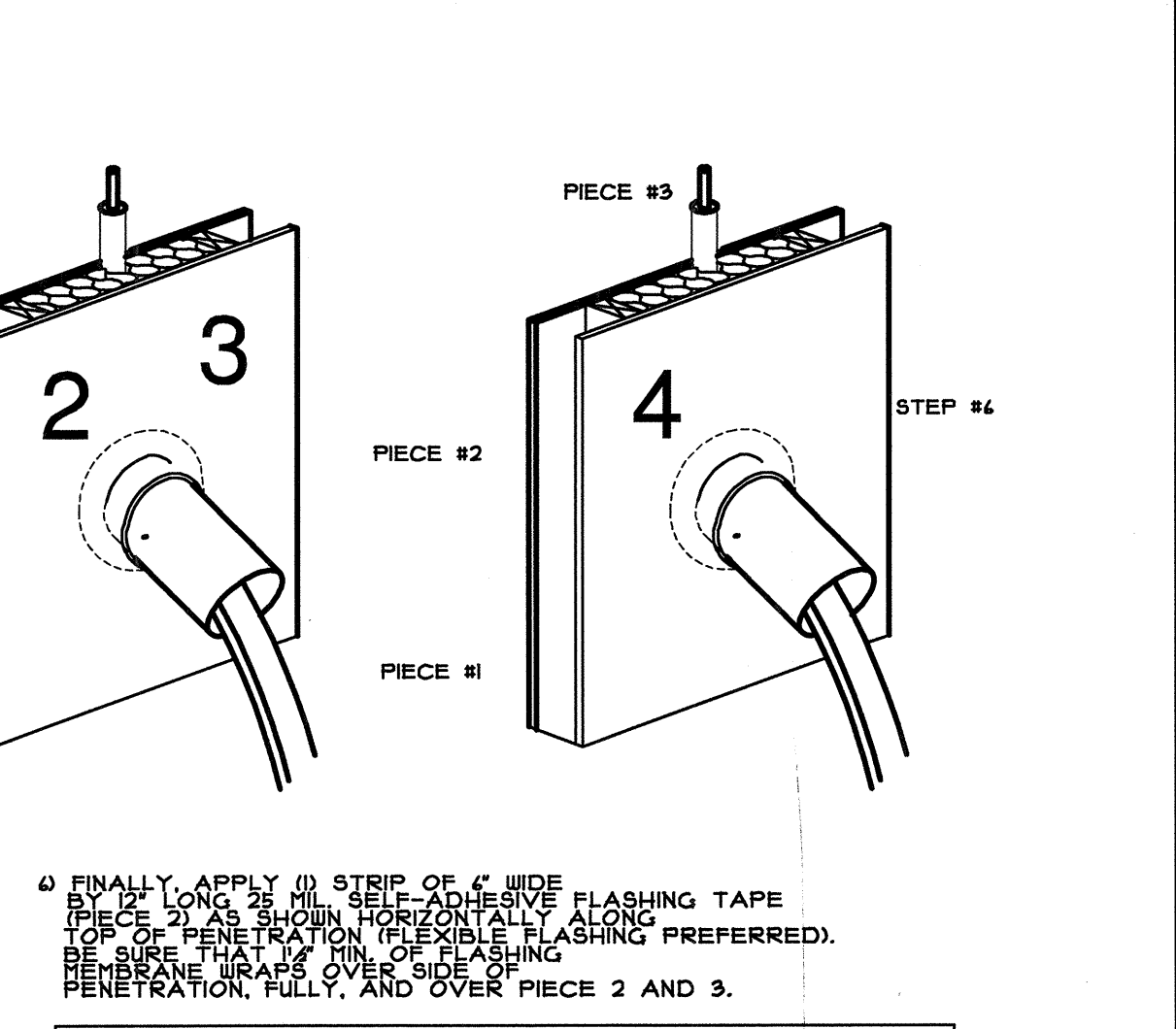
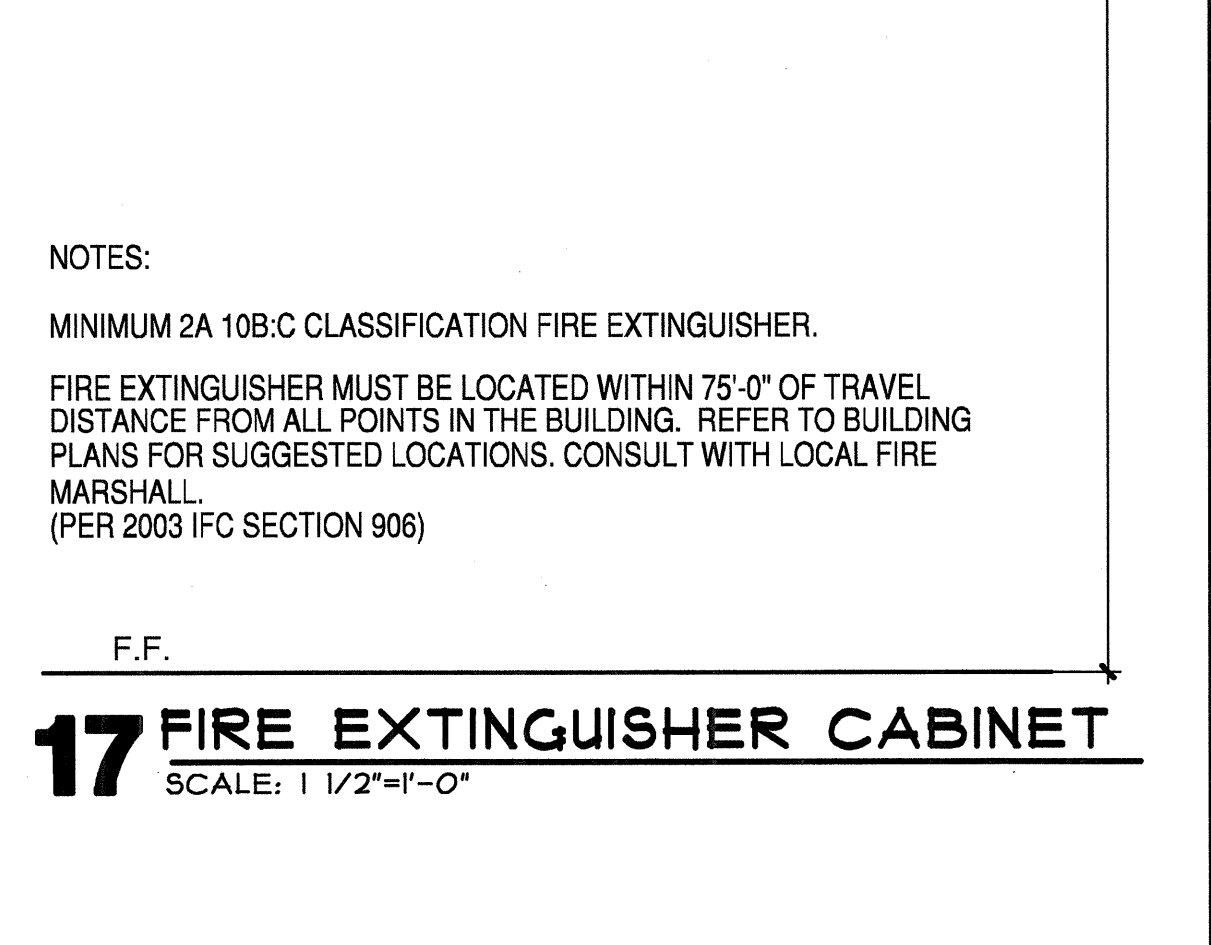
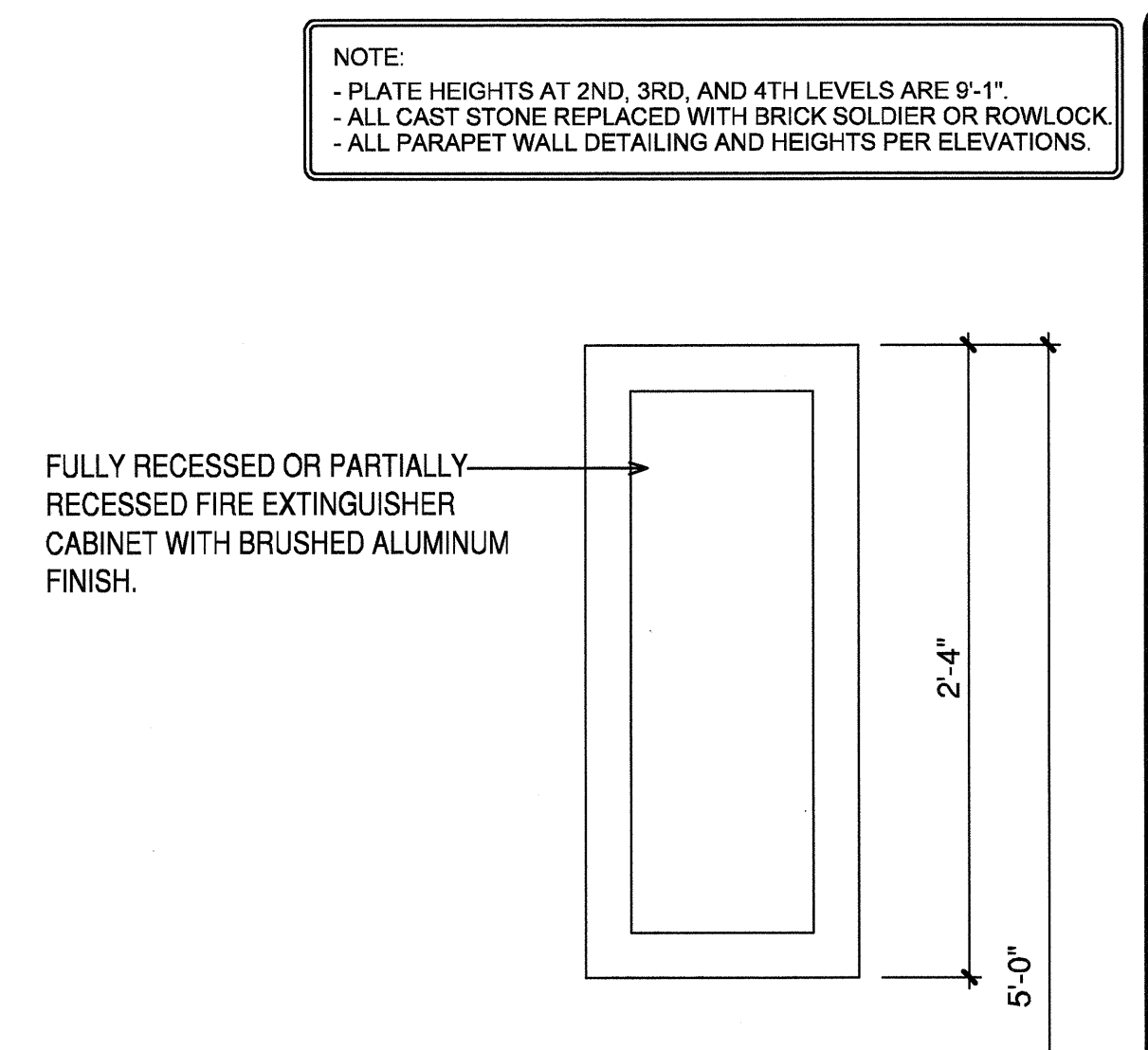
15 WALL PENETRATION DETAILS

SCALE : NTS



16 FIRE EXTINGUISHER CABINET

SCALE: 1 1/2"=1'-0"



REVISIONS

COORDINATION	10-17-2011

KELLER SPRINGS LOFTS

LOFT APARTMENTS IN ADDISON, TEXAS

CONSTRUCTION ISSUE

10-17-2011

BGO architects

4144 N. Central Exp.
Suite 855
Dallas, TX 75204
214.520.8878
bgoarchitects.com

DATE

08-05-2011

PROJECT

11129

SHEET NUMBER

8.1

DETAILS

COPYRIGHT © Beeler Owens Architects All Rights Reserved