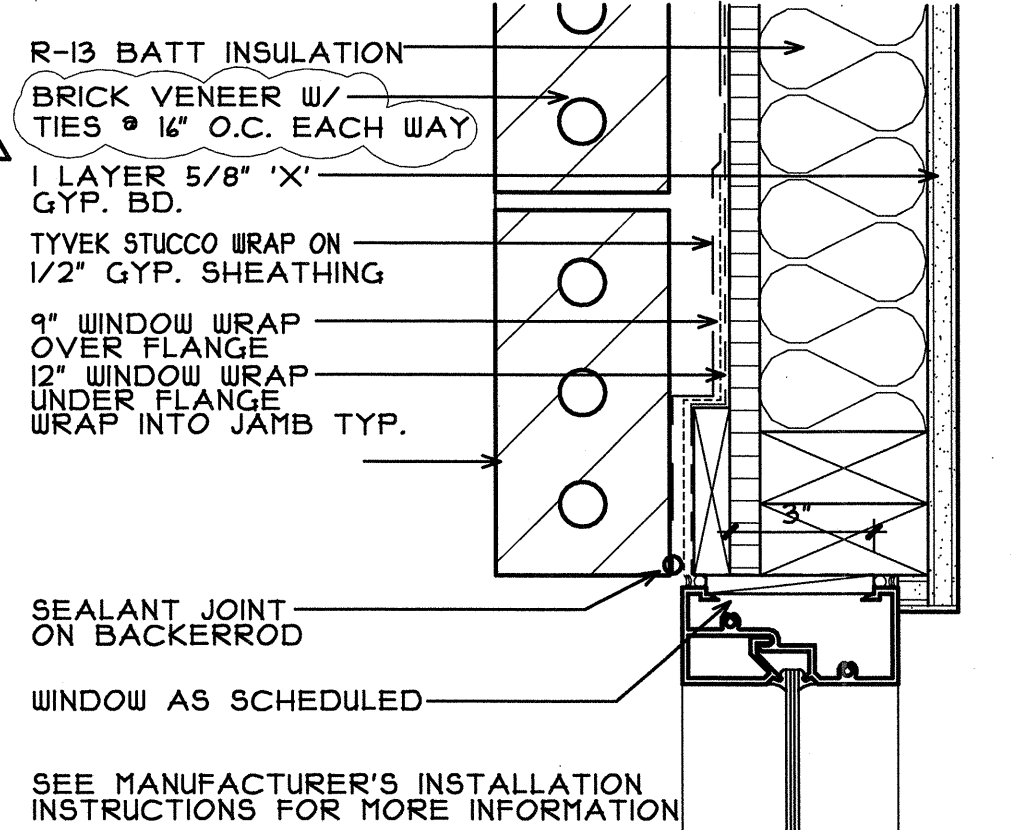
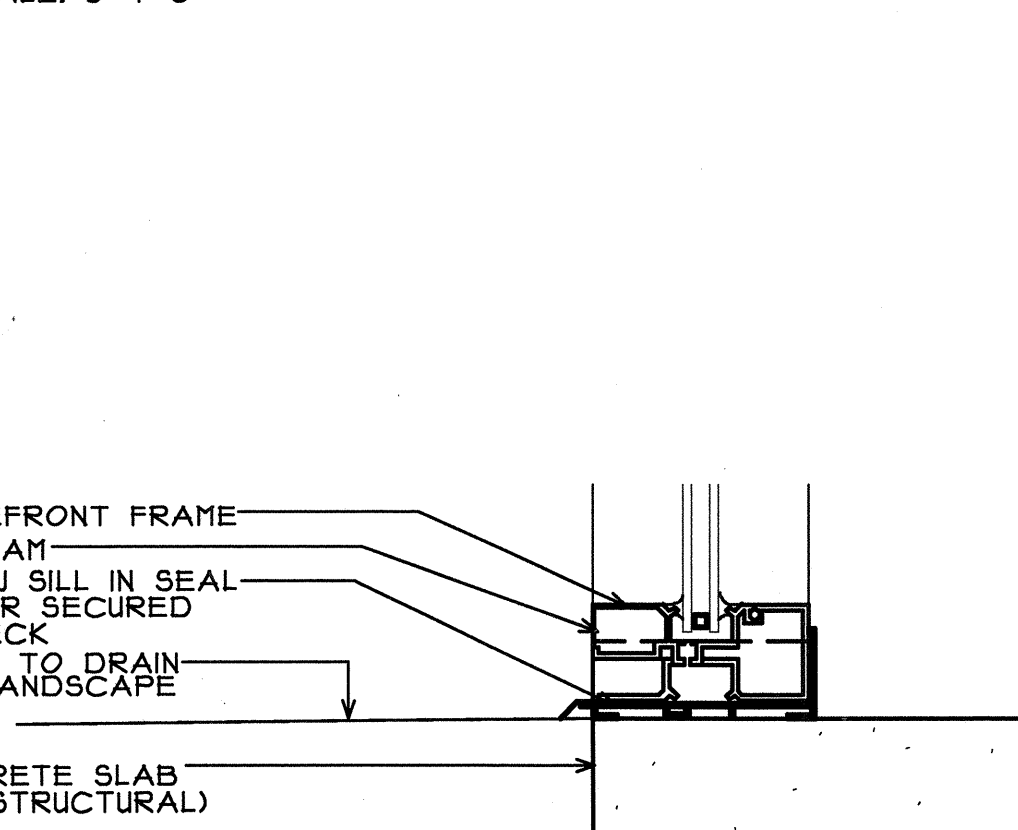


1 STOREFRONT WINDOW HEAD • BRICK
SCALE: 3/4"=1'-0"



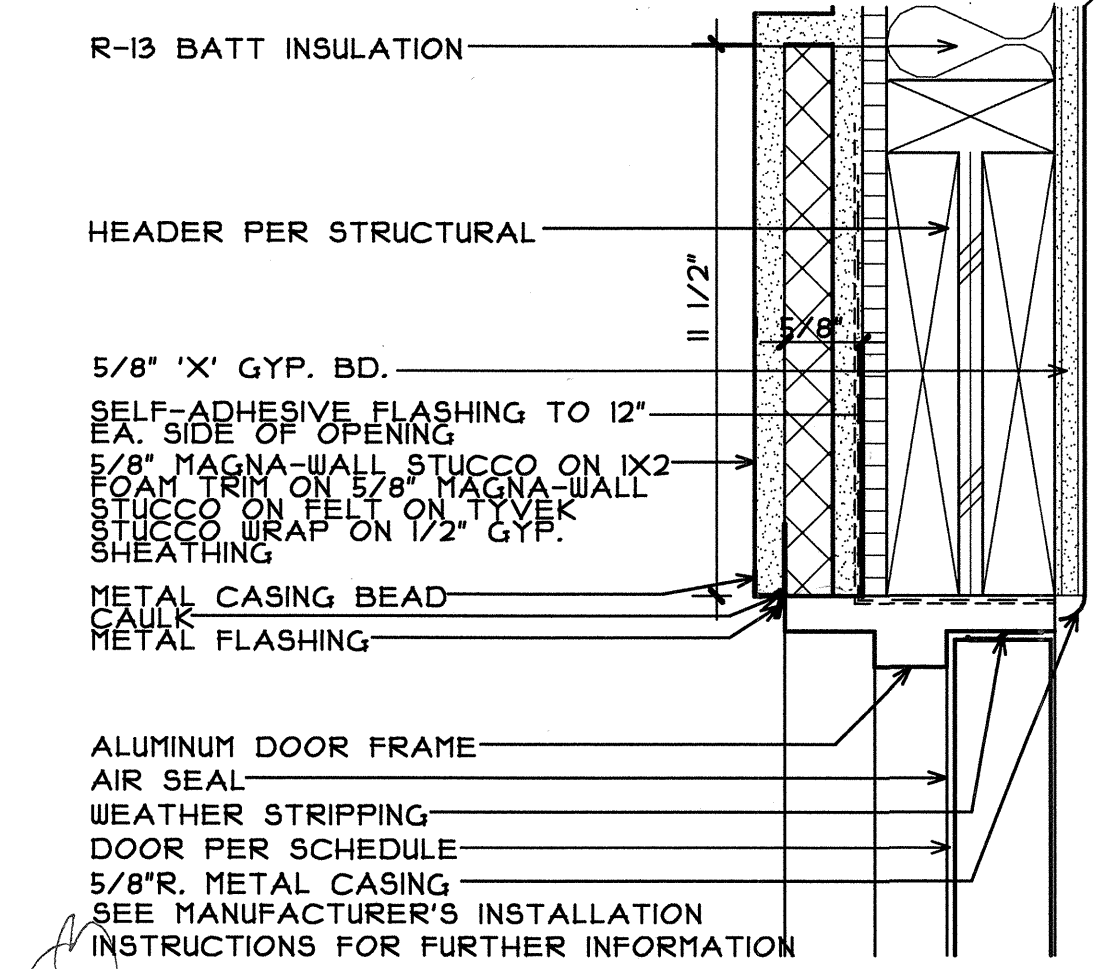
2 STOREFRONT WINDOW JAMB • BRICK
SCALE: 3/4"=1'-0"



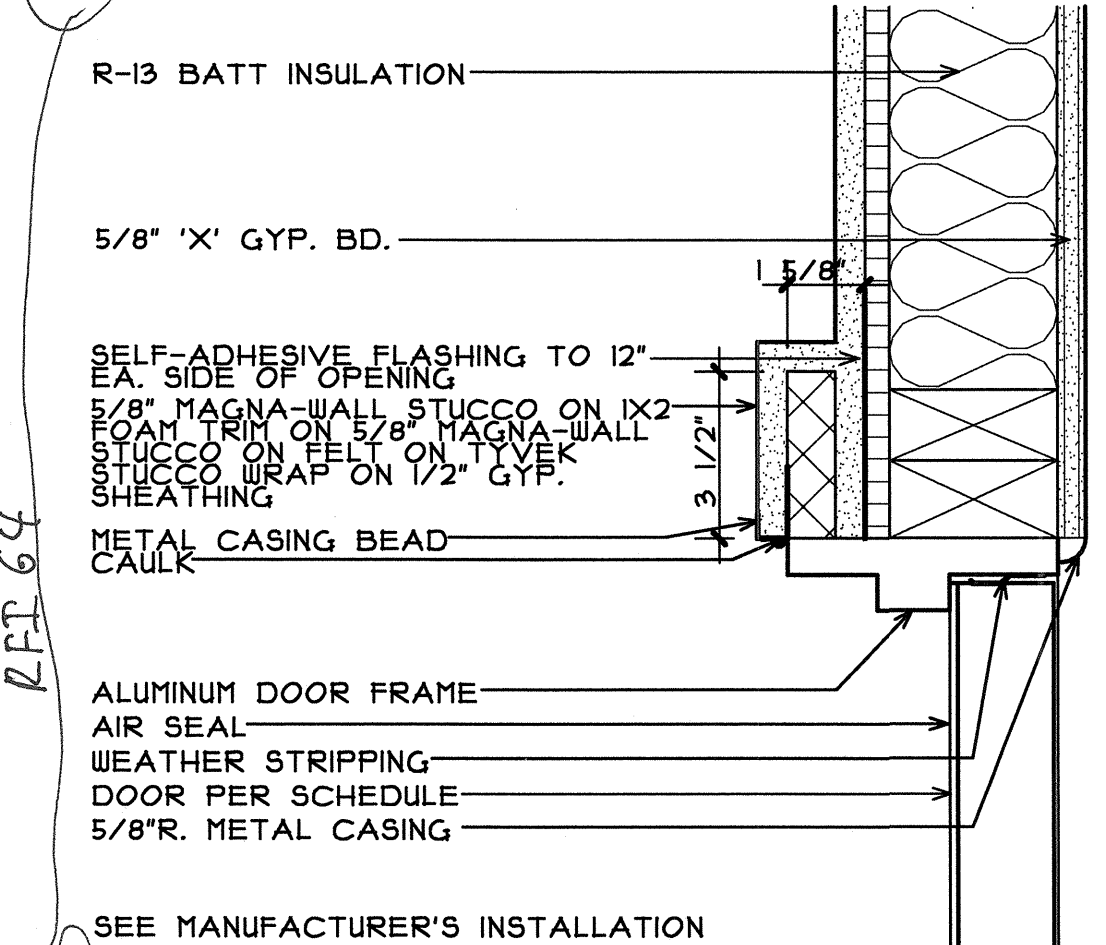
3 STOREFRONT WINDOW SILL • SLAB
SCALE: 3/4"=1'-0"



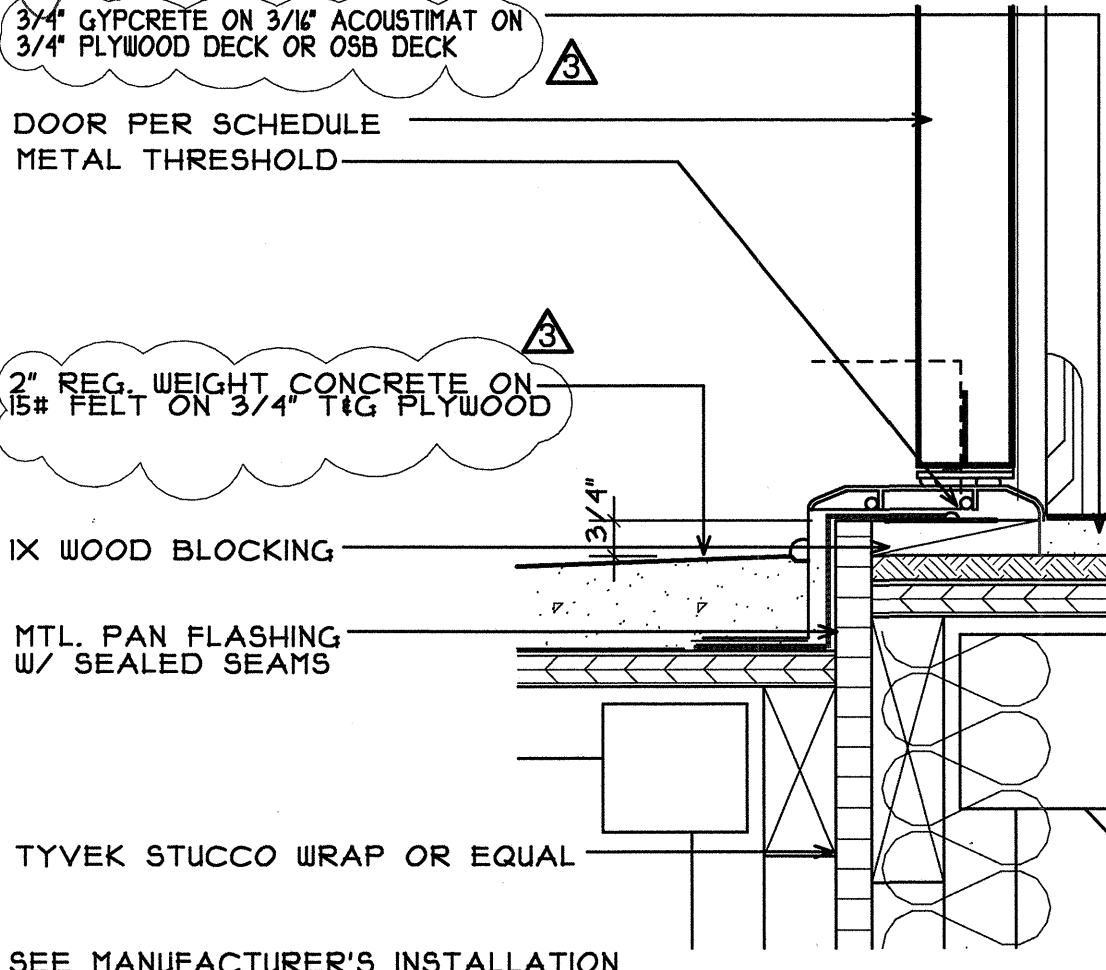
8 DOOR SILL • STUCCO
SCALE: 3/4"=1'-0"



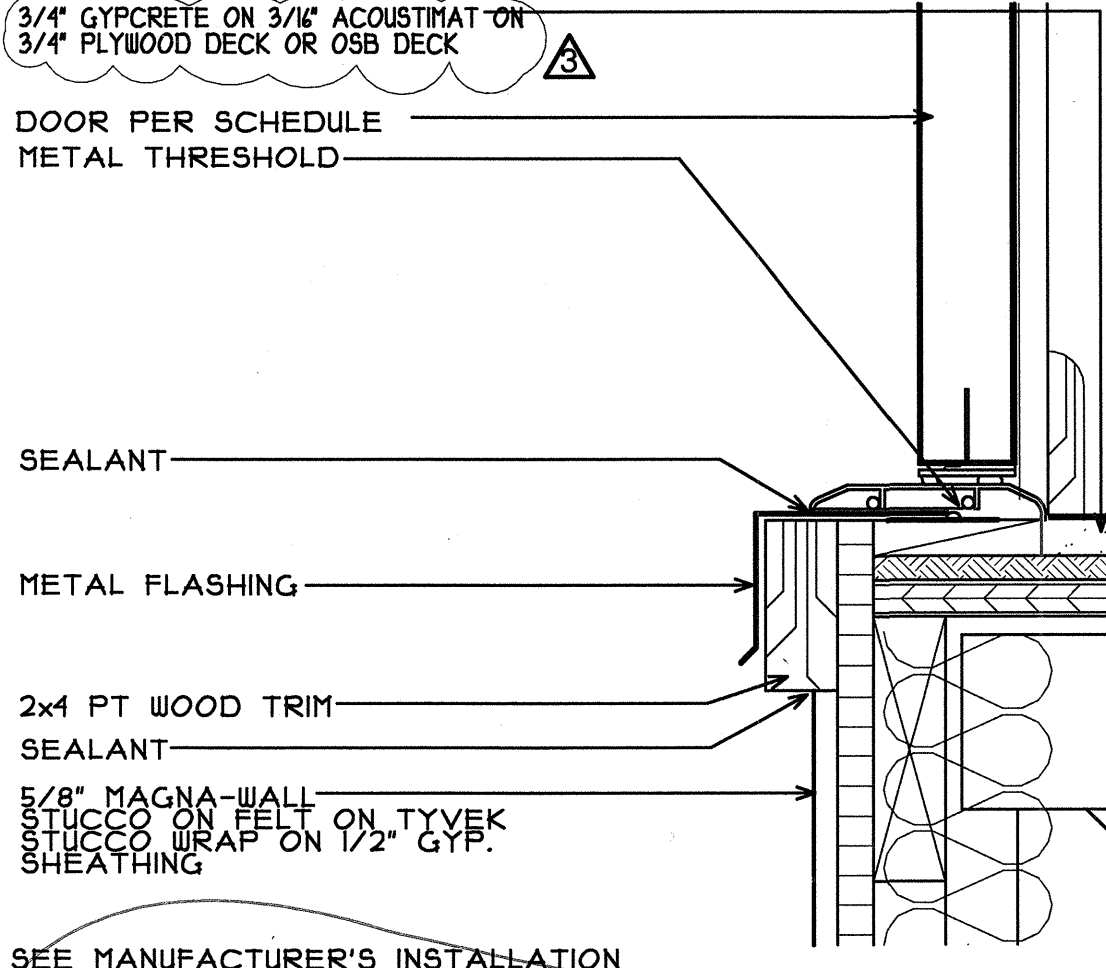
5 DOOR HEAD • STUCCO
SCALE: 3/4"=1'-0"



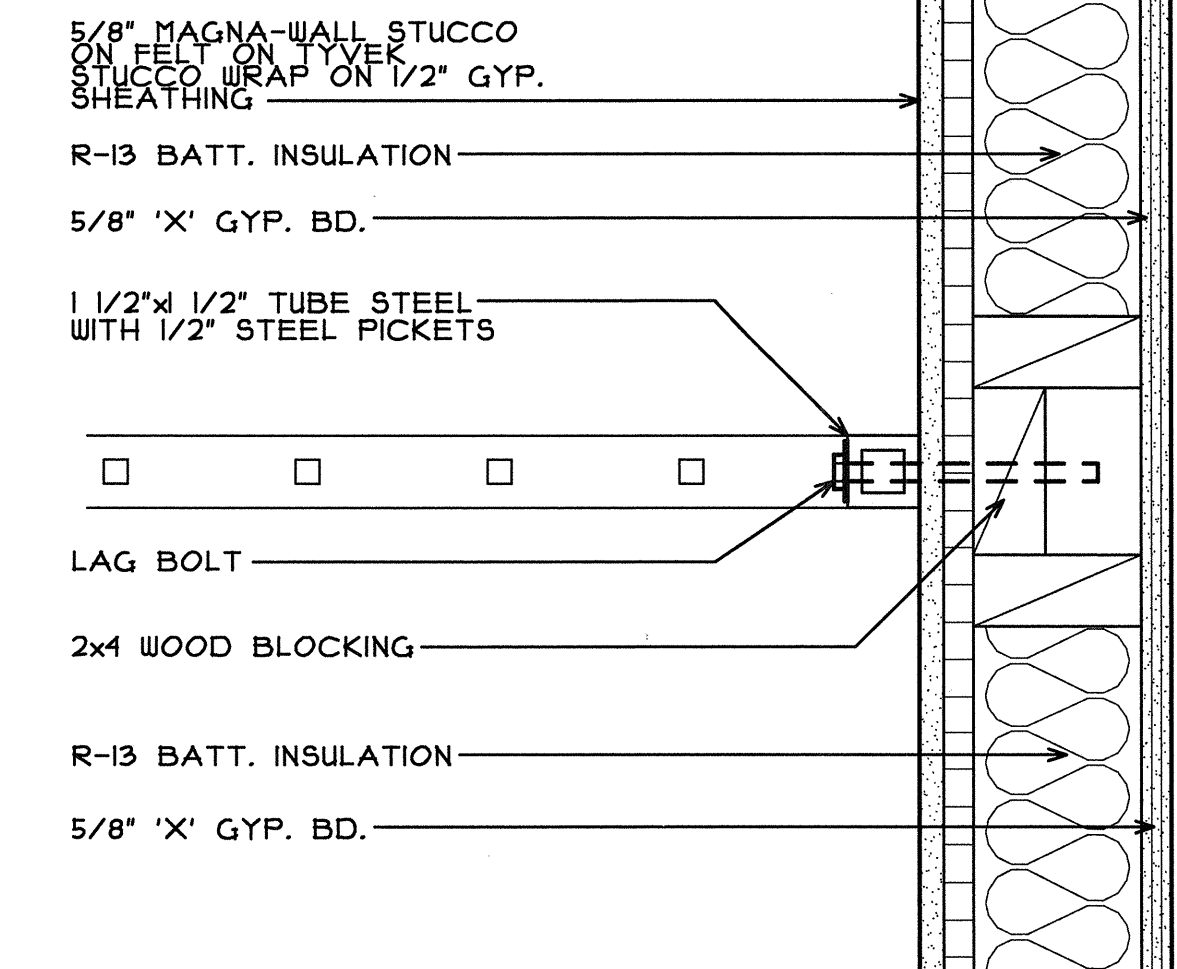
6 DOOR JAMB • STUCCO
SCALE: 3/4"=1'-0"



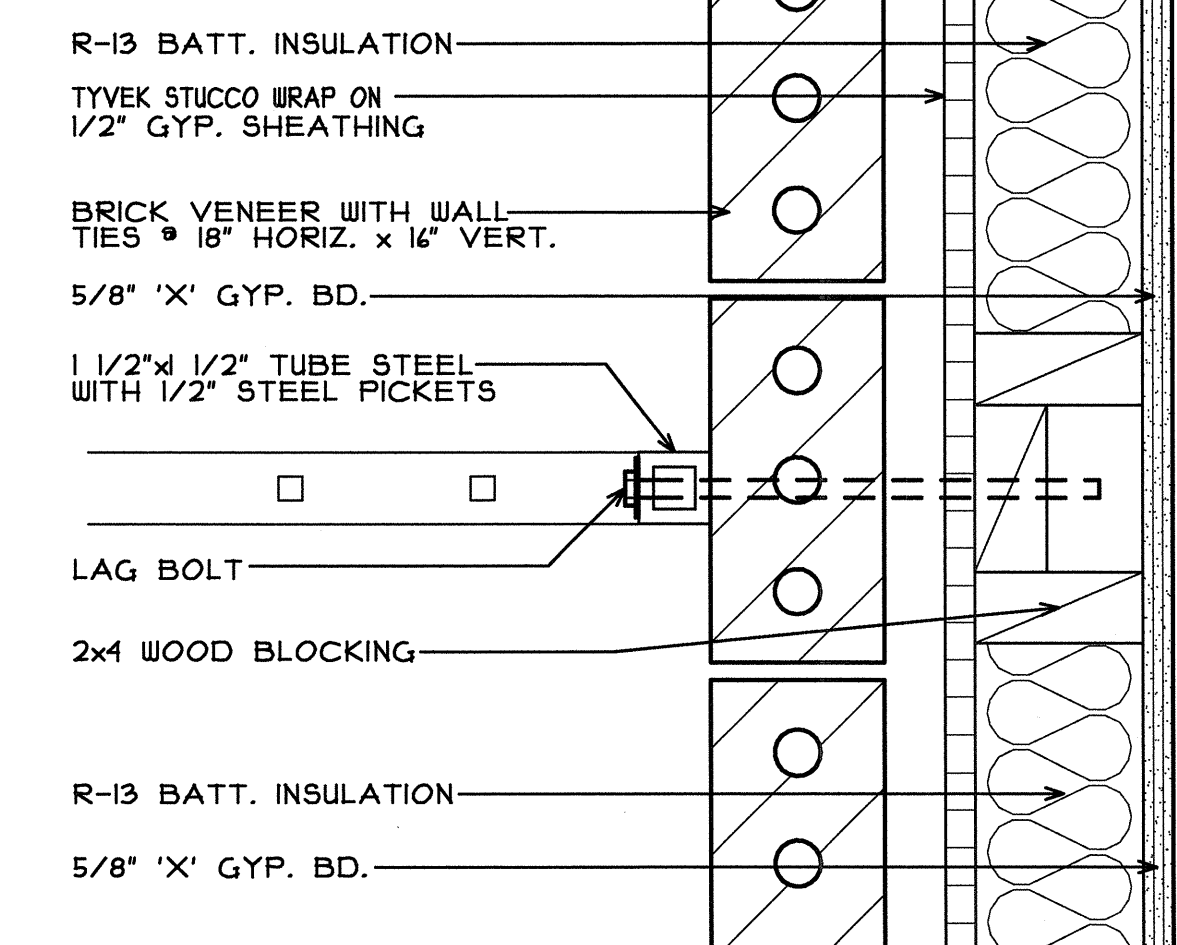
7 BALCONY DOOR SILL • STUCCO
SCALE: 3/4"=1'-0"



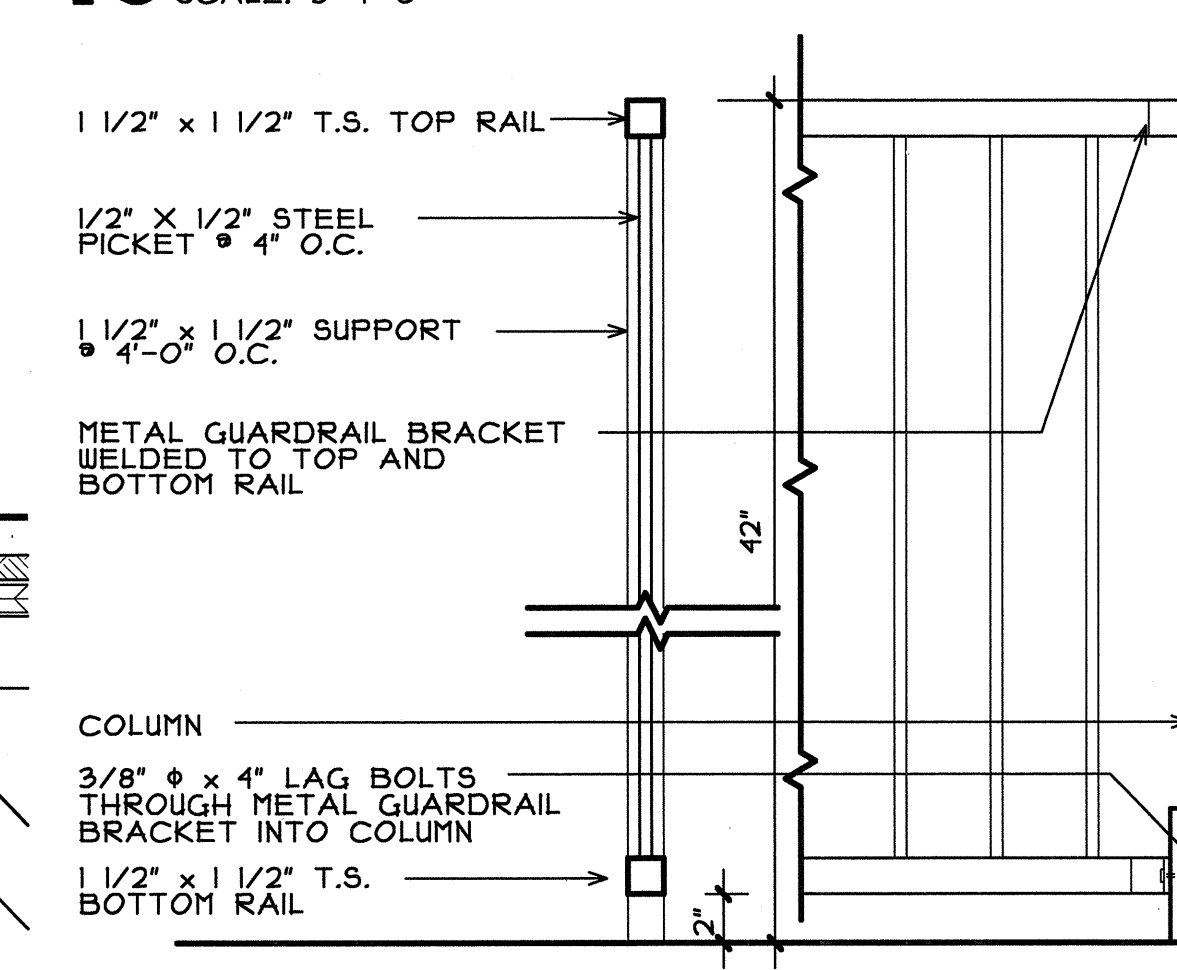
8 DOOR SILL • STUCCO
SCALE: 3/4"=1'-0"



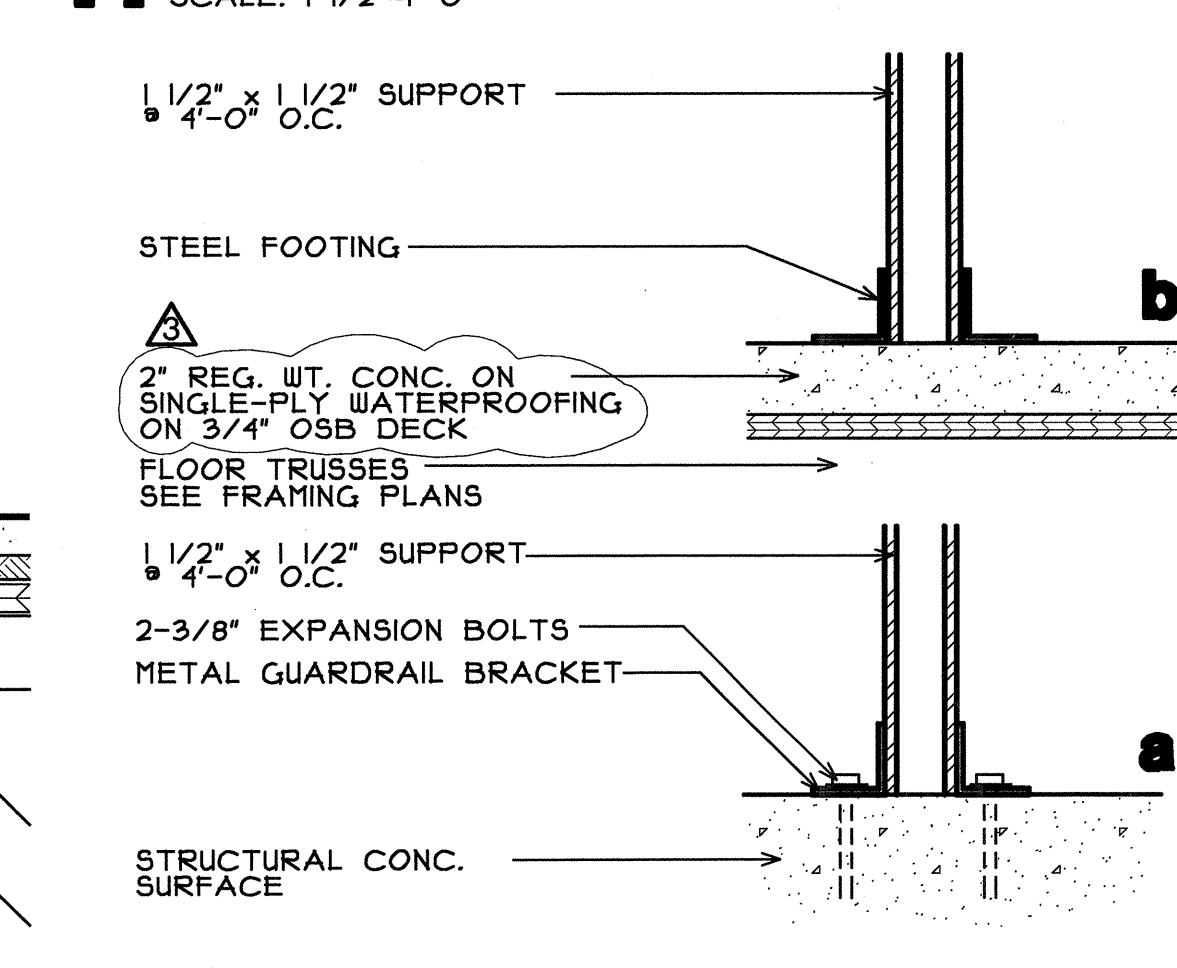
9 METAL RAILING • STUCCO WALL
SCALE: 3/4"=1'-0"



10 METAL RAILING • STUCCO WALL
SCALE: 3/4"=1'-0"



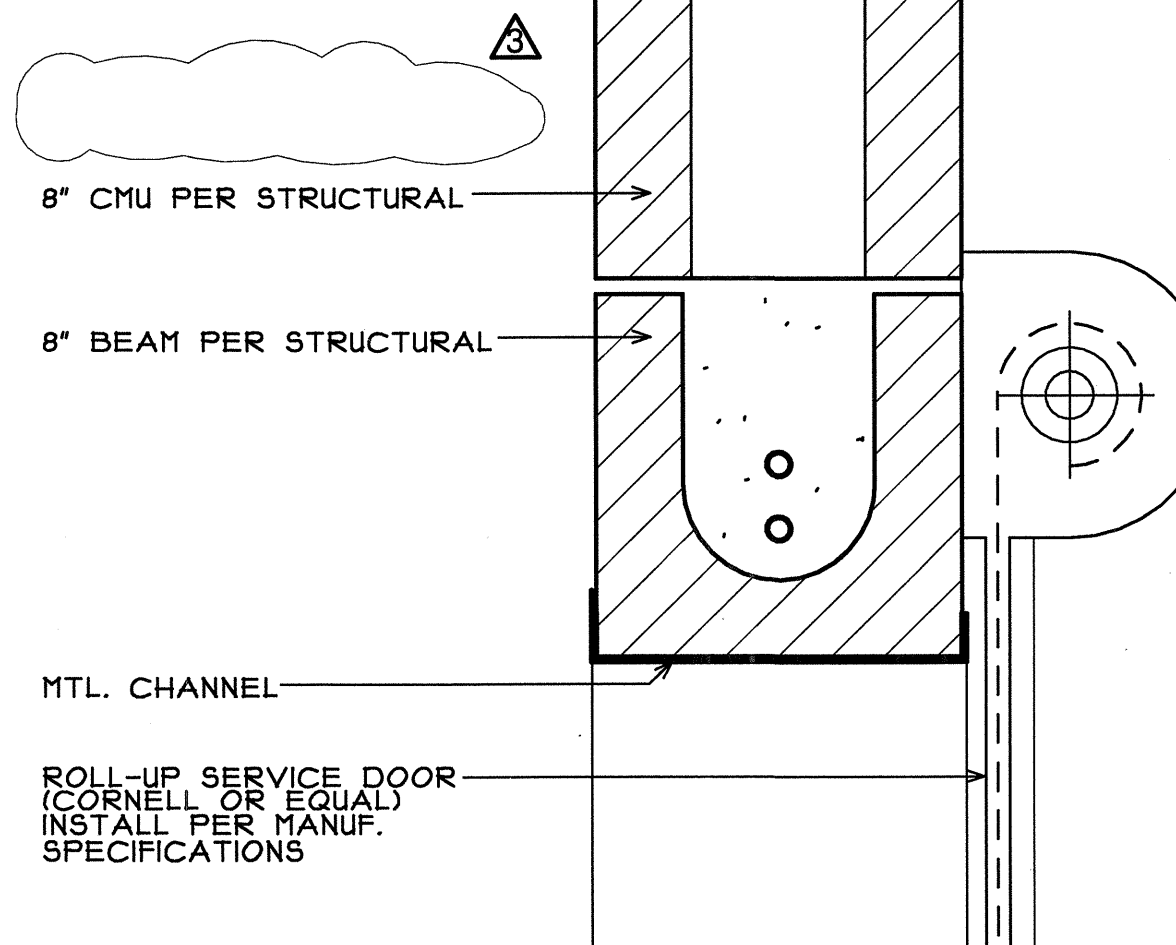
11 BALCONY RAIL DETAIL
SCALE: 1/2"=1'-0"



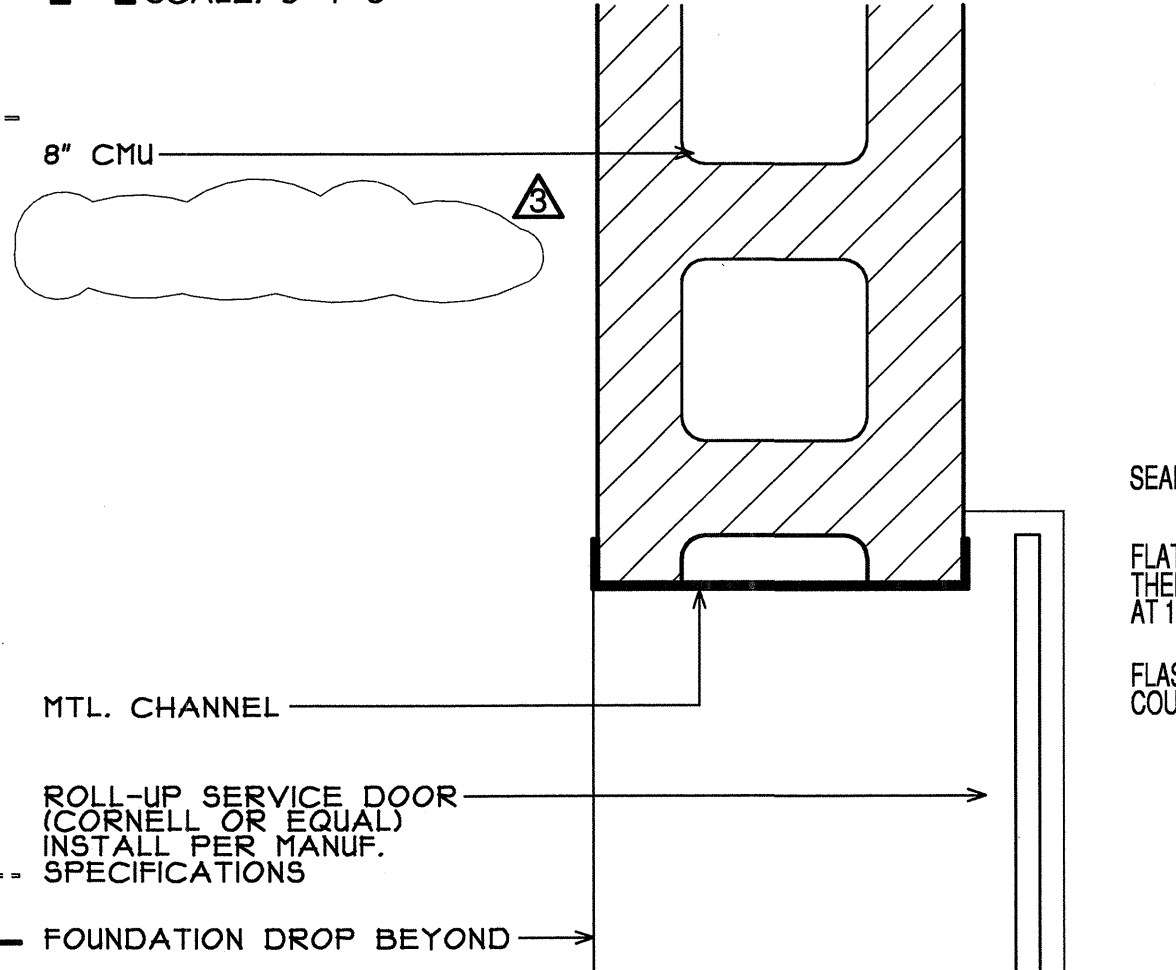
12 GUARDRAIL SUPPORT DETAIL
SCALE: 3/4"=1'-0"



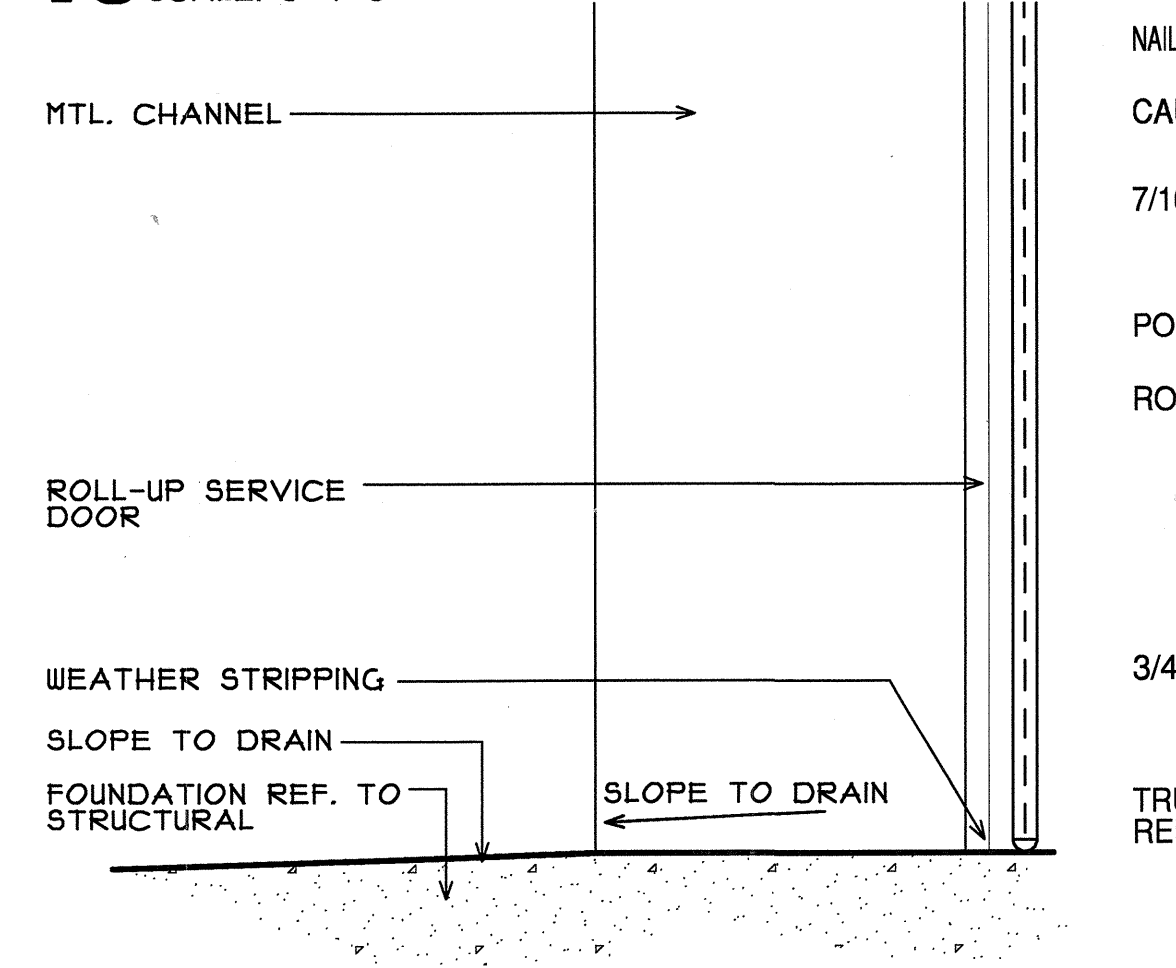
14 SERVICE DOOR HEAD • CMU/GARAGE
SCALE: 3/4"=1'-0"



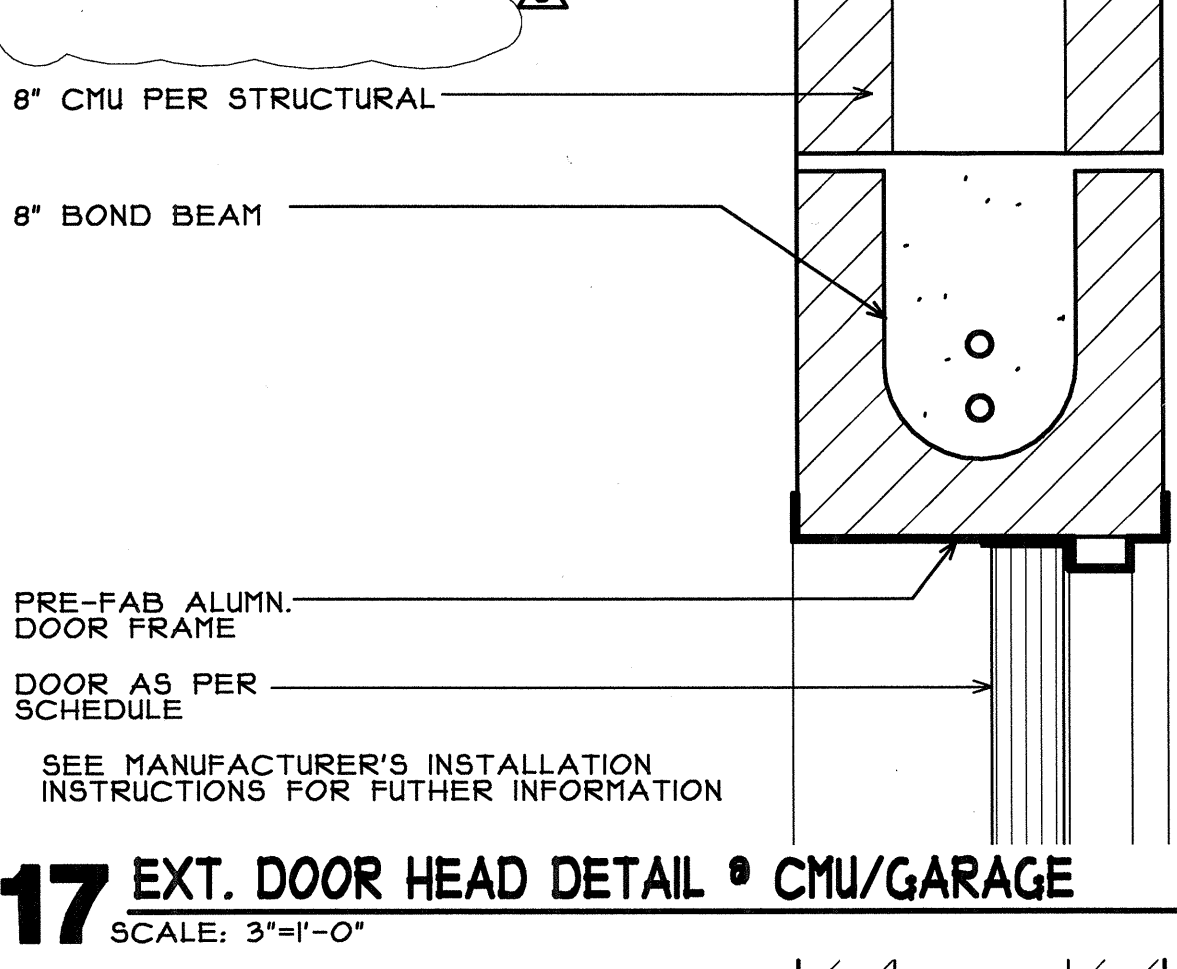
15 SERVICE DOOR JAMB • CMU/GARAGE
SCALE: 3/4"=1'-0"



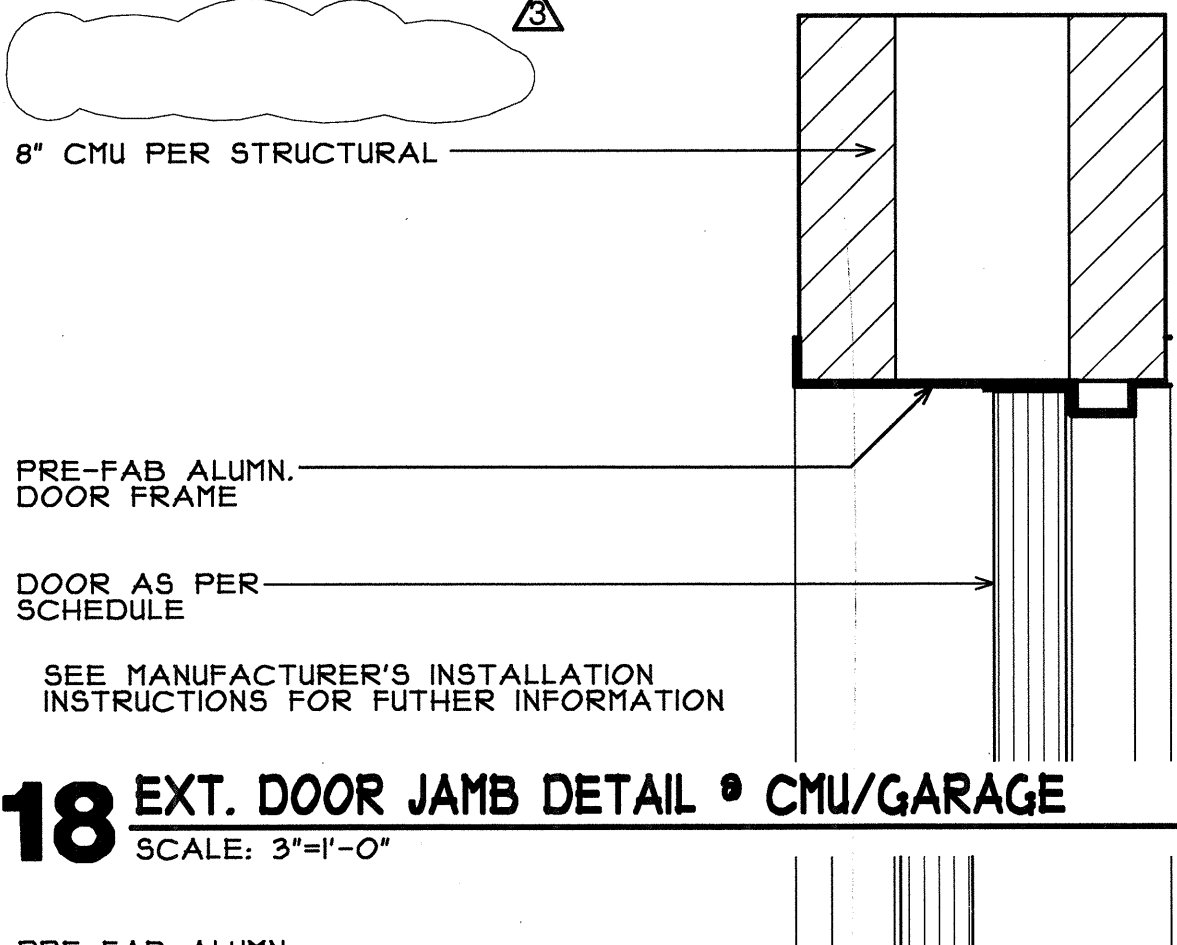
15 SERVICE DOOR JAMB • CMU/GARAGE
SCALE: 3/4"=1'-0"



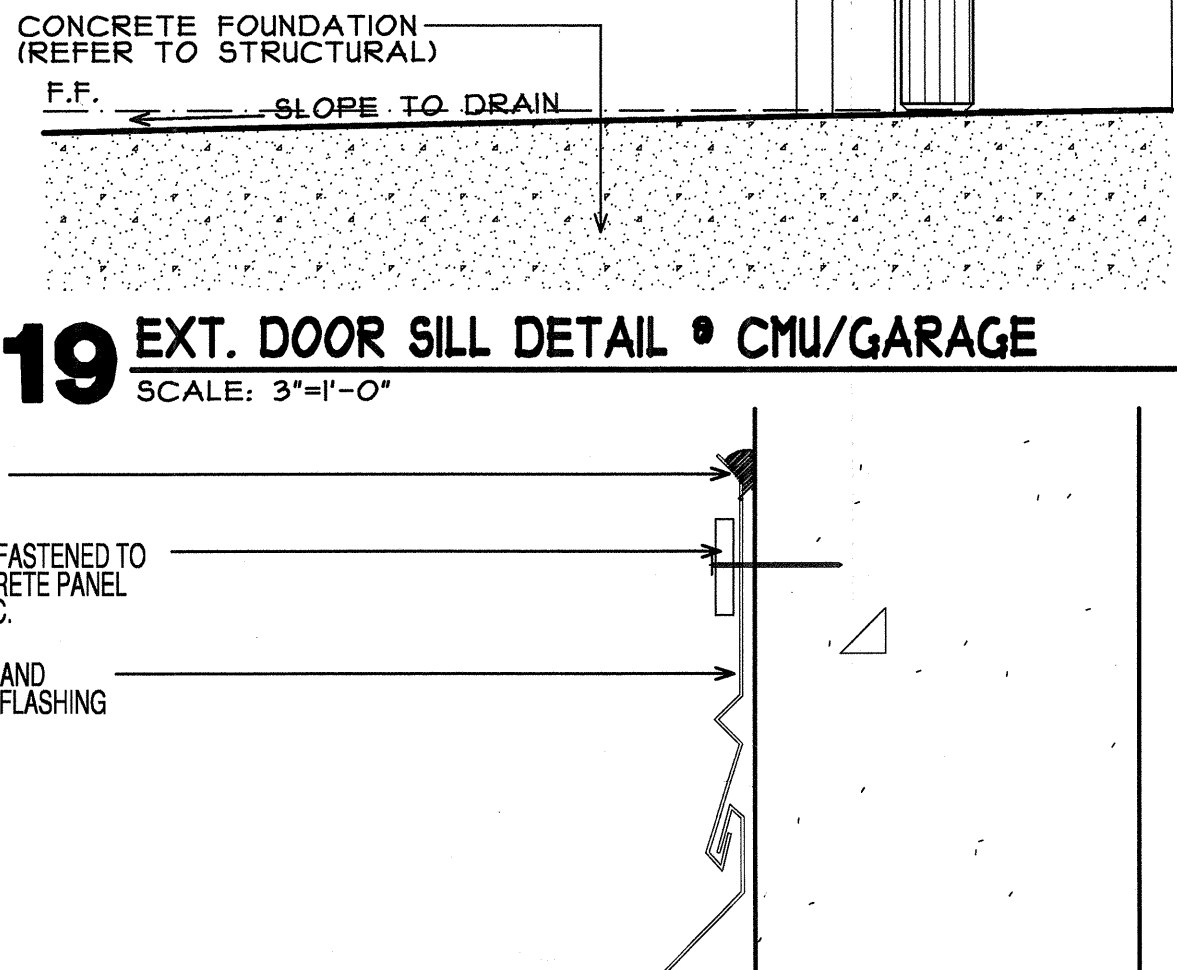
16 SERVICE DOOR SILL • CMU/GARAGE
SCALE: 3/4"=1'-0"



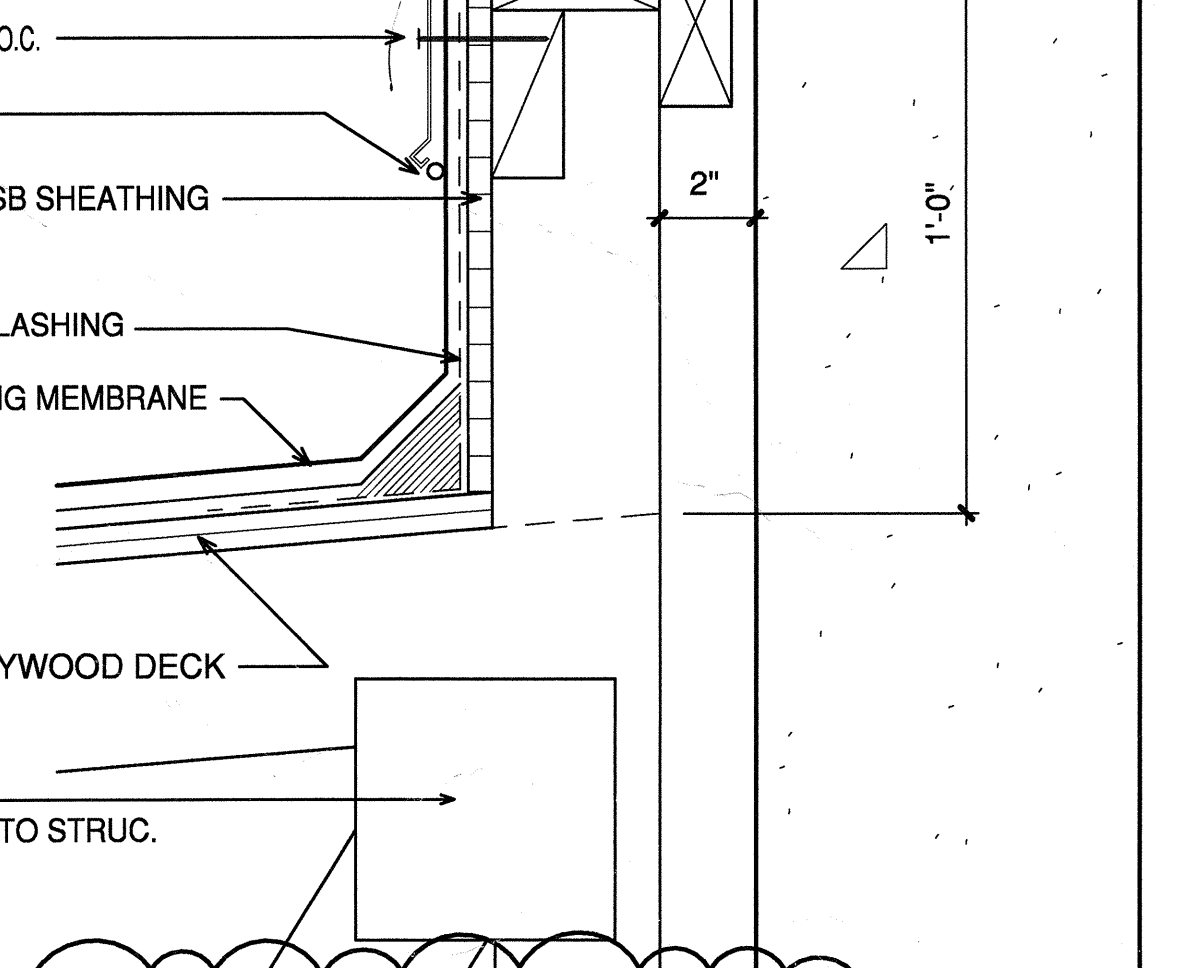
17 EXT. DOOR HEAD DETAIL • CMU/GARAGE
SCALE: 3/4"=1'-0"



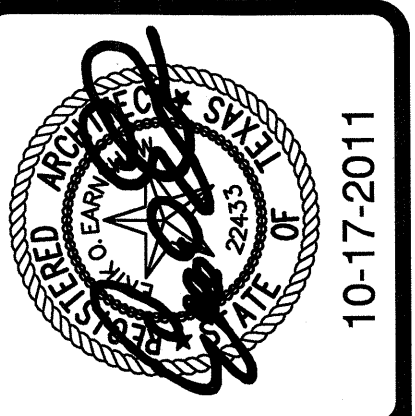
18 EXT. DOOR JAMB DETAIL • CMU/GARAGE
SCALE: 3/4"=1'-0"



19 EXT. DOOR SILL DETAIL • CMU/GARAGE
SCALE: 3/4"=1'-0"



20 FLASHING • PARAPET/GARAGE
SCALE: 3/4"=1'-0"



REVISIONS
COORDINATION
10-17-2011

KELLER SPRINGS LOFTS
LOFT APARTMENTS IN ADDISON, TEXAS

CONSTRUCTION ISSUE
10-17-2011

BGO
architects

4144 N. Central Expy.
Suite 855
Dallas, TX 75204
214.520.8878
bgoarchitects.com

DATE
08-05-2011

PROJECT
11129

SHEET NUMBER

8.4

DETAILS

COPYRIGHT © Bealer, Owens Architects All Rights Reserved