

REVISIONS
COORDINATION
10-17-2011

KELLER SPRINGS LOFTS
LOFT APARTMENTS IN ADDISON, TEXAS

CONSTRUCTION ISSUE
10-17-2011



4144 N. Central Expy.
Suite 855
Dallas, TX 75204
214.520.8878
bgoarchitects.com

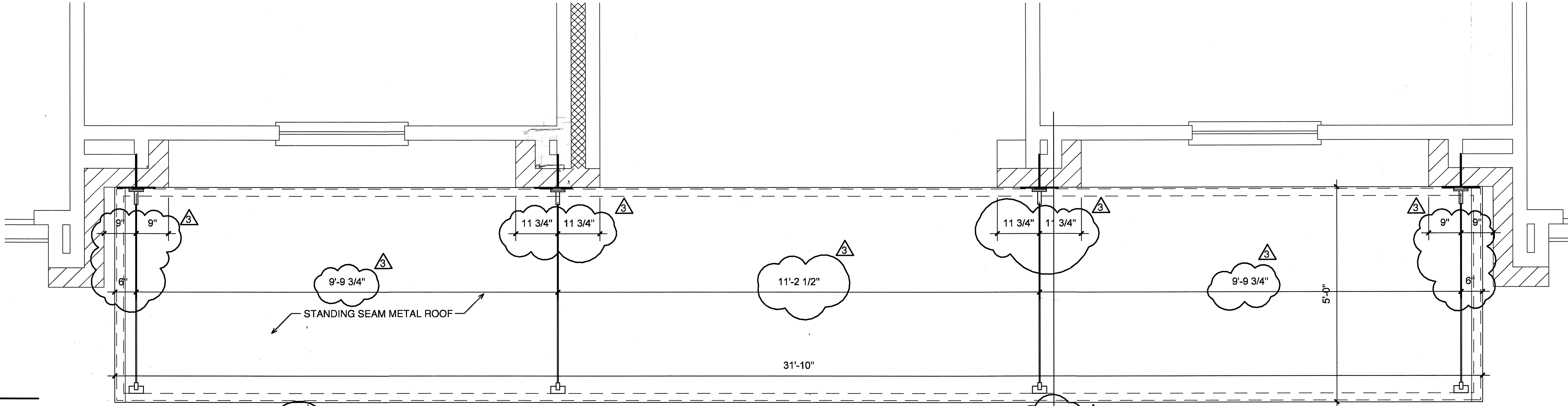
DATE
08-05-2011

PROJECT
11129

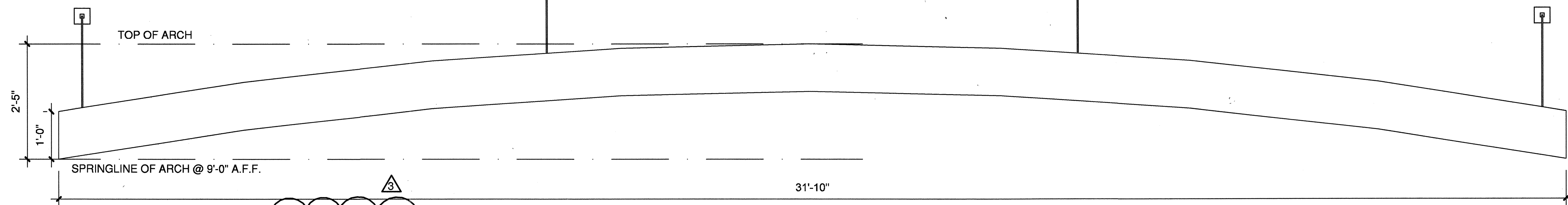
SHEET NUMBER

8.6A
AWNING DETAILS

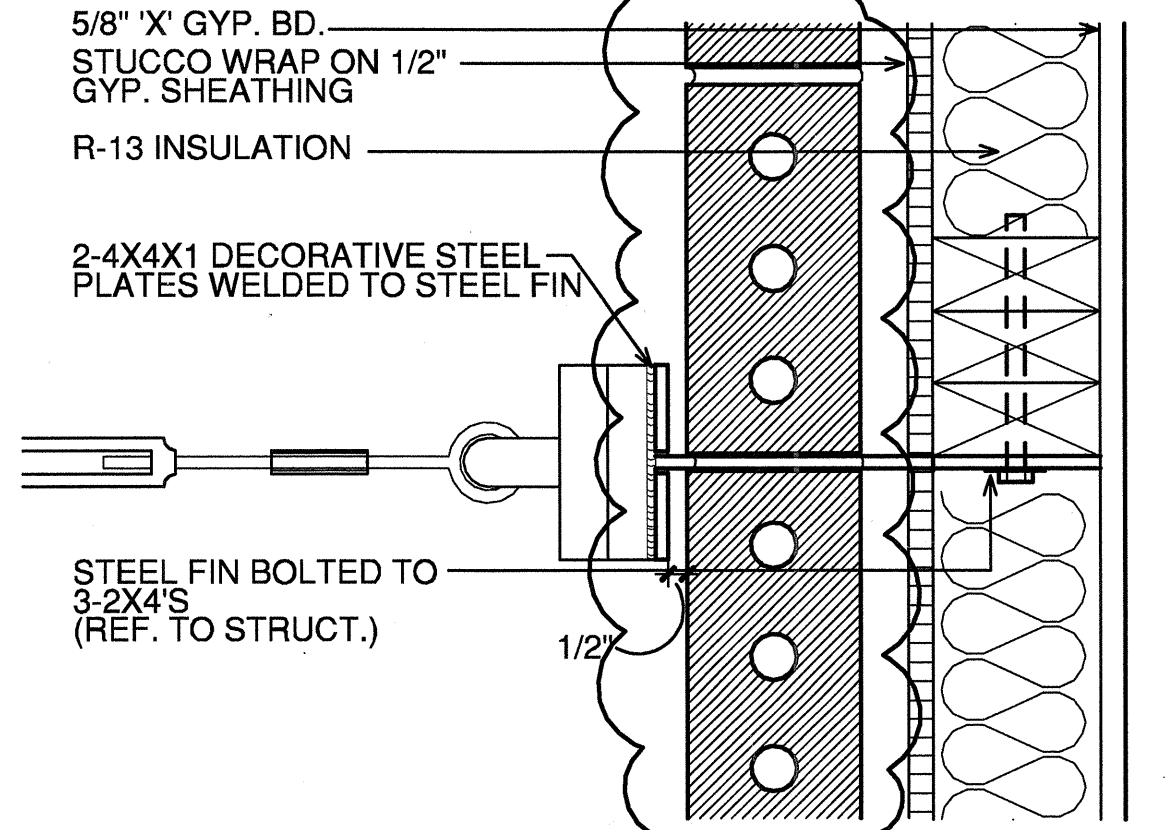
COPYRIGHT © Beeler, Owens Architects ALL RIGHTS RESERVED



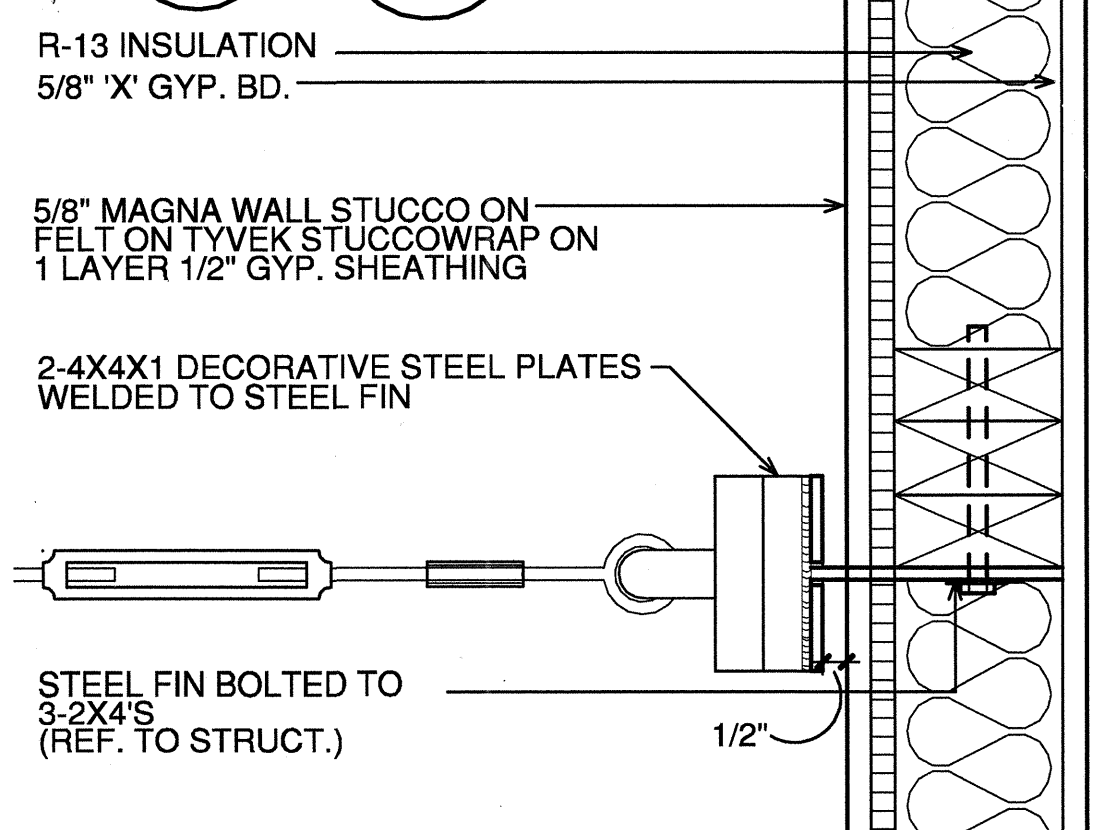
5 AWNING PLAN - SOUTH ENTRY
SCALE 3/4"=1'-0"



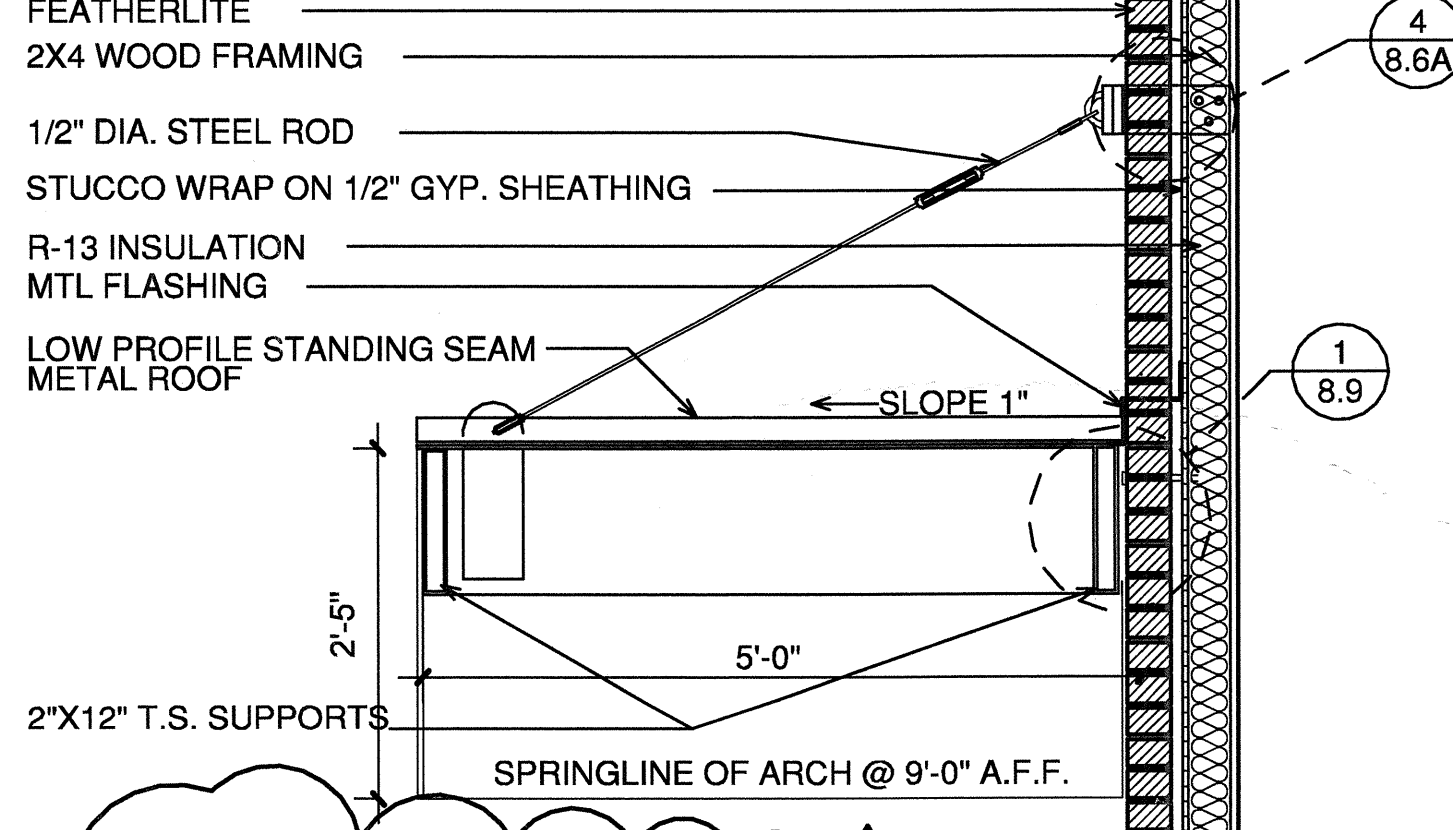
6 AWNING ELEVATION - SOUTH ENTRY
SCALE 3/4"=1'-0"



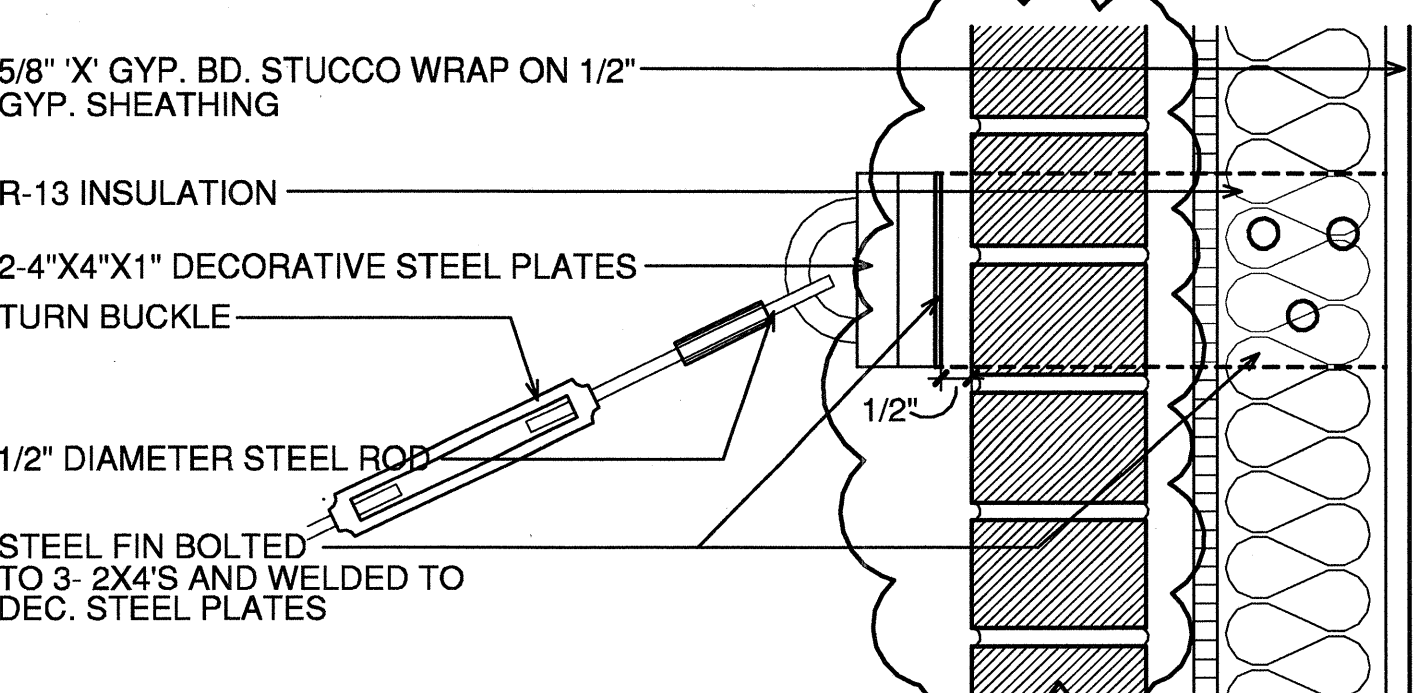
3 DETAIL PLAN @ STONE/BRICK
SCALE 3"=1'-0"



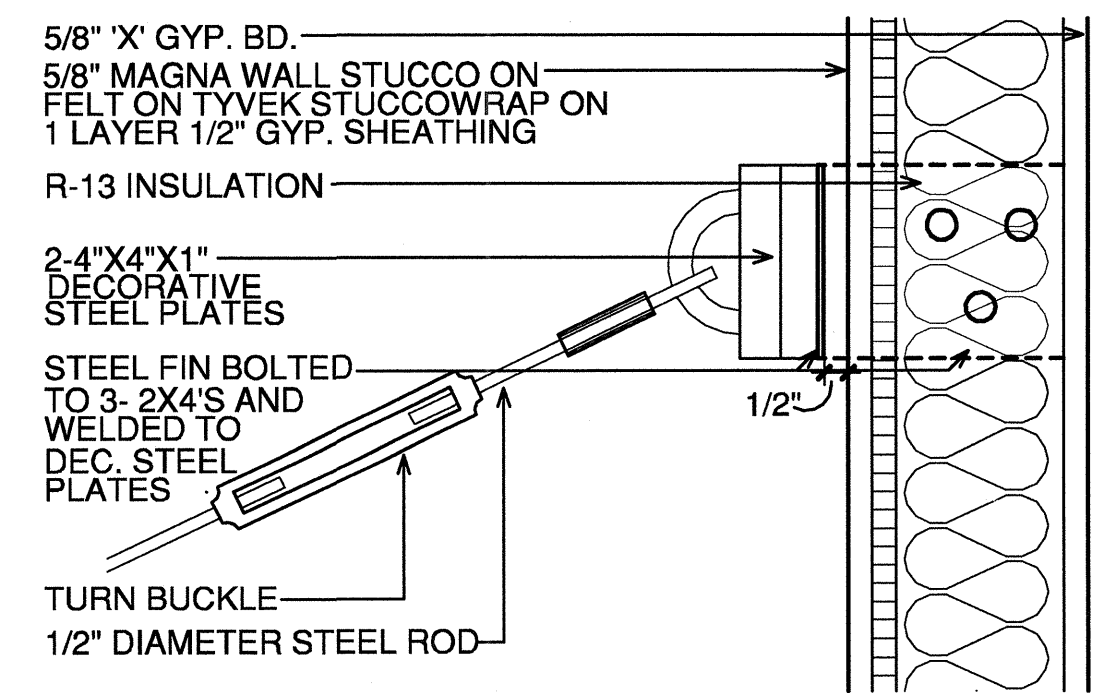
7 DETAIL PLAN @ STUCCO
SCALE 3"=1'-0"



9 AWNING SECTION
SCALE 3/4"=1'-0"



4 DETAIL SECTION @ STONE/BRICK
SCALE 3"=1'-0"



8 DETAIL SECTION @ STUCCO
SCALE 3"=1'-0"

10 NOT USED
N/A

11 NOT USED
N/A

12 NOT USED
N/A

1 NOT USED
N/A

2 NOT USED
N/A