

REVISIONS	
△	COORDINATION 10-17-2011

KELLER SPRINGS LOFTS
LOFT APARTMENTS IN ADDISON, TEXAS

CONSTRUCTION ISSUE
10-17-2011

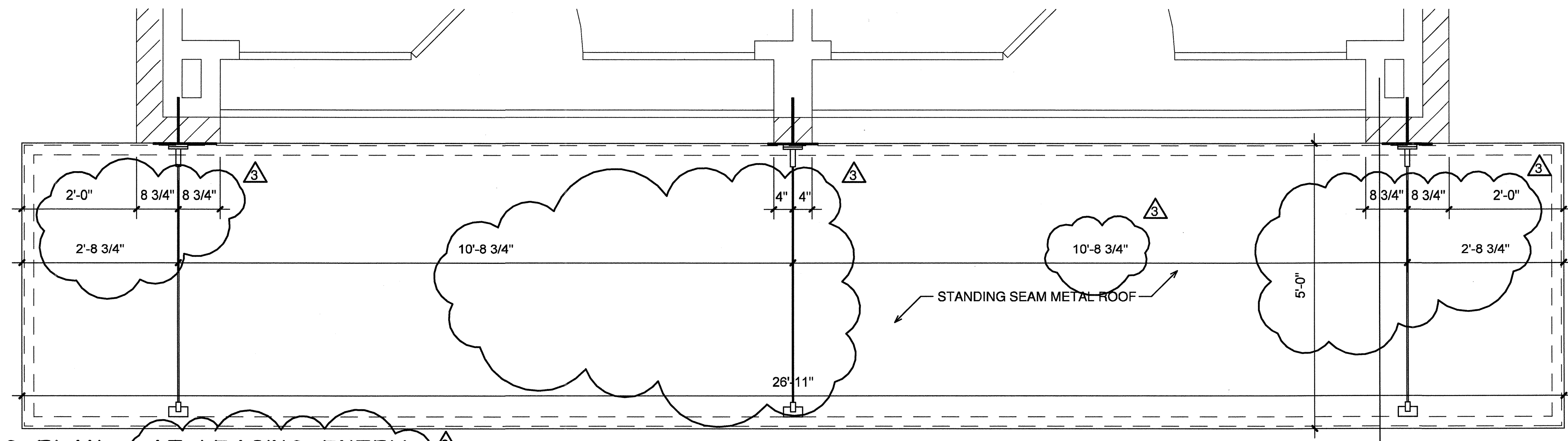
BGO
architects
4144 N. Central Expy.
Suite 955
Dallas, TX 75204
214.520.8878
bgoarchitects.com

DATE
08-05-2011

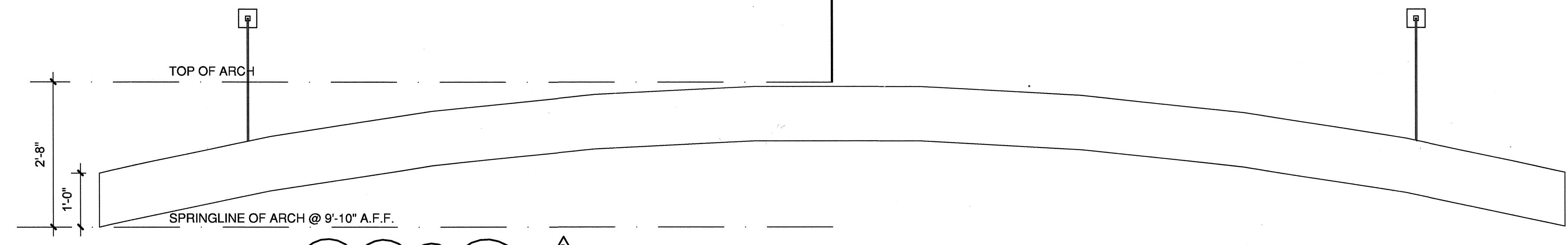
PROJECT
11129

SHEET NUMBER

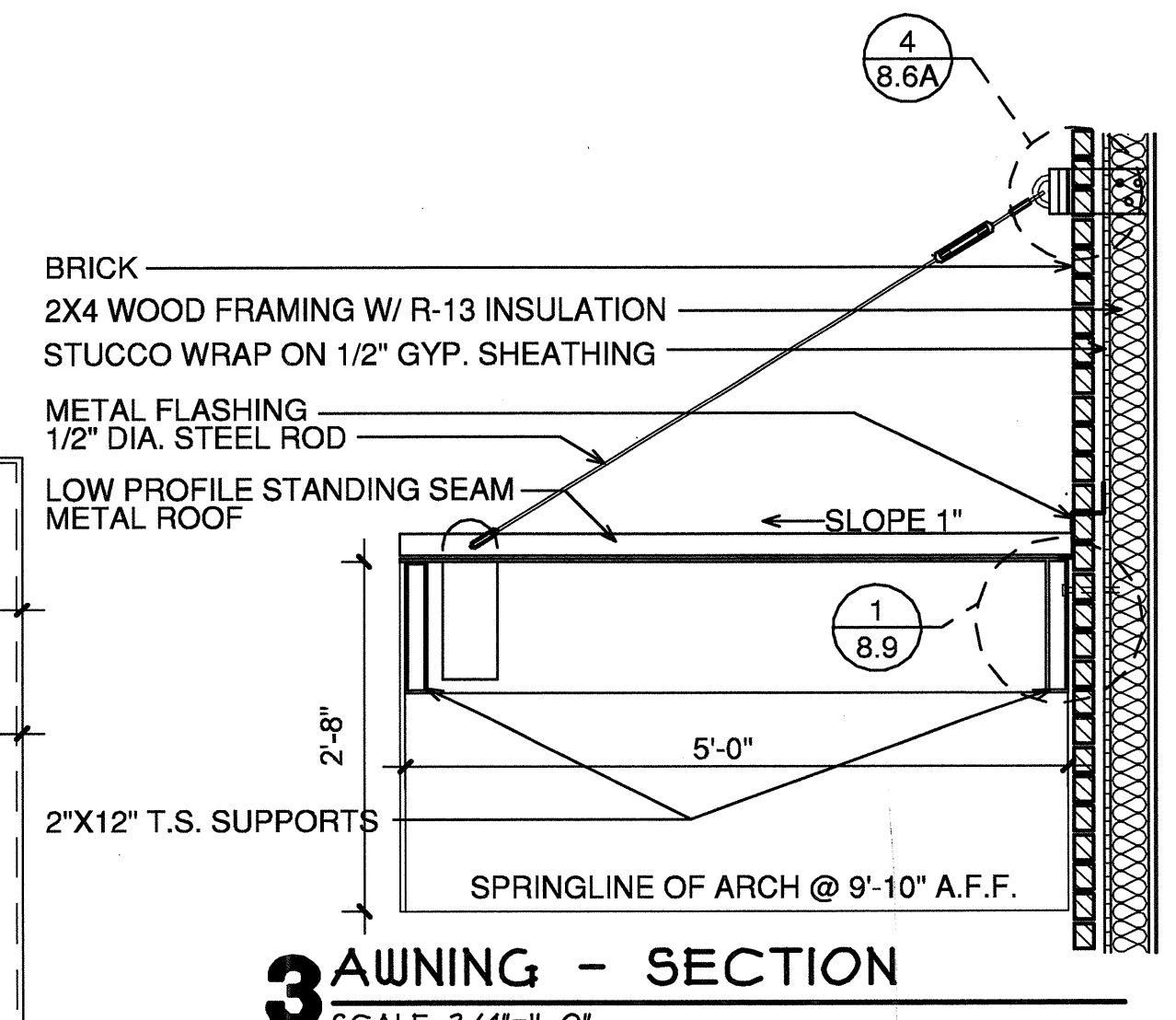
8.6B
AWNING
DETAILS



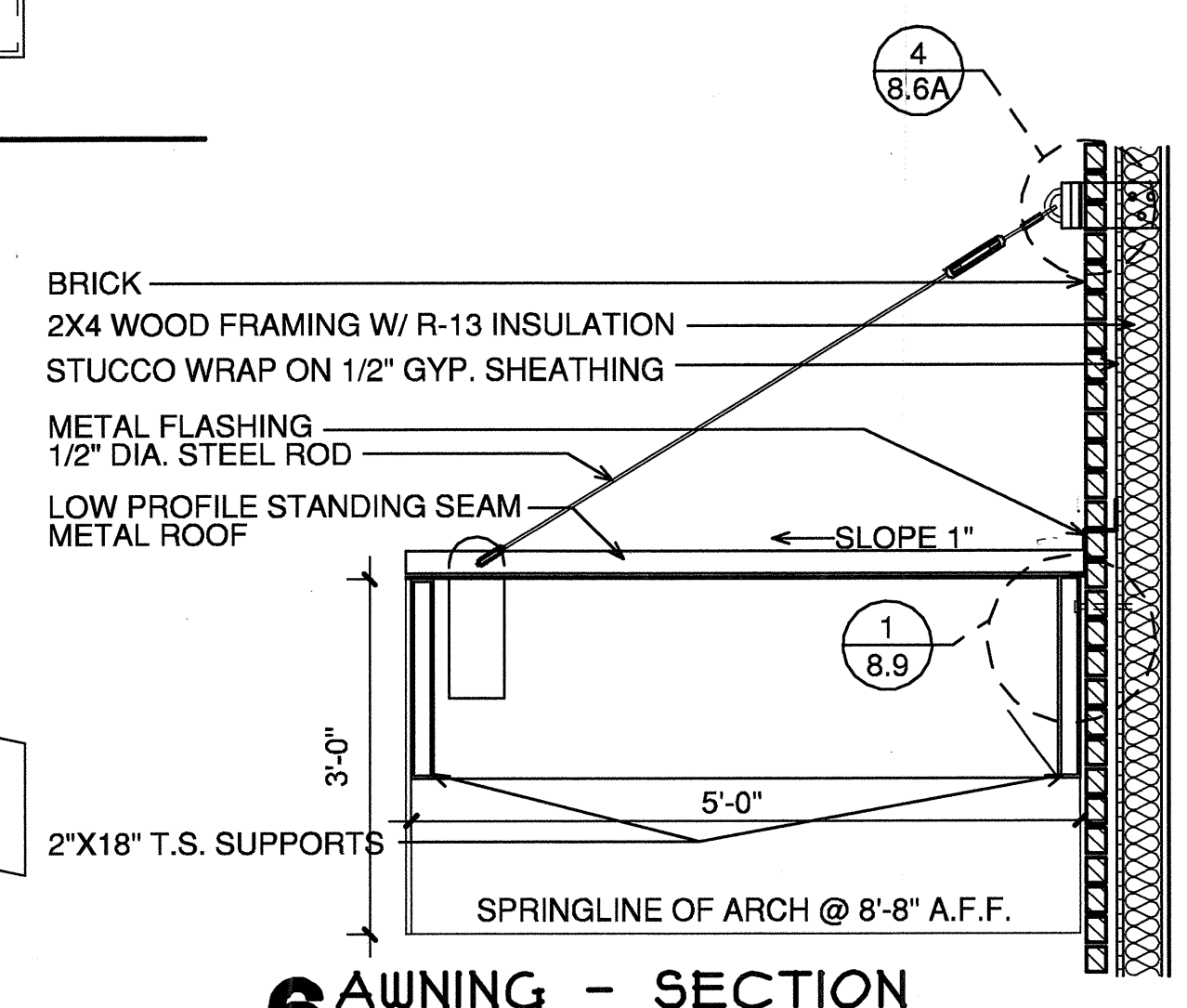
1 AWNING PLAN - AT LEASING ENTRY
SCALE 3/4"=1'-0"



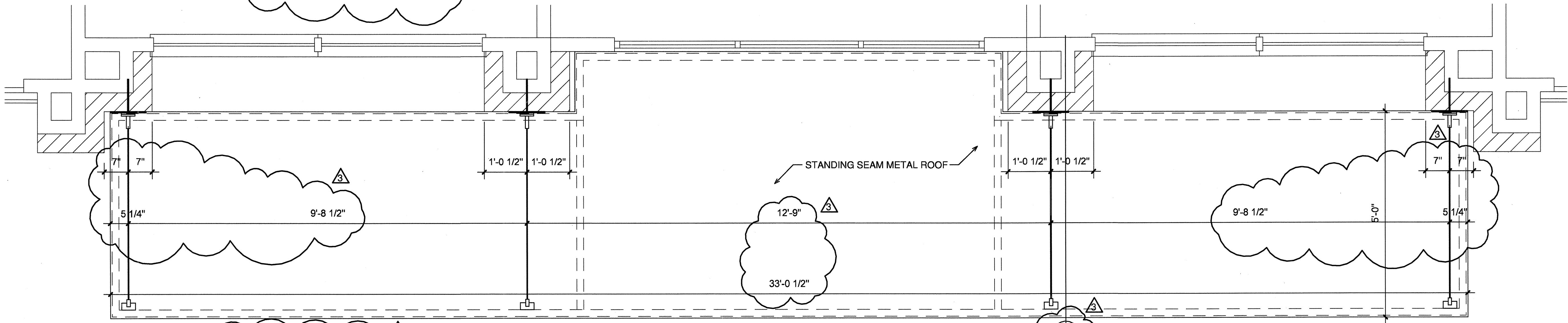
2 AWNING ELEVATION - AT LEASING ENTRY
SCALE 3/4"=1'-0"



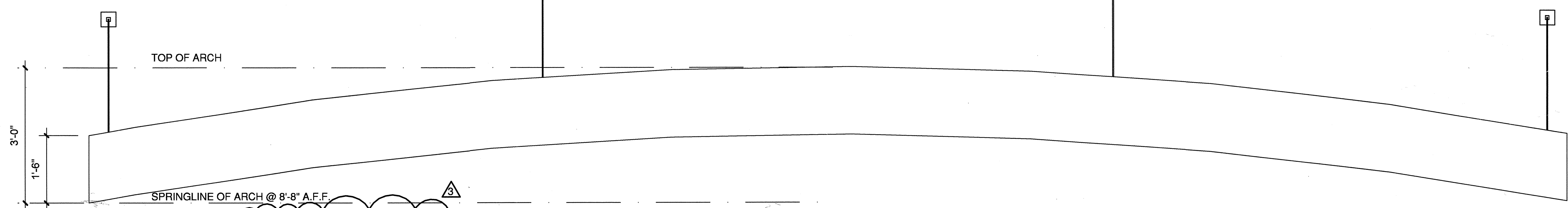
3 AWNING - SECTION
SCALE 3/4"=1'-0"



6 AWNING - SECTION
SCALE 3/4"=1'-0"



4 AWNING PLAN - AT NORTH ENTRY
SCALE 3/4"=1'-0"



5 AWNING ELEVATION - AT NORTH ENTRY
SCALE 3/4"=1'-0"

COPYRIGHT © Beeler Guest Owens Architects ALL RIGHTS RESERVED