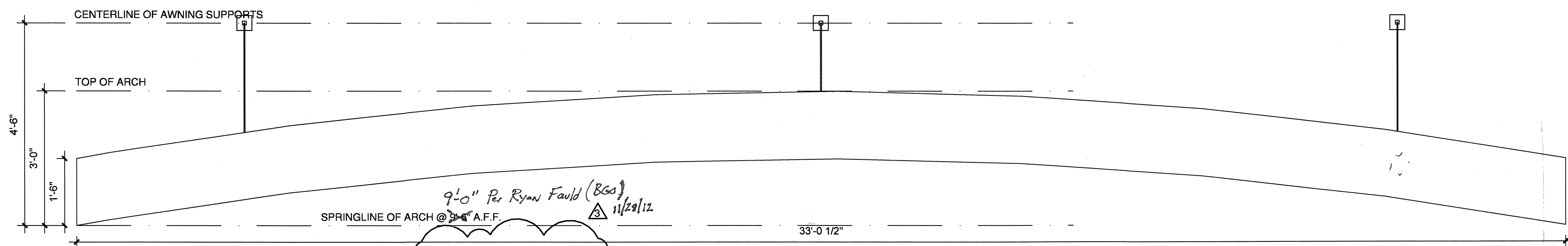
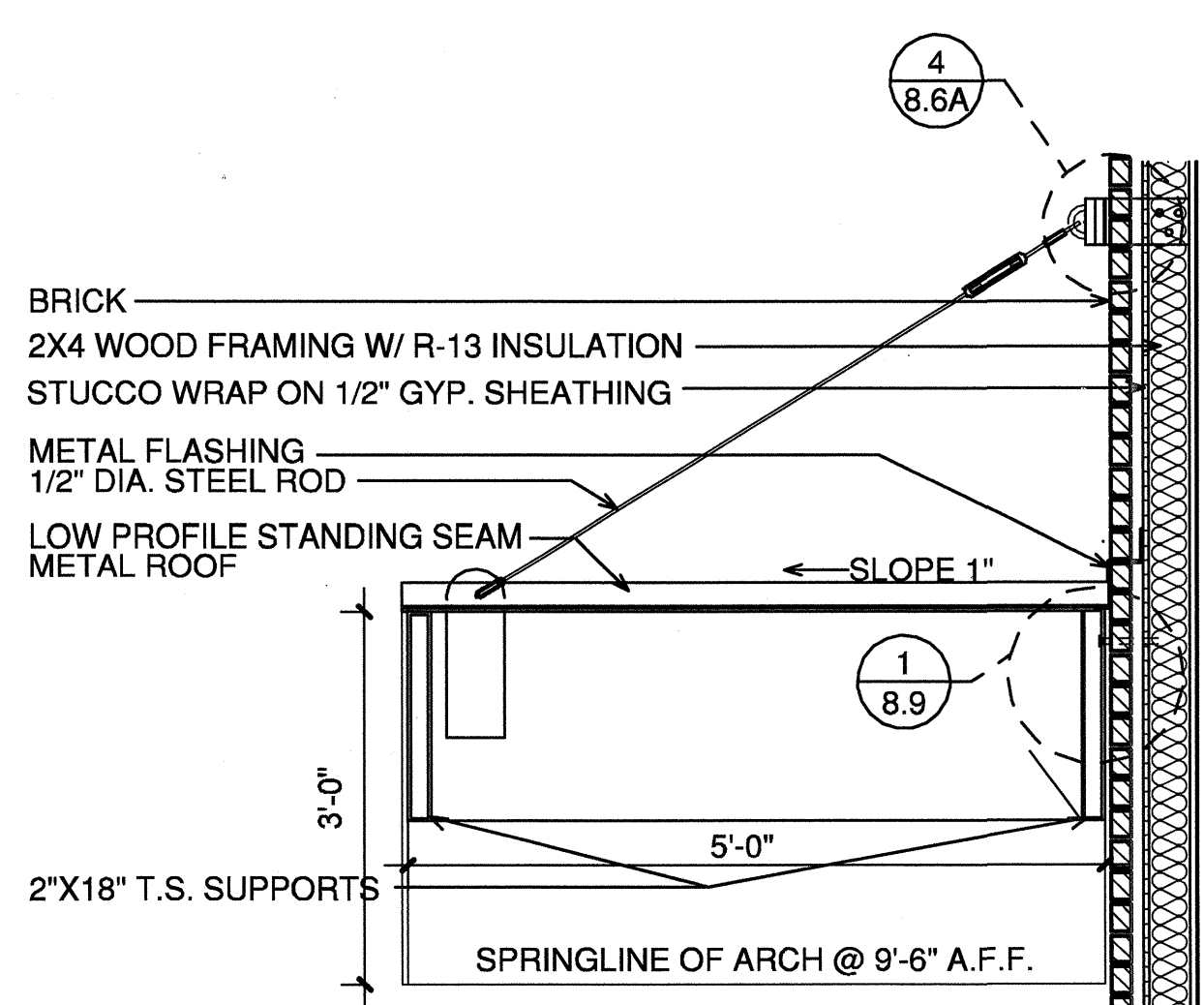


1 AWNING PLAN - AT WEST ENTRY
SCALE 3/4"=1'-0"



2 AWNING ELEVATION - AT WEST ENTRY
SCALE 3/4"=1'-0"



3 AWNING SECTION
SCALE 3/4"=1'-0"



REVISIONS	
3	COORDINATION 10-17-2011

KELLER SPRINGS LOFTS
LOFT APARTMENTS IN ADDISON, TEXAS

CONSTRUCTION ISSUE
10-17-2011

BGO
architects
4144 N. Central Expy.
Suite 855
Dallas, TX 75204
214.520.8878
bgoarchitects.com

DATE
08-05-2011

PROJECT
11129

SHEET NUMBER

8.6C
AWNING
DETAILS

COPYRIGHT © Beeler Guest Owens Architects All Rights Reserved