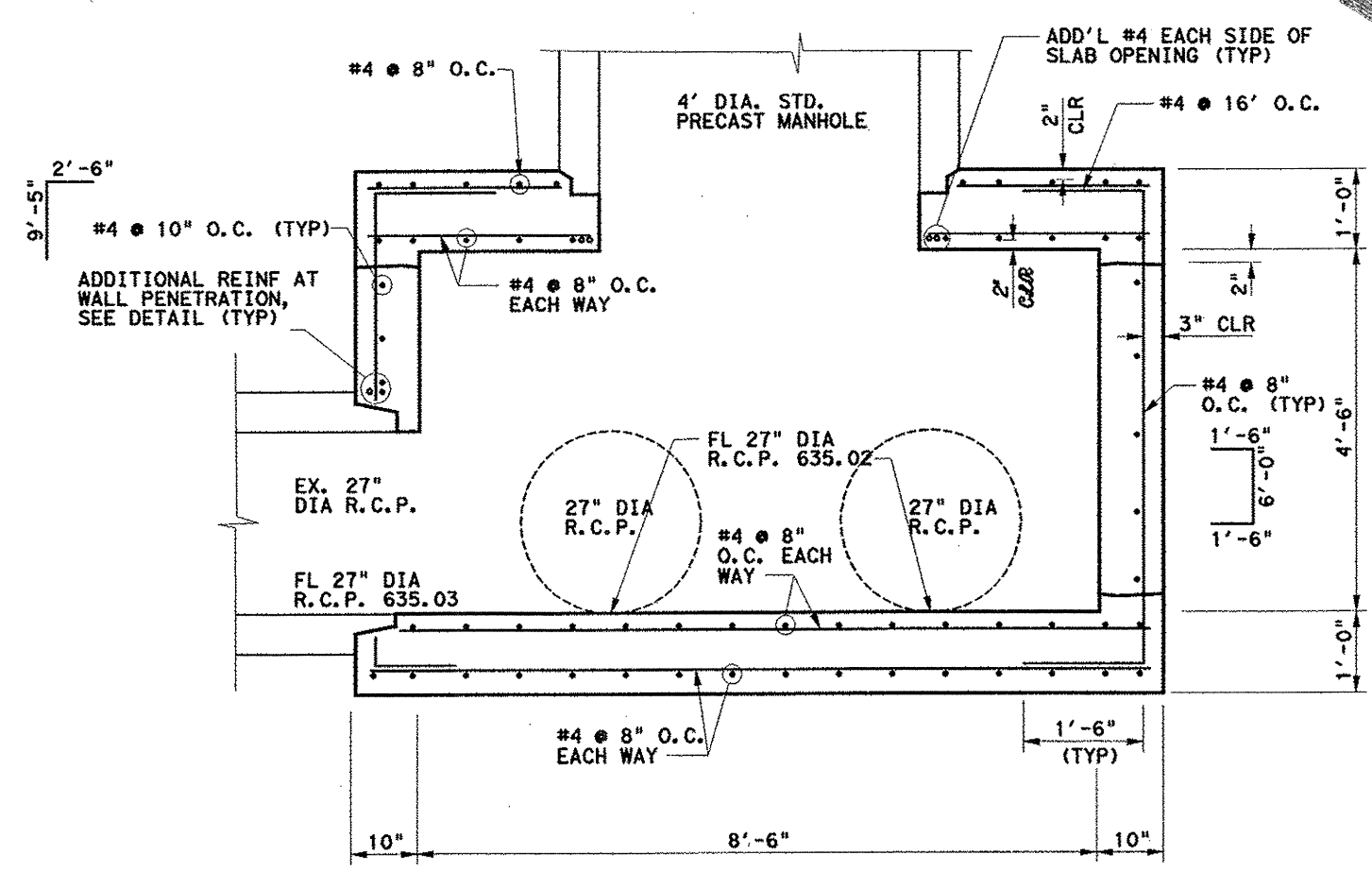
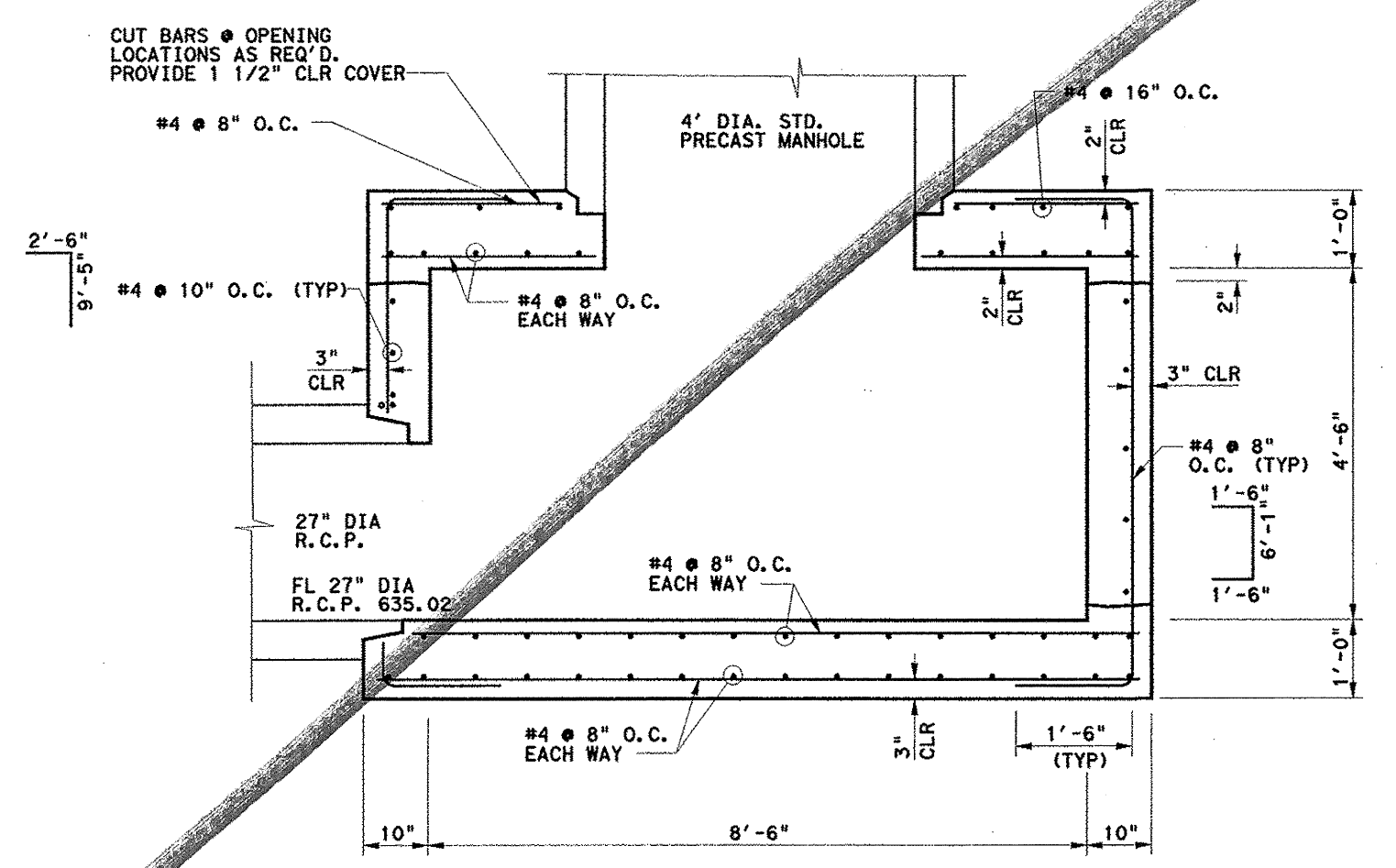
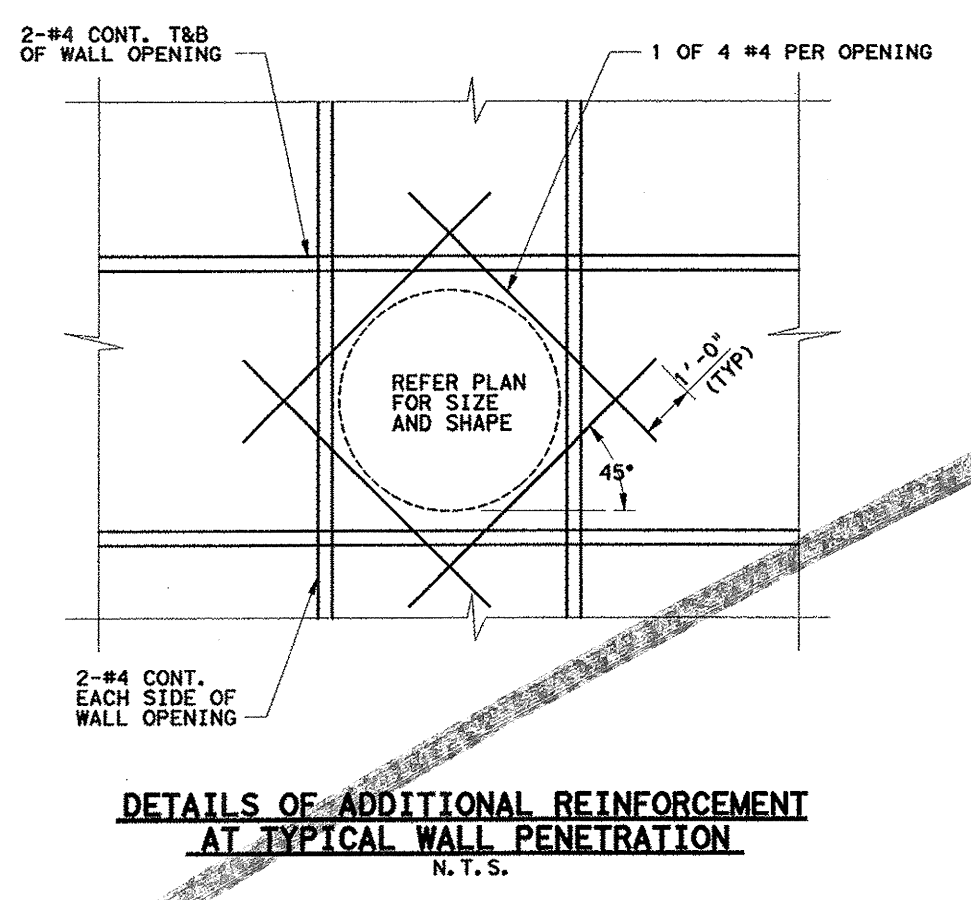
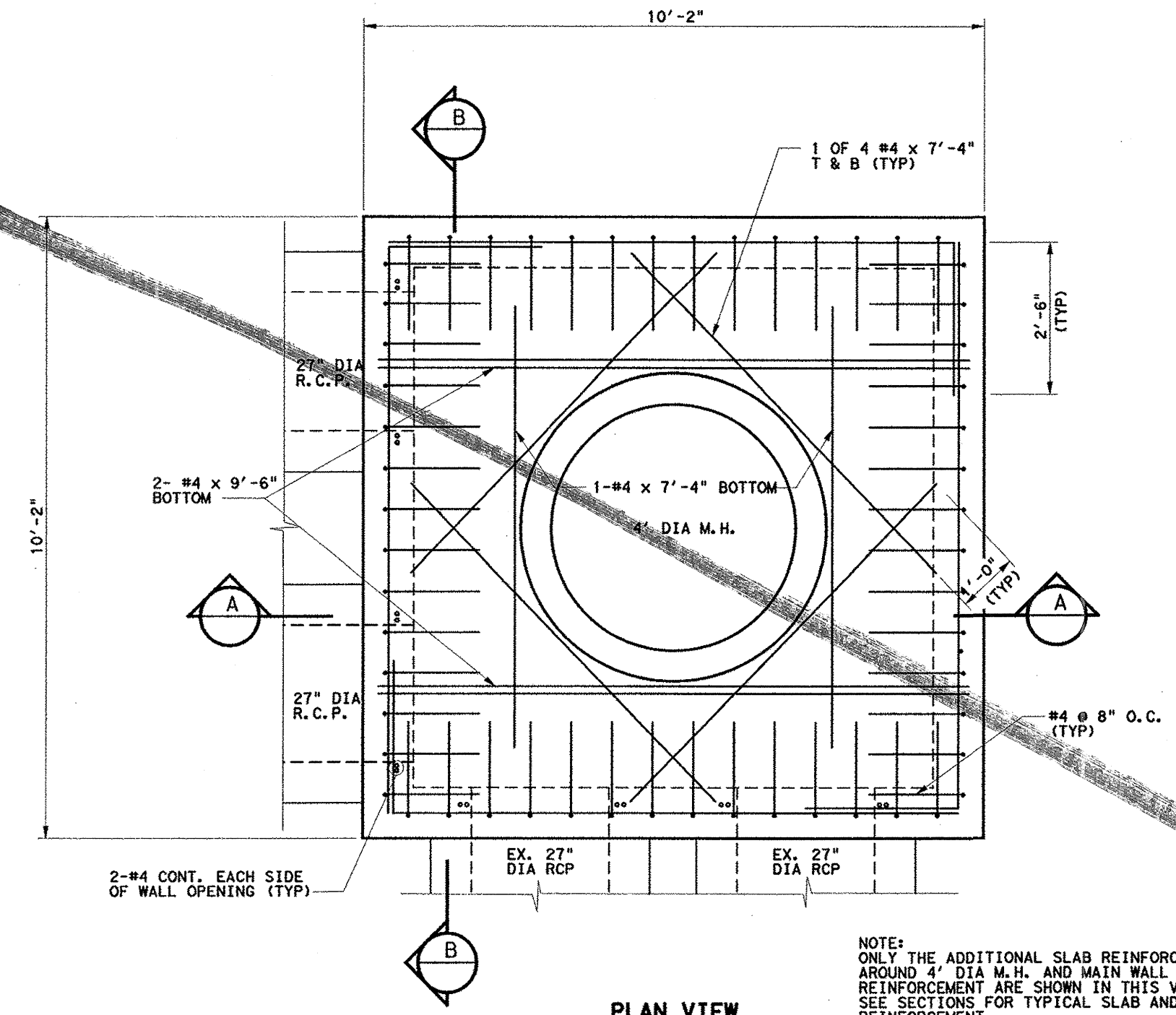
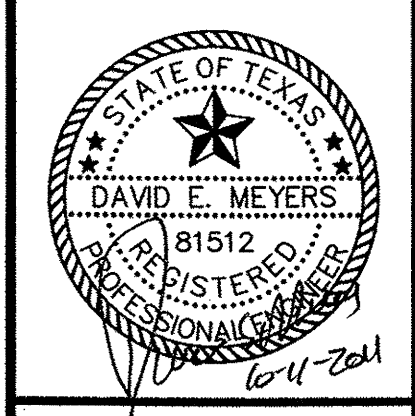


NOTE: SEE SHEET C15 FOR GENERAL NOTES.



Kimley-Horn and Associates, Inc.
2700 Ross Street, Suite 300
Dallas, TX 75201-9518 972-770-8000
Firm No. 388

No.	Revision	Date



Keller Springs Lofts
Loft Apartments in Addison
Town of Addison, Texas

JUNCTION STRUCTURE DETAILS

DATE: OCTOBER 11, 2011
DESIGN: KHA
DRAWN: KHA
CHECKED: KHA
KHA NO.: 064362003
CITY NO.: