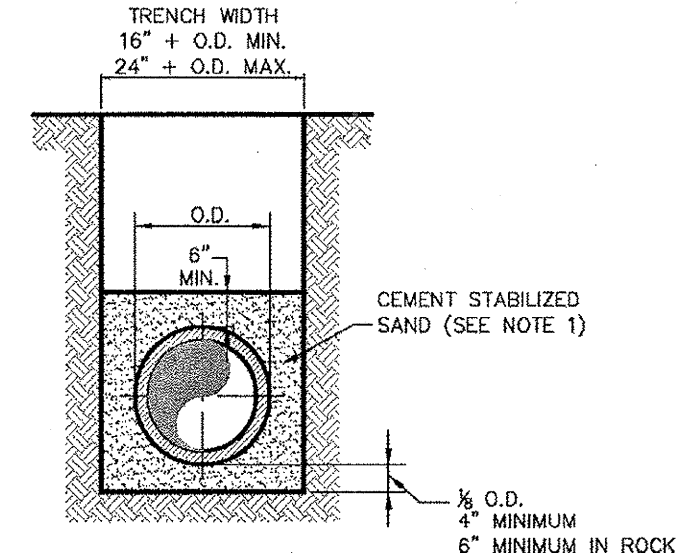


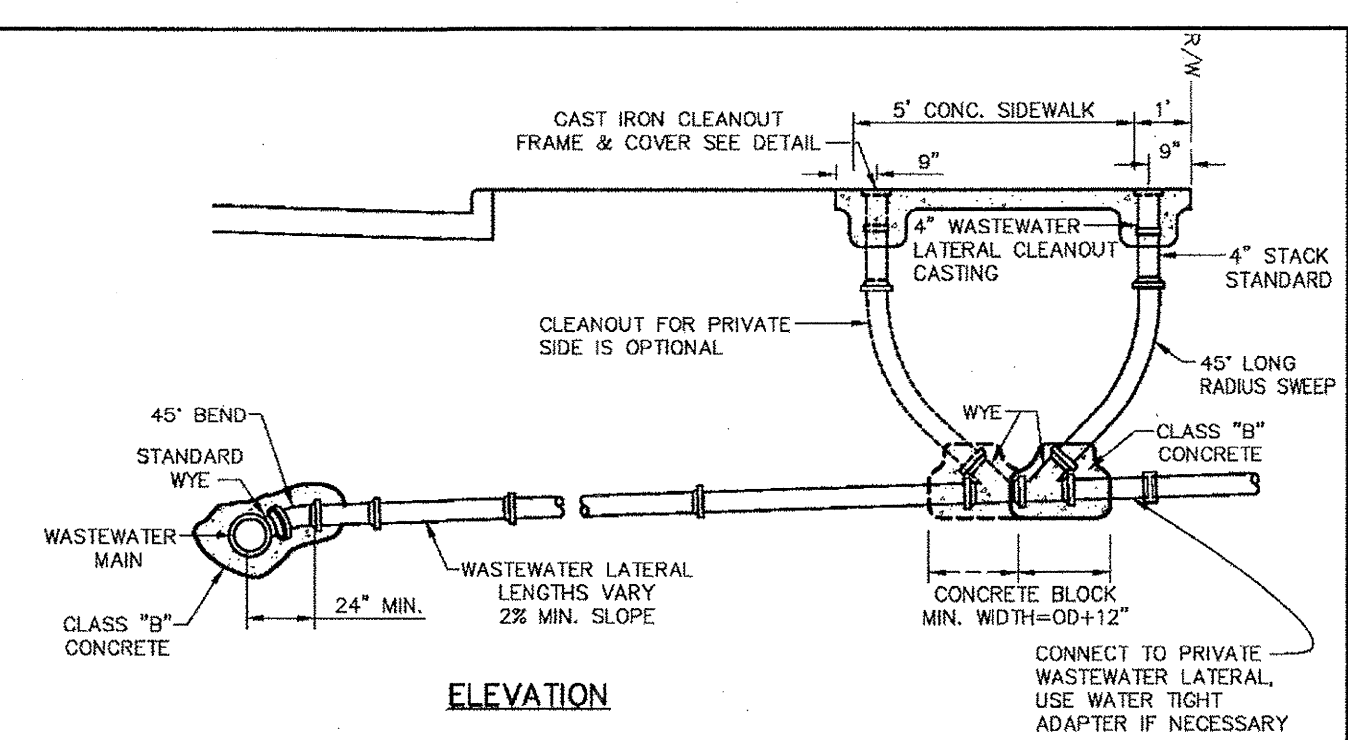
TYPICAL P.V.C. WASTEWATER MAIN EMBEDMENT



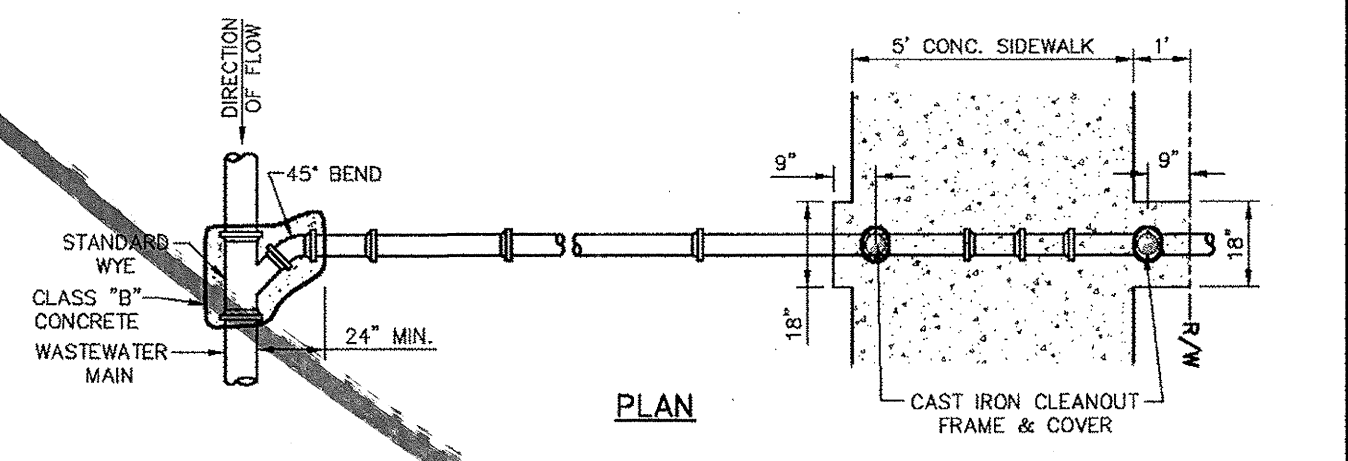
P.V.C. WASTEWATER MAIN CEMENT STABILIZED SAND EMBEDMENT

NOTE:  
1. CEMENT STABILIZED SAND SHALL HAVE A MINIMUM OF 10% CEMENT PER CUBIC YARD OF CEMENT STABILIZED SAND MIXTURE, BASED ON LOOSE DRY WEIGHT VOLUME (AT LEAST 2.5 BAGS OF CEMENT PER CUBIC YARD OF MIXTURE). THE USE OF BROWN COLORING IN CEMENT STABILIZED SAND IS REQUIRED FOR PRESSURE RATED WASTEWATER MAIN AND LATERAL BEDDING.

Addison! PUBLIC WORKS DEPARTMENT	P.V.C. WASTEWATER MAIN EMBEDMENT	STANDARD CONSTRUCTION DETAILS WASTEWATER		
		DATE: AUGUST, 2010	REV DATE:	SHEET: SD-WW01



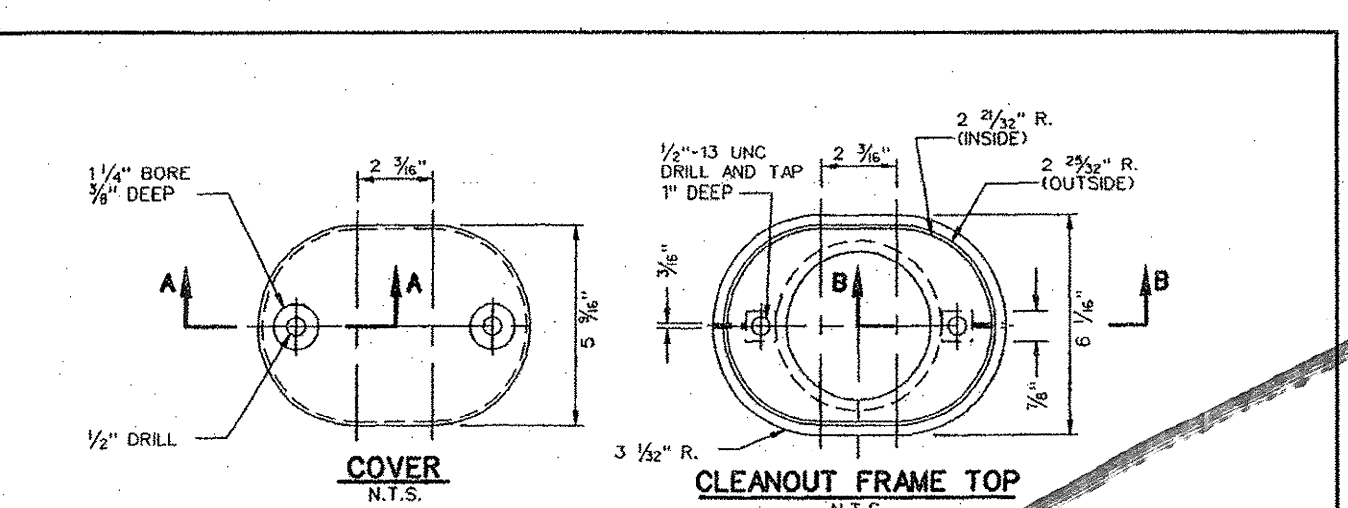
ELEVATION



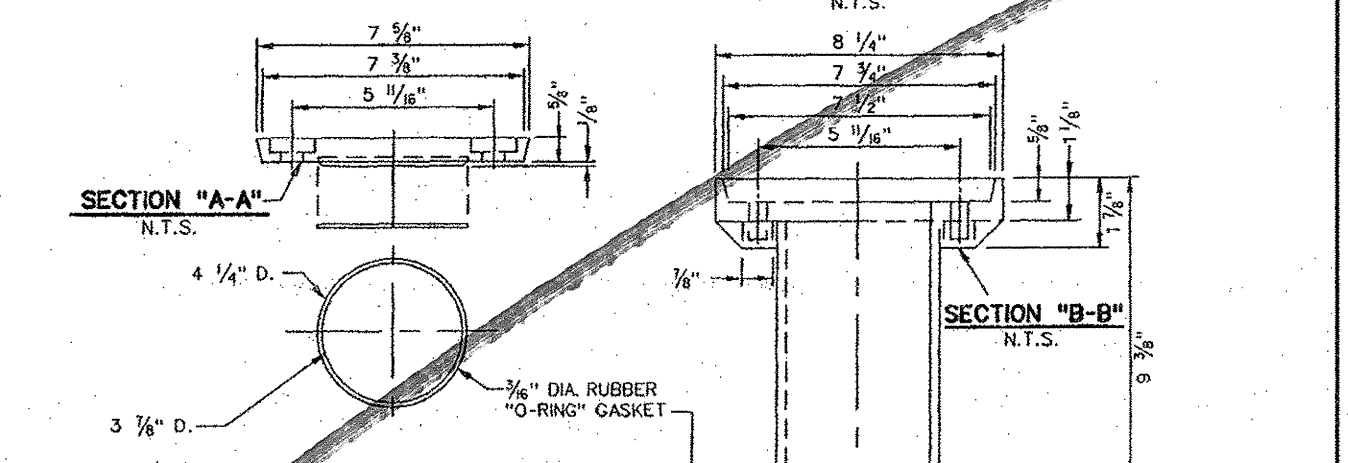
PLAN

NOTES:  
1. WASTEWATER LATERALS ARE TO BE CONSTRUCTED TO CLEAR EXISTING AND PROPOSED FACILITIES, SUCH AS STORM DRAIN MAINS, RETAINING WALLS, OTHER UTILITIES, ETC.  
2. THE WASTEWATER LATERAL SHALL HAVE MINIMUM COVER OF 4'-0" BELOW THE PROPOSED CURB GRADE AT THE PROPERTY LINE, DETERMINED FROM PAVING GRADE, OR AS REQUIRED TO MAINTAIN A MINIMUM OF 2.0% GRADE, OR AS DIRECTED BY THE OWNER.

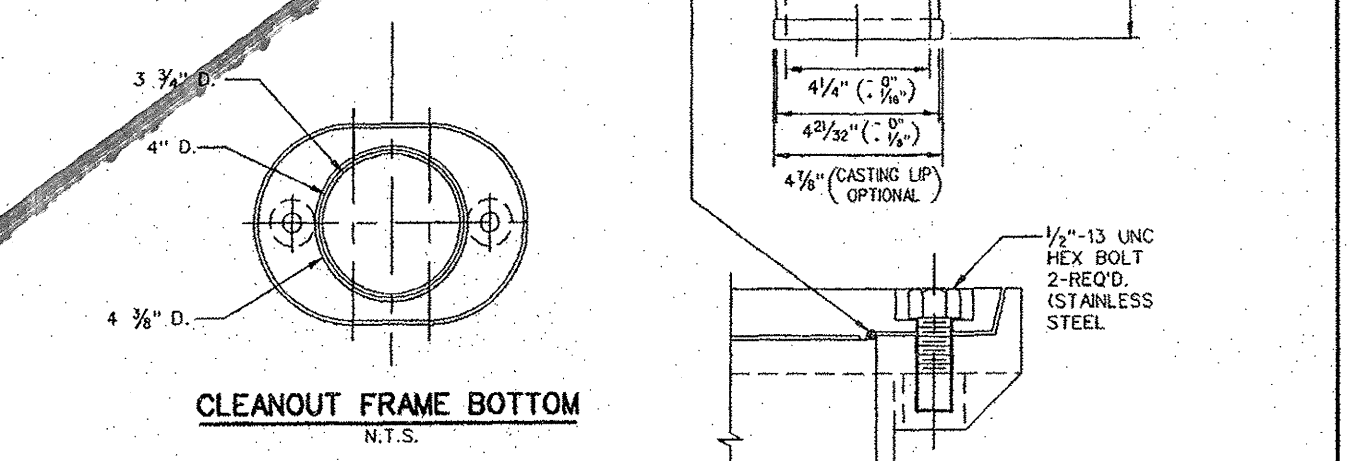
Addison! PUBLIC WORKS DEPARTMENT	TWO-WAY CLEANOUT NEW CONSTRUCTION	STANDARD CONSTRUCTION DETAILS WASTEWATER		
		DATE: AUGUST, 2010	REV DATE:	SHEET: SD-WW02



COVER



CLEANOUT FRAME TOP

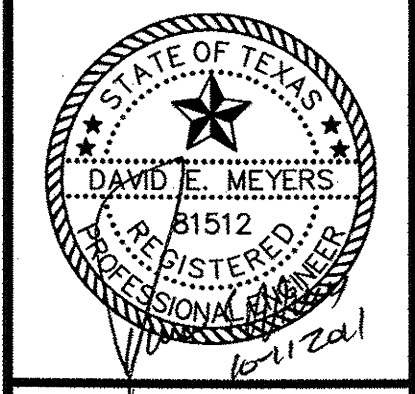


CLEANOUT FRAME BOTTOM

1. THE WORDS "WASTEWATER LATERAL CLEANOUT" SHALL BE CAST INTO TOP OF COVER.  
2. MATERIALS TO BE CAST IRON.

Addison! PUBLIC WORKS DEPARTMENT	CAST IRON CLEANOUT FRAME & COVER	STANDARD CONSTRUCTION DETAILS WASTEWATER		
		DATE: AUGUST, 2010	REV DATE:	SHEET: SD-WW03

Kimley-Horn and Associates, Inc.  
2700 Park Central Drive, Suite 800  
Dallas, TX 75241-8888 972-770-8000  
Date: 8/26/11  
Revision: 1  
No. 1  
REVIS: TOWN DETAILS



Keller Springs Lofts  
Loft Apartments in Addison  
Town of Addison, Texas

WASTEWATER DETAILS

DATE: OCTOBER 11, 2011	DESIGN: KHA	DRAWN: KHA	CHECKED: KHA	KHA NO.: 064362003	CITY NO.:
------------------------	-------------	------------	--------------	--------------------	-----------

SHEET  
C23