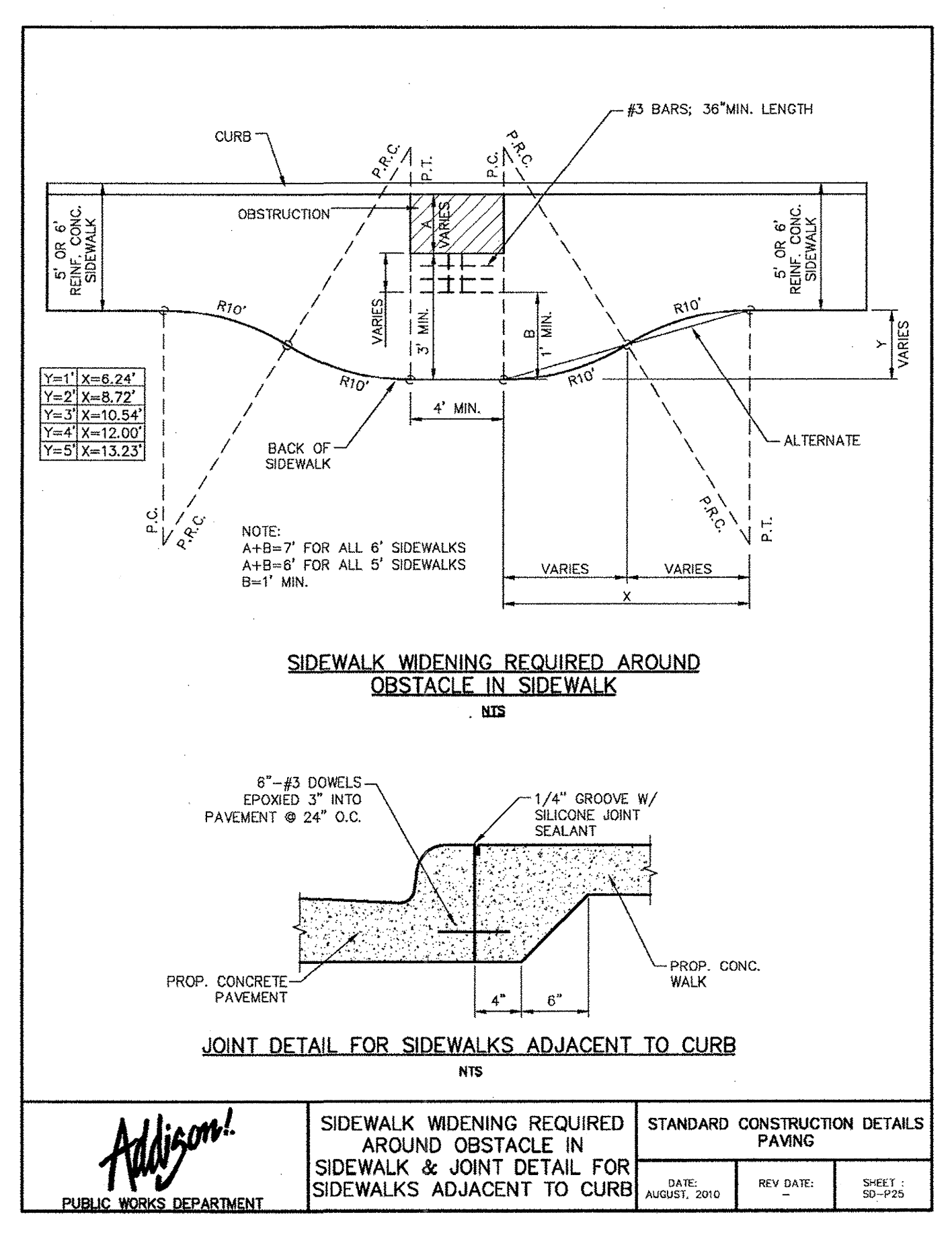
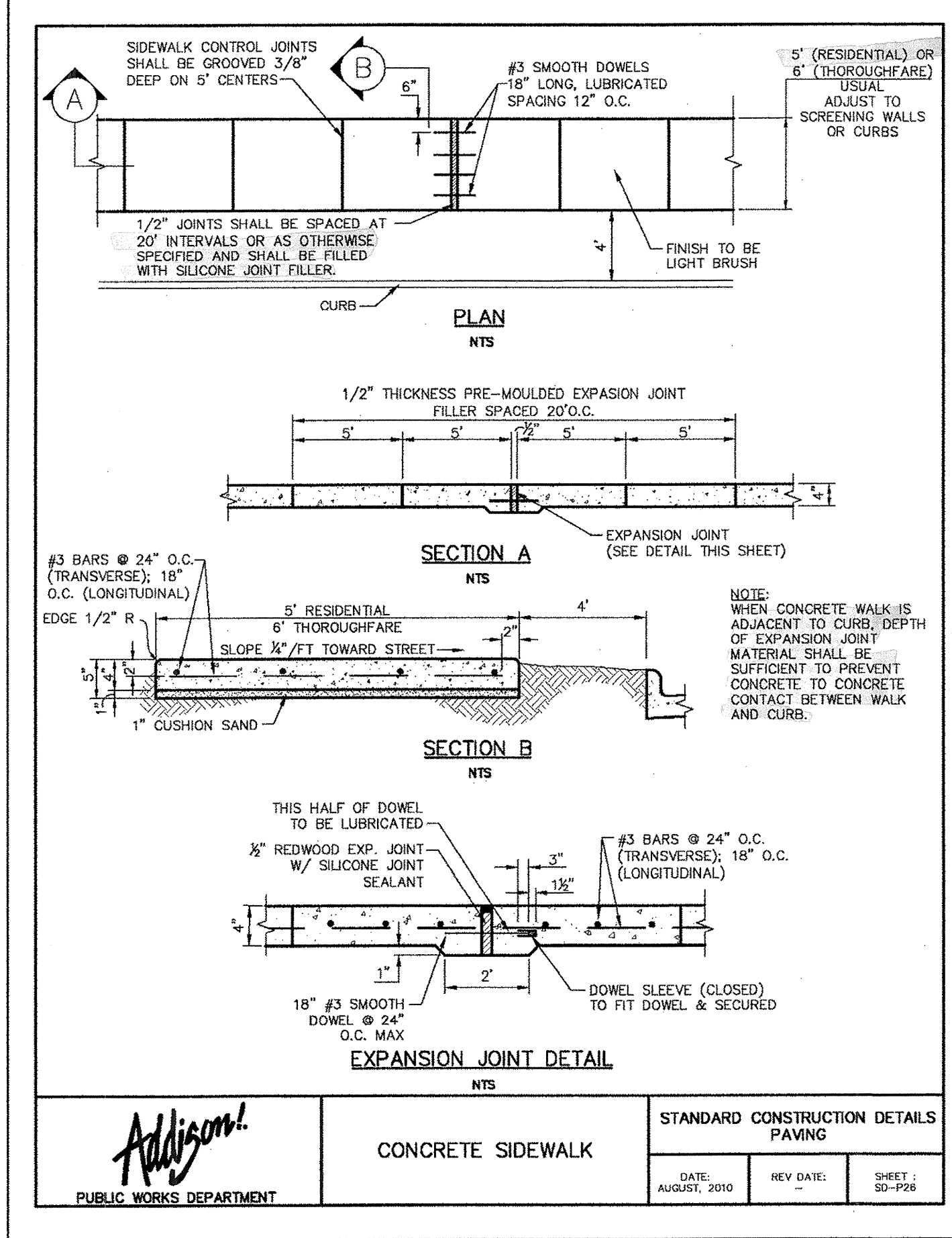


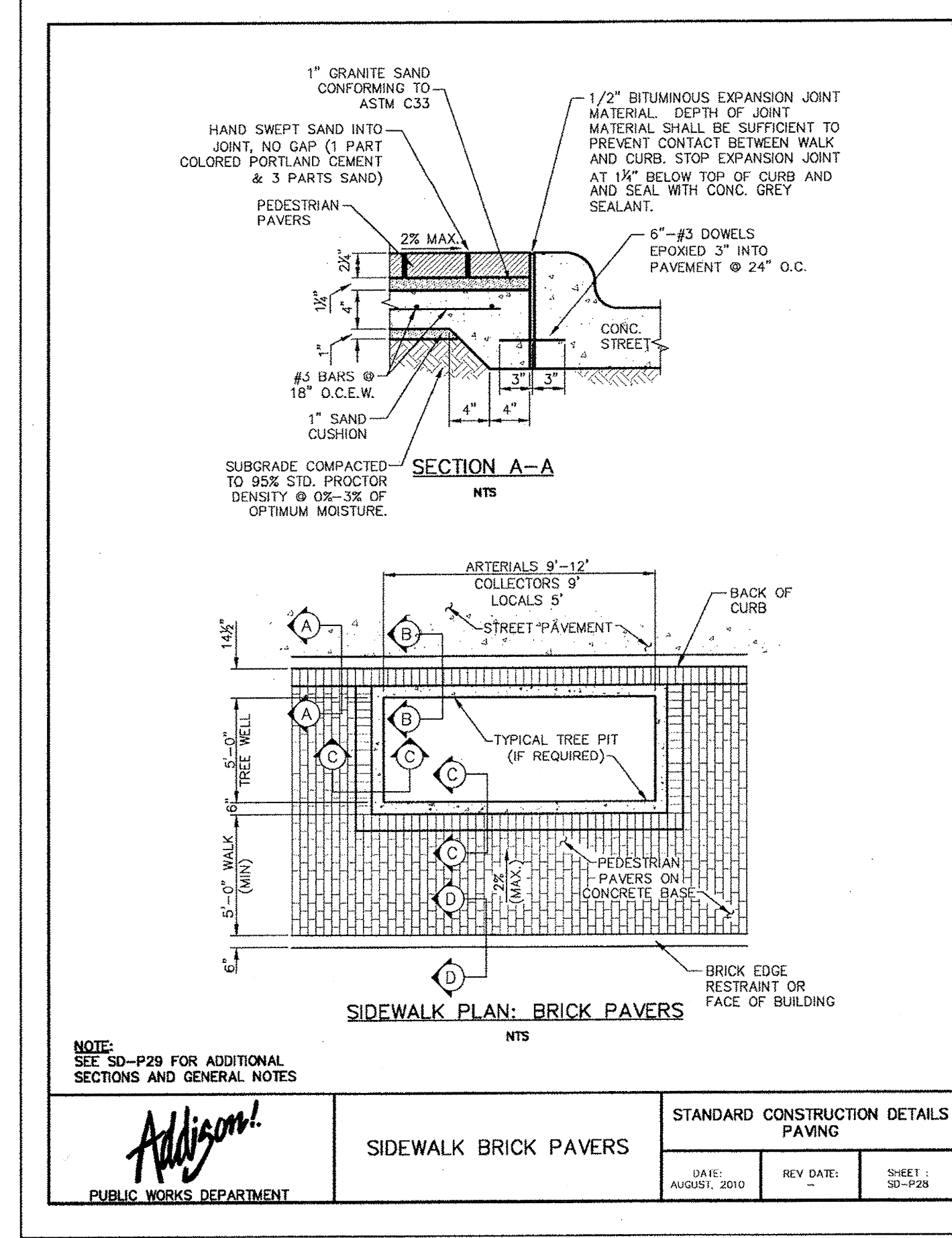
 PUBLIC WORKS DEPARTMENT	SPACING DIAGRAM FOR TRANSVERSE JOINTS	STANDARD CONSTRUCTION DETAILS PAVING		
		DATE: AUGUST, 2010	REV DATE: -	SHEET: 50-922



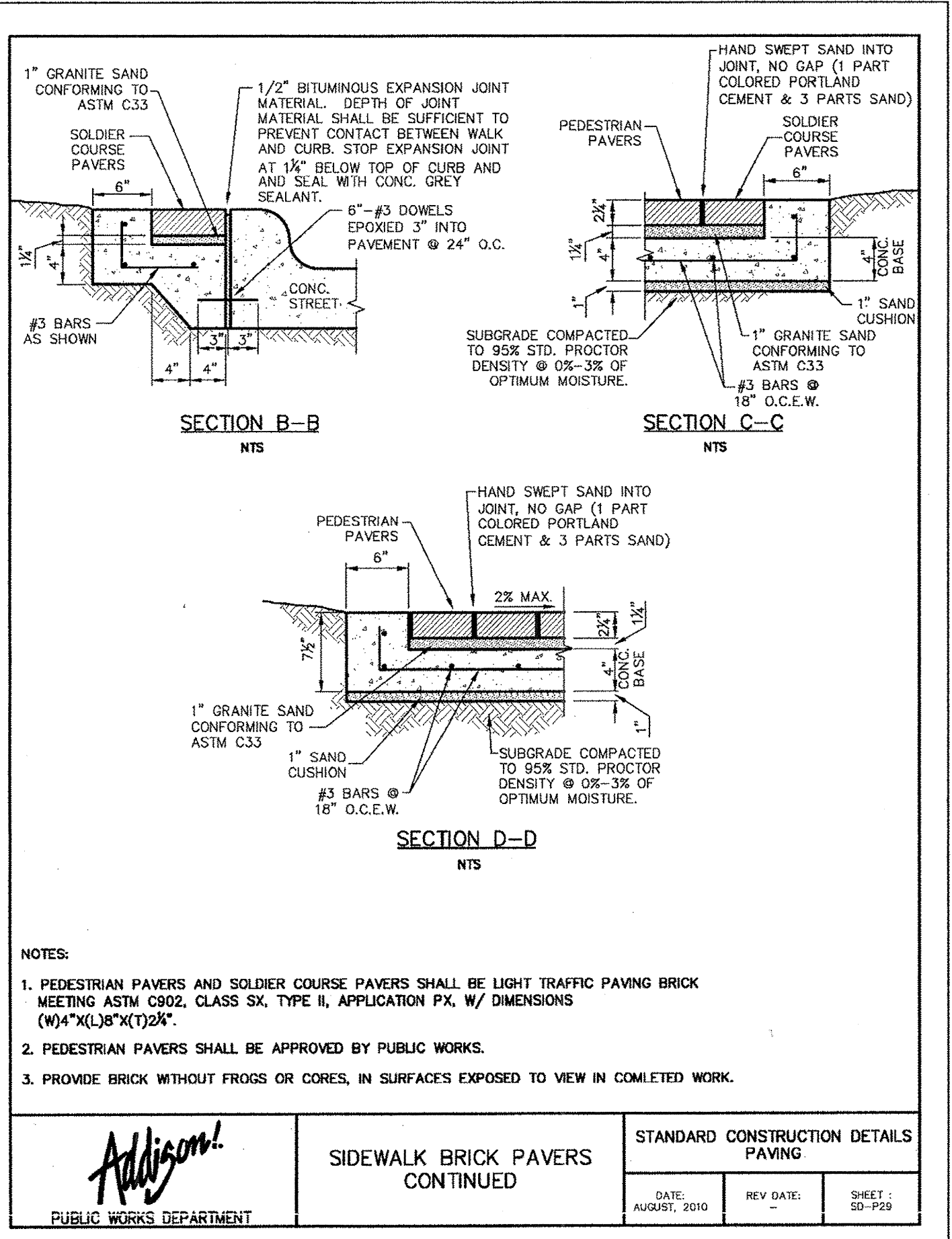
 PUBLIC WORKS DEPARTMENT	SIDEWALK WIDENING REQUIRED AROUND OBSTACLE IN SIDEWALKS ADJACENT TO CURB	STANDARD CONSTRUCTION DETAILS PAVING		
		DATE: AUGUST, 2010	REV DATE: -	SHEET: 50-925



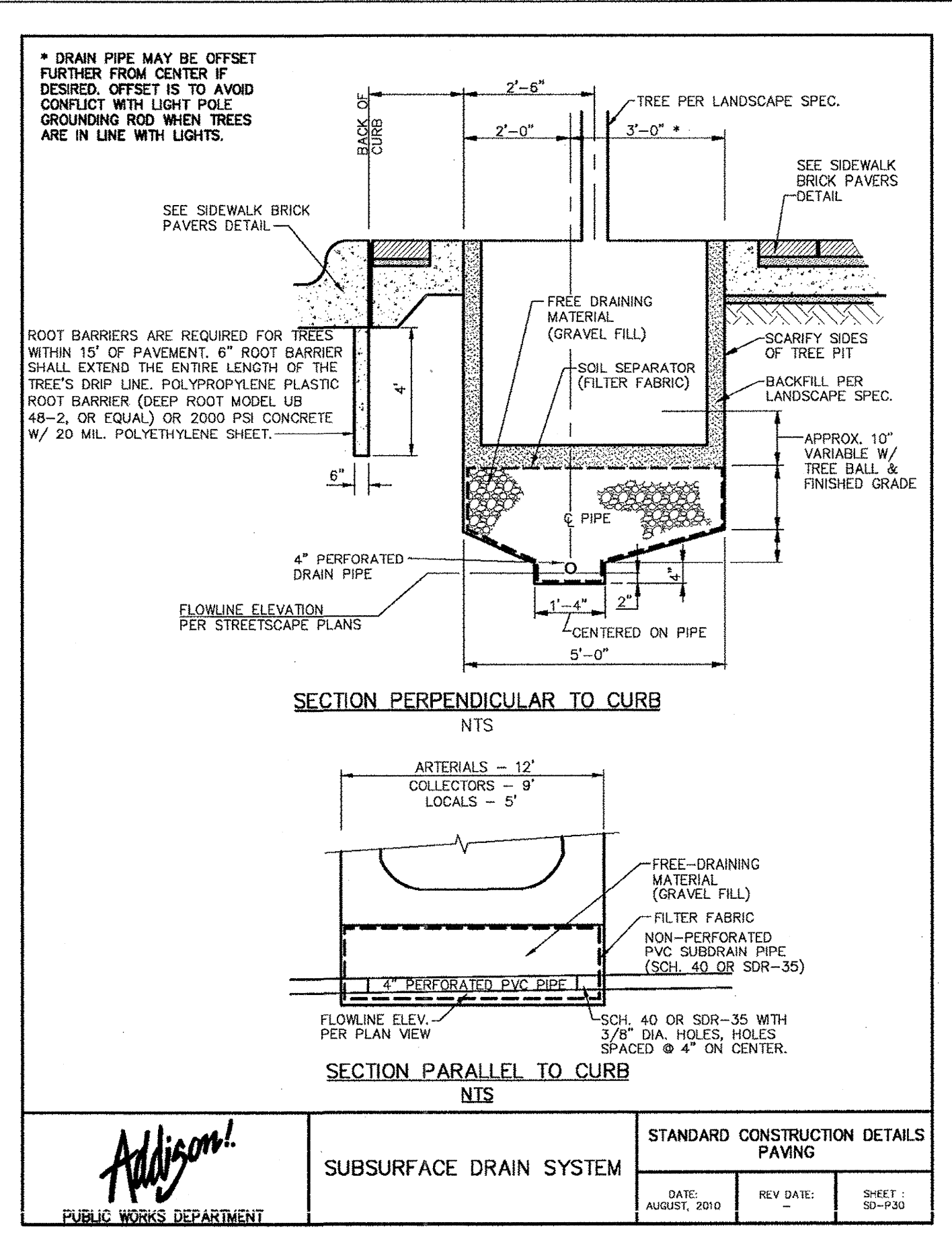
 PUBLIC WORKS DEPARTMENT	CONCRETE SIDEWALK	STANDARD CONSTRUCTION DETAILS PAVING		
		DATE: AUGUST, 2010	REV DATE: -	SHEET: 50-928



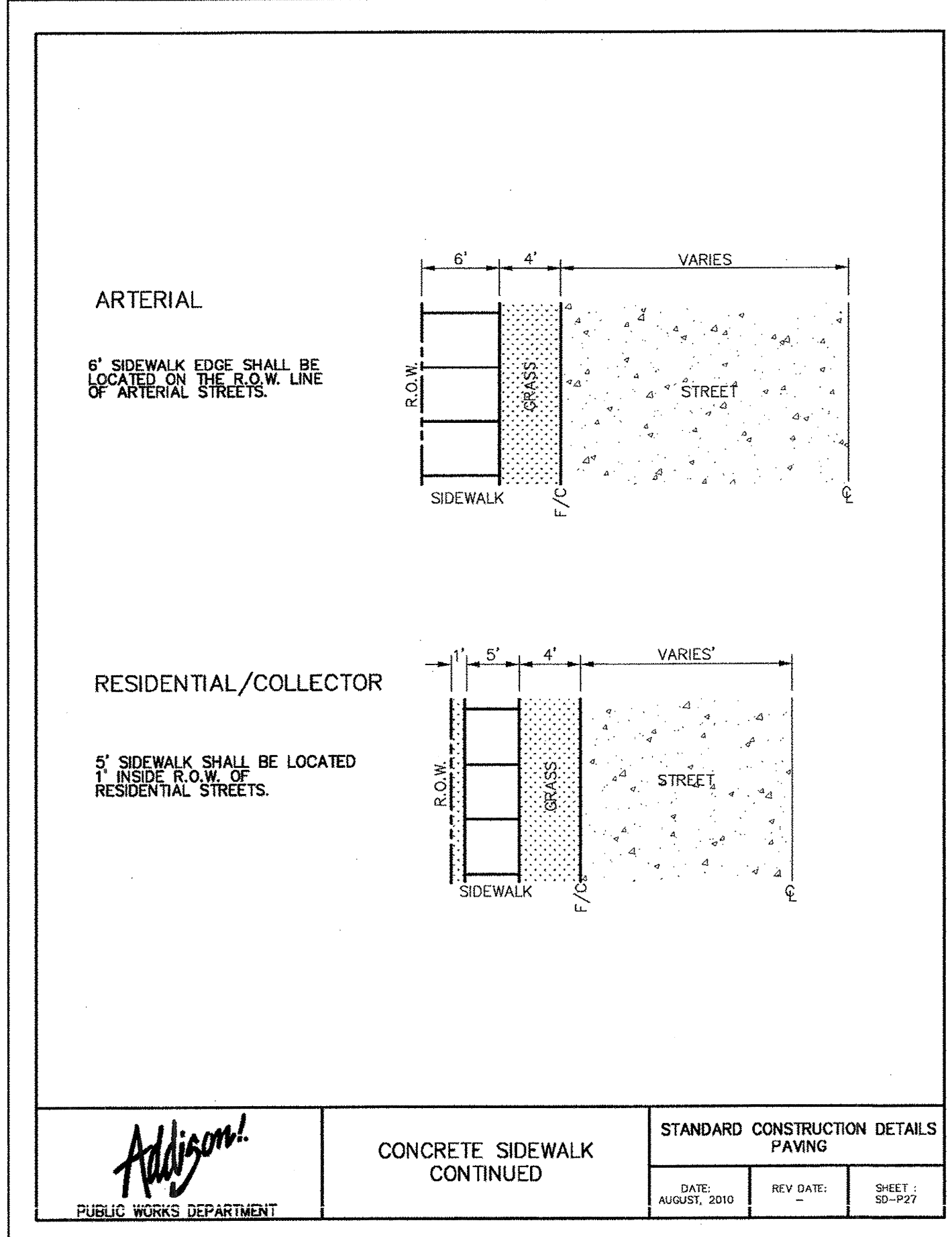
 PUBLIC WORKS DEPARTMENT	SIDEWALK BRICK PAVERS	STANDARD CONSTRUCTION DETAILS PAVING		
		DATE: AUGUST, 2010	REV DATE: -	SHEET: 50-928



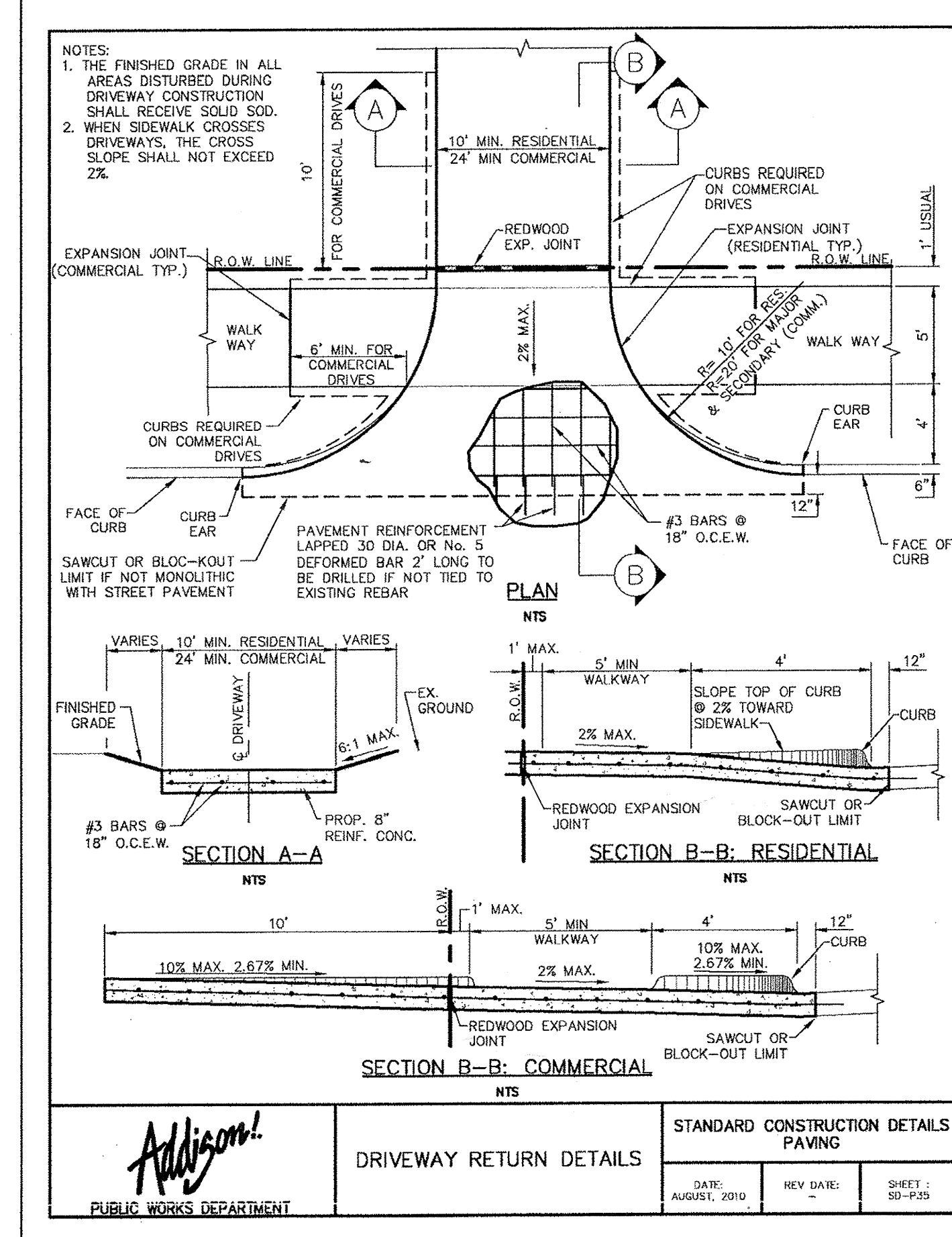
 PUBLIC WORKS DEPARTMENT	SIDEWALK BRICK PAVERS CONTINUED	STANDARD CONSTRUCTION DETAILS PAVING		
		DATE: AUGUST, 2010	REV DATE: -	SHEET: 50-929



 PUBLIC WORKS DEPARTMENT	SUBSURFACE DRAIN SYSTEM	STANDARD CONSTRUCTION DETAILS PAVING		
		DATE: AUGUST, 2010	REV DATE: -	SHEET: 50-930

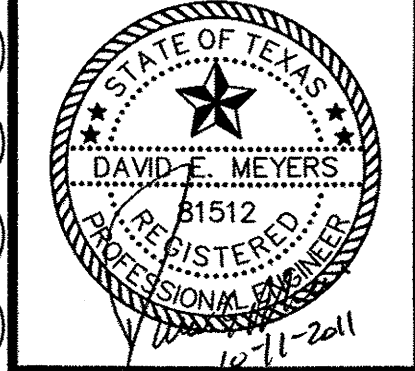


 PUBLIC WORKS DEPARTMENT	CONCRETE SIDEWALK CONTINUED	STANDARD CONSTRUCTION DETAILS PAVING		
		DATE: AUGUST, 2010	REV DATE: -	SHEET: 50-932



 PUBLIC WORKS DEPARTMENT	DRIVEWAY RETURN DETAILS	STANDARD CONSTRUCTION DETAILS PAVING		
		DATE: AUGUST, 2010	REV DATE: -	SHEET: 50-933

Kimley-Horn and Associates, Inc.
 2700 W. Loop South, Suite 800
 Dallas, TX 75249-6515 972-770-7800
 Fax: 972-770-7801
 E-mail: kha@kha.com



Keller Springs Lofts
 Loft Apartments in Addison
 Town of Addison, Texas

PAVING DETAILS

DATE: OCTOBER 11, 2011
 DESIGN: KHA
 DRAWN: KHA
 CHECKED: KHA
 KHA NO.: 064362003
 CITY NO.:
 SHEET
 C12a