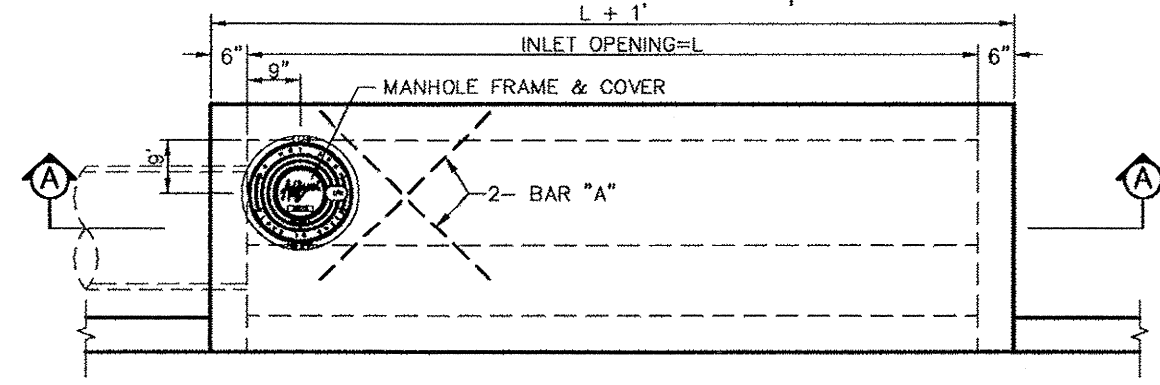
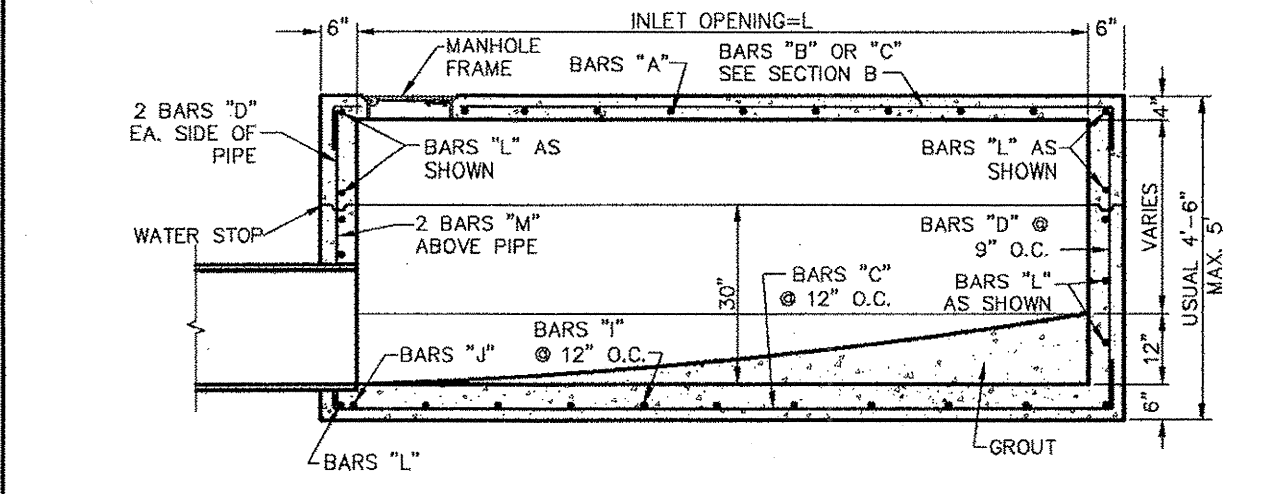


NOTE: REINFORCEMENT SHOWN IS ADDITIONAL FOR SPECIAL CONDITION, FOR REMAINDER OF REINFORCEMENT SEE SECTIONS.



PLAN-STANDARD INLET
NTS



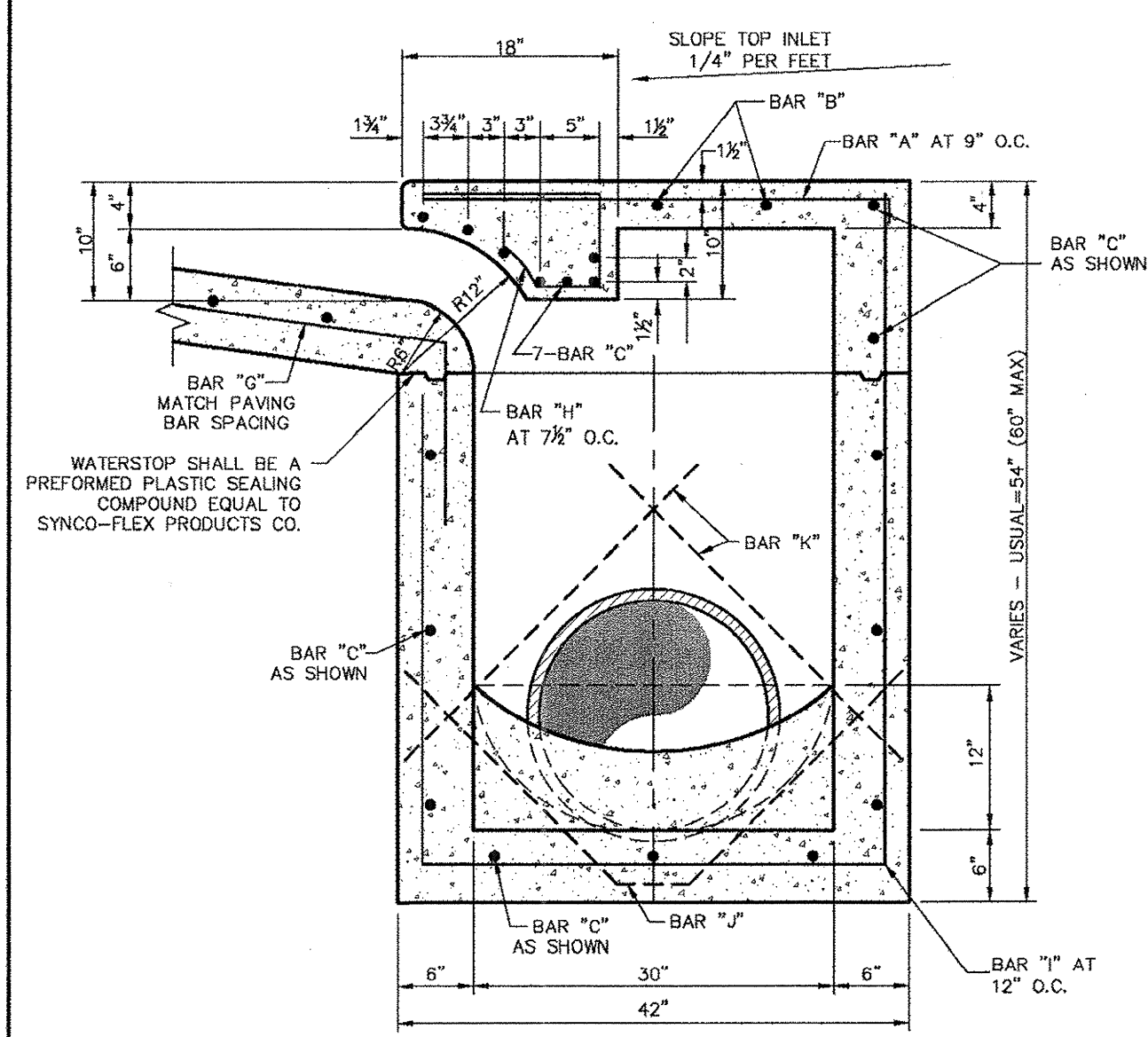
SECTION A
NTS

Addison!
PUBLIC WORKS DEPARTMENT

STANDARD CURB INLET 4, 6, 8 & 10 FOOT INLETS

STANDARD CONSTRUCTION DETAILS
STORM DRAINAGE

DATE: AUGUST, 2010 REV DATE: SHEET: SD-012



SECTION "B"
NTS

Addison!
PUBLIC WORKS DEPARTMENT

TYPICAL SECTION "B" STANDARD & RECESSED CURB INLETS (4, 6, 8 & 10 FOOT INLETS)

STANDARD CONSTRUCTION DETAILS
STORM DRAINAGE

DATE: AUGUST, 2010 REV DATE: SHEET: SD-013

REINFORCING STEEL SCHEDULE
DIMENSIONS SHOWN ARE FOR MAXIMUM SIZE INLET

INLET LENGTH	BAR TYPE	BAR DIA. (1/8")	NO REQ'D	BAR DIMENSIONS		
				A	B	C
4'	A	3	6	3'-2"	0'-3"	-
	B	3	2	2'-10"	0'-6"	-
	C	4	18	4'-8"	0'-6"	-
	D	4	9	4'-8"	-	-
	G	3	4	2'-0"	1'-3"	-
	H	3	7	-	-	-
	I	4	3	3'-2"	3'-2"	4'-8"
	J	5	1	-	-	-
	K	5	2	3'-2"	0'-6"	-
	L	4	11	3'-2"	0'-6"	-
	M	4	2	3'-0"	-	-
6'	A	3	9	3'-2"	0'-3"	-
	B	3	2	4'-10"	0'-6"	-
	C	4	18	6'-8"	0'-6"	-
	D	4	9	4'-8"	-	-
	G	3	6	2'-0"	1'-3"	-
	H	3	11	4'-8"	-	-
	I	4	5	3'-2"	3'-2"	4'-8"
	J	5	1	-	-	-
	K	5	2	3'-2"	0'-6"	-
	L	4	11	3'-2"	0'-6"	-
	M	4	2	3'-0"	-	-
8'	A	3	12	3'-2"	0'-3"	-
	B	3	2	6'-10"	0'-6"	-
	C	4	18	8'-8"	0'-6"	-
	D	4	9	4'-8"	-	-
	G	3	7	2'-0"	1'-3"	-
	H	3	14	-	-	-
	I	4	7	3'-2"	3'-2"	4'-8"
	J	5	1	-	-	-
	K	5	2	3'-2"	0'-6"	-
	L	4	11	3'-2"	0'-6"	-
	M	4	2	3'-0"	-	-
10'	A	3	15	3'-2"	0'-3"	-
	B	3	2	8'-10"	0'-6"	-
	C	4	18	10'-8"	0'-6"	-
	D	4	9	4'-8"	-	-
	G	3	9	2'-0"	1'-3"	-
	H	3	17	-	-	-
	I	4	9	3'-2"	3'-2"	4'-8"
	J	5	1	-	-	-
	K	5	2	3'-2"	0'-6"	-
	L	4	11	3'-2"	0'-6"	-
	M	4	2	3'-0"	-	-

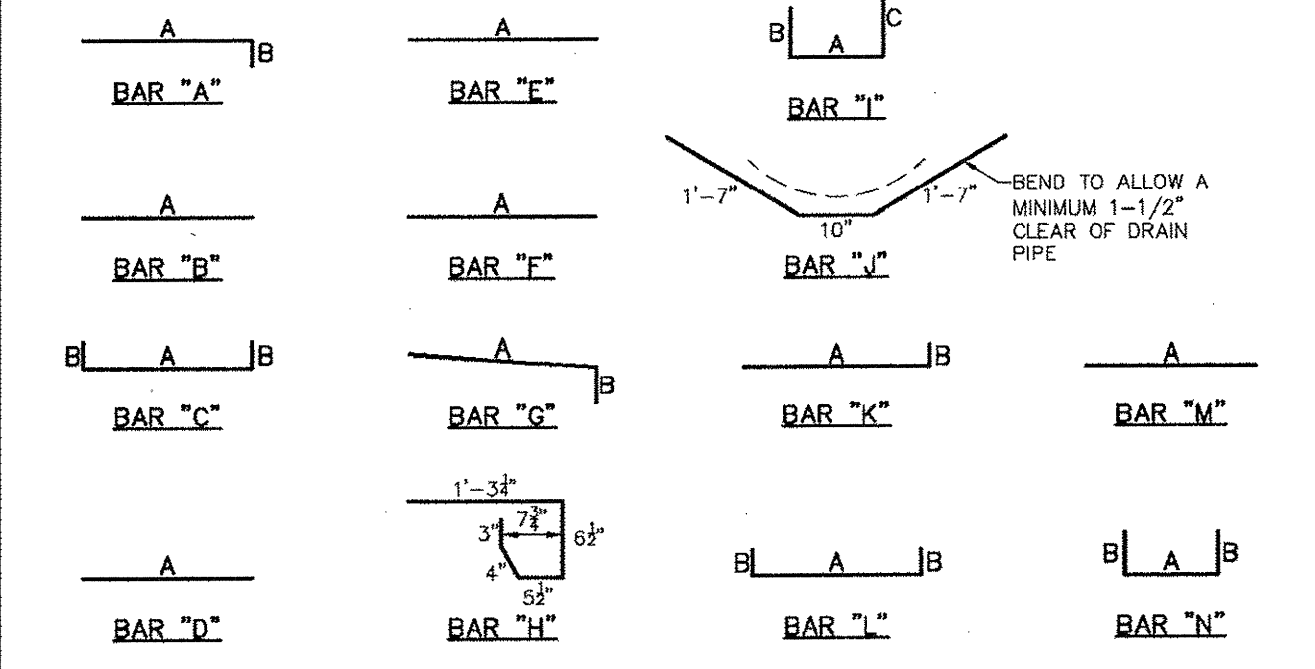
* SEE DIAGRAM FOR DIMENSIONS
** FIELD CUT AS REQUIRED TO ACCOMMODATE DRAIN PIPE

Addison!
PUBLIC WORKS DEPARTMENT

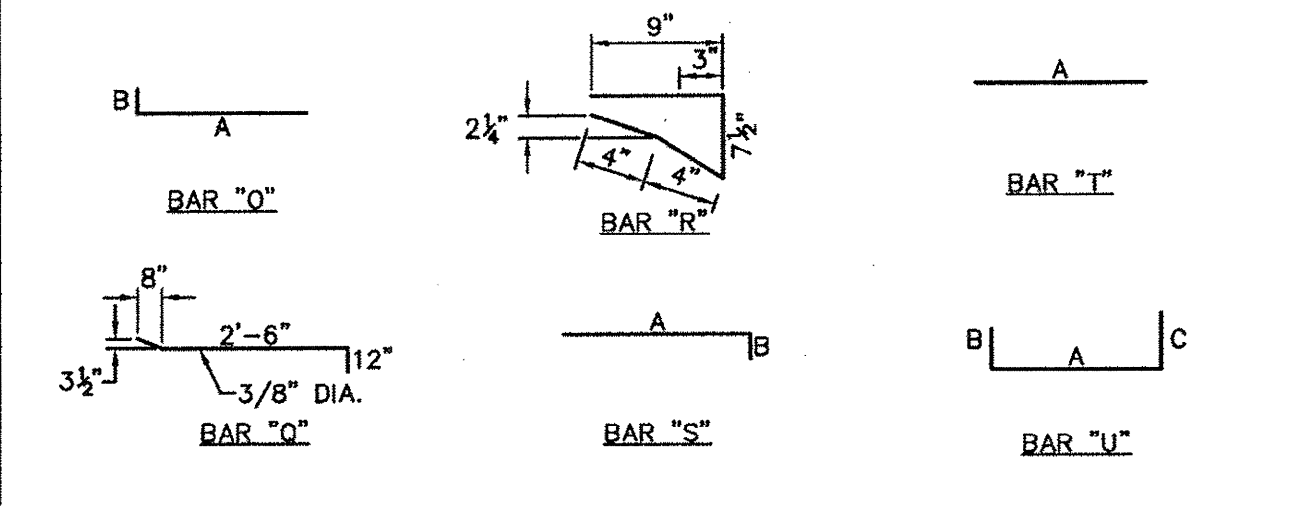
REINFORCING STEEL SCHEDULE 4, 6, 8 & 10 FOOT INLETS

STANDARD CONSTRUCTION DETAILS
STORM DRAINAGE

DATE: AUGUST, 2010 REV DATE: SHEET: SD-014



REINFORCING BAR DIAGRAMS
NTS



BAR DIAGRAMS (BRICK ON INLET)
NTS

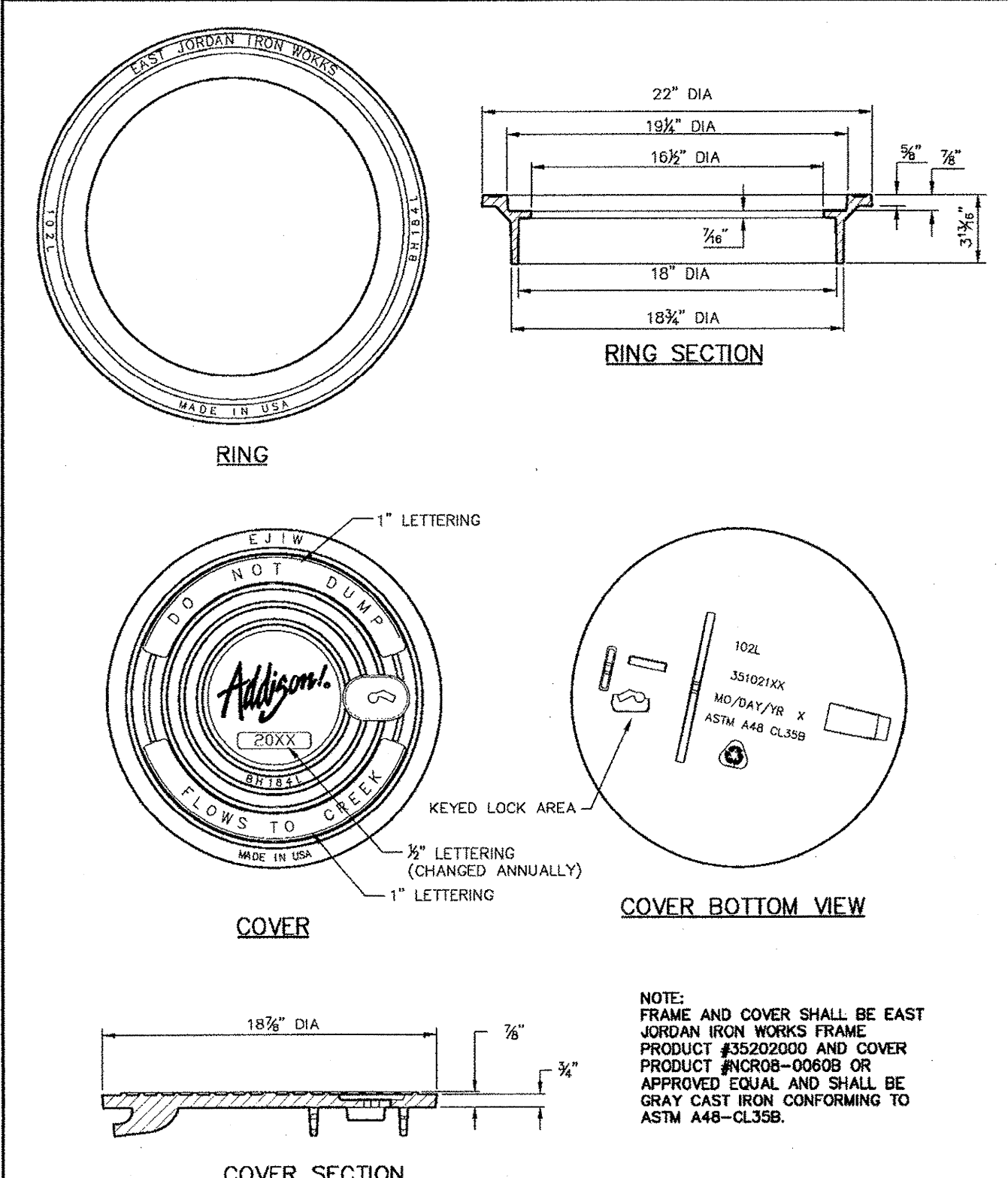
NOTE: BAR DESIGNATIONS AND DIMENSIONS ARE DIFFERENT FROM STEEL SCHEDULE FOR REGULAR INLETS

Addison!
PUBLIC WORKS DEPARTMENT

REINFORCING BAR DIAGRAMS

STANDARD CONSTRUCTION DETAILS
STORM DRAINAGE

DATE: AUGUST, 2010 REV DATE: SHEET: SD-022

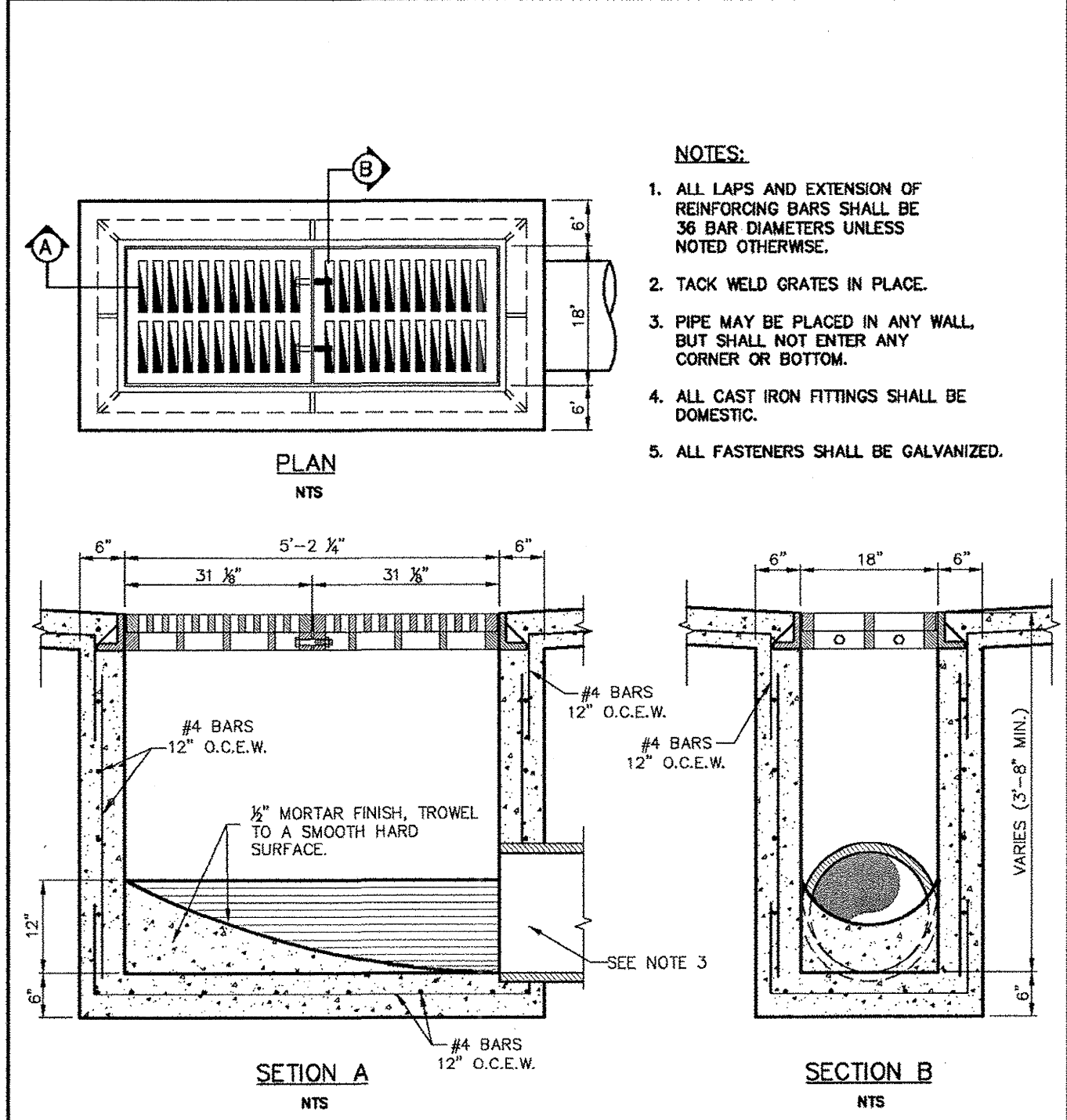


INLET FRAME & COVER

Addison!
PUBLIC WORKS DEPARTMENT

STANDARD CONSTRUCTION DETAILS
STORM DRAINAGE

DATE: AUGUST, 2010 REV DATE: SHEET: SD-024

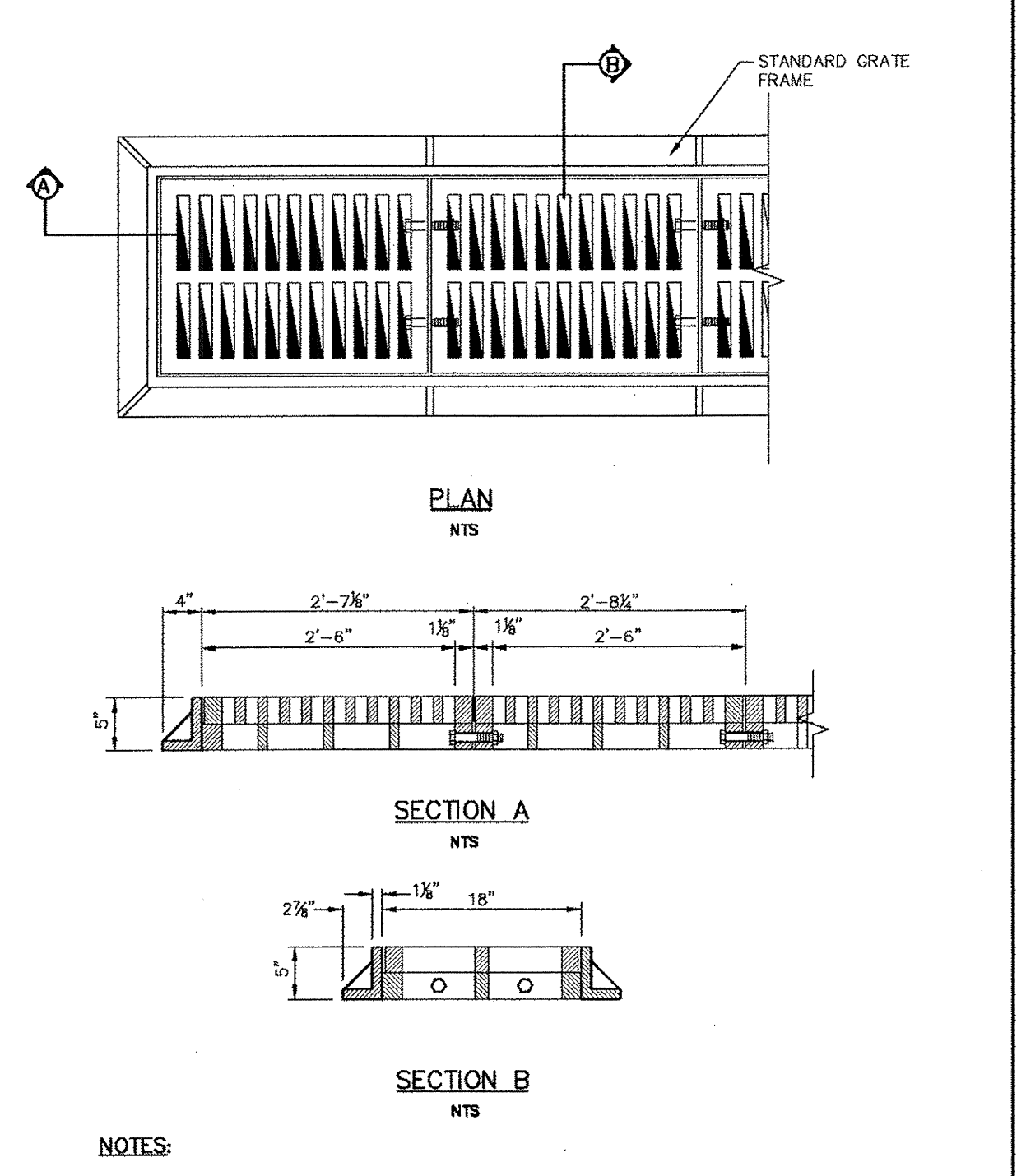


TWO GRATE INLET

Addison!
PUBLIC WORKS DEPARTMENT

STANDARD CONSTRUCTION DETAILS
STORM DRAINAGE

DATE: AUGUST, 2010 REV DATE: SHEET: SD-026

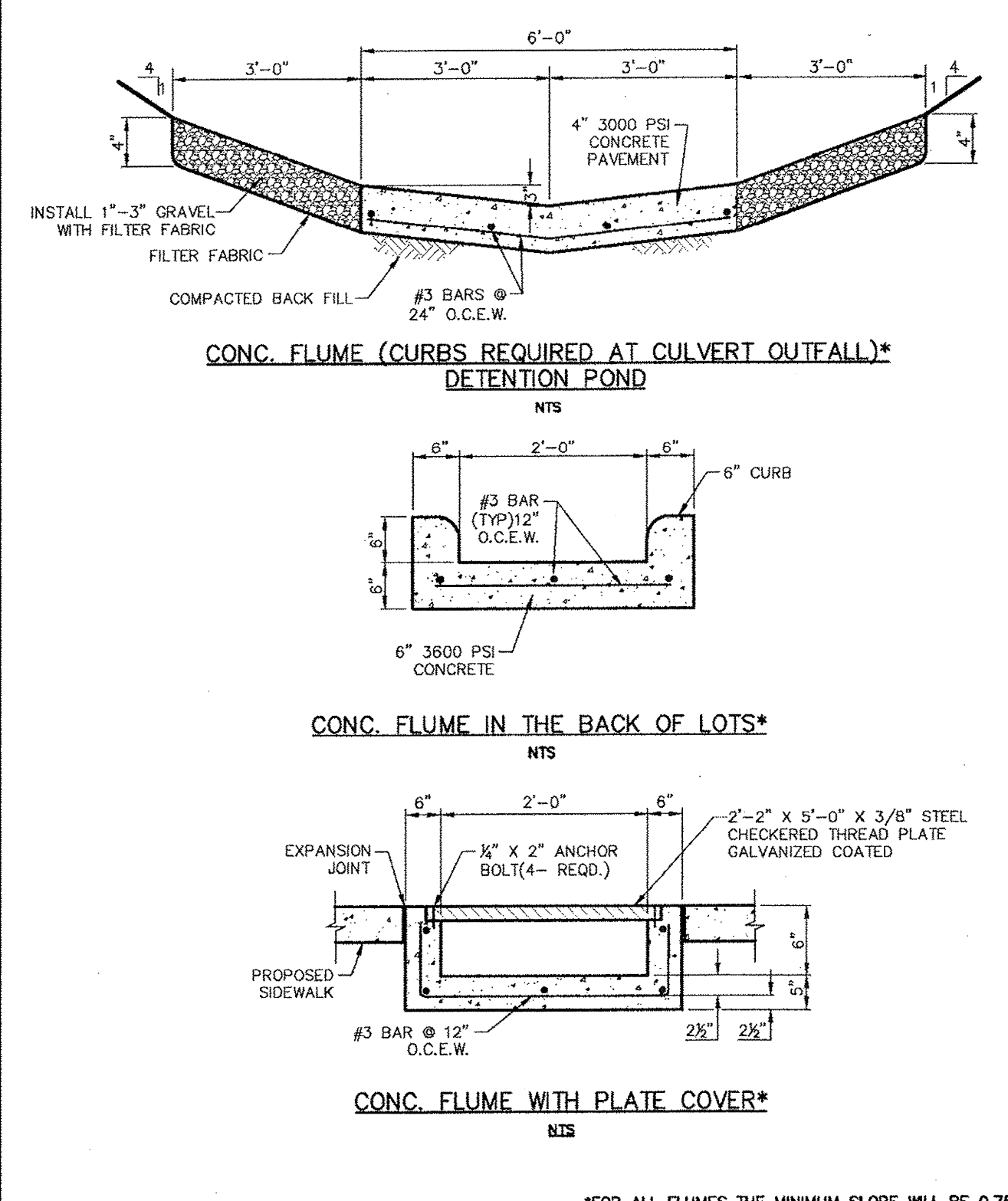


GRATE DETAIL

Addison!
PUBLIC WORKS DEPARTMENT

STANDARD CONSTRUCTION DETAILS
STORM DRAINAGE

DATE: AUGUST, 2010 REV DATE: SHEET: SD-024



STORM RELATED FLUMES

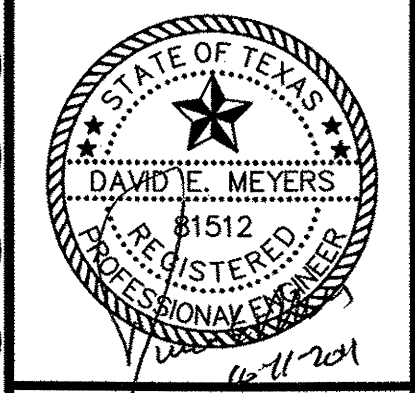
Addison!
PUBLIC WORKS DEPARTMENT

STANDARD CONSTRUCTION DETAILS
STORM DRAINAGE

DATE: AUGUST, 2010 REV DATE: SHEET: SD-025

Kimley-Horn and Associates, Inc.
2700 West Central Expressway, Suite 500
Dallas, TX 75201-5818 972-770-8000
Fax: 972-770-8988

NO. 1
REVISION
TOWN DETAILS
8/26/11



Keller Springs Lofts
Loft Apartments in Addison
Town of Addison, Texas

STORM WATER DETAILS

DATE: OCTOBER 11, 2011
DESIGN: KHA
DRAWN: KHA
CHECKED: KHA
KHA NO.: 064362003
CITY NO.:

SHEET
C14