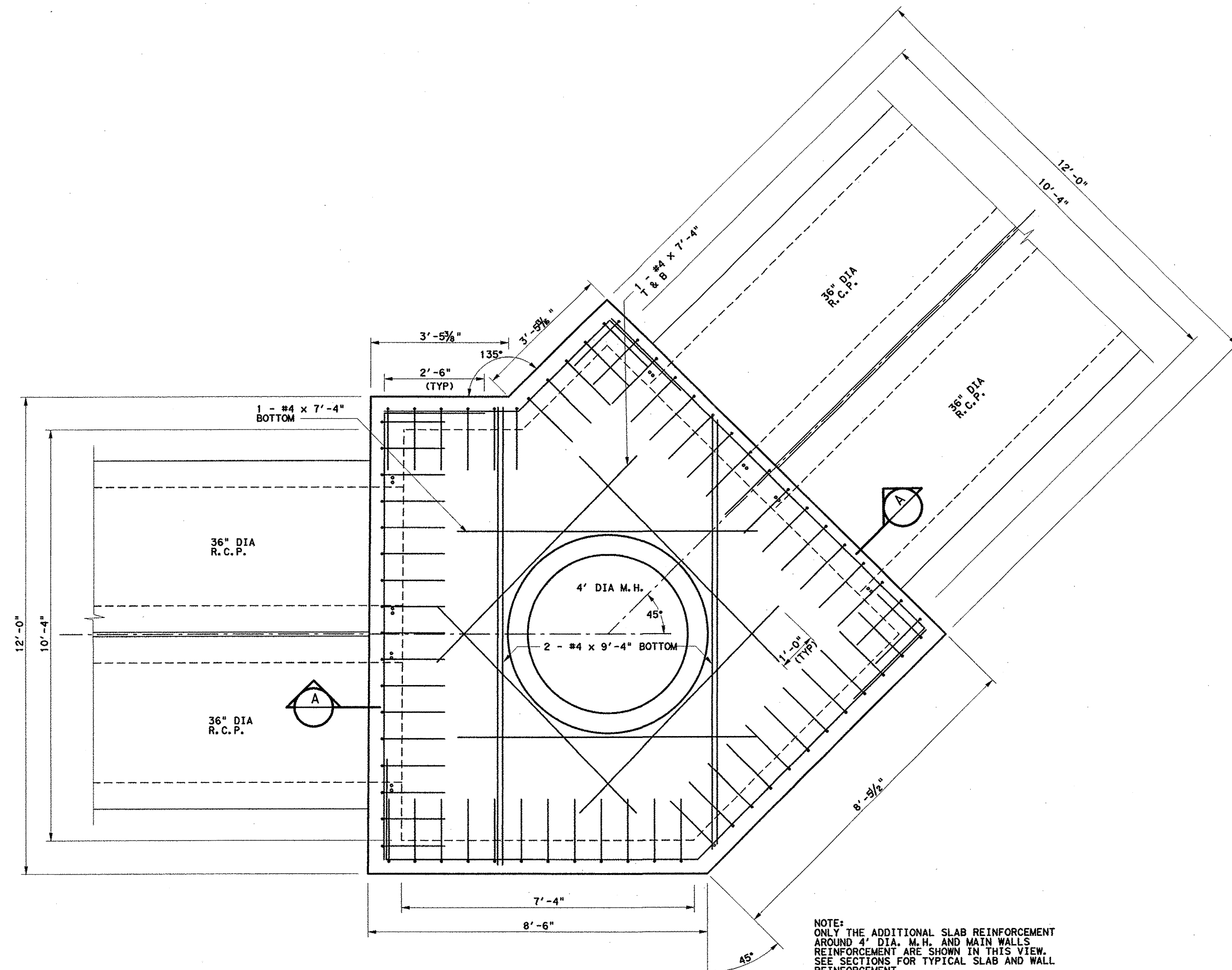
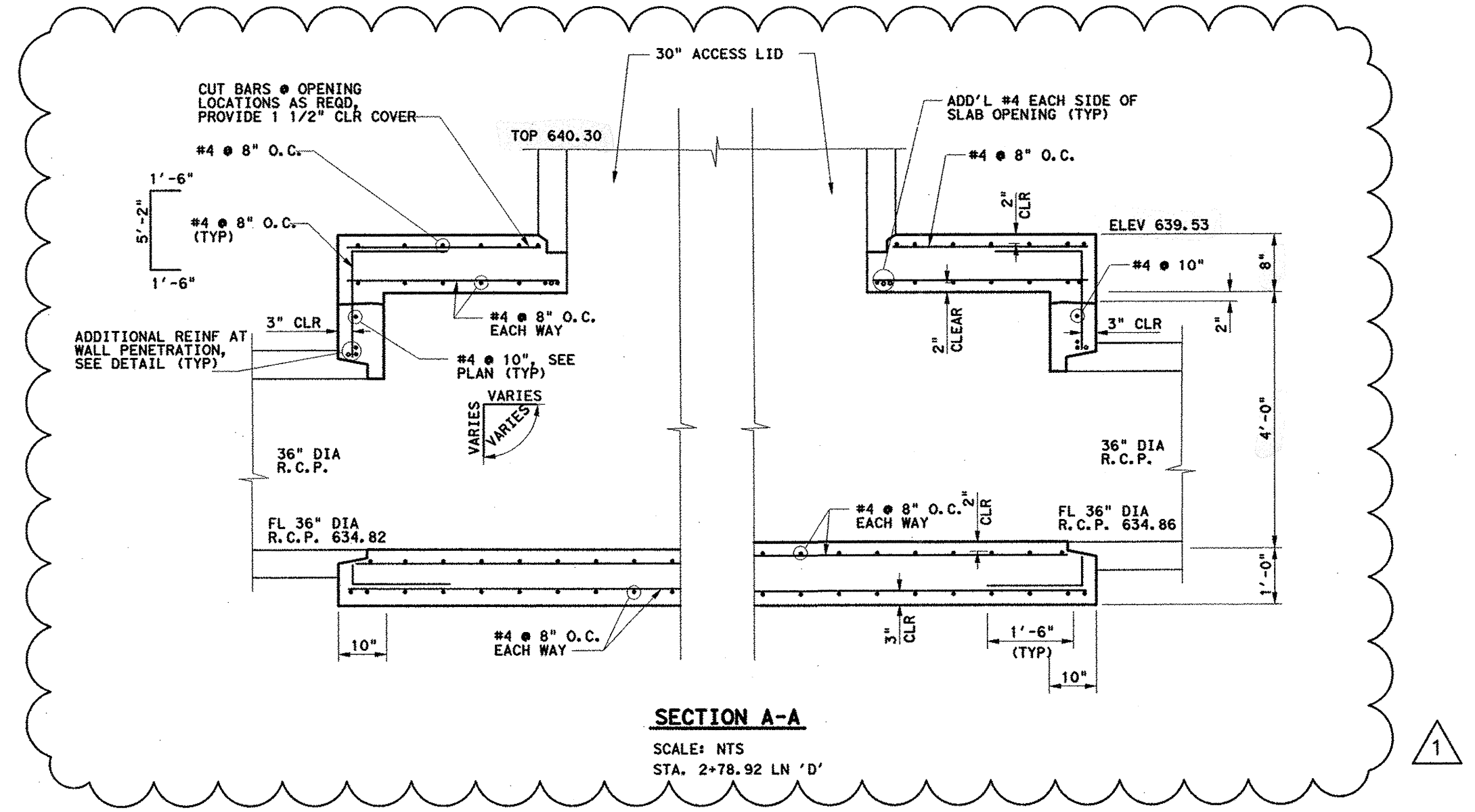


NOTE: SEE SHEET C15 FOR GENERAL NOTES.

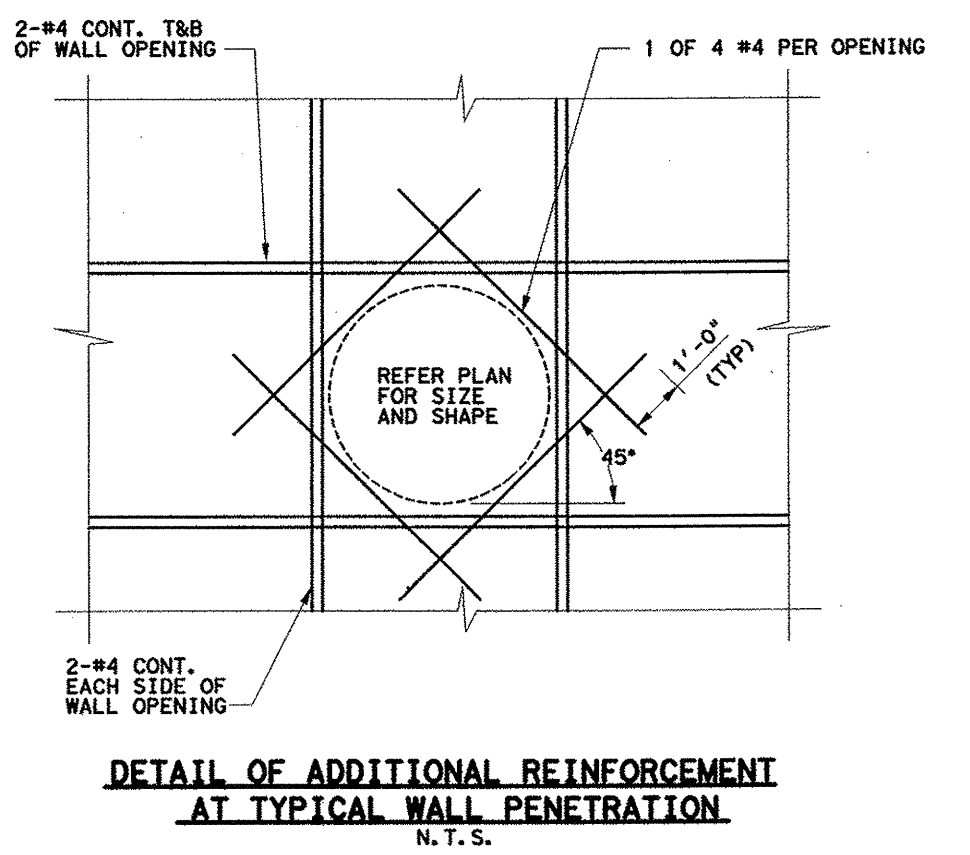


**PLAN VIEW**  
SCALE: 1/2" = 1'-0"  
STA. 2+78.92 LN 'D'

NOTE: ONLY THE ADDITIONAL SLAB REINFORCEMENT AROUND 4' DIA. M.H. AND MAIN WALLS REINFORCEMENT ARE SHOWN IN THIS VIEW. SEE SECTIONS FOR TYPICAL SLAB AND WALL REINFORCEMENT.



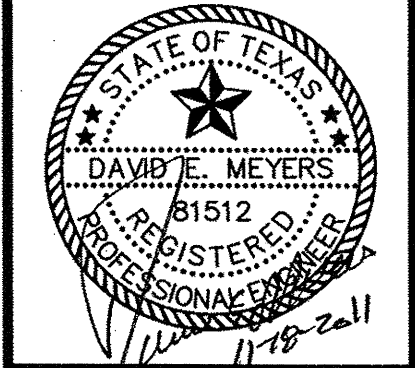
**SECTION A-A**  
SCALE: NTS  
STA. 2+78.92 LN 'D'



**DETAIL OF ADDITIONAL REINFORCEMENT AT TYPICAL WALL PENETRATION**  
N.T.S.

**Kimley-Horn and Associates, Inc.**  
2700 Park Center Drive, Suite 300  
Dallas, TX 75248-8388 972-770-8000  
FAX: 972-770-8000

Revision	Date
1 REVISED STRUCTURE DIMENSIONS	11/17/11



**Keller Springs Lofts**  
**Loft Apartments in Addison**  
Town of Addison, Texas

**JUNCTION STRUCTURE DETAILS**

DATE: NOVEMBER 17, 2011
DESIGN: KHA
DRAWN: KHA
CHECKED: KHA
KHA NO.: 064-362003
CITY NO.: