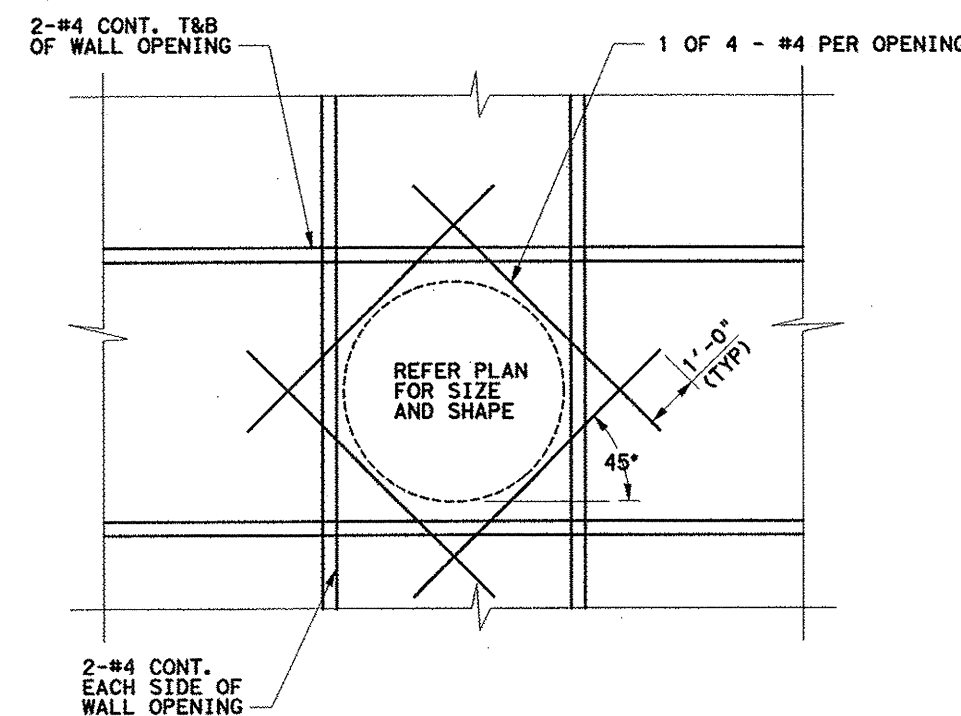


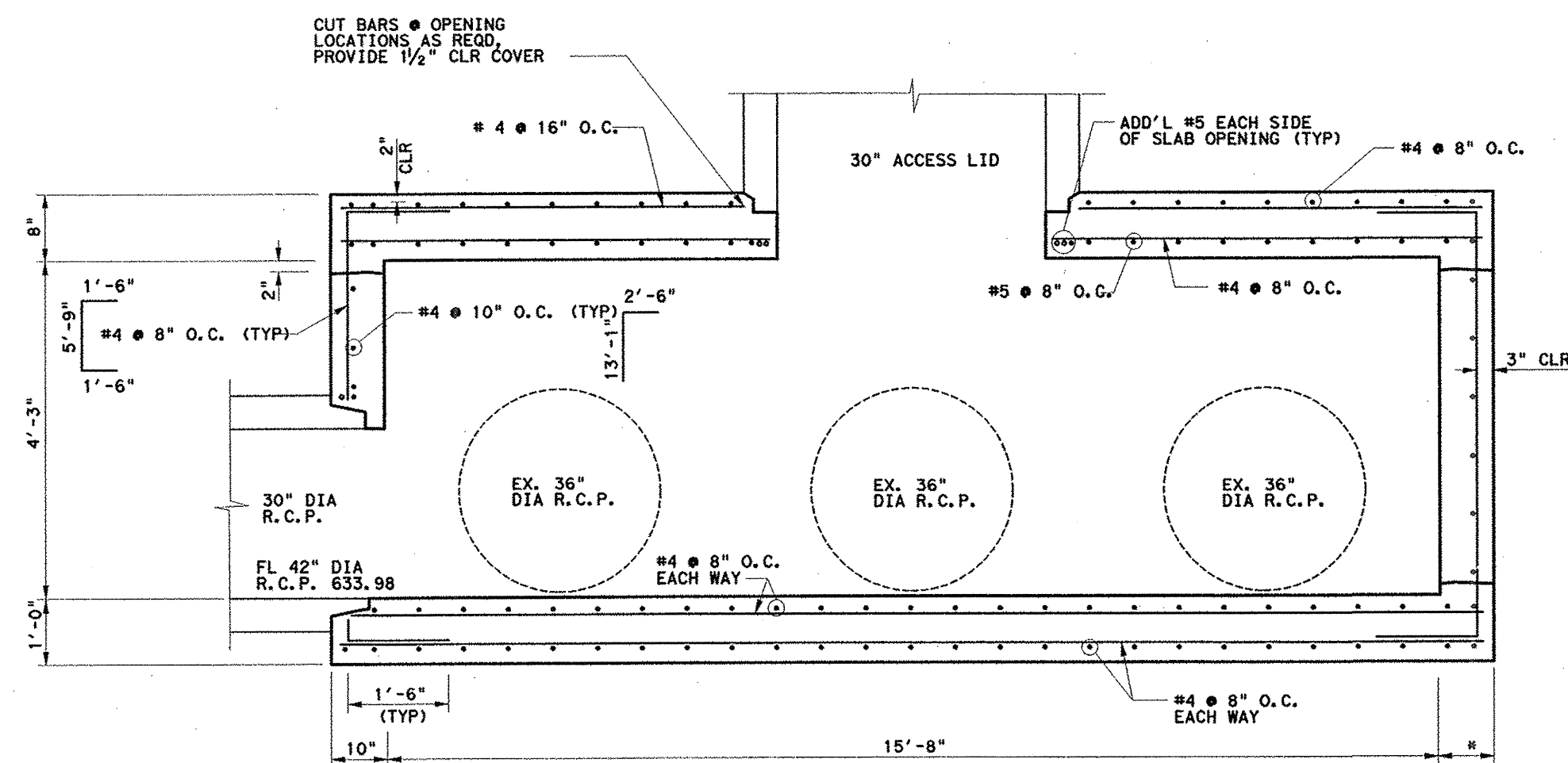
PLAN VIEW
SCALE: 1/4" = 1'-0"
STA. 0+00 LN 'E'

NOTE: ONLY THE ADDITIONAL SLAB REINFORCEMENT AROUND 4" DIA M.H. AND MAIN WALL REINFORCEMENT ARE SHOWN IN THIS VIEW. SEE SECTIONS FOR TYPICAL SLAB AND WALL REINFORCEMENT.

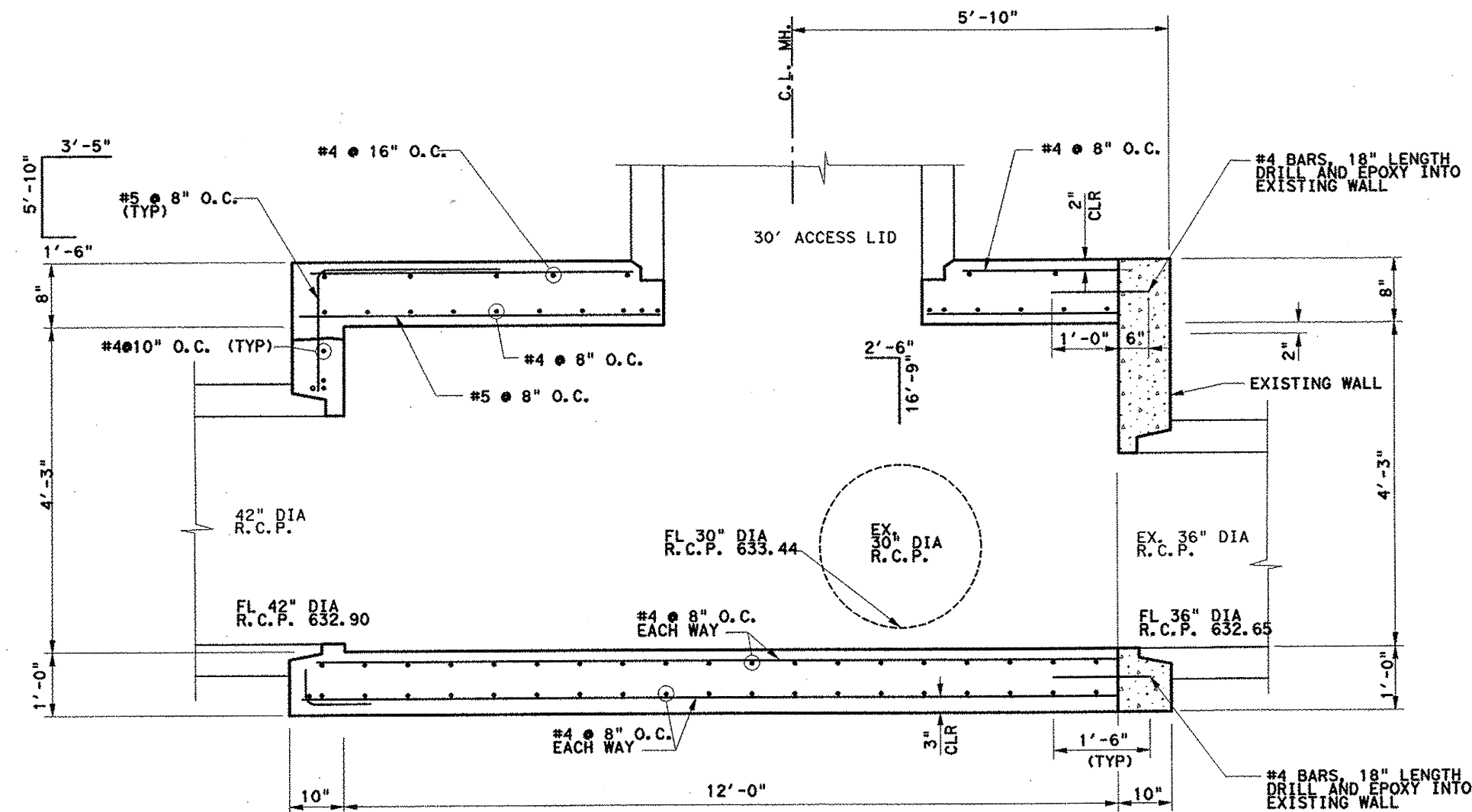


DETAIL OF ADDITIONAL REINFORCEMENT AT TYPICAL WALL PENETRATION
N.T.S.

NOTE: SEE SHEET C15 FOR GENERAL NOTES.



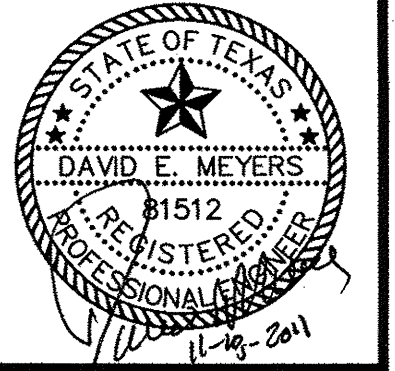
SECTION A-A
SCALE: NTS
STA. 0+00 LN 'E'



SECTION B-B
SCALE: NTS
STA. 0+00 LN 'E'

Kimley-Horn and Associates, Inc.
2700 Park Central Blvd., Suite 300
Dallas, TX 75244
Phone: 972-362-8181
Fax: 972-362-8182

Revision	Date
1	11/17/11
REVISED STRUCTURE DIMENSIONS	



Keller Springs Lofts
Loft Apartments in Addison
Town of Addison, Texas

JUNCTION STRUCTURE DETAILS

DATE: NOVEMBER 17, 2011
DESIGN: KHA
DRAWN: KHA
CHECKED: KHA
KHA NO.: 064362003
CITY NO.: