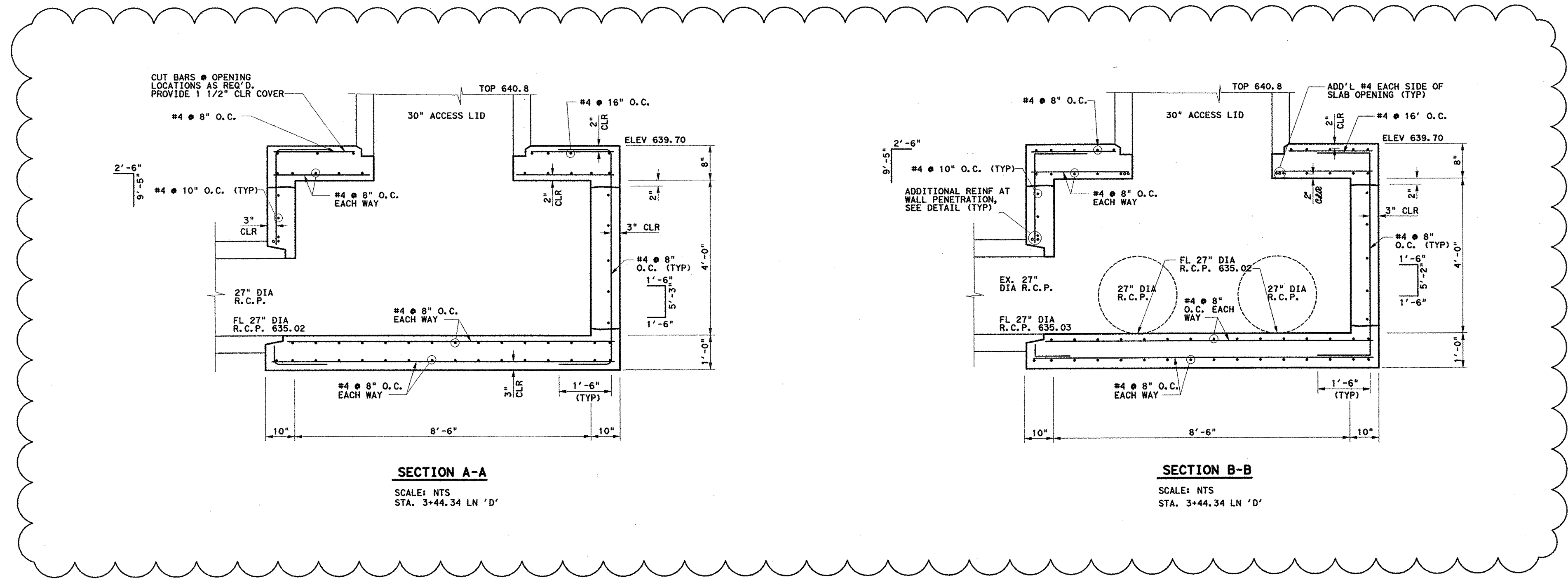
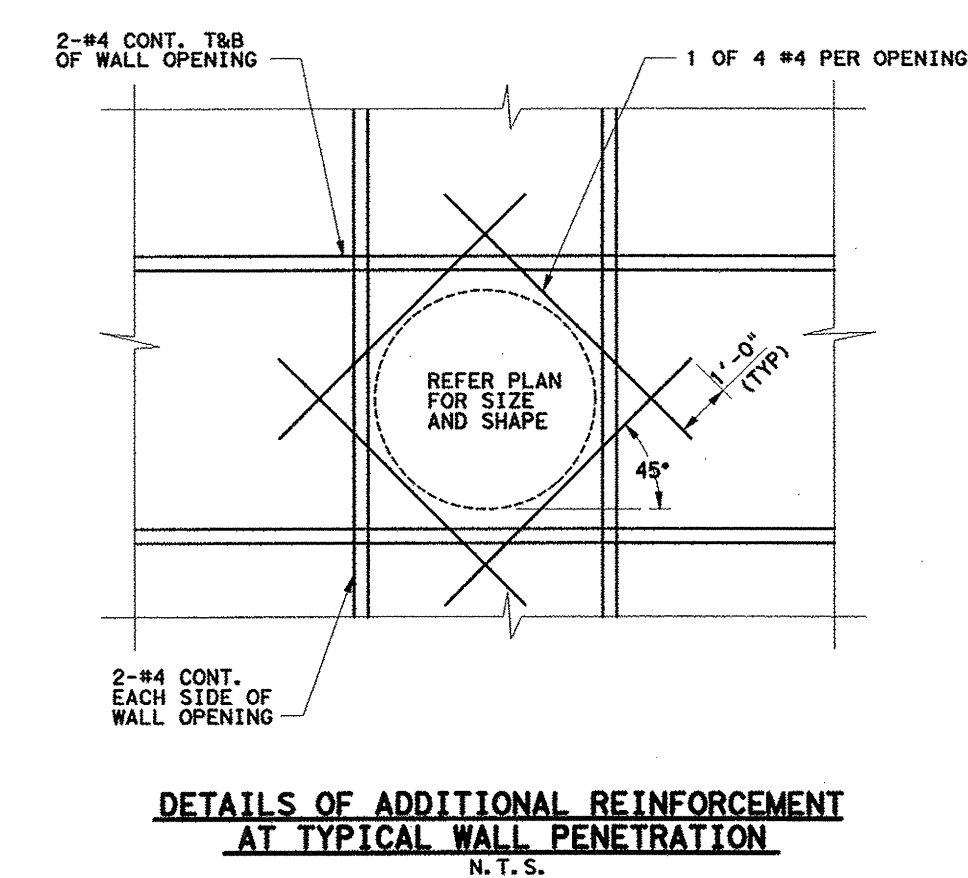
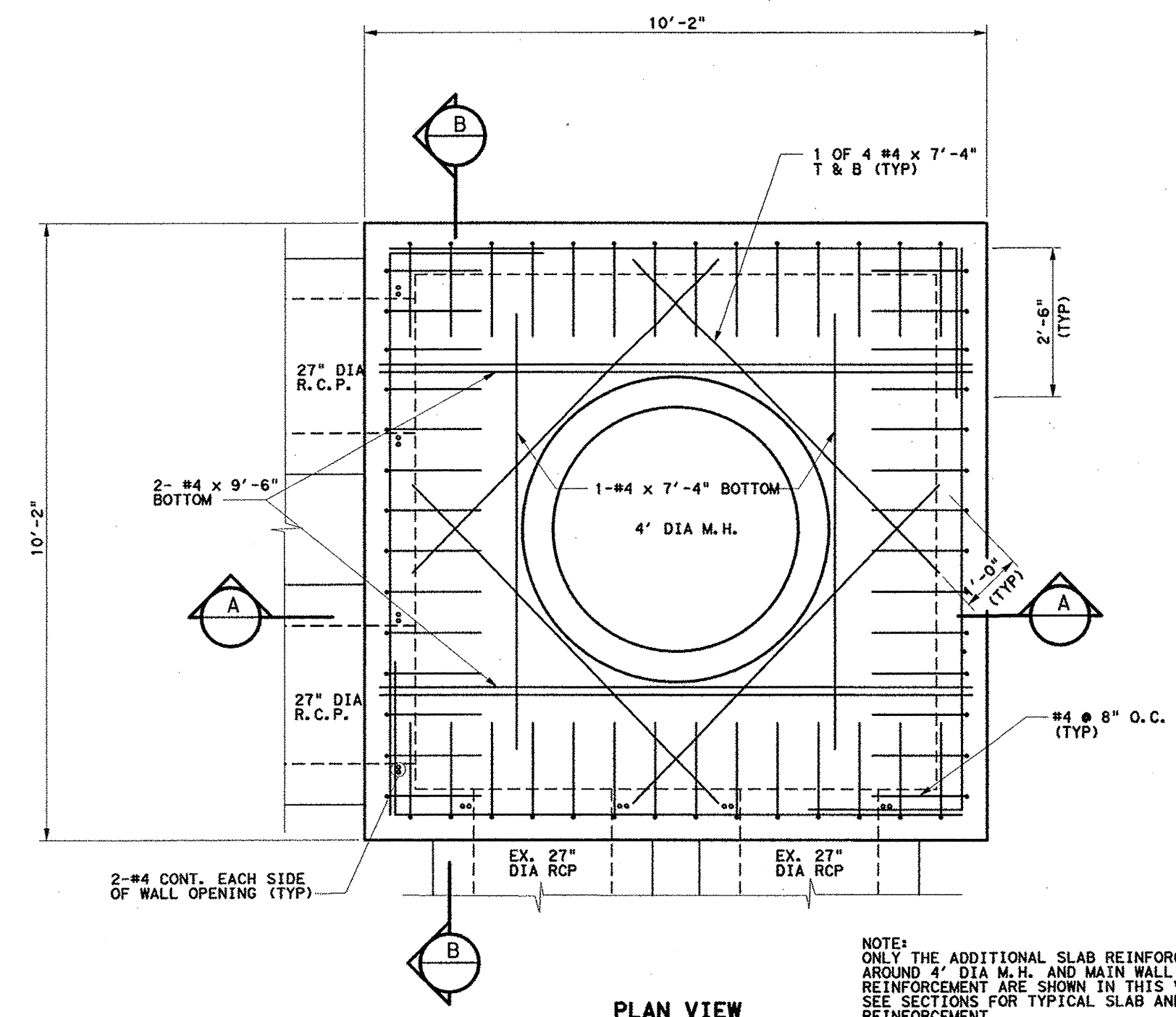
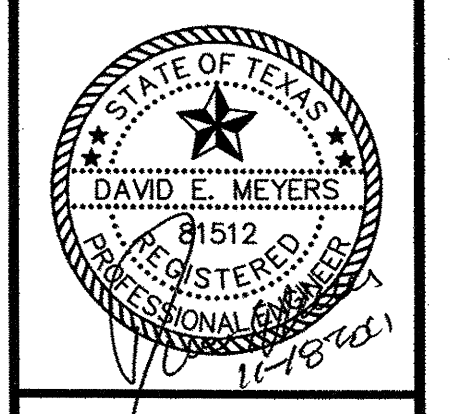


NOTE: SEE SHEET C15 FOR GENERAL NOTES.



Kimley-Horn and Associates, Inc.
2700 W. Camp Lane, Suite 300
Dallas, TX 75241-8818
Phone: 972-770-8800
Fax: 972-770-8801

Revision	Date
1	11/17/11
REVISED STRUCTURE DIMENSIONS	



Keller Springs Lofts
Loft Apartments in Addison
Town of Addison, Texas

JUNCTION STRUCTURE DETAILS

DATE: NOVEMBER 17, 2011
DESIGN: KHA
DRAWN: KHA
CHECKED: KHA
KHA NO.: 064352003
CITY NO.:

SHEET
C20