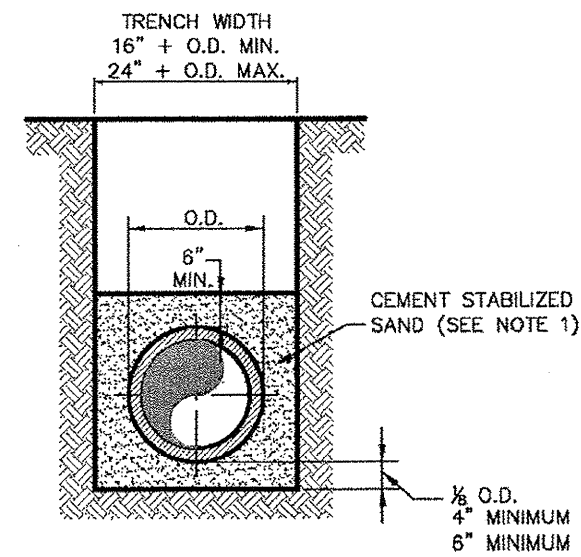


TYPICAL P.V.C. WASTEWATER MAIN EMBEDMENT



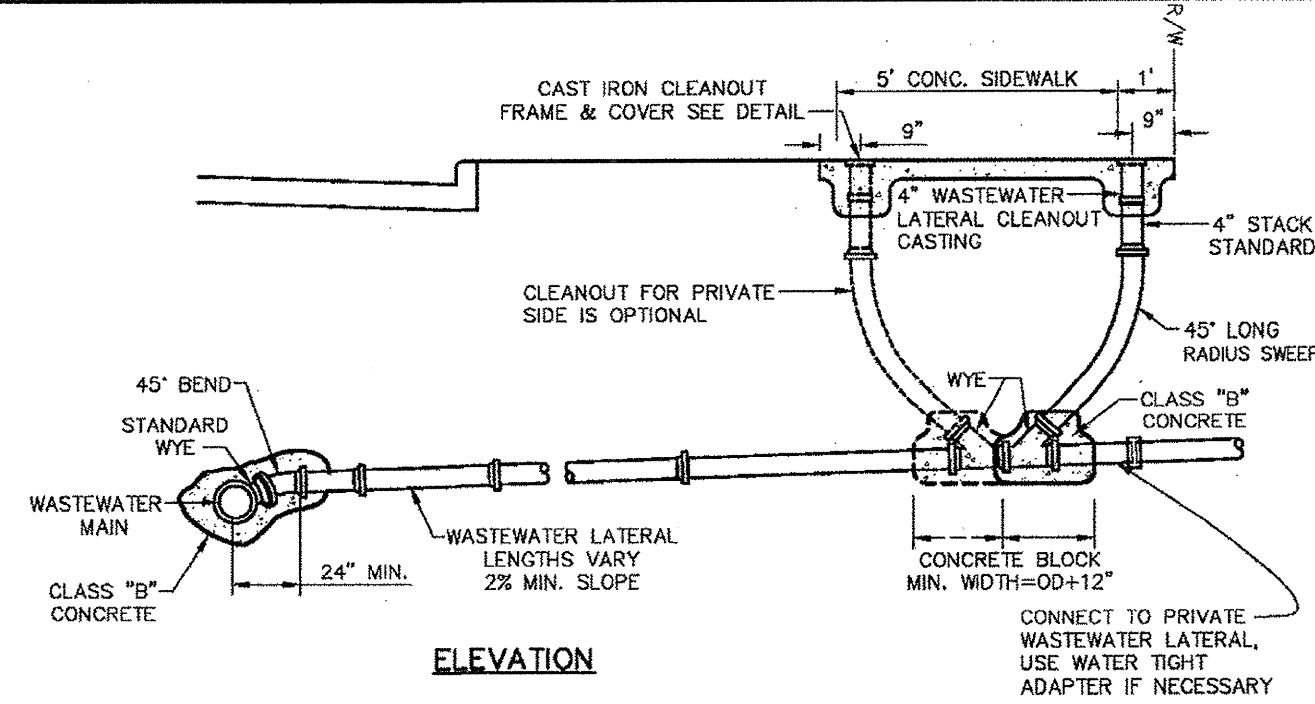
P.V.C. WASTEWATER MAIN CEMENT STABILIZED SAND EMBEDMENT

NOTE:
1. CEMENT STABILIZED SAND SHALL HAVE A MINIMUM OF 10% CEMENT PER CUBIC YARD OF CEMENT STABILIZED SAND MIXTURE, BASED ON LOOSE DRY WEIGHT VOLUME (AT LEAST 2.5 BAGS OF CEMENT PER CUBIC YARD OF MIXTURE). THE USE OF BROWN COLORING IN CEMENT STABILIZED SAND IS REQUIRED FOR PRESSURE RATED WASTEWATER MAIN AND LATERAL BEDDING.

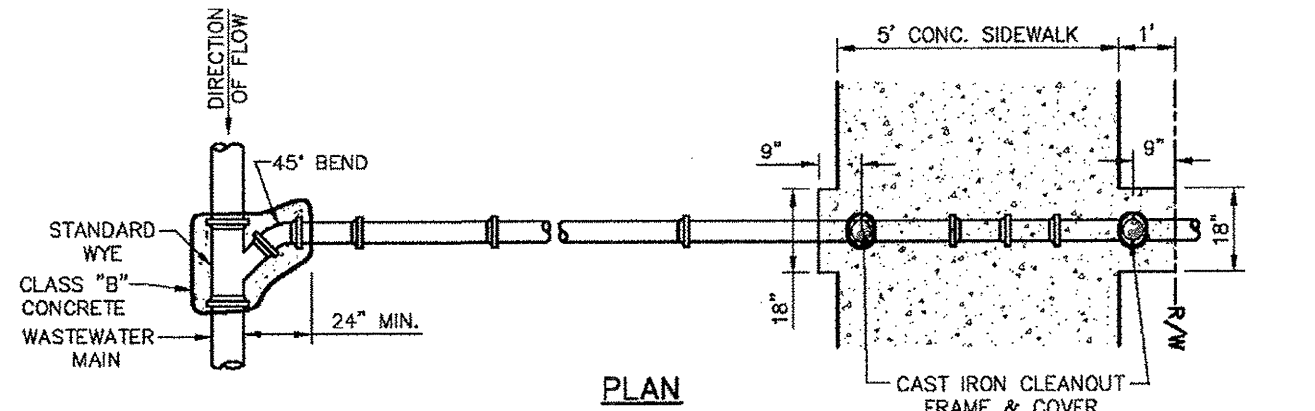
Addison!
PUBLIC WORKS DEPARTMENT

P.V.C. WASTEWATER MAIN EMBEDMENT

STANDARD CONSTRUCTION DETAILS WASTEWATER		
DATE:	REV DATE:	SHEET:
AUGUST, 2010		SD-WW01



ELEVATION



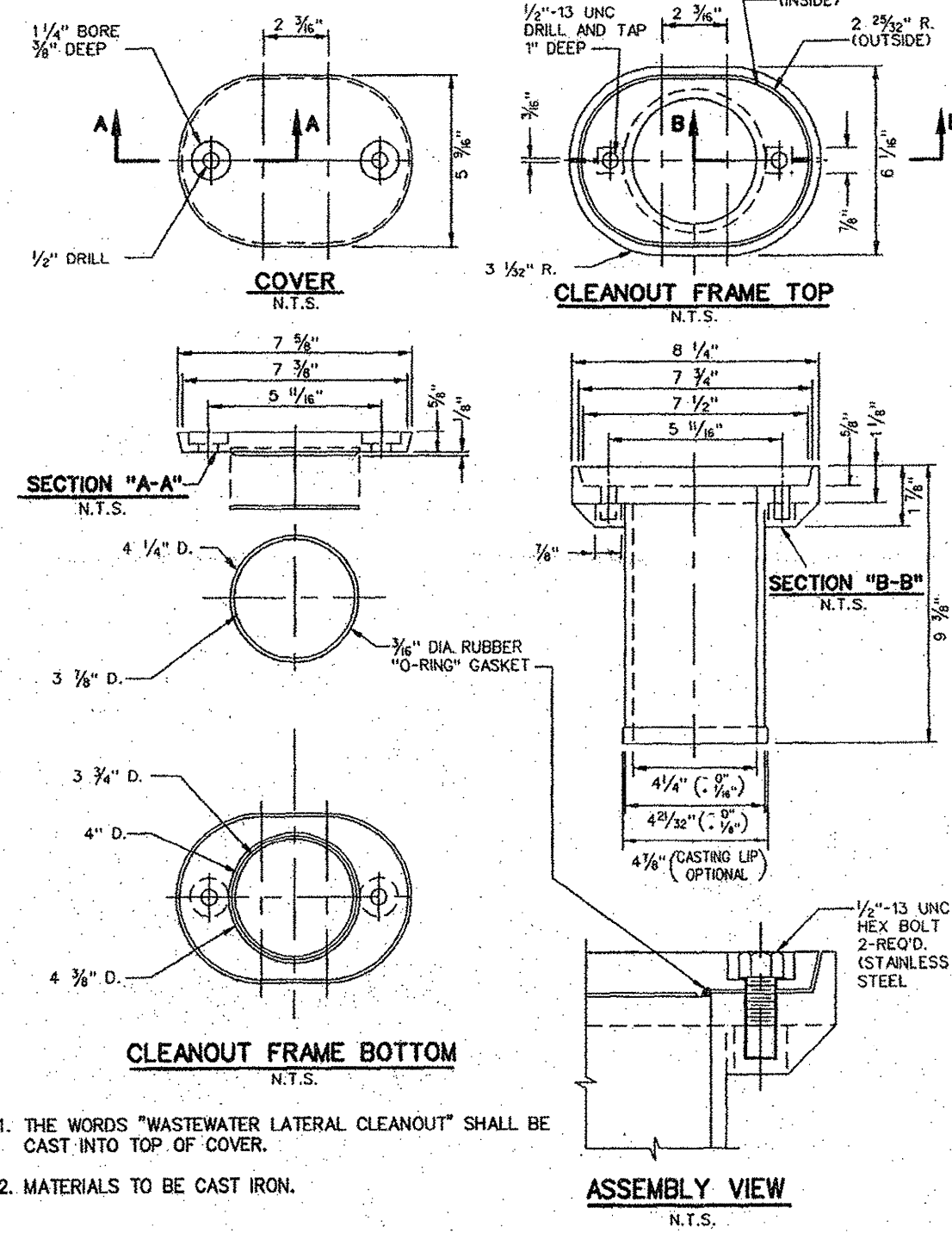
PLAN

NOTES:
1. WASTEWATER LATERALS ARE TO BE CONSTRUCTED TO CLEAR EXISTING AND PROPOSED FACILITIES, SUCH AS STORM DRAIN MAINS, RETAINING WALLS, OTHER UTILITIES, ETC.
2. THE WASTEWATER LATERAL SHALL HAVE MINIMUM COVER OF 4'-0" BELOW THE PROPOSED CURB GRADE AT THE PROPERTY LINE, DETERMINED FROM PAVING GRADE, OR AS REQUIRED TO MAINTAIN A MINIMUM OF 2.0% GRADE, OR AS DIRECTED BY THE OWNER.

Addison!
PUBLIC WORKS DEPARTMENT

TWO-WAY CLEANOUT NEW CONSTRUCTION

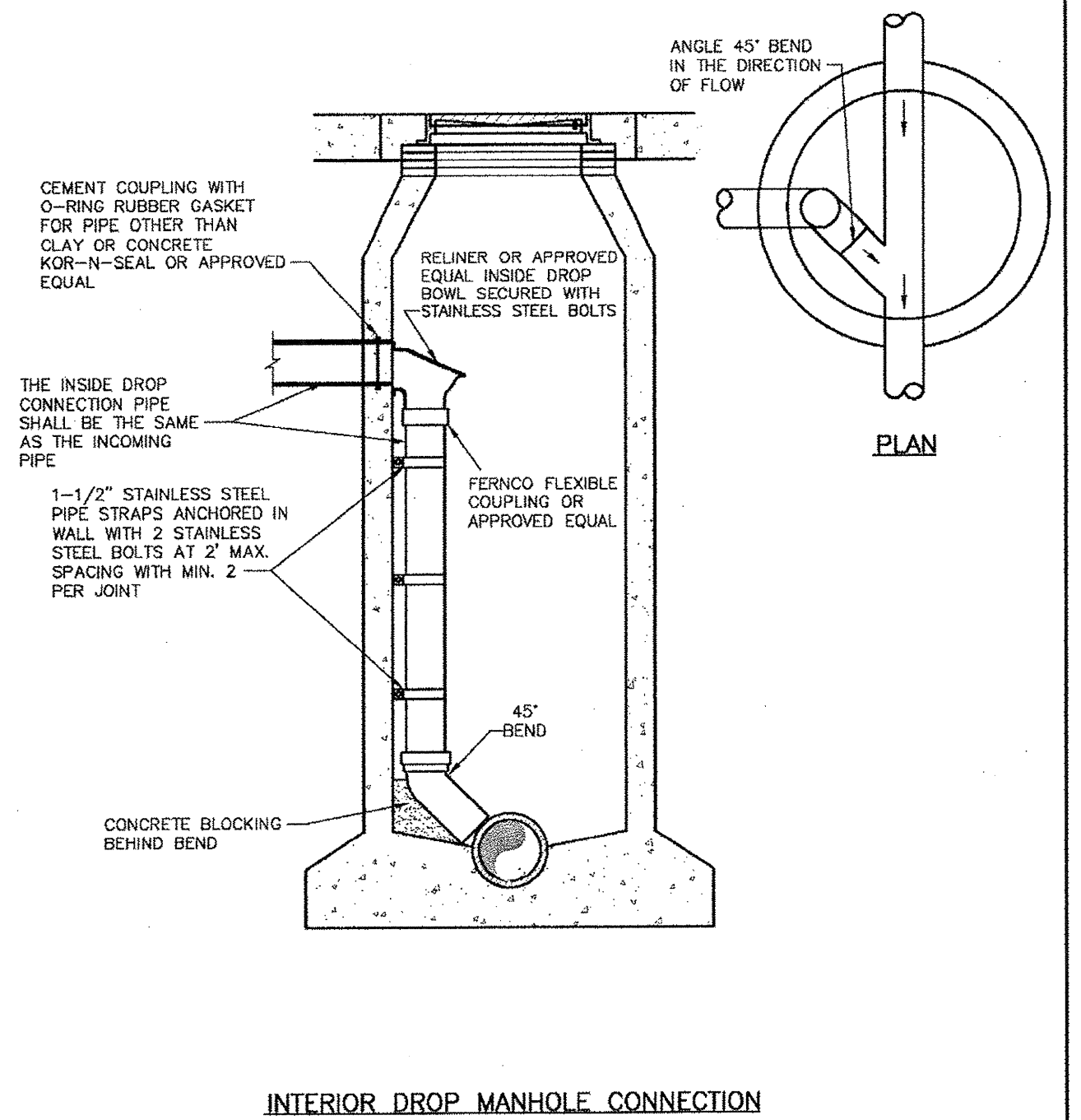
STANDARD CONSTRUCTION DETAILS WASTEWATER		
DATE:	REV DATE:	SHEET:
AUGUST, 2010		SD-WW02



Addison!
PUBLIC WORKS DEPARTMENT

CAST IRON CLEANOUT FRAME & COVER

STANDARD CONSTRUCTION DETAILS WASTEWATER		
DATE:	REV DATE:	SHEET:
AUGUST, 2010		SD-WW03



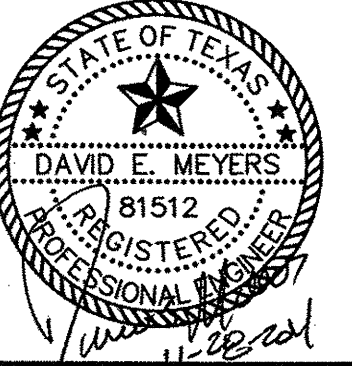
INTERIOR DROP MANHOLE CONNECTION

Addison!
PUBLIC WORKS DEPARTMENT

INTERIOR DROP MANHOLE CONNECTION

STANDARD CONSTRUCTION DETAILS WASTEWATER		
DATE:	REV DATE:	SHEET:
AUGUST, 2010		SD-WW04

Kimley-Horn and Associates, Inc.
2700 The Capital Drive, Suite 800
Dallas, TX 75201-888 972-770-8000
Firm No. 108



Keller Springs Lofts
Loft Apartments in Addison
Town of Addison, Texas

WASTEWATER DETAILS

DATE: NOVEMBER 28, 2011
DESIGN: KHA
DRAWN: KHA
CHECKED: KHA
KHA NO.: 06-4-36-2003
CITY NO.:

SHEET
C23

Date: 8/26/11
Revision: 1 REVISED TOWN DETAILS 11/28/11
2 ADDED DETAIL