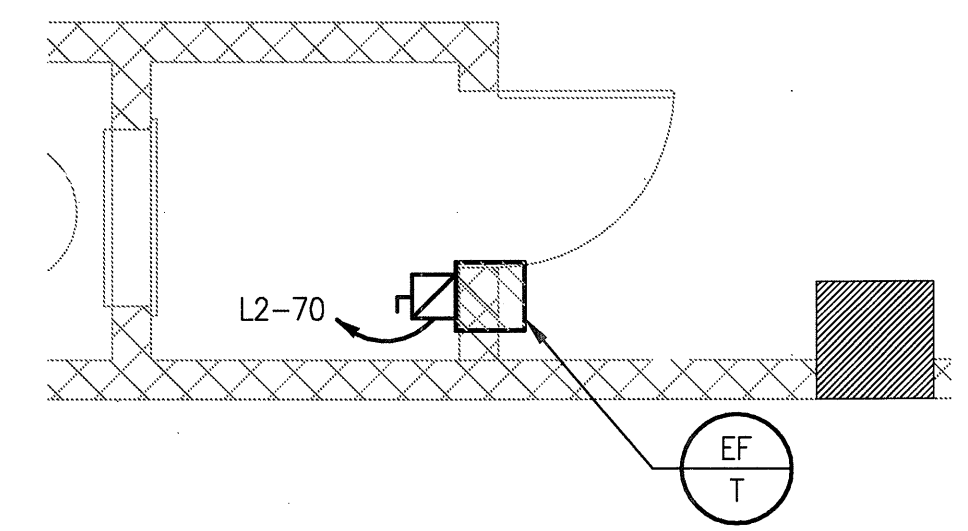
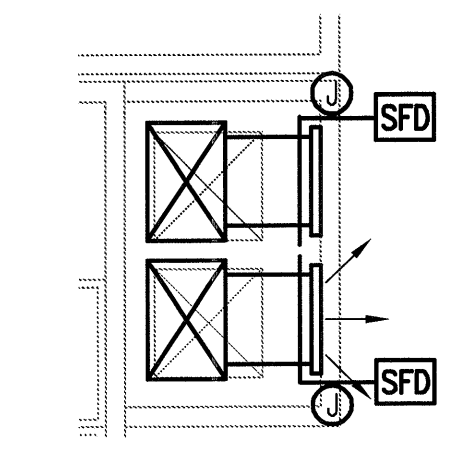


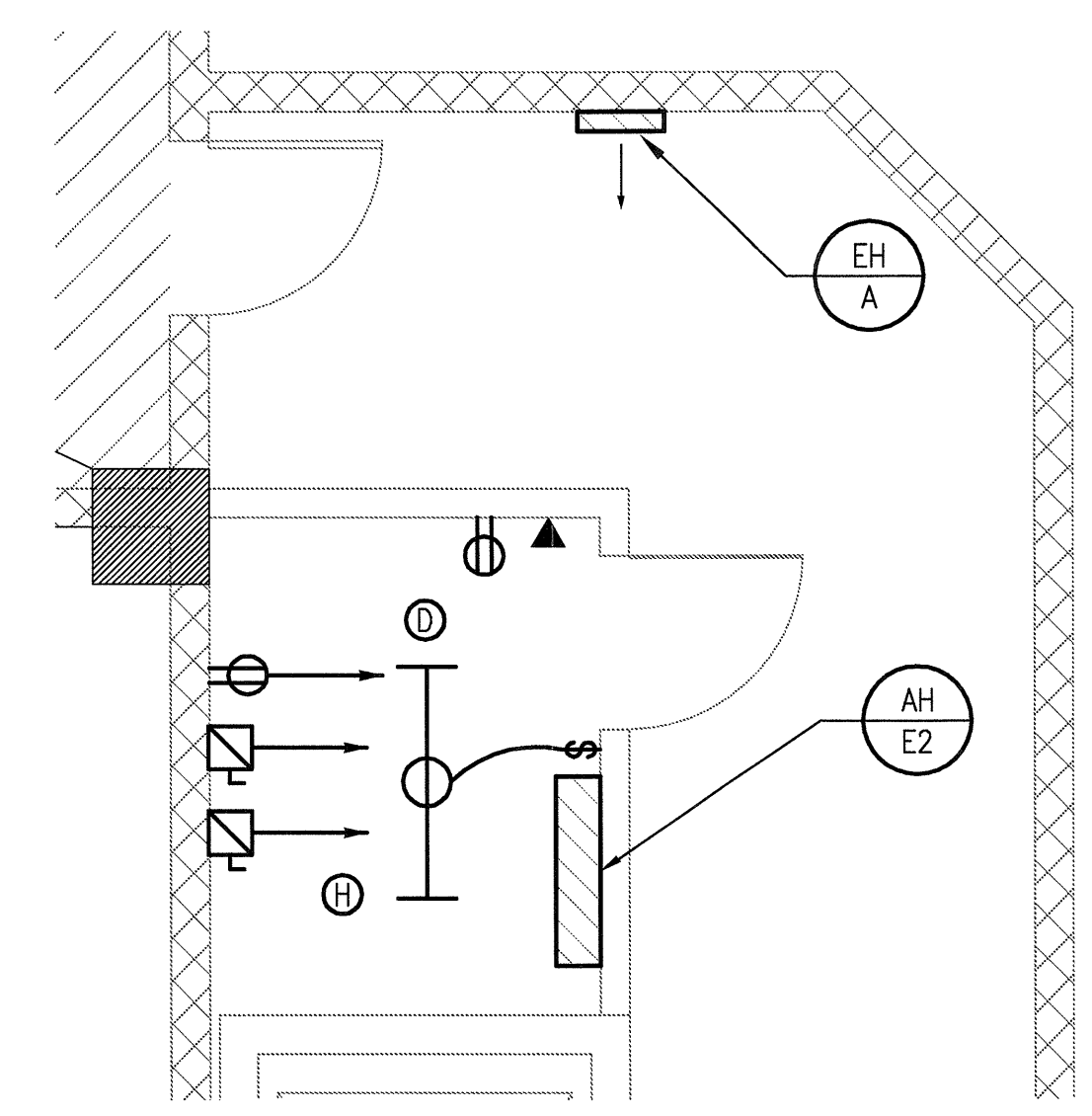
REVISIONS	
1	9-2-2011 DESIGN REVISIONS
2	9-13-2011 ANSI/FHA COMMENTS
3	9-23-2011 DESIGN REVISIONS
4	10-17-2011 CONSTRUCTION ISSUE



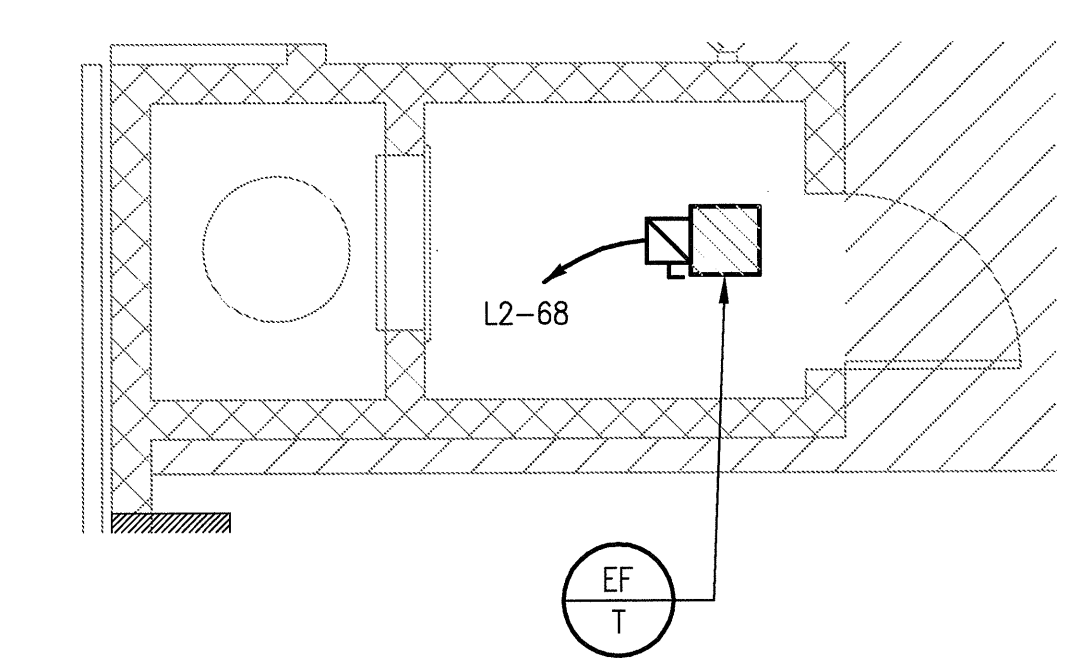
1 TRASH - ELECTRICAL
SCALE: 1/4" = 1'-0" 2ND THRU 4TH FLOOR



2 TRASH - ELECTRICAL
SCALE: 1/4" = 1'-0" 2ND THRU 4TH FLOOR



4 ELEVATOR ROOM - ELECTRICAL
SCALE: 1/4" = 1'-0"



3 TRASH - ELECTRICAL
SCALE: 1/4" = 1'-0" 2ND THRU 4TH FLOOR

KELLER SPRINGS LOFTS
 LOFT APARTMENTS IN ADDISON, TEXAS

BGO
 architects
 4144 N. Central Expy.
 Suite 855
 Dallas, TX 75204
 214.520.8878
 bgorchitects.com

DATE
 08-05-11

PROJECT
 11129

SHEET NUMBER
E-4.2

**PARTIAL
 PLANS
 ELECTRICAL**

JSE Jordan & Skala Engineers
 14210 Midway Road, Suite 570
 Dallas, TX 75244-3138
 V: (469) 385-1676 F: (469) 385-1613
 Project Number - 113-0355 Texas Firm Registration # F-4990
 Drawn By: MJ Checked By: RAD