

Embrey Builders, LLC
1020 N. E. Loop 410, Suite 700
San Antonio, TX 78209
Ph: (210) 824-6044 Fax: (210) 824-7656

RFI

To: Maurine Ford
Maurine ForM Ford & Associates

RFI #: 114
Date: 5/4/2012
Job: EB-02 Keller Springs Lofts
Phone: 877-777-5115

CC:

Subject: color selection for the mail boxes

Drawing: Spec Section:
Cost Impact: None Schedule Impact: None

Request: Date Required: 5/11/2012
Please provide a color for the mail specialties in the mail room from the attached color chart.

Requested by: Bryan Pickler
Embrey Partners, Ltd.

Response:
I would suggest using the Postal Gray #413C.

Answered by: Maurine Ford
Maurine ForM Ford & Associates

Answered date: May 07, 2012

KELLER SPRINGS CLUBHOUSE

ADDISON, TEXAS

INTERIOR DESIGN DRAWINGS

ISSUED FOR PRESENTATION
NOVEMBER 9, 2011

KELLER SPRINGS CLUBHOUSE
ADDISON, TX

DRAWING NUMBER	DRAWING TITLE
ID.0	DRAWING LIST, LEGEND & NOTES
ID.1	DETAIL LOCATION PLAN
ID.2	REFLECTED CEILING PLAN
ID.3.0	MISC. ELECTRICAL PLAN
ID.4.0	TRIMS & MISC. DETAILS
ID.4.1	MISC. DETAILS
ID.5	SECTIONS & ELEVATION
ID.FF	FLOOR FINISH PLAN
ID.FP	FURNITURE PLAN

INTERIOR DESIGN MISC. NOTES

- DUE TO THE VARIATIONS OF PRINTER SETTINGS FOR PDFs, THESE PLANS AS PRINTED MAY NOT BE TO SCALE. USE DIMENSIONS WHERE NOTED. IF SCALING IS NECESSARY, WE RECOMMEND YOU USE A DIMENSION ON THE PLAN AS THE BASIS TO CALCULATE THE DIFFERENCE BETWEEN IT AND WHAT YOUR SCALING TOOL READS.
 - CARE HAS BEEN TAKEN TO COMPLY WITH FEDERAL 2010 ACCESSIBILITY STANDARDS DURING DESIGN PHASE. HOWEVER, OWNER IS RESPONSIBLE FOR ENSURING APPROPRIATE T.A.S. COMPLIANCE @ TIME OF INSPECTION.
- MARCH 15, 2012 IS THE COMPLIANCE DATE FOR USING THE 2010 REVISED REQUIREMENTS FOR NEW CONSTRUCTION, ALTERATIONS, PROGRAM ACCESSIBILITY, AND BARRIER REMOVAL.
- ALTHOUGH UNDER CERTAIN CIRCUMSTANCES, THE REVISED REGULATIONS PERMIT THE USE OF THE 2010 STANDARDS BEFORE THE COMPLIANCE DATE OF MARCH 15, 2012. ENTITIES ARE NOT REQUIRED TO COMPLY WITH THE 2010 STANDARDS UNTIL MARCH 15, 2012.
3. FLAT SCREEN TVs ILLUSTRATED IN THESE PLANS WERE BASED ON MODELS SHOWN ON DETAIL "X" DWG. ID.TBD. TWO BASIC SIZES WERE DETERMINED OPTIMUM SIZES FOR OVERALL DESIGN COHESION.
- TVs SMALLER OR LARGER OR BY A DIFFERENT MANUFACTURER MAY NOT BALANCE WITH THE SURROUNDING INTERIOR DESIGN, AND USE OF LARGER MODELS MAY REQUIRE A DIFFERENT TV MOUNTING BRACKET.
- *SMALL TVs* ARE BASED ON: 52" SHARP AQUOS MODEL. *LARGE TVs* ARE BASED ON: 60" SHARP AQUOS MODEL. FINAL TV SELECTION & INSTALLATION PER OWNER.

INTERIOR DESIGN SYMBOL LEGEND

SYMBOL	DESCRIPTION
(X)	SPECIALTY LIGHT FIXTURE (REFER TO INTERIOR DESIGNER'S KEYED NOTES, THIS DWG.)
(---)	COMPONENT TAG---SEE DWG. ID.TBD UNDER "INTERIOR DESIGNER'S COMPONENTS"
(XX)	KEYED NOTE (REFER TO THIS DWG.)
(X/10XX)	ELEVATION VIEW & DRAWING WHERE IT CAN BE FOUND
(XX)	ROOM TRIM & MOULDING COMBINATION
*	DIMENSION TAKEN DIRECTLY FROM ARCHITECTURAL DRAWINGS IFC 10-21-11
(---)	KELLER SPRINGS CROWN ASSY. USED AT PERIMETER OF 10'-8" & 10'-8 1/2" CEILINGS
(---)	ADD'L. STUD FRAMING NOT SHOWN ON ARCHITECTURAL PLANS
(---)	FINISHED DIMENSION---ALL OTHER DIMENSIONS ARE ROUGH DIMENSIONS U.N.
(XX)	FLOOR FINISH---REFER TO INTERIOR DESIGN SPECIFICATIONS ON DWG. ID.TBD
(XX)	WALL FINISH---REFER TO INTERIOR DESIGN SPECIFICATIONS ON DWG. ID.TBD
(---)	DROPPED SOFFIT---BOTTOM OF FRAMING EL. 8'-0" A.F.F. UNLESS NOTED
(XX)	PRESENTATION NOTE TO CLIENT, STRUCTURAL ENGINEER, AND/OR MEP CONTRACTOR
(---)	8" DIA. RECESSED CAN PER LIGHTING CONTRACTOR AND SPECIFIED ON INTERIOR DESIGN MEP KEYED NOTES (THIS SHEET)
(---)	4" DIA. RECESSED CAN PURCHASED BY LIGHTING CONTRACTOR AND SPECIFIED ON INTERIOR DESIGN MEP KEYED NOTES (THIS SHEET)
(---)	36" DIA. SURFACE-MOUNT FIXTURE PER INTERIOR DESIGNER (SEE INTERIOR DESIGN DESIGN MEP KEYED NOTES (THIS SHEET))

PRESENTATION COMMENTS/QUESTIONS

ARCHITECTURAL	RESOLVED	
	YES	NO
1A	X	
2A	X	
3A	X	
4A	X	
5A	X	
6A	X	
7A	X	
8A	X	
9A	X	
10A	X	
11A	X	
12A	X	
13A	X	
14A	X	
15A	X	
16A	X	
17A	X	
18A	X	
19A	X	
20A	X	
21A	X	
22A	X	
23A	X	
24A	X	
25A	X	
26A	X	
27A	X	
28A	X	
1S	X	
2S	X	
1M	X	
2M	X	
3M	X	
4M	X	
5M	X	
6M	X	
7M	X	
8M	X	
9M	X	
1P	X	

INTERIOR DESIGN MEP KEYED NOTES

- #### LIGHTING
- INTERIOR DESIGNER'S DRAWINGS LOCATE THE FOLLOWING SPECIALTY LIGHTING FIXTURES. FIXTURES ARE ORDERED BY INTERIOR DESIGNER & PURCHASED BY OWNER UNLESS NOTED. FURTHER INFORMATION ON THESE FIXTURES CAN BE FOUND UNDER "LIGHTING SPECIFICATIONS" ON DWG. ID.TBD.
 - LOBBY CHANDELIER, CUSTOM W/ 30 LED BULBS (TO BE VERIFIED) (ON DIMMER)
 - (QUANTITY TO BE DET.) LOBBY COVE STRIP LIGHTS---CORELIGHT (SIZES BY LIGHTING CONTRACTOR) ASYMMETRIC SPECULAR FLUORESCENT COVE, ITS LAMP EA. NO DIMMING---COOPER LIGHTING AMETRIX ITS COVE---OPTOS UP
 - BILLIARDS FIXTURE---CUSTOM WITH 12 40W BULBS (ON DIMMER)
 - 48" LG. PEERLESS LIGHTLINE RECESSED LINEAR WALL WASHERS GANGED IN GROUPS OF THREE, W/1-15 BULB EACH ORDERED BY LIGHTING CONTRACTOR (ON DIMMER)
 - 52" DIA. FITNESS CEILING FANS WITH NO LIGHT KITS
 - 14" 4" DIA. RECESSED CAN (SOW) INCANDESCENT LOW-VOLTAGE DOWNLIGHT WITH PINHOLE APERTURE TRIM. SELECTED BY LIGHTING CONTRACTOR---INTERIOR DESIGNER TO SELECT TRIM COLOR.
 - 23" 6" DIA. RECESSED CAN (SOW) FLUORESCENT SELECTED BY LIGHTING CONTRACTOR. TRIM COLOR TO BE DETERMINED BY INTERIOR DESIGNER. (NO DIMMING) SEE LIGHTING PLAN FOR EMERGENCY KIT LOCATIONS
 - 15" 4" DIA. RECESSED CAN (SOW) INCANDESCENT LOW-VOLTAGE DOWNLIGHT WITH ADJUSTABLE SLOT APERTURE TRIM. SELECTED BY LIGHTING CONTRACTOR---INTERIOR DESIGNER TO SELECT TRIM COLOR.
 - BUSINESS CENTER PENDANT FIXTURES, CUSTOM, W/1 ~ 60W INCANDESCENT BULB EA.
 - 36" DIA. CORRIDOR SURFACE-MOUNT FIXTURE W/4 ~ 60W BULBS
 - 89"LG. & (2) 24"LG. UP/DOWN LINEAR WALL MOUNTED WALL WASHER---OCL DUO SCENCE. LIGHTING CONTRACTOR TO DETERMINE NUMBER AND WATTAGE OF BULBS. INTERIOR DESIGNER TO SELECT FINISH. (ON DIMMER)
 - LIGHT FIXTURES THAT ARE DIMENSIONALLY LOCATED ARE CRITICAL TO FURNISHINGS PLACEMENT AND ANY CHANGES TO THESE LOCATIONS SHOULD BE COORDINATED WITH THE INTERIOR DESIGNER.
 - INTERIOR DESIGNER ASSUMES NO RESPONSIBILITY FOR LIGHTING DESIGN. ANY MODEL NUMBERS FOR FIXTURES CALLED OUT ON REFLECTED CEILING PLANS ARE SUGGESTIONS ONLY, AND SHOULD BE EVALUATED BY A LIGHTING PROFESSIONAL FOR APPROPRIATENESS.
 - ALL LIGHT FIXTURES ARE SPECIFIED BY OTHERS, EXCEPT THOSE NOTED AS BY INTERIOR DESIGNER IN LEGEND ABOVE.
 - CAREFULLY AVOID PLACING SAFETY LIGHTING, STROBES, OR HORNS IN AREAS ON ELEVATIONS DESIGNATED AS "SPACE FOR ART".
 - THE FOLLOWING LIGHT FIXTURES ARE TO BE ON DIMMER SWITCHES UNLESS OTHERWISE NOTED:
 - ALL LIGHTING IN LEGEND ABOVE
 - ALL WALL WASHERS
 - SWITCHPLATE SAMPLES ARE TO BE PROVIDED TO INTERIOR DESIGNER FOR COLOR SELECTIONS.
 - LOCATE SWITCHES AND/OR EMERGENCY LIGHTS OR ALARMS AS CLOSE TO CORNER AND/OR DOOR AS POSSIBLE.
 - 8" DIA. FLUORESCENT DOWNLIGHTS (BY LIGHTING CONTRACTOR) TO BE ON SEPARATE SWITCH NORMALLY OFF (USED FOR ROOM/EQUIPMENT MAINTENANCE SERVICES ONLY)
 - INTERIOR DESIGNER'S LIGHTING LAYOUT WAS BASED ON FURNISHING AND PARTITION LAYOUT PER PRESENTATION DESIGN, JOINTLY WITH MEP'S DWG EB.1 ISSUED 10-24-11
- #### ELECTRICAL
- ELECTRICAL SYMBOLS IN ADDITION TO, RELOCATED FROM, OR IN LIEU OF, LOCATIONS SHOWN ON ELECTRICAL PLANS IFC 10-21-11. IN THE EVENT OF DISCREPANCY BETWEEN THIS DWG. & MEP CONSTRUCTION DWGS, BUILDER IS TO CONTACT INTERIOR DESIGNER.
 - MEP TO REVISE KITCHEN, RESTROOM AND COFFEE BAR AREAS POWER/RECEPTACLE LOCATIONS PER INTERIOR DESIGNER'S PRESENTATION DWGS. UPDATED MEP CAD FILES ARE REQUIRED PRIOR TO ISSUANCE OF ID IFC DRAWINGS.
 - RECEPTACLES THAT ARE DIMENSIONALLY LOCATED ARE CRITICAL TO FURNISHINGS PLACEMENT. ANY CHANGES TO THESE LOCATIONS SHOULD BE COORDINATED WITH INTERIOR DESIGNER.
 - HEIGHT OF RECEPTACLES TO BE PER LOCAL BUILDING CODES AND T.A.S. ACCESSIBILITY REQUIREMENTS UNLESS AS INDICATED IN NOTE 10 ABOVE.
 - RECEPTACLE PLATE SAMPLES TO BE PROVIDED TO INTERIOR DESIGNER FOR SELECTION.
 - ALL FLOOR RECEPTACLES ARE TO BE BRUSHED STAINLESS FINISH.
- #### FRAMING
- FRAMERS ARE TO CAREFULLY CENTER STUDS AS SHOWN ON DWG. ID.1 AT FIVE RECESSED TV LOCATIONS TO FACILITATE INSTALLATION OF TRIM CABINETRY.
- #### PLUMBING
- MEP IS TO ENSURE THAT PLUMBING STUB UPS ARE COORDINATED WITH LATEST RESTROOM, COFFEE BAR AND KITCHEN PLANS. UPDATED MEP CAD FILES ARE REQUIRED PRIOR TO ISSUANCE OF ID IFC DWGS.
- #### HVAC
- REFLECTED CEILING PLAN SHOWS HVAC REGISTER LOCATIONS FROM HVAC PLAN IFC 10-21-11. SHADED AIR REGISTERS AND/OR EQUIPMENT TO BE RELOCATED TO AVOID INTERIOR DESIGNER'S CEILING TRIMS AND FIXTURES, AND/OR NEW ROOM CONFIGURATIONS. UPDATED MEP CAD FILES ARE REQUIRED PRIOR TO ISSUANCE OF ID IFC DWGS.

ROOM TRIM & MOULDING COMBINATION LEGEND

TAG NO.	ROOM	GRADE	DESCRIPTION
1	LOBBY LEASING	STAIN, SPECIAL SURFACING	KELLER SPRINGS BASE THROUGHOUT (EXCEPT @ COLUMNS), KELLER SPRINGS CROWN ASSY. @ PERIMETER OF 10'-3" CEILING, VENEER PANELING @ COLUMNS & ACRYLIC BACKLIT PANEL. CUSTOM CABINETRY PER INTERIOR DESIGNER'S FABRICATION DWGS. RECESSED LIGHT COVE W/SPECIAL FINISH ON CEILING @ EL. 10'-8 1/2".
2	MANAGER, ASST. MGR.	PAINT	KELLER SPRINGS BASE
3	WORKROOM, STORAGE	PAINT	MFG. CABINETRY @ WORKROOM ONLY BY ARCHITECT. VINYL BASE TO MATCH FLOORING
4	MEN, WOMEN	PAINT	TILE BASE. TILE WALLS TO APPROX. 50" A.F.F. WALLCOVERING ABOVE. BRUSHED STAINLESS N-WALL AMENITY FIXTURES AS SPECIFIED BY INTERIOR DESIGNER
5	KITCHEN, GREAT ROOM, INTERIOR CAFE, DINING, GAMES	STAIN	KELLER SPRINGS BASE THROUGHOUT, KELLER SPRINGS CROWN ASSY. @ PERIMETER OF 10'-8 1/2" CEILING, VENEER PANELING @ CEILING, DROPPED PAINTED GYP SOFFIT, CUSTOM CABINETRY PER INTERIOR DESIGNER'S FABRICATION DWGS. BUILT-IN BANQUETTE PURCHASED BY INTERIOR DESIGNER
6		STAIN	KELLER SPRINGS BASE, CUSTOM CASED OPENINGS AT ENTRANCES, KELLER SPRINGS WALL TRIM @ TV, GAMING ACCESSORY OPENINGS AND ABOVE DRINK RAIL AT REAR WALL
7	FITNESS	PAINT	KELLER SPRINGS BASE THROUGHOUT, KELLER SPRINGS CROWN ASSY. @ PERIMETER OF 10'-8 1/2" CEILING, THREE MIRRORING WALLS, CUSTOM TOWEL CABINET PER INTERIOR DESIGNER'S FABRICATION DWGS.
8	CLUB/ LEASING CORRIDOR	PAINT	KELLER SPRINGS BASE THROUGHOUT (EXCEPT @ COLUMNS), KELLER SPRINGS CROWN ASSY. @ PERIMETER OF 10'-8 1/2" CEILING OUTSIDE FITNESS
9	MAIL	PAINT	KELLER SPRINGS BASE THROUGHOUT. INTERIOR DESIGNER TO SELECT MAIL BOX FINISHES FROM ARCHITECT'S SELECTED VENDOR OPTIONS

WOOD SPECIES FOR CUSTOM CABINETRY AND TRIMS SHOULD RESEMBLE FURNITURE-GRADE MATERIALS. MAPLE OR ALDER ARE OPTIONS, BUT BUILDER SHOULD ASK THE CABINETMAKER FOR SUGGESTIONS THAT WILL PROVIDE AN EVEN, FINE-GRAINED APPEARANCE. SMALLER TRIMS MAY REQUIRE HARDWOOD SELECTION.

ELECTRICAL SYMBOL LEGEND

NOTE: ALL SYMBOLS MAY NOT APPEAR ON INTERIOR DESIGNER'S DRAWINGS. REFER TO ELECTRICAL ENGINEER'S PLANS FOR DETAILS, WIRING AND OTHER IMPORTANT INFORMATION REGARDING ELECTRICAL EQUIPMENT AND SYSTEMS. THIS LEGEND IS PROVIDED BY THE ELECTRICAL ENGINEER AS A COURTESY TO THE ARCHITECT. SYMBOLS ARE NOT TO SCALE.

SYMBOLS ARE NOT TO SCALE. PLEASE SEE THE ADJACENT INTERIOR DESIGNER'S KEYED MEP NOTES FOR FURTHER INFORMATION.

\$	SINGLE POLE SINGLE THROW TOGGLE SWITCH (NOTE L-1)	48"
\$/4	THREE-WAY TOGGLE SWITCH/FOUR-WAY TOGGLE SWITCH (NOTE L-1)	48"
\$u	MOTOR RATED SWITCH	
\$x	KEYED SWITCH	48"
\$t	TIMER SWITCH	48"
D	DIMMER SWITCH (NOTE L-1)	48"
D3	THREE-WAY DIMMER SWITCH (NOTE L-1)	48"
Ⓛ	DUPLEX / QUAD RECEPTACLE OUTLET (NOTE L-1)	18"
(WP)	(WP)=WEATHERPROOF, (GF)=GROUND FAULT INTERRUPTER	
Ⓛ/Ⓛ	G.F.C.I. DUPLEX RECEPTACLE OUTLET WALL/ABOVE COUNTER MOUNTED (NOTE L-1)	18"/43"
Ⓛ	ISOLATED GROUND DUPLEX RECEPTACLE OUTLET	18"
Ⓛ	SPECIAL PURPOSE RECEPTACLE OUTLET, NEMA CONFIGURATION TO MATCH PLUG. (NOTE L-1)	18"
Ⓛ	SPLIT WIRED DUPLEX RECEPTACLE. ONE RECEPTACLE SHALL BE SWITCHED AS SHOWN ON PLANS (NOTE L-1)	18"
Ⓛ/Ⓛ	DUPLEX RECEPTACLE OUTLET, CEILING MOUNTED/FLOOR MOUNTED	
Ⓛ	MULTI-OUTLET ASSEMBLY WITH OUTLETS ON CENTERS AS INDICATED IN NOTES OR SPECIFICATIONS MOUNT 6" ABOVE COUNTER OR AS INDICATED	
Ⓛ	FIRE-RAT D POKE-THRU DEVICE	
Ⓛ/Ⓛ	JUNCTION BOX, CEILING/WALL/FLOOR MOUNTED	
X-1,3,5	ARROWHEAD INDICATES HOMERUN. X-1,3,5 ADJACENT TO HOMERUN. ARROWHEADS INDICATES HOMERUN TO PANEL X. CIRCUIT NUMBERS 1,3, AND 5.	
3,5	INDICATES CIRCUIT CONTINUATION OF CIRCUITS 3 AND 5 OF PANEL X.	
	MARKS ACROSS RACEWAY SYMBOLS INDICATE THE NUMBER OF #12 CONDUCTORS (2 PHASE, 1 NEUTRAL) UNLESS OTHERWISE NOTED. NO MARKS INDICATES TWO #12 CONDUCTORS. EQUIPMENT GROUNDING CONDUCTORS ARE NOT INDICATED BY MARKS.	
	RACEWAY/CABLE CONCEALED IN WALL AND/OR ABOVE CEILING	
	RACEWAY CONCEALED BELOW GRADE OR IN-SLAB	
	RACEWAY/CABLE CONCEALED IN WALL AND/OR ABOVE CEILING - EMERGENCY CIRCUIT	
	RACEWAY INSTALLED EXPOSED	
	GROUNDING CONNECTION (SYSTEM AND/OR EQUIPMENT)	
	CONDUIT TURNING UP/DOWN	
	CONDUIT STUB. TERMINATE IN INSULATED BUSHING OR CAP IF UNDERGROUND	
Ⓛ	FLUORESCENT LIGHTING FIXTURE, 2x4, 1x4, 2x2	
Ⓛ	FLUORESCENT LIGHTING FIXTURE, 2x4, 1x4, 2x2 - PROVIDING EMERGENCY ILLUMINATION	
Ⓛ	LIGHTING FIXTURE - OVERHEAD/WALL MOUNTED	
Ⓛ	EMERGENCY LIGHTING FIXTURE - OVERHEAD/WALL MOUNTED	
Ⓛ	FLUORESCENT STRIP FIXTURE - OVERHEAD/WALL MOUNTED	
Ⓛ	DIRECTIONAL OR WALL WASH LIGHTING FIXTURE	
Ⓛ	LIGHT TRACK AND LIGHT TRACK FIXTURES	
Ⓛ	POLE MOUNTED LIGHT FIXTURE WITH ARM. SEE PLANS FOR NUMBER OF LUMINAIRES.	
Ⓛ	POST TOP OR BOLLARD LIGHT FIXTURE	
Ⓛ	CEILING/PENDANT MOUNTED PADDLE FAN	
Ⓛ	EXIT SIGN, CEILING/WALL MOUNTED. PROVIDE ARROWS AS INDICATED ON DRAWINGS	
Ⓛ	EMERGENCY LIGHTING FIXTURE	
Ⓛ	PANELBOARD - WALL MOUNTED (RECESSED)	
Ⓛ	PANELBOARD - WALL MOUNTED (SURFACE)	
Ⓛ	MOTOR	
Ⓛ	NONFUSIBLE DISCONNECT SWITCH, RATING/POLES/NEMA ENCLOSURE	
Ⓛ	FUSIBLE DISCONNECT SWITCH, RATING/POLES/NEMA ENCLOSURE/FUSE RATING	
Ⓛ	MAGNETIC MOTOR STARTER. NEMA SIZE RATING/ENCLOSURE (NEMA 1 IF NOT SHOWN)	
Ⓛ	COMBINATION MAGNETIC MOTOR STARTER AND DISCONNECT MEANS, NEMA SIZE RATING/ENCLOSURE (NEMA 1 IF NOT SHOWN)	
Ⓛ	CURRENT TRANSFORMER CABINET	48"
Ⓛ	POWER METER AND SOCKET	
Ⓛ	FIRE ALARM MANUAL STATION	48"
Ⓛ	FIRE ALARM HORN/SPEAKER WITH VISUAL DEVICE (NOTE L-3), NUMERAL INDICATES CANDELA RATING	
Ⓛ	FIRE ALARM HORN/SPEAKER (NOTE L-3)	
Ⓛ	FIRE ALARM VISUAL DEVICE (NOTE L-3), NUMERAL INDICATES CANDELA RATING	
Ⓛ	FIREMAN PHONE JACK	
Ⓛ	FIRE PHONE	
Ⓛ	SMOKE DETECTOR (CEILING/WALL MOUNTED 4" MIN. AND 12" MAX. FROM CEILING)	
Ⓛ	THERMAL DETECTOR, CEILING MOUNTED	
Ⓛ	CONNECTION TO FIRE PROTECTION SYSTEM FLOW SWITCH	
Ⓛ	CONNECTION TO FIRE PROTECTION SYSTEM TAMPER SWITCH	
Ⓛ	FIRE ALARM CONNECTION TO SMOKE/FIRE DOOR HOLD-OPEN DEVICE	
Ⓛ	DUCT MOUNTED SMOKE DETECTOR	
Ⓛ	REMOTE STATION FOR DUCT MOUNTED SMOKE DETECTOR	
Ⓛ	FIRE ALARM CONTROL PANEL, SURFACE/RECESSED	
Ⓛ	FIRE ALARM ANNUNCIATOR PANEL, RECESSED	
Ⓛ	TELEPHONE OUTLET, WALL MOUNTED/ABOVE COUNTER (NOTES L-1, L-2)/FLOOR MOUNTED	18"/43"
Ⓛ	COMBINATION TELEPHONE/DATA OUTLET, WALL MOUNTED/ABOVE COUNTER (NOTE L-1, L-2)/FLOOR MOUNTED	18"/43"
Ⓛ	DATA OUTLET, WALL MOUNTED/ABOVE COUNTER (NOTE L-1, L-2)/FLOOR MOUNTED	18"/43"
Ⓛ	TELEVISION OUTLET WALL MOUNTED (NOTE L-1)/CEILING MOUNTED/FLOOR MOUNTED	18"

LEGEND NOTES

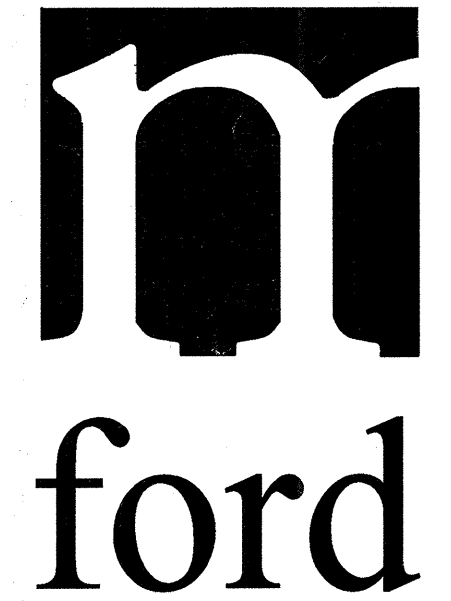
L-1 MOUNTING HEIGHTS NOTED ARE TO THE CENTER OF DEVICE ABOVE FINISHED FLOOR, UNLESS NOTED OTHERWISE.

L-2 STUB 3/4" CONDUIT 6" ABOVE ACCESSIBLE CEILING AND TERMINATE WITH NYLON GROMMET.

L-3 FIRE ALARM VISUAL DEVICES SHALL BE WALL-MOUNTED 80" AFF OR 6" BELOW CEILING, WHICHEVER IS LOWER. AUDIBLE ONLY DEVICES SHALL BE WALL-MOUNTED AT NOT LESS THAN 90" AFF AND NOT LESS THAN 6" BELOW CEILING.

DRAWING LIST, LEGEND & NOTES

© 2011 M. FORD & ASSOCIATES INC. THIS DOCUMENT IS PUBLISHED AS AN INSTRUMENT OF SERVICE AND IS GIVEN IN CONFIDENCE. IT REMAINS THE PROPERTY OF M. FORD & ASSOCIATES, INC. THIS DOCUMENT, THE ELECTRONIC DATA ASSOCIATED WITH IT, AND THE INFORMATION CONTAINED THEREIN MAY NOT BE REPRODUCED, COPIED, OR DISCLOSED WITHOUT THE WRITTEN CONSENT OF M. FORD & ASSOCIATES, INC., HOUSTON, TEXAS.



m. ford & associates
interior design
99 deterring street
suite 165
houston, tx 77007
phone 713-630-0800
fax 713-630-0814
mford@mfordassociates.com
www.mfordassociates.com

Queen of the World

SHEET NO.
ID.0

KELLER SPRINGS CLUBHOUSE

ADDISON, TEXAS

INTERIOR DESIGN DRAWINGS

EMBREY PARTNERS, LTD

SAN ANTONIO, TX

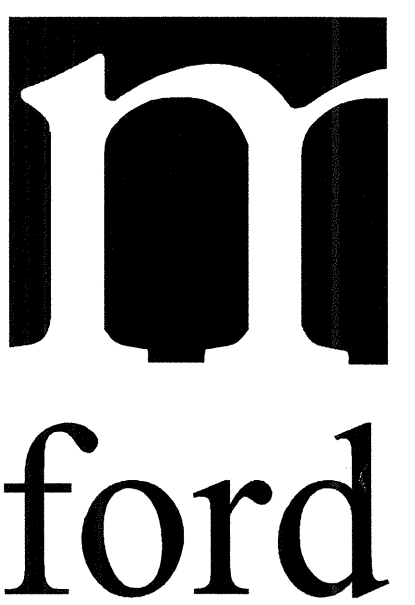
ISSUED FOR CONSTRUCTION
APRIL 23, 2012

KELLER SPRINGS CLUBHOUSE
ADDISON, TX

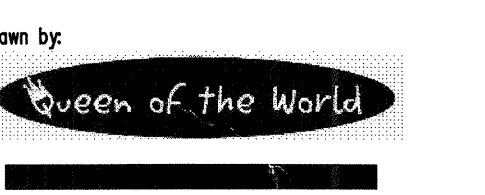
DRAWING NUMBER	DRAWING TITLE
ID.0	DRAWING LIST, LEGEND & NOTES
ID.1	DETAIL LOCATION PLAN
ID.2	REFLECTED CEILING PLAN
ID.2A	ENLARGED PLAN & SECTION @ LOBBY LIGHT COVE
ID.2B	ENLARGED REFLECTED CEILING PLAN @ GREAT ROOM PANELING AND SOFFIT
ID.3	MISC. ELECTRICAL PLAN
ID.4.0	MISC. TRIMS, DETAILS & LOBBY LIGHT PANEL
ID.4.1	SECTIONS THRU LOBBY ELEMENTS & GAMES ROOM TRIM ASS'YS.
ID.4.2	MISC. DETAILS & SPECIFICATIONS
ID.4.3	INTERIOR DESIGNER'S PREFERRED FLAT SCREEN TV MODELS & MOUNTING BRACKETS
ID.4.4	EQUIPMENT SPECIFICATIONS, SHEET 1
ID.4.5	EQUIPMENT SPECIFICATIONS, SHEET 2
ID.5	GENERAL SECTIONS & ELEVATION @ GAMES
ID.6.0	ENLARGED KITCHEN PLAN
ID.7.0	MISC. ENLARGED PLANS
ID.FS.0	FINISH SPECIFICATIONS PLAN
ID.FS.1	FINISH SCHEDULE & MISC. SPECIFICATIONS
ID.FP	FURNITURE PLAN

DRAWING LIST, LEGEND & NOTES

© 2012 M. FORD & ASSOCIATES INC.
THIS DOCUMENT IS PUBLISHED AS AN INSTRUMENT OF SERVICE AND IS GIVEN IN CONFIDENCE. IT REMAINS THE PROPERTY OF M. FORD & ASSOCIATES, INC. THIS DOCUMENT, AND THE INFORMATION CONTAINED HEREIN, MAY NOT BE DUPLICATED OR DISCLOSED WITHOUT WRITTEN CONSENT OF M. FORD & ASSOCIATES, INC. HOUSTON, TEXAS



m. ford & associates
interior design
99 deterring street
suite 165
houston, tx 77007
phone 713-630-0800
fax 713-630-0814
mford@mfordassociates.com
www.mfordassociates.com



SHEET NO.

ID.0

The Texas Board of Architectural Examiners
333 Guadalupe, Suite 2-350 PO Box 12337
Austin, TX 78701-3942 Austin, TX 78711-2337
Telephone (512) 305-9000
has jurisdiction over individuals licensed under the Interior Designer's Registration Law Texas Civil Statutes, Article 249e

ANY DRAWINGS OR SPECIFICATIONS ARE FOR DESIGN INTENT ONLY. THESE ARE NOT INTENDED FOR ARCHITECTURAL/ENGINEERING PURPOSES.

INTERIOR DESIGN MEP KEYED NOTES	
LIGHTING	
1	INTERIOR DESIGNER'S DRAWINGS LOCATE THE FOLLOWING SPECIALTY LIGHTING FIXTURES. FIXTURES ARE ORDERED BY INTERIOR DESIGNER & PURCHASED BY OWNER UNLESS NOTED. FURTHER INFORMATION ON THESE FIXTURES CAN BE FOUND UNDER "LIGHTING SPECIFICATIONS" ON DWG. ID.FS.
1	(1) LOBBY CHANDELER, "MANIFESTO" BY LUSIVE DECOR (REFER TO DWG. ID.FS) ON DIMMER.
2	(4~ 8'LG. 2~ 3'LG. & 2~ 48" LG. ALL NOMINAL LENGTHS) LOBBY COVE STRIP LIGHTS---CORELIGHT SERIES CS COVE SOLO 5-11S-10-120, NO DIMMING---COOPER LIGHTING W/175BULB EACH
3	(1) BILLIARDS FIXTURE---CUSTOM "RAY S" BY FLOSS USA (SEE DWG. ID.FS) ON DIMMERS.
4	(6) CORRIDOR SURFACE MOUNT "UNA" PENDANT BY OCL (SEE DWG. ID.FS)
5	(4) 52" DIA. FITNESS CEILING FANS WITH NO LIGHT KITS (SEE DWG. ID.FS)
6	(16) 4" DIA. RECESSED CAN (50W) INCANDESCENT LOW-VOLTAGE DOWNLIGHT WITH PINHOLE APERTURE TRIM. SELECTED BY LIGHTING CONTRACTOR---PAINTED TO MATCH CEILING.
7	(23) 6" DIA. RECESSED CAN (50W) FLUORESCENT SELECTED BY LIGHTING CONTRACTOR. PAINTED TO MATCH CEILING. (NO DIMMING). SEE LIGHTING PLAN FOR EMERGENCY KIT LOCATIONS
8	(20) 4" DIA. RECESSED CAN (50W) INCANDESCENT LOW-VOLTAGE DOWNLIGHT (WALL-WASHER) WITH ADJUSTABLE SLOT APERTURE TRIM. SELECTED BY LIGHTING CONTRACTOR---PAINTED TO MATCH CEILING.
9	(3) BUSINESS CENTER PENDANT FIXTURES, CUSTOM "ROCK CANDY" BY STONE LIGHTING (SEE DWG. ID.FS) ON DIMMERS.
10	(1) 36" DIA. CORRIDOR CUSTOM SURFACE-MOUNT DRUM FIXTURE BY STONEGATE DESIGNS (SEE DWG. ID.FS)
11	(4) UP/DOWN LINEAR WALL MOUNTED WALL WASHERS BY OCL (SEE DWG. ID.FS) ON DIMMERS.
12	(6) LED FIXTURES BY 3FORM. REFER TO ITEM #3 IN ID.DOC FOR SPECIFICATIONS.
2	LIGHT FIXTURES THAT ARE DIMENSIONALLY LOCATED ARE CRITICAL TO FURNISHINGS PLACEMENT AND ANY CHANGES TO THESE LOCATIONS SHOULD BE COORDINATED WITH THE INTERIOR DESIGNER.
3	INTERIOR DESIGNER ASSUMES NO RESPONSIBILITY FOR LIGHTING DESIGN. ANY MODEL NUMBERS FOR FIXTURES CALLED OUT ON REFLECTED CEILING PLANS ARE SUGGESTIONS ONLY, AND SHOULD BE EVALUATED BY A LIGHTING PROFESSIONAL FOR APPROPRIATENESS.
4	ALL LIGHT FIXTURES ARE SPECIFIED BY OTHERS, EXCEPT THOSE NOTED AS BY INTERIOR DESIGNER IN LEGEND ABOVE.
5	CAREFULLY AVOID PLACING SAFETY LIGHTING, STROBES, OR HORNS IN AREAS ON ELEVATIONS DESIGNATED AS "SPACE FOR ART".
6	NOT USED
7	SWITCHPLATE SAMPLES ARE TO BE PROVIDED TO INTERIOR DESIGNER FOR COLOR SELECTIONS.
8	LOCATE SWITCHES AND/OR EMERGENCY LIGHTS OR ALARMS AS CLOSE TO CORNER AND/OR DOOR AS POSSIBLE.
9	6"DIA. FLUORESCENT DOWNLIGHTS (BY LIGHTING CONTRACTOR) TO BE ON SEPARATE SWITCH NORMALLY OFF (USED FOR ROOM/EQUIPMENT MAINTENANCE SERVICES ONLY)
9A	6"DIA. FLUORESCENT DOWNLIGHTS (BY LIGHTING CONTRACTOR)
ELECTRICAL	
10	ELECTRICAL SYMBOLS IN ADDITION TO, RELOCATED FROM, OR IN LIEU OF, LOCATIONS SHOWN ON ELECTRICAL PLANS, REV. 6 EMAILED TO INTERIOR DESIGNER ON 4-3-2012. IN THE EVENT OF DISCREPANCY BETWEEN THIS DWG. & MEP CONSTRUCTION DWGS, BUILDER IS TO CONTACT INTERIOR DESIGNER.
10A	MEP TO REVISE KITCHEN, RESTROOM AND COFFEE BAR AREAS POWER/RECEPTACLE LOCATIONS PER INTERIOR DESIGNER'S PRESENTATION DWGS. UPDATED MEP CAD FILES ARE REQUIRED PRIOR TO ISSUANCE OF ID.FS DRAWINGS.
11	RECEPTACLES THAT ARE DIMENSIONALLY LOCATED ARE CRITICAL TO FURNISHINGS PLACEMENT. ANY CHANGES TO THESE LOCATIONS SHOULD BE COORDINATED WITH INTERIOR DESIGNER.
12	HEIGHT OF RECEPTACLES TO BE PER LOCAL BUILDING CODES AND T.A.S. ACCESSIBILITY REQUIREMENTS UNLESS AS INDICATED IN NOTE 10 ABOVE.
13	RECEPTACLE PLATE SAMPLES TO BE PROVIDED TO INTERIOR DESIGNER FOR SELECTION.
14	ALL FLOOR RECEPTACLES ARE TO BE BRUSHED STAINLESS FINISH.
FRAMING	
15	FRAMERS ARE TO CAREFULLY CENTER STUDS AS SHOWN ON DWG. ID.1 AT FIVE RECESSED TV LOCATIONS TO FACILITATE INSTALLATION OF TRIM CABINETS.
PLUMBING	
16	MEP IS TO ENSURE THAT PLUMBING STUB UPS ARE COORDINATED WITH LATEST RESTROOM, COFFEE BAR AND KITCHEN PLANS. UPDATED PLUMBING CAD FILES HAD NOT BE ISSUED TO INTERIOR DESIGNER AS OF 4-23-12.
HVAC	
17	REFLECTED CEILING PLAN SHOWS HVAC REGISTER LOCATIONS FROM HVAC PLAN REV. 8 3-27-12.

INTERIOR DESIGN MISC. NOTES	
1.	DUE TO THE VARIATIONS OF PRINTER SETTINGS FOR PDFs, THESE PLANS AS PRINTED MAY NOT BE TO SCALE. USE DIMENSIONS WHERE NOTED. IF SCALING IS NECESSARY, WE RECOMMEND YOU USE A DIMENSION ON THE PLAN AS THE BASIS TO CALCULATE THE DIFFERENCE BETWEEN IT AND WHAT YOUR SCALING TOOL READS.
2.	CARE HAS BEEN TAKEN TO COMPLY WITH FEDERAL 2010 ACCESSIBILITY STANDARDS DURING DESIGN PHASE. HOWEVER, OWNER IS RESPONSIBLE FOR ENSURING APPROPRIATE T.A.S. COMPLIANCE @ TIME OF INSPECTION.
	MARCH 15, 2012 IS THE COMPLIANCE DATE FOR USING THE 2010 REVISED REQUIREMENTS FOR NEW CONSTRUCTION, ALTERATIONS, PROGRAM ACCESSIBILITY, AND BARRIER REMOVAL.
	ALTHOUGH UNDER CERTAIN CIRCUMSTANCES, THE REVISED REGULATIONS PERMIT THE USE OF THE 2010 STANDARDS BEFORE THE COMPLIANCE DATE OF MARCH 15, 2012. ENTITIES ARE NOT REQUIRED TO COMPLY WITH THE 2010 STANDARDS UNTIL MARCH 15, 2012.
3.	FLAT SCREEN TVs ILLUSTRATED IN THESE PLANS WERE BASED ON MODELS SHOWN ON DWG. ID.4.3. TWO BASIC SIZES WERE DETERMINED OPTIMUM SIZES FOR OVERALL DESIGN COHESION.
	TVs SMALLER OR LARGER OR BY A DIFFERENT MANUFACTURER MAY NOT BALANCE WITH THE SURROUNDING INTERIOR DESIGN, AND USE OF LARGER MODELS MAY REQUIRE A DIFFERENT TV MOUNTING BRACKET.

INTERIOR DESIGN SYMBOL LEGEND	
SYMBOL	DESCRIPTION
(X)	SPECIALTY LIGHT FIXTURE (REFER TO INTERIOR DESIGNER'S KEYED NOTES, THIS DWG.)
XXX	COMPONENT TAG---SEE DWG. ID.FS.1
(XX)	KEYED NOTE (REFER TO THIS DWG.)
(XX ID.XX)	ELEVATION VIEW & DRAWING WHERE IT CAN BE FOUND
(XX)	ROOM TRIM & MOULDING COMBINATION
*	DIMENSION TAKEN DIRECTLY FROM ARCHITECTURAL DRAWINGS REV. ISSUED 3, 2-14-12
---	KELLER SPRINGS CROWN ASS'Y. USED AT PERIMETER OF 10'-3" & 10'-8 1/2" CEILINGS
⊠	ADD'L. STUD FRAMING NOT SHOWN ON ARCHITECTURAL PLANS
▲	FINISHED DIMENSION---ALL OTHER DIMENSIONS ARE ROUGH DIMENSIONS U.N.
(XX)	FLOOR FINISH---REFER TO INTERIOR DESIGN SPECIFICATIONS ON DWG. ID.FS.1
(XX)	WALL FINISH---REFER TO INTERIOR DESIGN SPECIFICATIONS ON DWG. ID.FS.1
■	DROPPED SOFFIT---BOTTOM OF FRAMING EL. 8'-0" A.F.F. UNLESS NOTED
(XX)	PRESENTATION NOTE TO CLIENT, STRUCTURAL ENGINEER, AND/OR MEP CONTRACTOR (NOT USED IN ISSUED FOR CONSTRUCTION DRAWINGS)
○	6" DIA. RECESSED CAN PER LIGHTING CONTRACTOR AND SPECIFIED ON INTERIOR DESIGN MEP KEYED NOTES 1, ITEM #7 (THIS SHEET)
●	4" DIA. RECESSED CAN PURCHASED BY LIGHTING CONTRACTOR AND SPECIFIED ON INTERIOR DESIGN MEP KEYED NOTES 1, ITEM #6 (THIS SHEET)
○	36" DIA. SURFACE-MOUNT FIXTURE PER INTERIOR DESIGNER (SEE INTERIOR DESIGN MEP KEYED NOTES 1, ITEM #10 (THIS SHEET))

ROOM TRIM & MOULDING COMBINATION LEGEND			
TAG NO.	ROOM	GRADE	DESCRIPTION
1	LOBBY, LEASING	STAIN & SPECIAL SURFACING	KELLER SPRINGS BASE THROUGHOUT (EXCEPT @ COLUMNS), Keller SPRINGS CROWN ASS'Y. @ PERIMETER OF 10'-3" CEILING, VENEER PANELING @ COLUMNS & ACRYLIC BACKLIT PANEL. CUSTOM CABINETS PER INTERIOR DESIGNER'S FABRICATION DWGS. RECESSED LIGHT COVE W/WALLCOVERING 1 ON CEILING
2	MANAGER, ASST. MGR.	PAINT	KELLER SPRINGS BASE
3	WORKROOM, STORAGE	PAINT	MFG. CABINETS @ WORKROOM ONLY BY ARCHITECT. VINYL BASE TO MATCH FLOORING
4	MEN, WOMEN	PAINT	TILE BASE. TILE WALLS TO APPROX. 50" A.F.F. WALLCOVERING ABOVE. BRUSHED STAINLESS IN-WALL AMENITY FIXTURES AS SPECIFIED BY INTERIOR DESIGNER
5	KITCHEN, GREAT ROOM, INTERNET CAFE, DINING	STAIN	KELLER SPRINGS BASE THROUGHOUT, KELLER SPRINGS CROWN ASS'Y @ PERIMETER OF 10'-8 1/2" CEILING, VENEER PANELING @ CEILING, DROPPED PAINTED CYP SOFFIT, CUSTOM CABINETS PER INTERIOR DESIGNER'S FABRICATION DWGS. BUILT-IN BANQUETTE PURCHASED BY INTERIOR DESIGNER
6	GAMES	STAIN	KELLER SPRINGS BASE, CUSTOM CASED OPENINGS AT ENTRANCES, KELLER SPRINGS WALL TRIM @ TV, GAMING ACCESSORY OPENINGS AND ABOVE DRINK RAIL AT REAR WALL
7	FITNESS	PAINT	KELLER SPRINGS BASE THROUGHOUT, KELLER SPRINGS CROWN ASS'Y @ PERIMETER OF 10'-8 1/2" CEILING, THREE MIRROR WALLS, CUSTOM TOWEL CABINET PER INTERIOR DESIGNER'S FABRICATION DWGS.
8	CLUB/ LEASING CORRIDOR	PAINT	KELLER SPRINGS BASE THROUGHOUT (EXCEPT @ COLUMNS), KELLER SPRINGS CROWN ASS'Y @ PERIMETER OF 10'-8 1/2" CEILING OUTSIDE FITNESS
9	MAIL	PAINT	KELLER SPRINGS BASE THROUGHOUT. INTERIOR DESIGNER TO SELECT MAIL BOX FINISHES FROM ARCHITECT'S SELECTED VENDOR OPTIONS

WOOD SPECIES FOR CUSTOM CABINETS AND TRIMS SHOULD RESEMBLE FURNITURE-GRADE MATERIALS. MAPLE OR ALDER ARE OPTIONS, BUT BUILDER SHOULD ASK THE CABINETMAKER FOR SUGGESTIONS THAT WILL PROVIDE AN EVEN, FINE-GRAINED APPEARANCE. SMALLER TRIMS MAY REQUIRE HARDWOOD SELECTION.

ELECTRICAL SYMBOL LEGEND					
NOTE: ALL SYMBOLS MAY NOT APPEAR ON INTERIOR DESIGNER'S DRAWINGS. REFER TO ELECTRICAL ENGINEER'S PLANS FOR DETAILS, WIRING AND OTHER IMPORTANT INFORMATION REGARDING ELECTRICAL EQUIPMENT AND SYSTEMS. THIS LEGEND IS PROVIDED BY THE ELECTRICAL ENGINEER AS A COURTESY TO THE INTERIOR DESIGNER. PLEASE SEE THE ADJACENT INTERIOR DESIGNER'S KEYED MEP NOTES FOR FURTHER INFORMATION. SYMBOLS ARE NOT TO SCALE.					
SYMBOL	DESCRIPTION	HEIGHT	SYMBOL	DESCRIPTION	HEIGHT
\$	SINGLE POLE SINGLE THROW TOGGLE SWITCH (NOTE L-1)	48"	⊠	EXIT SIGN, CEILING/WALL MOUNTED. PROVIDE ARROWS AS INDICATED ON DRAWINGS	
\$3/\$4	THREE-WAY TOGGLE SWITCH/FOUR-WAY TOGGLE SWITCH (NOTE L-1)	48"	⊠	EMERGENCY LIGHTING FIXTURE	
\$M	MOTOR RATED SWITCH		■	PANELBOARD - WALL MOUNTED (RECESSED)	
\$K	KEYED SWITCH	48"	■	PANELBOARD - WALL MOUNTED (SURFACE)	
\$T	TIMER SWITCH	48"	○	MOTOR	
D	DIMMER SWITCH (NOTE L-1)	48"	□ 60/3R	NONFUSIBLE DISCONNECT SWITCH, RATING/POLES/NEMA ENCLOSURE	
D3	THREE-WAY DIMMER SWITCH (NOTE L-1)	48"	□ 60/3R/40	FUSIBLE DISCONNECT SWITCH, RATING/POLES/NEMA ENCLOSURE/FUSE RATING	
⊠/⊠	DUPLEX / QUAD RECEPTACLE OUTLET (NOTE L-1)	18"	⊠ SIZE 2/3R	MAGNETIC MOTOR STARTER. NEMA SIZE RATING/ENCLOSURE (NEMA 1 IF NOT SHOWN)	
(WP)	(WP)=WEATHERPROOF, "GFI"-GROUND FAULT INTERRUPTER		⊠ SIZE 2/3R	COMBINATION MAGNETIC MOTOR STARTER AND DISCONNECT MEANS, NEMA SIZE RATING/ENCLOSURE (NEMA 1 IF NOT SHOWN)	
⊠/⊠ AC	G.F.C.I. DUPLEX RECEPTACLE OUTLET WALL/ABOVE COUNTER MOUNTED (NOTE L-1)	18"/43"	□	CURRENT TRANSFORMER CABINET	48"
⊠	ISOLATED GROUND DUPLEX RECEPTACLE OUTLET	18"	□	POWER METER AND SOCKET	
⊠	SPECIAL PURPOSE RECEPTACLE OUTLET, NEMA CONFIGURATION TO MATCH PLUS. (NOTE L-1)	18"	□	FIRE ALARM MANUAL STATION	48"
⊠	SPLIT WIRED DUPLEX RECEPTACLE. ONE RECEPTACLE SHALL BE SWITCHED AS SHOWN ON PLANS (NOTE L-1)	18"	⊠ M 10	FIRE ALARM HORN/SPEAKER WITH VISUAL DEVICE (NOTE L-3). NUMERAL INDICATES CANDELA RATING	
⊠/⊠	DUPLEX RECEPTACLE OUTLET, CEILING MOUNTED/FLOOR MOUNTED		⊠ H	FIRE ALARM HORN/SPEAKER (NOTE L-3)	
⊠	MULTI-OUTLET ASSEMBLY WITH OUTLETS ON CENTERS AS INDICATED IN NOTES OR SPECIFICATIONS MOUNT 6" ABOVE COUNTER OR AS INDICATED		⊠ 110	FIRE ALARM VISUAL DEVICE (NOTE L-3). NUMERAL INDICATES CANDELA RATING	
⊠	FIRE-RATED POKE-THRU DEVICE		▽	FIREMAN PHONE JACK	
⊠/⊠	JUNCTION BOX, CEILING/WALL/FLOOR MOUNTED		▽ F	FIRE PHONE	
⊠	ARROWHEAD INDICATES HOMERUN. X-1,3,5 ADJACENT TO HOMERUN ARROWHEADS INDICATES HOMERUN TO PANEL X CIRCUIT NUMBERS 1,3, AND 5.		⊠/⊠	SMOKE DETECTOR (CEILING/WALL MOUNTED 4" MIN. AND 12" MAX. FROM CEILING)	
⊠	INDICATES CIRCUIT CONTINUATION OF CIRCUITS 3 AND 5 OF PANEL X.		⊠	THERMAL DETECTOR, CEILING MOUNTED	
⊠	MARKS ACROSS RACEWAY SYMBOLS INDICATE THE NUMBER OF #12 CONDUCTORS (2 PHASE, 1 NEUTRAL) UNLESS OTHERWISE NOTED. NO MARKS INDICATES TWO #12 CONDUCTORS. EQUIPMENT GROUNDING CONDUCTORS ARE NOT INDICATED BY MARKS.		⊠	CONNECTION TO FIRE PROTECTION SYSTEM FLOW SWITCH	
⊠	RACEWAY/CABLE CONCEALED IN WALL AND/OR ABOVE CEILING		⊠	CONNECTION TO FIRE PROTECTION SYSTEM TAMPER SWITCH	
⊠	RACEWAY CONCEALED BELOW GRADE OR IN-SLAB		⊠	FIRE ALARM CONNECTION TO SMOKE/FIRE DOOR HOLD-OPEN DEVICE	
⊠	RACEWAY/CABLE CONCEALED IN WALL AND/OR ABOVE CEILING - EMERGENCY CIRCUIT		⊠	DUCT MOUNTED SMOKE DETECTOR	
⊠	RACEWAY INSTALLED EXPOSED		⊠	REMOTE STATION FOR DUCT MOUNTED SMOKE DETECTOR	
⊠	GROUNDING CONNECTION (SYSTEM AND/OR EQUIPMENT)		⊠	FIRE ALARM CONTROL PANEL, SURFACE/RECESSED	
⊠	CONDUIT TURNING UP/DOWN		⊠	FIRE ALARM ANNUNCIATOR PANEL, RECESSED	
⊠	CONDUIT STUB. TERMINATE IN INSULATED BUSHING OR CAP IF UNDERGROUND		⊠	TELEPHONE OUTLET, WALL MOUNTED/ABOVE COUNTER (NOTES L-1, L-2)/FLOOR MOUNTED	18"/43"
⊠	FLUORESCENT LIGHTING FIXTURE, 2X4, 1X4, 2X2		⊠	COMBINATION TELEPHONE/DATA OUTLET, WALL MOUNTED/ABOVE COUNTER (NOTE L-1, L-2)/FLOOR	18"/43"
⊠	FLUORESCENT LIGHTING FIXTURE, 2X4, 1X4, 2X2 - PROVIDING EMERGENCY ILLUMINATION		⊠	DATA OUTLET, WALL MOUNTED/ABOVE COUNTER (NOTE L-1, L-2)/FLOOR MOUNTED	18"/43"
⊠	FLUORESCENT LIGHTING FIXTURE - OVERHEAD/WALL MOUNTED		⊠	TELEVISION OUTLET WALL MOUNTED (NOTE L-1)/CEILING MOUNTED/FLOOR MOUNTED	18"
⊠	EMERGENCY LIGHTING FIXTURE - OVERHEAD/WALL MOUNTED		LEGEND NOTES		
⊠	FLUORESCENT STRIP FIXTURE - OVERHEAD/WALLMOUNTED		L-1	MOUNTING HEIGHTS NOTED ARE TO THE CENTER OF DEVICE ABOVE FINISHED FLOOR, UNLESS NOTED OTHERWISE.	
⊠	DIRECTIONAL OR WALL WASH LIGHTING FIXTURE		L-2	STUB 3/4" CONDUIT 6" ABOVE ACCESSIBLE CEILING AND TERMINATE WITH NYLON GROMMET.	
⊠	LIGHT TRACK AND LIGHT TRACK FIXTURES		L-3	FIRE ALARM VISUAL DEVICES SHALL BE WALL-MOUNTED 90" AFF OR 6" BELOW CEILING, WHICHEVER IS LOWER. AUDIBLE ONLY DEVICES SHALL BE WALL-MOUNTED AT NOT LESS THAN 90" AFF AND NOT LESS THAN 6" BELOW CEILING.	
⊠	POLE MOUNTED LIGHT FIXTURE WITH ARM. SEE PLANS FOR NUMBER OF LUMINAIRES.				
⊠	POST TOP OR BOLLARD LIGHT FIXTURE				
⊠	CEILING/PENDANT MOUNTED PADDLE FAN				

KELLER SPRINGS CLUBHOUSE

ADDISON, TEXAS

INTERIOR DESIGN DRAWINGS

EMBREY PARTNERS, LTD

SAN ANTONIO, TX

REVISED FOR CONSTRUCTION
MAY 16, 2012

KELLER SPRINGS CLUBHOUSE
ADDISON, TX

DRAWING LIST

DRAWING NUMBER	DRAWING TITLE
ID.0	DRAWING LIST, LEGEND & NOTES
ID.1	DETAIL LOCATION PLAN
ID.2	REFLECTED CEILING PLAN
ID.2A	ENLARGED PLAN & SECTION @ LOBBY LIGHT COVE
ID.2B	ENLARGED REFLECTED CEILING PLAN @ GREAT ROOM PANELING AND SOFFIT
ID.3	MISC. ELECTRICAL PLAN
ID.4.0	MISC. TRIMS, DETAILS & LOBBY LIGHT PANEL SECTIONS THRU LOBBY ELEMENTS & GAMES ROOM TRIM ASS'YS.
ID.4.1	MISC. DETAILS & SPECIFICATIONS
ID.4.2	INTERIOR DESIGNER'S PREFERRED FLAT SCREEN TV MODELS & MOUNTING BRACKETS
ID.4.3	EQUIPMENT SPECIFICATIONS, SHEET 1
ID.4.4	EQUIPMENT SPECIFICATIONS, SHEET 2
ID.4.5	RESTROOM ACCESSORIES SPECIFICATIONS
ID.5	GENERAL SECTIONS & ELEVATION @ GAMES
ID.6.0	ENLARGED KITCHEN PLAN
ID.6.1	ENLARGED KITCHEN ELEVATIONS, SECTION @ TV RECESS & CORNER DETAIL
ID.6.2	ENLARGED KITCHEN ELEVATION & SECTIONS
ID.6.3	KITCHEN ISLAND & FITNESS TOWEL CABINET ELEVATIONS & SECTION
ID.7.0	MISC. ENLARGED PLANS
ID.7.1	ENLARGED MISC. ELEVATIONS & SECTIONS
ID.7.2	ENLARGED ELEVATIONS & SECTIONS @ GREAT ROOM & GAMES CABINETS
ID.7.3	ENLARGED ELEVATIONS & SECTIONS @ GAMES
ID.FS.0	FINISH SPECIFICATIONS PLAN
ID.FS.1	FINISH SCHEDULE & MISC. SPECIFICATIONS
ID.FP	FURNITURE PLAN

DRAWING LIST, LEGEND & NOTES

ADDED FABRICATION DETAILS 5-16-12

© 2012 M. FORD & ASSOCIATES INC.
THIS DOCUMENT IS PUBLISHED AS AN INSTRUMENT OF SERVICE AND IS GIVEN IN CONFIDENCE. IT REMAINS THE PROPERTY OF M. FORD & ASSOCIATES, INC. THIS DOCUMENT, AND THE INFORMATION CONTAINED HEREIN, MAY NOT BE REPRODUCED OR DISCLOSED WITHOUT WRITTEN CONSENT OF M. FORD & ASSOCIATES, INC. HOUSTON, TEXAS

m ford

m. ford & associates
interior design
99 deterring street
suite 165
houston, tx 77007
phone 713-630-0800
fax 713-630-0814
mford@mfordassociates.com
www.mfordassociates.com

drawn by:
Queen of the World

SHEET NO.

ID.0

The Texas Board of Architectural Examiners
333 Guadalupe, Suite 2-350 PO Box 12337
Austin, TX 78701-3942 Austin, TX 78711-2337

Telephone (512) 305-9000
has jurisdiction over individuals licensed under the Interior Designer's Registration Law Texas Civil Statutes, Article 249e

ANY DRAWINGS OR SPECIFICATIONS ARE FOR DESIGN INTENT ONLY. THESE ARE NOT INTENDED FOR ARCHITECTURAL/ENGINEERING PURPOSES.

INTERIOR DESIGN MEP KEYED NOTES	
LIGHTING	
1	INTERIOR DESIGNER'S DRAWINGS LOCATE THE FOLLOWING SPECIALTY LIGHTING FIXTURES. FIXTURES ARE ORDERED BY INTERIOR DESIGNER & PURCHASED BY OWNER UNLESS NOTED. FURTHER INFORMATION ON THESE FIXTURES CAN BE FOUND UNDER "LIGHTING SPECIFICATIONS" ON DWG. ID.FS.1:
1	(1) LOBBY CHANDELIER, "MANIFESTO" BY LUSIVE DECOR (REFER TO DWG. ID.FS.1) ON DIMMER.
2	(4~ 8'L.G. 2~ 3'L.G. & 2~ 48" L.G. ALL NOMINAL LENGTHS) LOBBY COVE STRIP LIGHTS---CORELIGHT SERIES, CS COVE SOLO S-175-1C-120, NO DIMMING---COOPER LIGHTING W/150W BULB EACH
3	(3) BILLIARDS FIXTURE---CUSTOM "RAY 5" BY FLOSS USA (SEE DWG. ID.FS.1) ON DIMMERS.
4	(6) CORRIDOR SURFACE MOUNT "UNA" FIXTURE BY OCL (SEE DWG. ID.FS.1)
5	(4) 52" DIA. FITNESS CEILING FANS WITH NO LIGHT KITS (SEE DWG. ID.FS.1)
6	(16) 4" DIA. RECESSED CAN (50W) INCANDESCENT LOW-VOLTAGE DOWNLIGHT WITH PINHOLE APERTURE TRIM. SELECTED BY LIGHTING CONTRACTOR---PAINTED TO MATCH CEILING.
7	(23) 6" DIA. RECESSED CAN (50W) FLUORESCENT SELECTED BY LIGHTING CONTRACTOR. PAINTED TO MATCH CEILING. (NO DIMMING). SEE LIGHTING PLAN FOR EMERGENCY KIT LOCATIONS.
8	(20) 4" DIA. RECESSED CAN (50W) INCANDESCENT LOW-VOLTAGE DOWNLIGHT (WALL-WASHER) WITH ADJUSTABLE SLOT APERTURE TRIM. SELECTED BY LIGHTING CONTRACTOR---PAINTED TO MATCH CEILING.
9	(3) BUSINESS CENTER PENDANT FIXTURES, CUSTOM "ROCK CANDY" BY STONE LIGHTING (SEE DWG. ID.FS.1) ON DIMMERS.
10	(1) 36" DIA. CORRIDOR CUSTOM SURFACE-MOUNT DRUM FIXTURE BY STONEGATE DESIGNS (SEE DWG. ID.FS.1)
11	(4) UP/DOWN LINEAR WALL MOUNTED WALL WASHERS BY OCL (SEE DWG. ID.FS.1) ON DIMMERS.
12	(6) LED FIXTURES BY 3FORM. REFER TO ITEM #3 IN ID.DOC FOR SPECIFICATIONS.
2	LIGHT FIXTURES THAT ARE DIMENSIONALLY LOCATED ARE CRITICAL TO FURNISHINGS PLACEMENT AND ANY CHANGES TO THESE LOCATIONS SHOULD BE COORDINATED WITH THE INTERIOR DESIGNER.
3	INTERIOR DESIGNER ASSUMES NO RESPONSIBILITY FOR LIGHTING DESIGN. ANY MODEL NUMBERS FOR FIXTURES CALLED OUT ON REFLECTED CEILING PLANS ARE SUGGESTIONS ONLY, AND SHOULD BE EVALUATED BY A LIGHTING PROFESSIONAL FOR APPROPRIATENESS.
4	ALL LIGHT FIXTURES ARE SPECIFIED BY OTHERS, EXCEPT THOSE NOTED AS BY INTERIOR DESIGNER IN LEGEND ABOVE.
5	CAREFULLY AVOID PLACING SAFETY LIGHTING, STROBES, OR HORNS IN AREAS ON ELEVATIONS DESIGNATED AS "SPACE FOR ART".
6	NOT USED
7	SWITCHPLATE SAMPLES ARE TO BE PROVIDED TO INTERIOR DESIGNER FOR COLOR SELECTIONS.
8	LOCATE SWITCHES AND/OR EMERGENCY LIGHTS OR ALARMS AS CLOSE TO CORNER AND/OR DOOR AS POSSIBLE.
9	6"DIA. FLUORESCENT DOWNLIGHTS (BY LIGHTING CONTRACTOR) TO BE ON SEPARATE SWITCH NORMALLY OFF (USED FOR ROOM/EQUIPMENT MAINTENANCE SERVICES ONLY)
9A	6"DIA. FLUORESCENT DOWNLIGHTS (BY LIGHTING CONTRACTOR)
ELECTRICAL	
10	ELECTRICAL SYMBOLS IN ADDITION TO, RELOCATED FROM, OR IN LIEU OF, LOCATIONS SHOWN ON ELECTRICAL PLANS, REV. 6 EMAILED TO INTERIOR DESIGNER ON 4-3-2012. IN THE EVENT OF DISCREPANCY BETWEEN THIS DWG. & MEP CONSTRUCTION DWGS, BUILDER IS TO CONTACT INTERIOR DESIGNER.
11	RECEPTACLES THAT ARE DIMENSIONALLY LOCATED ARE CRITICAL TO FURNISHINGS PLACEMENT. ANY CHANGES TO THESE LOCATIONS SHOULD BE COORDINATED WITH INTERIOR DESIGNER.
12	HEIGHT OF RECEPTACLES TO BE PER LOCAL BUILDING CODES AND T.A.S. ACCESSIBILITY REQUIREMENTS UNLESS AS INDICATED IN NOTE 10 ABOVE.
13	RECEPTACLE PLATE SAMPLES TO BE PROVIDED TO INTERIOR DESIGNER FOR SELECTION.
14	ALL FLOOR RECEPTACLES ARE TO BE BRUSHED STAINLESS FINISH.
FRAMING	
15	FRAMERS ARE TO CAREFULLY CENTER STUDS AS SHOWN ON DWG. ID.1 AT FIVE RECESSED TV LOCATIONS TO FACILITATE INSTALLATION OF TRIM CABINETS.
PLUMBING	
16	MEP IS TO ENSURE THAT PLUMBING STUB UPS ARE COORDINATED WITH LATEST RESTROOM, COFFEE BAR AND KITCHEN PLANS. UPDATED PLUMBING CAD FILES HAD NOT BE ISSUED TO INTERIOR DESIGNER AS OF 4-23-12.
HVAC	
17	REFLECTED CEILING PLAN SHOWS HVAC REGISTER LOCATIONS FROM HVAC PLAN REV. 8 3-27-12.

INTERIOR DESIGN MISC. NOTES	
1.	DUE TO THE VARIATIONS OF PRINTER SETTINGS FOR PDFs, THESE PLANS AS PRINTED MAY NOT BE TO SCALE. USE DIMENSIONS WHERE NOTED. IF SCALING IS NECESSARY, WE RECOMMEND YOU USE A DIMENSION ON THE PLAN AS THE BASIS TO CALCULATE THE DIFFERENCE BETWEEN IT AND WHAT YOUR SCALING TOOL READS.
2.	CARE HAS BEEN TAKEN TO COMPLY WITH FEDERAL 2010 ACCESSIBILITY STANDARDS DURING DESIGN PHASE. HOWEVER, OWNER IS RESPONSIBLE FOR ENSURING APPROPRIATE T.A.S. COMPLIANCE @ TIME OF INSPECTION. MARCH 15, 2012 IS THE COMPLIANCE DATE FOR USING THE 2010 REVISED REQUIREMENTS FOR NEW CONSTRUCTION, ALTERATIONS, PROGRAM ACCESSIBILITY, AND BARRIER REMOVAL. ALTHOUGH UNDER CERTAIN CIRCUMSTANCES, THE REVISED REGULATIONS PERMIT THE USE OF THE 2010 STANDARDS BEFORE THE COMPLIANCE DATE OF MARCH 15, 2012. ENTITIES ARE NOT REQUIRED TO COMPLY WITH THE 2010 STANDARDS UNTIL MARCH 15, 2012.
3.	FLAT SCREEN TVs ILLUSTRATED IN THESE PLANS WERE BASED ON MODELS SHOWN ON DWG. ID.4.3. TWO BASIC SIZES WERE DETERMINED OPTIMUM SIZES FOR OVERALL DESIGN COHESION. TVs SMALLER OR LARGER OR BY A DIFFERENT MANUFACTURER MAY NOT BALANCE WITH THE SURROUNDING INTERIOR DESIGN, AND USE OF LARGER MODELS MAY REQUIRE A DIFFERENT TV MOUNTING BRACKET.

INTERIOR DESIGN SYMBOL LEGEND	
SYMBOL	DESCRIPTION
X	SPECIALTY LIGHT FIXTURE (REFER TO INTERIOR DESIGNER'S KEYED NOTES, THIS DWG.)
XXX	COMPONENT TAG---SEE DWG. ID.FS.1
XX	KEYED NOTE (REFER TO THIS DWG.)
XX	ELEVATION VIEW & DRAWING WHERE IT CAN BE FOUND
XX	ROOM TRIM & MOULDING COMBINATION
*	DIMENSION TAKEN DIRECTLY FROM ARCHITECTURAL DRAWINGS REV. ISSUED 3, 2-14-12
---	KELLER SPRINGS CROWN ASSY. USED AT PERIMETER OF 10'-3" & 10'-8 1/2" CEILINGS
+	ADD'L. STUD FRAMING NOT SHOWN ON ARCHITECTURAL PLANS
▲	FINISHED DIMENSION---ALL OTHER DIMENSIONS ARE ROUGH DIMENSIONS U.N.
XX	FLOOR FINISH---REFER TO INTERIOR DESIGN SPECIFICATIONS ON DWG. ID.FS.1
XX	WALL FINISH---REFER TO INTERIOR DESIGN SPECIFICATIONS ON DWG. ID.FS.1
---	DROPPED SOFFIT---BOTTOM OF FRAMING EL. 8'-0" A.F.F. UNLESS NOTED
XX	PRESENTATION NOTE TO CLIENT, STRUCTURAL ENGINEER, AND/OR MEP CONTRACTOR (NOT USED IN ISSUED FOR CONSTRUCTION DRAWINGS)
○	6" DIA. RECESSED CAN PER LIGHTING CONTRACTOR AND SPECIFIED ON INTERIOR DESIGN MEP KEYED NOTES 1, ITEM #7 (THIS SHEET)
○	4" DIA. RECESSED CAN PURCHASED BY LIGHTING CONTRACTOR AND SPECIFIED ON INTERIOR DESIGN MEP KEYED NOTES 1, ITEM #8 (THIS SHEET)
○	36" DIA. SURFACE-MOUNT FIXTURE PER INTERIOR DESIGNER (SEE INTERIOR DESIGN DESIGN MEP KEYED NOTES 1, ITEM #10 (THIS SHEET))

ELECTRICAL SYMBOL LEGEND					
NOTE: ALL SYMBOLS MAY NOT APPEAR ON INTERIOR DESIGNER'S DRAWINGS. REFER TO ELECTRICAL ENGINEER'S PLANS FOR DETAILS, WIRING AND OTHER IMPORTANT INFORMATION REGARDING ELECTRICAL EQUIPMENT AND SYSTEMS. THIS LEGEND IS PROVIDED BY THE ELECTRICAL ENGINEER AS A COURTESY TO THE INTERIOR DESIGNER. PLEASE SEE THE ADJACENT INTERIOR DESIGNER'S KEYED MEP NOTES FOR FURTHER INFORMATION. SYMBOLS ARE NOT TO SCALE.					
SYMBOL	DESCRIPTION	HEIGHT	SYMBOL	DESCRIPTION	HEIGHT
S	SINGLE POLE SINGLE THROW TOGGLE SWITCH (NOTE L-1)	48"	EXIT	EXIT SIGN, CEILING/WALL MOUNTED. PROVIDE ARROWS AS INDICATED ON DRAWINGS	
S ₃ /S ₄	THREE-WAY TOGGLE SWITCH/FOUR-WAY TOGGLE SWITCH (NOTE L-1)	48"	EMERGENCY	EMERGENCY LIGHTING FIXTURE	
S _M	MOTOR RATED SWITCH		PANELBOARD	PANELBOARD - WALL MOUNTED (RECESSED)	
S _K	KEYED SWITCH	48"	PANELBOARD	PANELBOARD - WALL MOUNTED (SURFACE)	
S _T	TIMER SWITCH	48"	MOTOR	MOTOR	
D	DIMMER SWITCH (NOTE L-1)	48"	NONFUSIBLE	NONFUSIBLE DISCONNECT SWITCH, RATING/POLES/NEMA ENCLOSURE	
D ₃	THREE-WAY DIMMER SWITCH (NOTE L-1)	48"	FUSIBLE	FUSIBLE DISCONNECT SWITCH, RATING/POLES/NEMA ENCLOSURE/FUSE RATING	
Φ / Φ	DUPLEX / QUAD RECEPTACLE OUTLET (NOTE L-1)	18"	SIZE 2/3R	MAGNETIC MOTOR STARTER. NEMA SIZE RATING/ENCLOSURE (NEMA 1 IF NOT SHOWN)	
Φ / Φ	(*WP)=WEATHERPROOF, *GFI=GROUND FAULT INTERRUPTER		SIZE 2/3R	COMBINATION MAGNETIC MOTOR STARTER AND DISCONNECT MEANS, NEMA SIZE RATING/ENCLOSURE (NEMA 1 IF NOT SHOWN)	
Φ / Φ	G.F.C.I. DUPLEX RECEPTACLE OUTLET WALL/ABOVE COUNTER MOUNTED (NOTE L-1)	18"/43"	CT	CURRENT TRANSFORMER CABINET	48"
Φ	ISOLATED GROUND DUPLEX RECEPTACLE OUTLET	18"	PM	POWER METER AND SOCKET	
Φ	SPECIAL PURPOSE RECEPTACLE OUTLET, NEMA CONFIGURATION TO MATCH PLUG. (NOTE L-1)	18"	FA	FIRE ALARM MANUAL STATION	48"
Φ	SPLIT WIRED DUPLEX RECEPTACLE. ONE RECEPTACLE SHALL BE SWITCHED AS SHOWN ON PLANS (NOTE L-1)	18"	EM ₁₀	FIRE ALARM HORN/SPEAKER WITH VISUAL DEVICE (NOTE L-3), NUMERAL INDICATES CANDELA RATING	
Φ / Φ	DUPLEX RECEPTACLE OUTLET, CEILING MOUNTED/FLOOR MOUNTED		EH	FIRE ALARM HORN/SPEAKER (NOTE L-3)	
Φ / Φ	MULTI-OUTLET ASSEMBLY WITH OUTLETS ON CENTERS AS INDICATED IN NOTES OR SPECIFICATIONS MOUNT 6" ABOVE COUNTER OR AS INDICATED		EV ₁₀	FIRE ALARM VISUAL DEVICE (NOTE L-3), NUMERAL INDICATES CANDELA RATING	
Φ	FIRE-RATED POKE-THRU DEVICE		F	FIREMAN PHONE JACK	
Φ / Φ	JUNCTION BOX, CEILING/WALL/FLOOR MOUNTED		F	FIRE PHONE	
Φ / Φ	ARROWHEAD INDICATES HOMERUN. X-1,3,5 ADJACENT TO HOMERUN. ARROWHEADS INDICATES HOMERUN TO PANEL X CIRCUIT NUMBERS 1,3, AND 5.		Φ	SMOKE DETECTOR (CEILING/WALL MOUNTED 4" MIN. AND 12" MAX. FROM CEILING)	
Φ / Φ	INDICATES CIRCUIT-CONTINUATION OF CIRCUITS 3 AND 5 OF PANEL X.		Φ	THERMAL DETECTOR, CEILING MOUNTED	
Φ / Φ	MARKS ACROSS RACEWAY SYMBOLS INDICATE THE NUMBER OF #12 CONDUCTORS (2 PHASE, 1 NEUTRAL) UNLESS OTHERWISE NOTED. NO MARKS INDICATES TWO #12 CONDUCTORS. EQUIPMENT GROUNDING CONDUCTORS ARE NOT INDICATED BY MARKS.		Φ	CONNECTION TO FIRE PROTECTION SYSTEM FLOW SWITCH	
Φ / Φ	RACEWAY/CABLE CONCEALED IN WALL AND/OR ABOVE CEILING		Φ	CONNECTION TO FIRE PROTECTION SYSTEM TAMPER SWITCH	
Φ / Φ	RACEWAY CONCEALED BELOW GRADE OR IN-SLAB		Φ	FIRE ALARM CONNECTION TO SMOKE/FIRE DOOR HOLD-OPEN DEVICE	
Φ / Φ	RACEWAY/CABLE CONCEALED IN WALL AND/OR ABOVE CEILING - EMERGENCY CIRCUIT		Φ	DUCT MOUNTED SMOKE DETECTOR	
Φ / Φ	RACEWAY INSTALLED EXPOSED		Φ	REMOTE STATION FOR DUCT MOUNTED SMOKE DETECTOR	
Φ / Φ	GROUNDING CONNECTION (SYSTEM AND/OR EQUIPMENT)		Φ	FIRE ALARM CONTROL PANEL, SURFACE/RECESSED	
Φ / Φ	CONDUIT TURNING UP/DOWN		Φ	FIRE ALARM ANNUNCIATOR PANEL, RECESSED	
Φ / Φ	CONDUIT STUB. TERMINATE IN INSULATED BUSHING OR CAP IF UNDERGROUND		Φ	TELEPHONE OUTLET, WALL MOUNTED/ABOVE COUNTER (NOTES L-1, L-2)/FLOOR MOUNTED	18"/43"
Φ / Φ	FLUORESCENT LIGHTING FIXTURE, 2X4, 1X4, 2X2		Φ	COMBINATION TELEPHONE/DATA OUTLET, WALL MOUNTED/ABOVE COUNTER (NOTE L-1, L-2)/FLOOR	18"/43"
Φ / Φ	FLUORESCENT LIGHTING FIXTURE, 2X4, 1X4, 2X2 - PROVIDING EMERGENCY ILLUMINATION		Φ	DATA OUTLET, WALL MOUNTED/ABOVE COUNTER (NOTE L-1, L-2)/FLOOR MOUNTED	18"/43"
Φ / Φ	LIGHTING FIXTURE - OVERHEAD/WALL MOUNTED		Φ	TELEVISION OUTLET WALL MOUNTED (NOTE L-1)/CEILING MOUNTED/FLOOR MOUNTED	18"
Φ / Φ	EMERGENCY LIGHTING FIXTURE - OVERHEAD/WALL MOUNTED		LEGEND NOTES		
Φ / Φ	FLUORESCENT STRIP FIXTURE - OVERHEAD/WALLMOUNTED		L-1	MOUNTING HEIGHTS NOTED ARE TO THE CENTER OF DEVICE ABOVE FINISHED FLOOR, UNLESS NOTED OTHERWISE.	
Φ / Φ	DIRECTIONAL OR WALL WASH LIGHTING FIXTURE		L-2	STUB 3/4" CONDUIT 6" ABOVE ACCESSIBLE CEILING AND TERMINATE WITH NYLON GROMMET.	
Φ / Φ	LIGHT TRACK AND LIGHT TRACK FIXTURES		L-3	FIRE ALARM VISUAL DEVICES SHALL BE WALL-MOUNTED 80" AFF OR 6" BELOW CEILING, WHICHEVER IS LOWER. AUDIBLE ONLY DEVICES SHALL BE WALL-MOUNTED AT NOT LESS THAN 90" AFF AND NOT LESS THAN 6" BELOW CEILING.	
Φ / Φ	POLE MOUNTED LIGHT FIXTURE WITH ARM. SEE PLANS FOR NUMBER OF LUMINAIRES.				
Φ / Φ	POST TOP OR BOLLARD LIGHT FIXTURE				
Φ / Φ	CEILING/PENDANT MOUNTED PADDLE FAN				

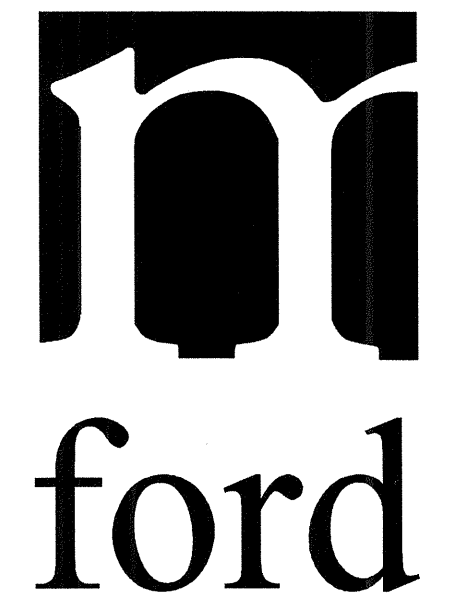
ROOM TRIM & MOULDING COMBINATION LEGEND			
TAG NO.	ROOM	GRADE	DESCRIPTION
1	LOBBY, LEASING	STAIN, & SPECIAL SURFACING	KELLER SPRINGS BASE THROUGHOUT (EXCEPT @ COLUMNS), KELLER SPRINGS CROWN ASSY. @ PERIMETER OF 10'-3" CEILING, VENEER PANELING @ COLUMNS & ACRYLIC BACKLIT PANEL. CUSTOM CABINETRY PER INTERIOR DESIGNER'S FABRICATION DWGS. RECESSED LIGHT COVE W/WALLCOVERING 1 ON CEILING. SEE NOTE**
2	MANAGER, ASST. MGR.	PAINT	KELLER SPRINGS BASE. SEE NOTE**
3	WORKROOM, STORAGE	PAINT	MFG. CABINETS @ WORKROOM ONLY BY ARCHITECT. VINYL BASE TO MATCH FLOORING. SEE NOTE**
4	MEN, WOMEN	PAINT	TILE BASE. TILE WALLS TO APPROX. 50" A.F.F. WALLCOVERING ABOVE. BRUSHED STAINLESS IN-WALL AMENITY FIXTURES AS SPECIFIED BY INTERIOR DESIGNER. SEE NOTE**
5	KITCHEN, GREAT ROOM, INTERNET CAFE, DINING	STAIN	KELLER SPRINGS BASE THROUGHOUT, KELLER SPRINGS CROWN ASSY. @ PERIMETER OF 10'-8 1/2" CEILING, VENEER PANELING @ CEILING, DROPPED PAINTED GYP SOFFIT, CUSTOM CABINETRY PER INTERIOR DESIGNER'S FABRICATION DWGS. BUILT-IN BANQUETTE PURCHASED BY INTERIOR DESIGNER. SEE NOTE**
6	GAMES	STAIN	KELLER SPRINGS BASE, CUSTOM CASED OPENINGS AT ENTRANCES, KELLER SPRINGS WALL TRIM @ TV, GAMING ACCESSORY OPENINGS AND ABOVE DRINK RAIL AT REAR WALL
7	FITNESS	PAINT	KELLER SPRINGS BASE THROUGHOUT, KELLER SPRINGS CROWN ASSY. @ PERIMETER OF 10'-8 1/2" CEILING, THREE MIRRORING WALLS, CUSTOM TOWEL CABINET PER INTERIOR DESIGNER'S FABRICATION DWGS. SEE NOTE**
8	CLUB/ LEASING CORRIDOR	PAINT	KELLER SPRINGS BASE THROUGHOUT (EXCEPT @ COLUMNS), KELLER SPRINGS CROWN ASSY. @ PERIMETER OF 10'-8 1/2" CEILING OUTSIDE FITNESS. SEE NOTE**
9	MAIL	PAINT	KELLER SPRINGS BASE THROUGHOUT, INTERIOR DESIGNER TO SELECT MAIL BOX FINISHES FROM ARCHITECT'S SELECTED VENDOR OPTIONS. SEE NOTE**

WOOD SPECIES FOR CUSTOM CABINETRY AND TRIMS SHOULD RESEMBLE FURNITURE-GRADE MATERIALS. MAPLE OR ALDER ARE OPTIONS, BUT BUILDER SHOULD ASK THE CABINETMAKER FOR SUGGESTIONS THAT WILL PROVIDE AN EVEN, FINE-GRAINED APPEARANCE. SMALLER TRIMS MAY REQUIRE HARDWOOD SELECTION.
**USE KELLER SPRINGS CASING @ DISCRETION OF BUILDER (DETAIL "3A" DWG. ID.4.0 ON ALL DOORS WITH WOOD FRAMES)

ISSUED FOR CONSTRUCTION
APRIL 23, 2012

KELLER SPRINGS CLUBHOUSE
ADDISON, TX

© 2012 M. FORD & ASSOCIATES INC.
THIS DOCUMENT IS PUBLISHED AS AN INSTRUMENT OF SERVICE AND IS GIVEN IN CONFIDENCE. IT REMAINS THE PROPERTY OF M. FORD & ASSOCIATES, INC. THIS DOCUMENT, AND THE INFORMATION CONTAINED WITHIN MAY NOT BE DUPLICATED OR DISCLOSED WITHOUT WRITTEN CONSENT OF M. FORD & ASSOCIATES, INC. HOUSTON, TEXAS

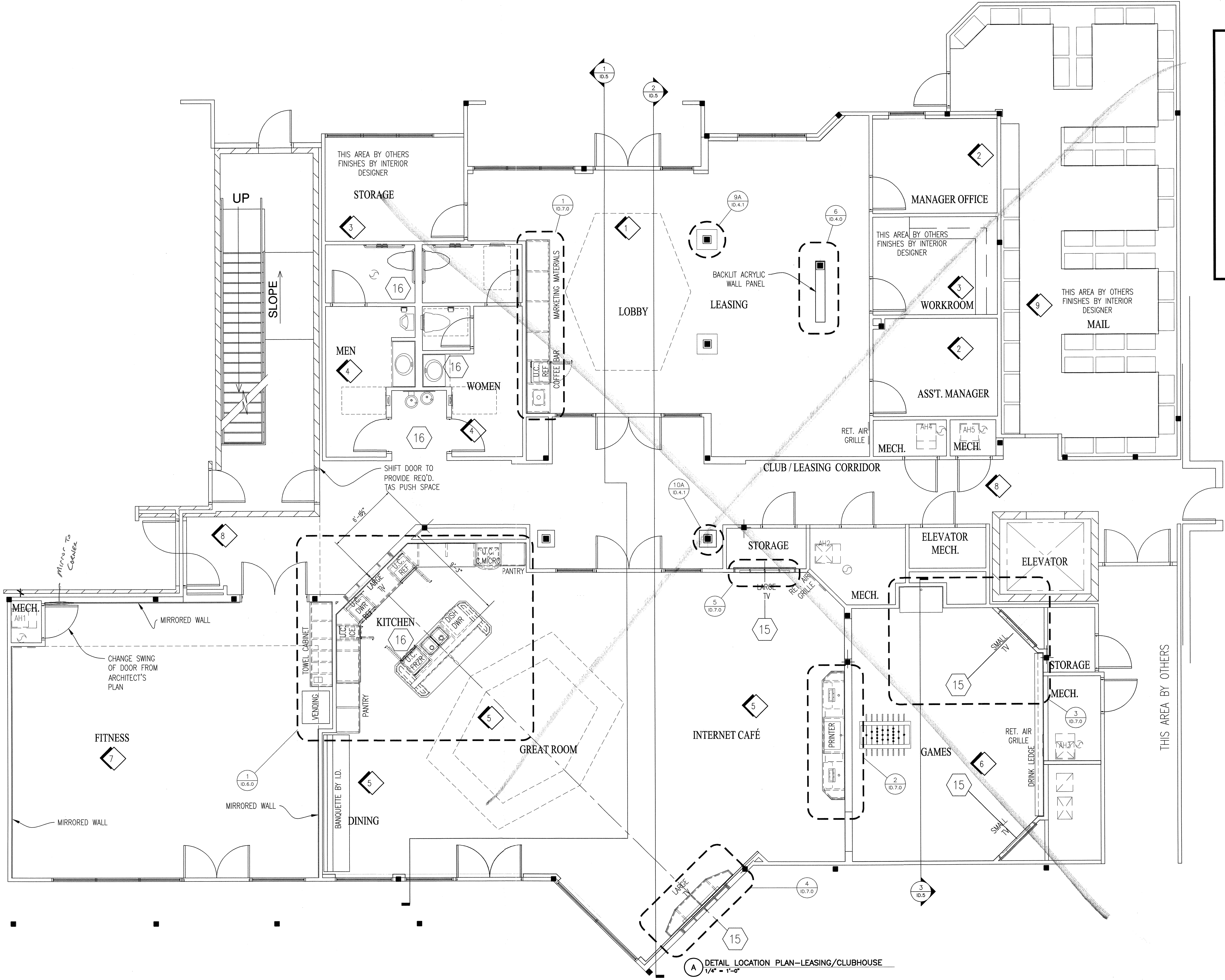


m. ford & associates
interior design
99 detersing street
suite 165
houston, tx 77007
phone 713-630-0800
fax 713-630-0814
mford@mfordassociates.com
www.mfordassociates.com

drawn by:
Queen of the World

SHEET NO.

ID.1

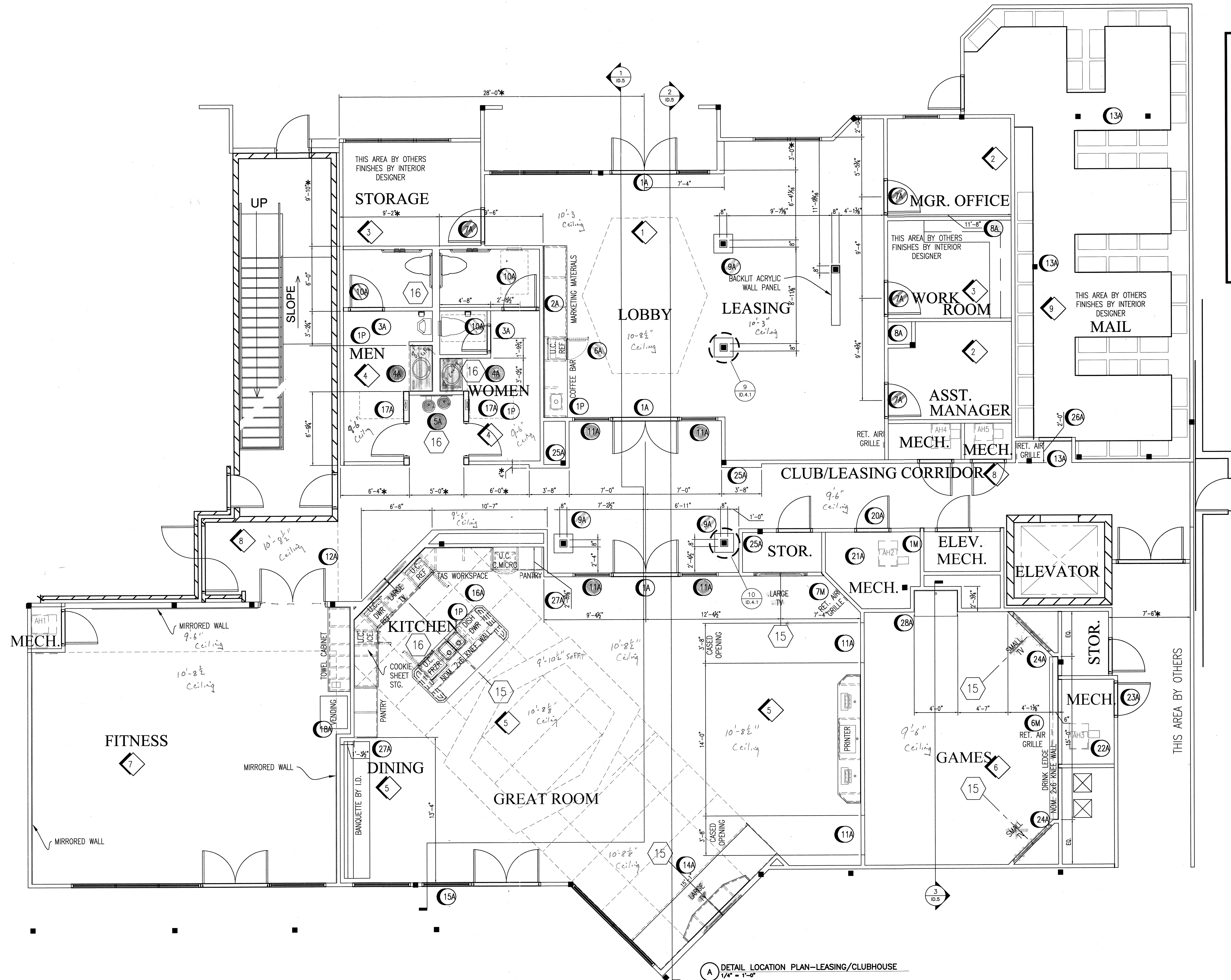


DETAIL LOCATION PLAN

A DETAIL LOCATION PLAN—LEASING/CLUBHOUSE
1/4" = 1'-0"

KELLER SPRINGS CLUBHOUSE
ADDISON, TX

ISSUED FOR PRESENTATION
NOVEMBER 9, 2011



© 2011 M. FORD & ASSOCIATES INC.
THIS DOCUMENT IS PUBLISHED AS AN INSTRUMENT OF SERVICE AND IS GIVEN IN CONFIDENCE. IT REMAINS THE PROPERTY OF M. FORD & ASSOCIATES, INC. AND THE INFORMATION CONTAINED HEREIN MAY NOT BE REPRODUCED, COPIED, OR DISCLOSED WITHOUT WRITTEN CONSENT OF M. FORD & ASSOCIATES, INC. HOUSTON, TEXAS



m. ford & associates
interior design
99 deterring street
suite 165
houston, tx 77007
phone 713-630-0800
fax 713-630-0814
mford@mfordassociates.com
www.mfordassociates.com

drawn by: Queen of the World

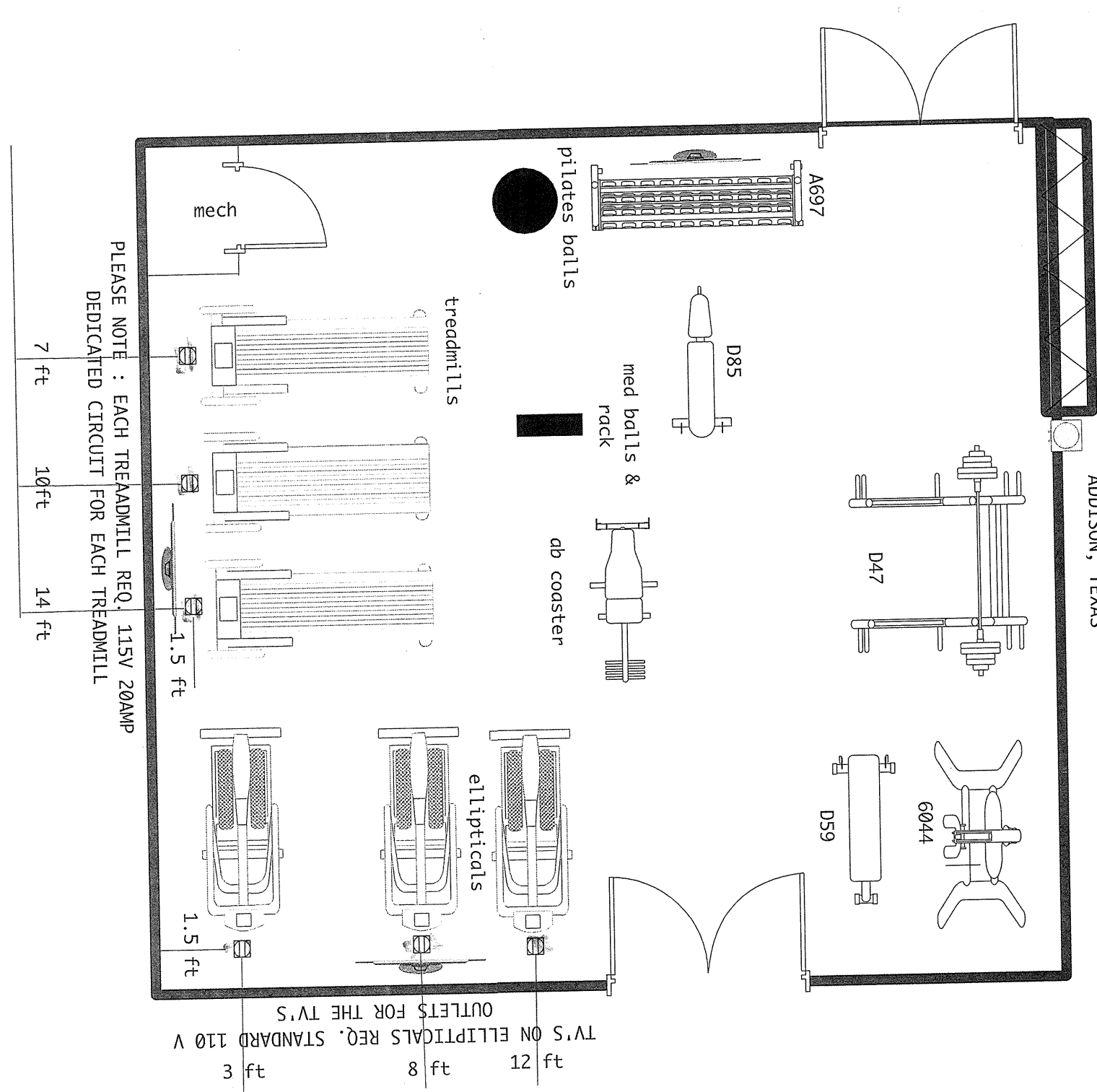
SHEET NO.

ID.1

DETAIL LOCATION PLAN

A DETAIL LOCATION PLAN-LEASING/CLUBHOUSE
1/4" = 1'-0"

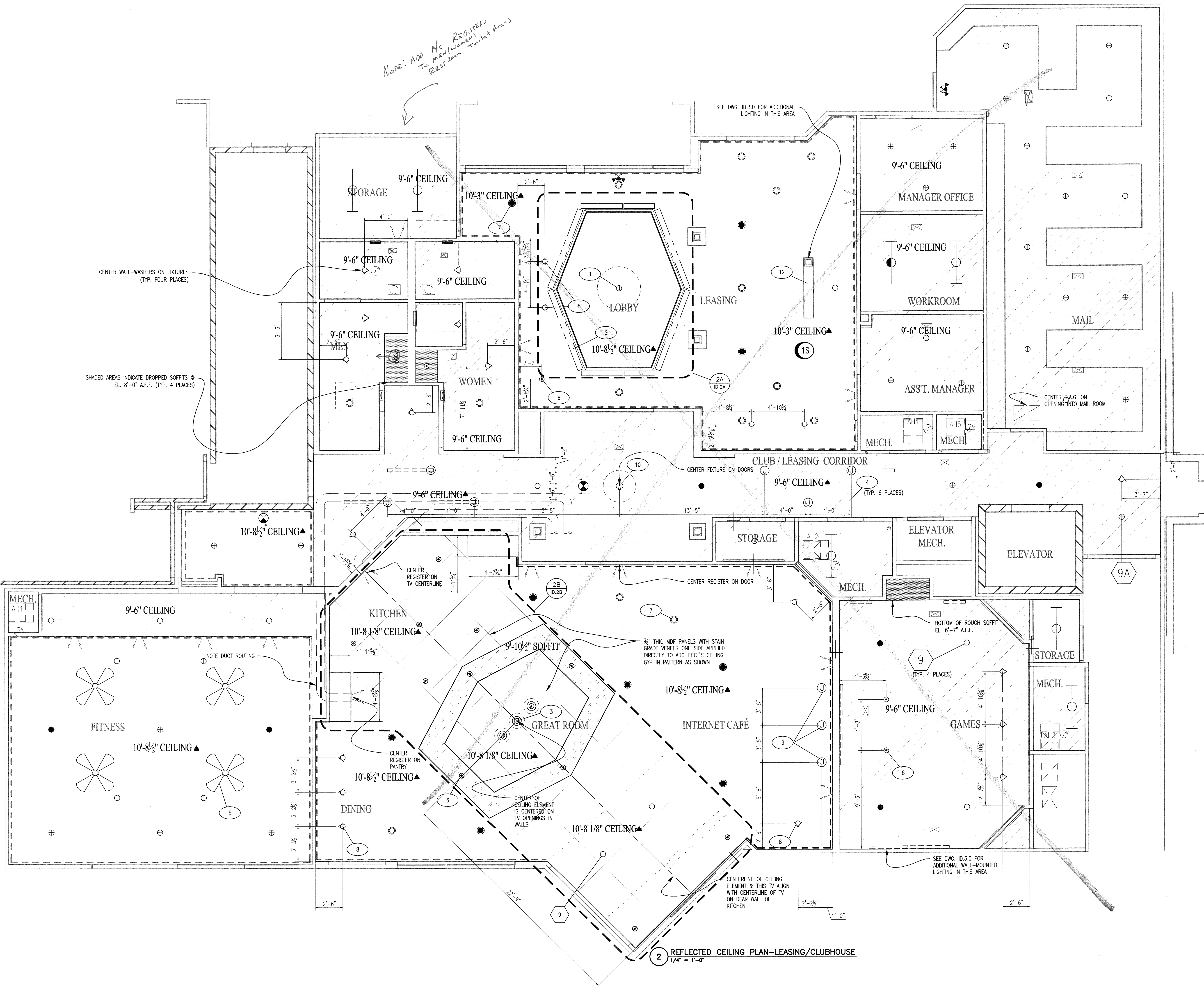
Kellen Springs
EMERY PARTNERS
CLUBHOUSE FITNESS ROOM
ADDISON, TEXAS



Electrical Floor Outlets

KELLER SPRINGS CLUBHOUSE
ADDISON, TX

ISSUED FOR CONSTRUCTION
APRIL 23, 2012



2 REFLECTED CEILING PLAN-LEASING/CLUBHOUSE
1/4" = 1'-0"

REFLECTED CEILING PLAN

© 2012 M. FORD & ASSOCIATES INC.
THIS DOCUMENT IS PUBLISHED AS AN INSTRUMENT OF SERVICE AND IS GIVEN IN CONFIDENCE. IT REMAINS THE PROPERTY OF M. FORD & ASSOCIATES, INC. THIS DOCUMENT AND THE INFORMATION CONTAINED WITHIN MAY NOT BE REPRODUCED OR DISCLOSED WITHOUT WRITTEN CONSENT OF M. FORD & ASSOCIATES, INC. HOUSTON, TEXAS.



m. ford & associates
interior design
99 detersing street
suite 165
houston, tx 77007
phone 713-630-0800
fax 713-630-0814
mford@mfordassociates.com
www.mfordassociates.com

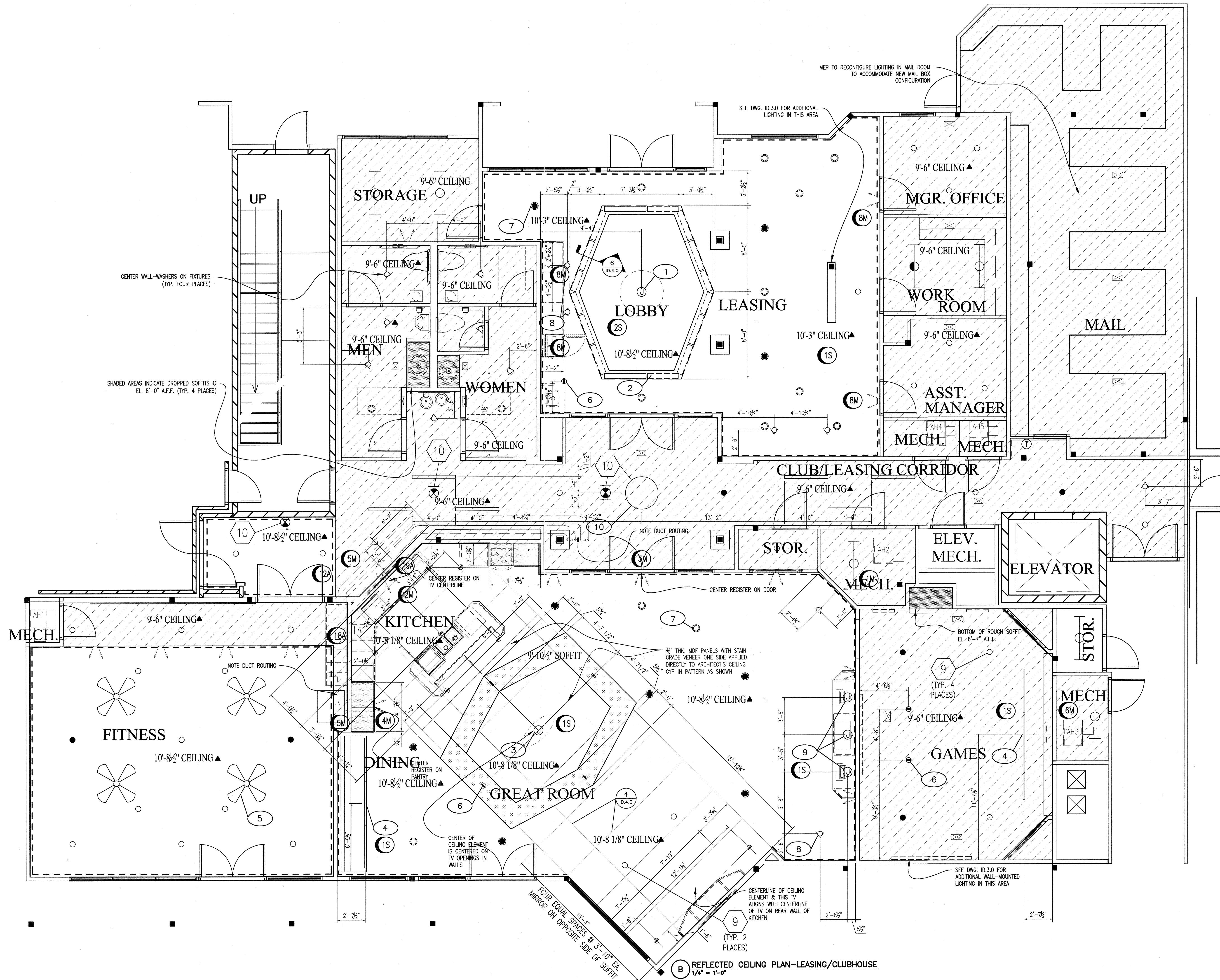
drawn by: Queen of the World

SHEET NO.

ID.2

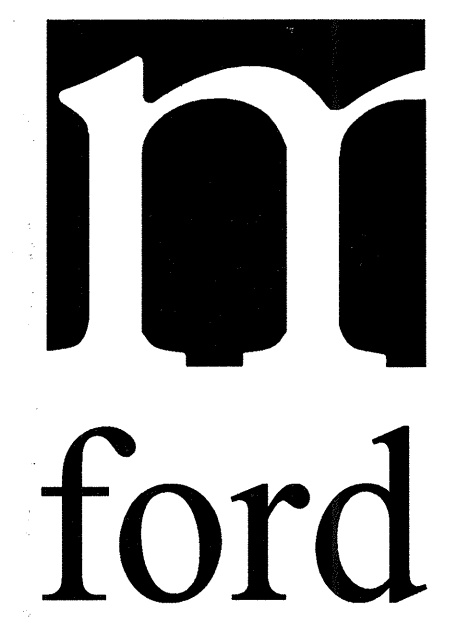
KELLER SPRINGS
CLUBHOUSE
ADDISON, TX

ISSUED FOR PRESENTATION
NOVEMBER 9, 2011



REFLECTED CEILING PLAN

© 2011 M. FORD & ASSOCIATES INC.
THIS DOCUMENT IS PUBLISHED AS AN INSTRUMENT OF SERVICE AND IS GIVEN IN CONFIDENCE. IT REMAINS THE PROPERTY OF M. FORD & ASSOCIATES, INC. AND THE INFORMATION CONTAINED WITHIN MAY NOT BE REPRODUCED, COPIED, OR DISCLOSED WITHOUT WRITTEN CONSENT OF M. FORD & ASSOCIATES, INC., HOUSTON, TEXAS.



m. ford & associates
interior design
99 detersing street
suite 165
houston, tx 77007
phone 713-630-0800
fax 713-630-0814
mford@mfordassociates.com
www.mfordassociates.com

drawn by:
Queen of the World

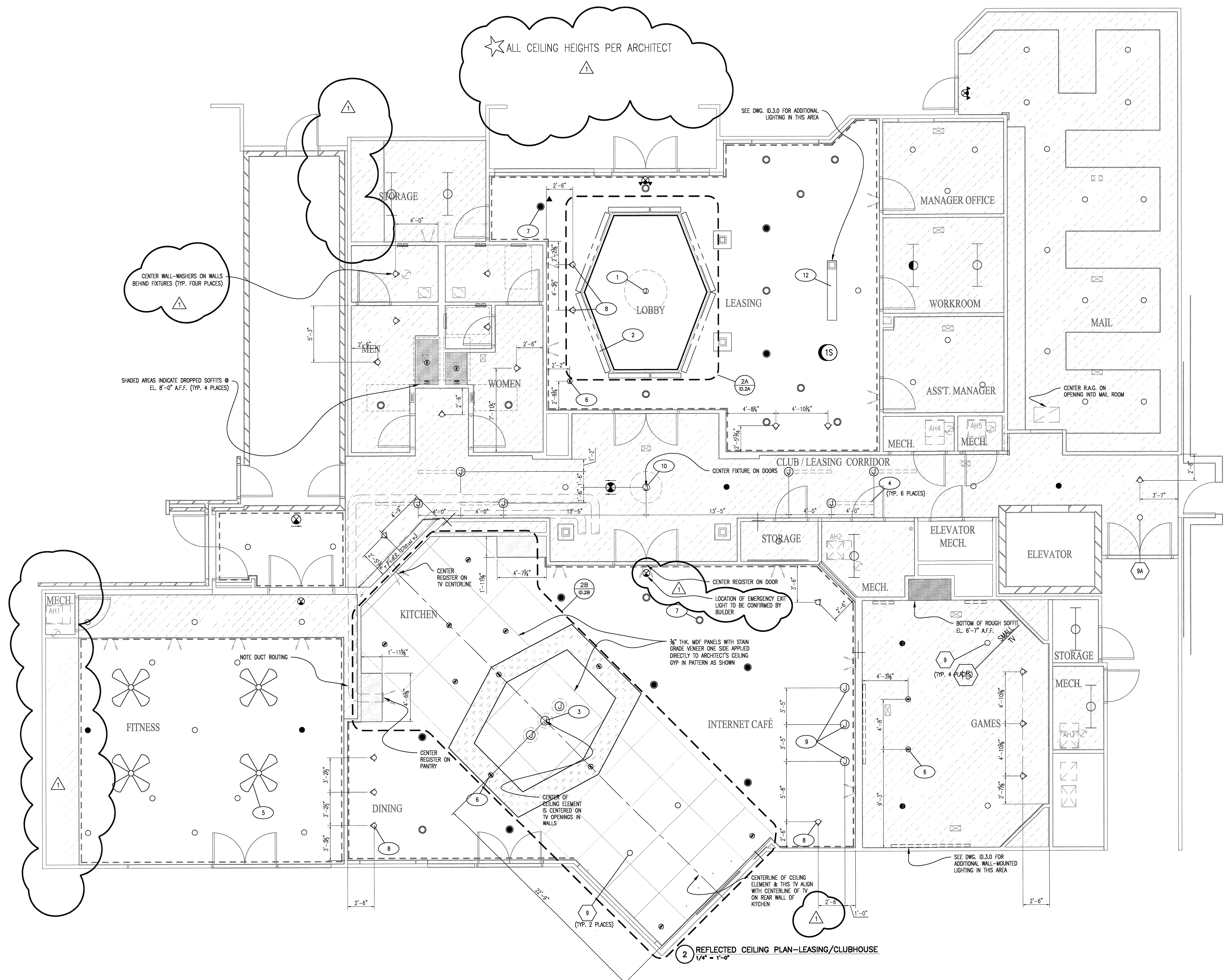
SHEET NO.

ID.2

B REFLECTED CEILING PLAN-LEASING/CLUBHOUSE
1/4" = 1'-0"

REVISED FOR CONSTRUCTION
MAY 16, 2012

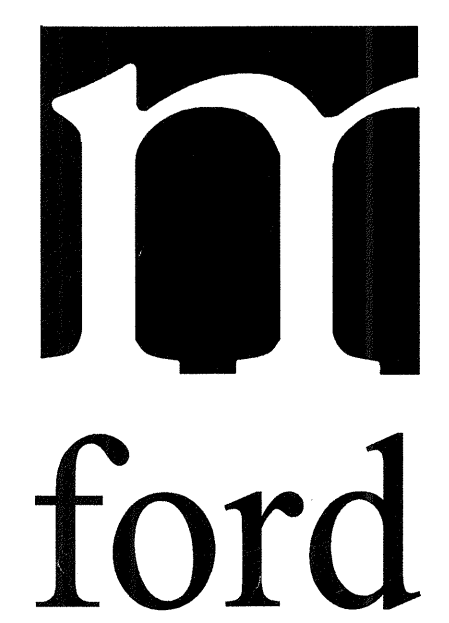
KELLER SPRINGS CLUBHOUSE
ADDISON, TX



2 REFLECTED CEILING PLAN-LEASING/CLUBHOUSE
1/4" = 1'-0"

REFLECTED CEILING PLAN

△ ADDED FABRICATION DETAILS 5-16-12
© 2012 M. FORD & ASSOCIATES, INC.
THIS DOCUMENT IS PUBLISHED AS AN INSTRUMENT OF SERVICE AND IS GIVEN IN CONFIDENCE. IT REMAINS THE PROPERTY OF M. FORD & ASSOCIATES, INC. THIS DOCUMENT, AND THE INFORMATION CONTAINED HEREIN, MAY NOT BE REPRODUCED OR TRANSMITTED IN ANY FORM OR BY ANY MEANS, ELECTRONIC OR MECHANICAL, INCLUDING PHOTOCOPYING, RECORDING, OR BY ANY INFORMATION STORAGE AND RETRIEVAL SYSTEM, WITHOUT THE WRITTEN CONSENT OF M. FORD & ASSOCIATES, INC., HOUSTON, TEXAS.



m. ford & associates
interior design
99 deterring street
suite 165
houston, tx 77007
phone 713-630-0800
fax 713-630-0814
mford@mfordassociates.com
www.mfordassociates.com

drawn by:
Queen of the World

SHEET NO.

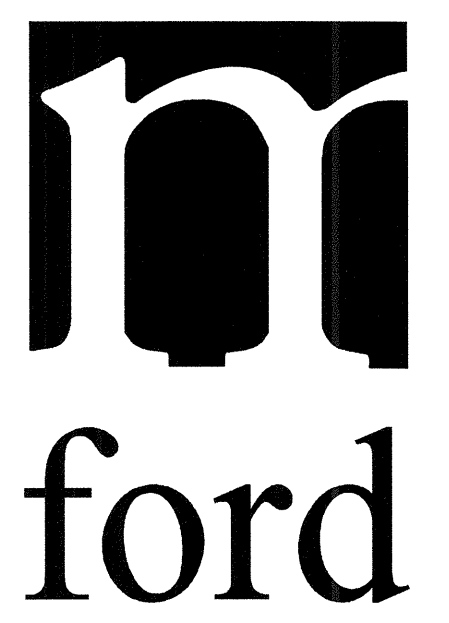
ID.2

KELLER SPRINGS
CLUBHOUSE
ADDISON, TX

ISSUED FOR CONSTRUCTION
APRIL 23, 2012

ENLARGED PLAN & SECTION @
LEASING LOBBY LIGHT COVE

© 2012 M. FORD & ASSOCIATES INC.
THIS DOCUMENT IS PUBLISHED AS AN INSTRUMENT OF
SERVICE AND IS GIVEN IN CONFIDENCE. IT REMAINS THE
PROPERTY OF M. FORD & ASSOCIATES, INC.
THIS DOCUMENT AND THE INFORMATION CONTAINED WITHIN
MAY NOT BE REPRODUCED OR DISCLOSED WITHOUT WRITTEN
CONSENT OF M. FORD & ASSOCIATES, INC., HOUSTON, TEXAS

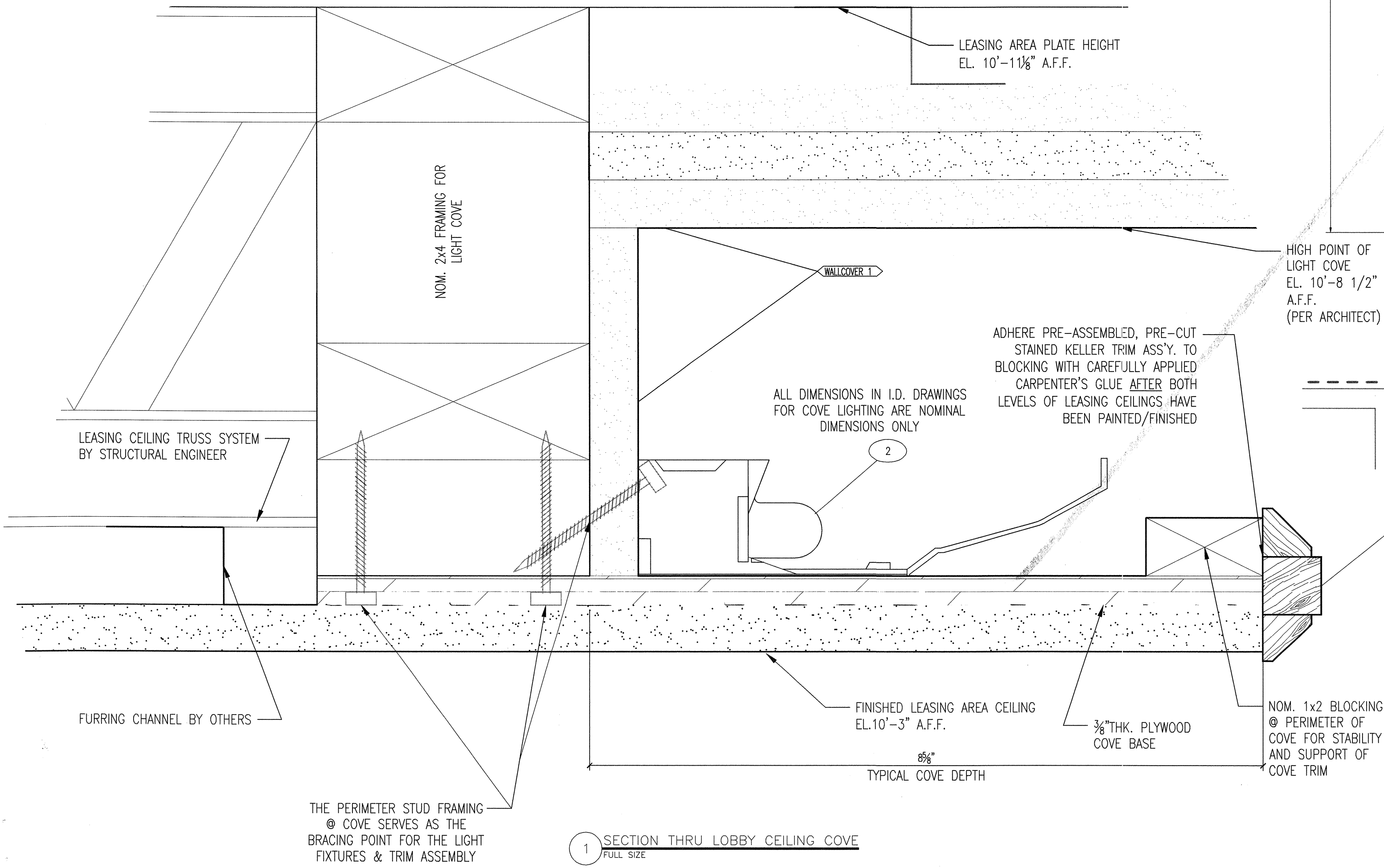
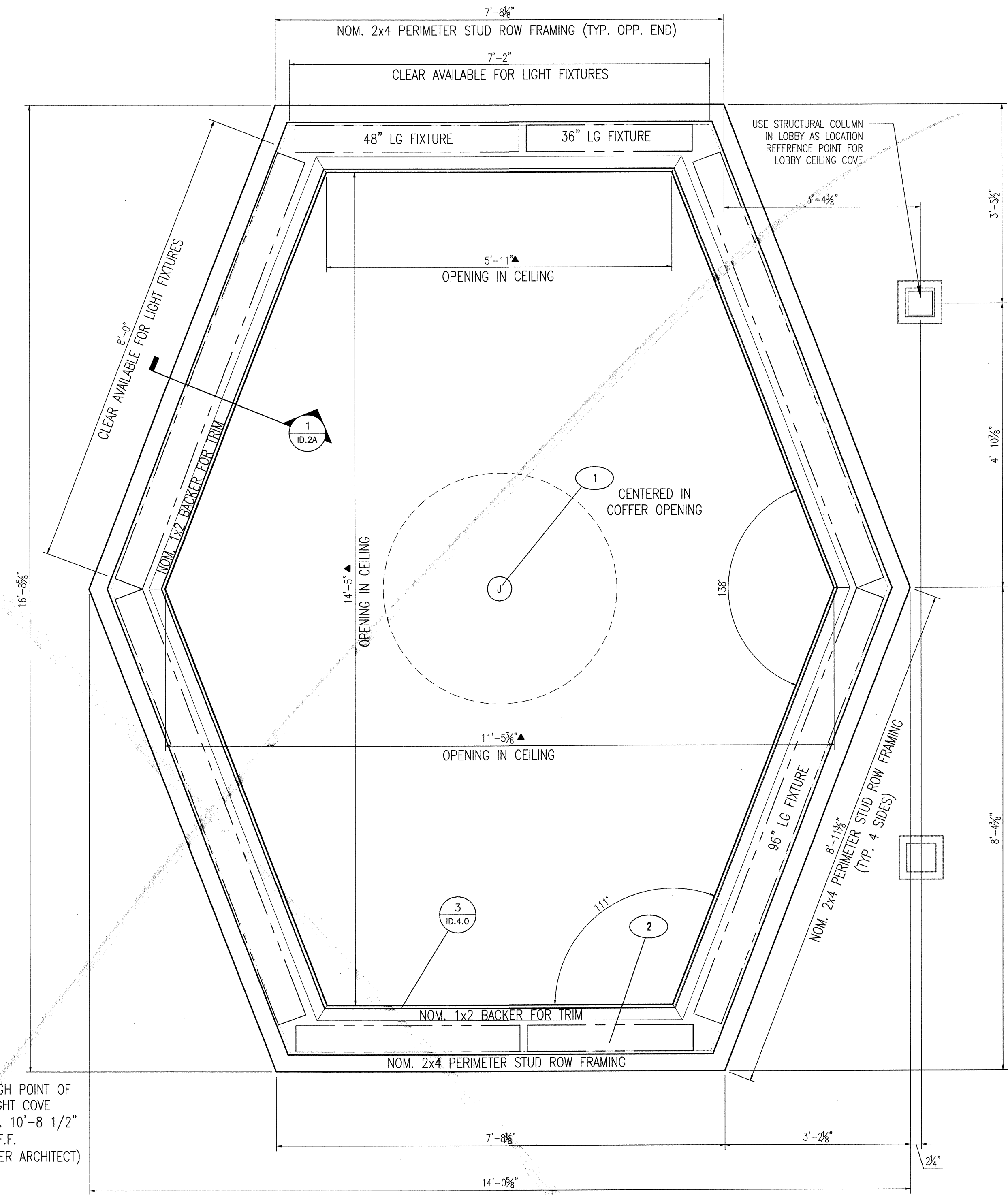


m. ford & associates
interior design
99 detersing street
suite 165
houston, tx 77007
phone 713-630-0800
fax 713-630-0814
mford@mfordassociates.com
www.mfordassociates.com

drawn by
Queen of the World

SHEET NO.

ID.2A



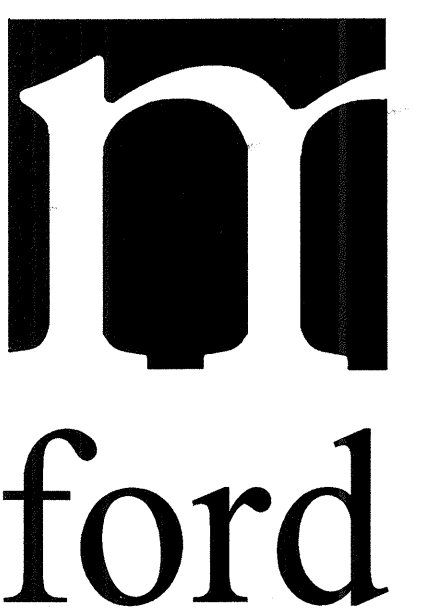
THE PERIMETER STUD FRAMING
@ COVE SERVES AS THE
BRACING POINT FOR THE LIGHT
FIXTURES & TRIM ASSEMBLY

KELLER SPRINGS CLUBHOUSE
ADDISON, TX

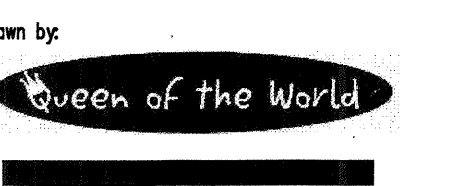
REVISED FOR CONSTRUCTION
MAY 16, 2012

ADDED FABRICATION DETAILS 5-16-12

© 2012 M. FORD & ASSOCIATES INC.
THIS DOCUMENT IS PUBLISHED AS AN INSTRUMENT OF SERVICE AND IS GIVEN IN CONFIDENCE. IT REMAINS THE PROPERTY OF M. FORD & ASSOCIATES, INC. THIS DOCUMENT AND THE INFORMATION CONTAINED WITHIN MAY NOT BE DUPLICATED OR DISCLOSED WITHOUT WRITTEN CONSENT OF M. FORD & ASSOCIATES, INC. HOUSTON, TEXAS



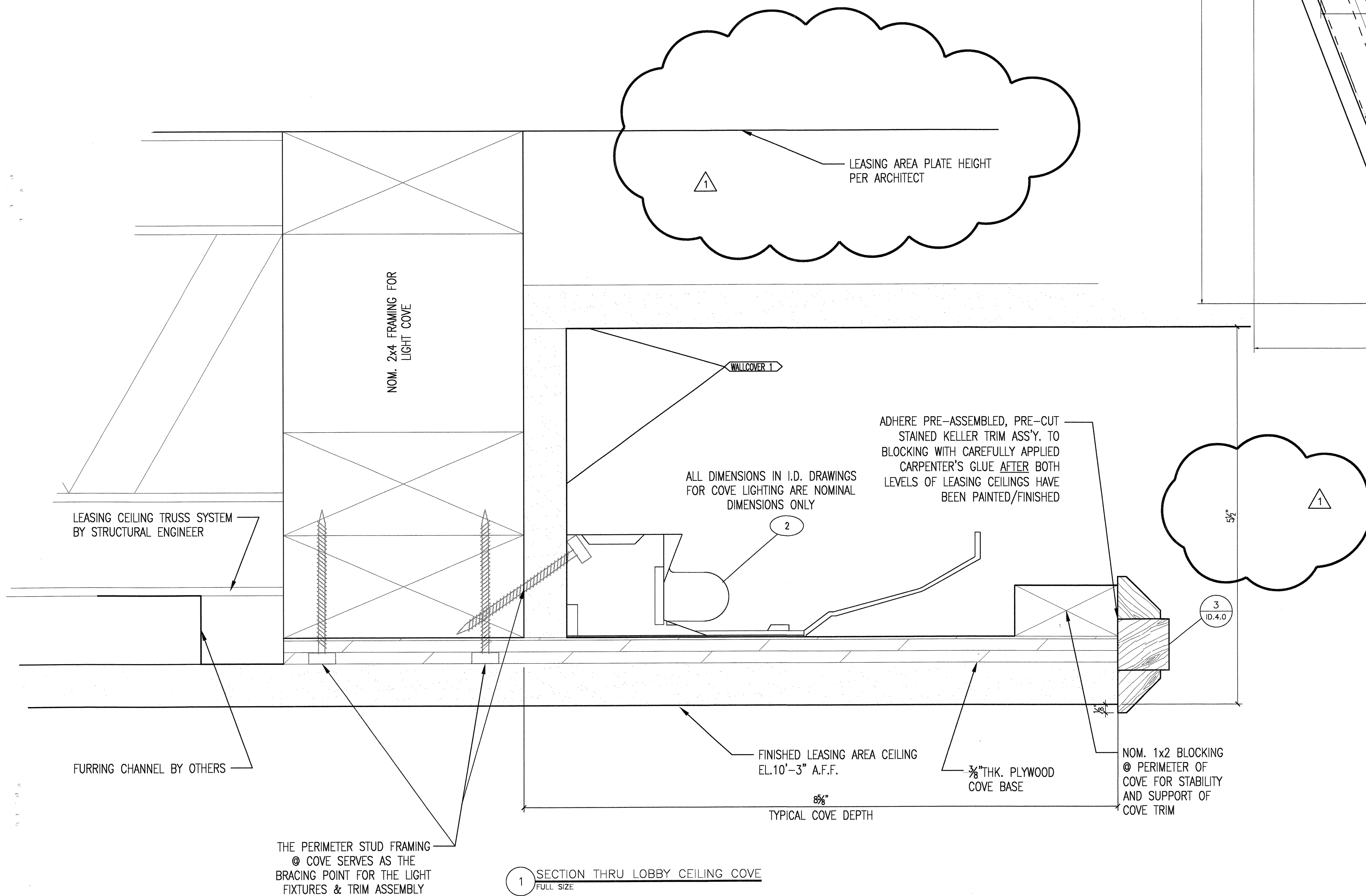
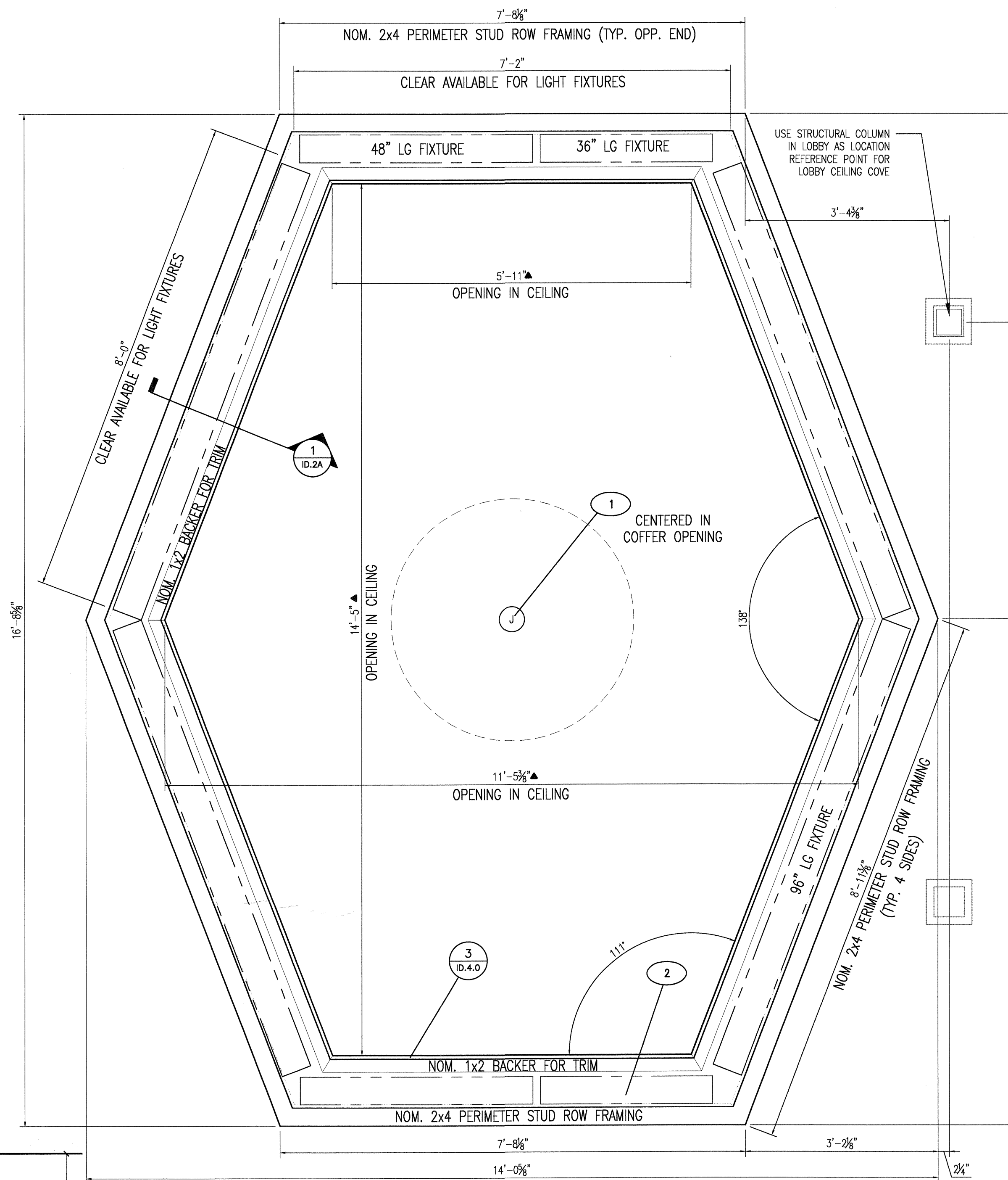
m. ford & associates
interior design
99 detersing street
suite 165
houston, tx 77007
phone 713-630-0800
fax 713-630-0814
mford@mfordassociates.com
www.mfordassociates.com



SHEET NO.

ID.2A

ENLARGED PLAN & SECTION @
LEASING LOBBY LIGHT COVE

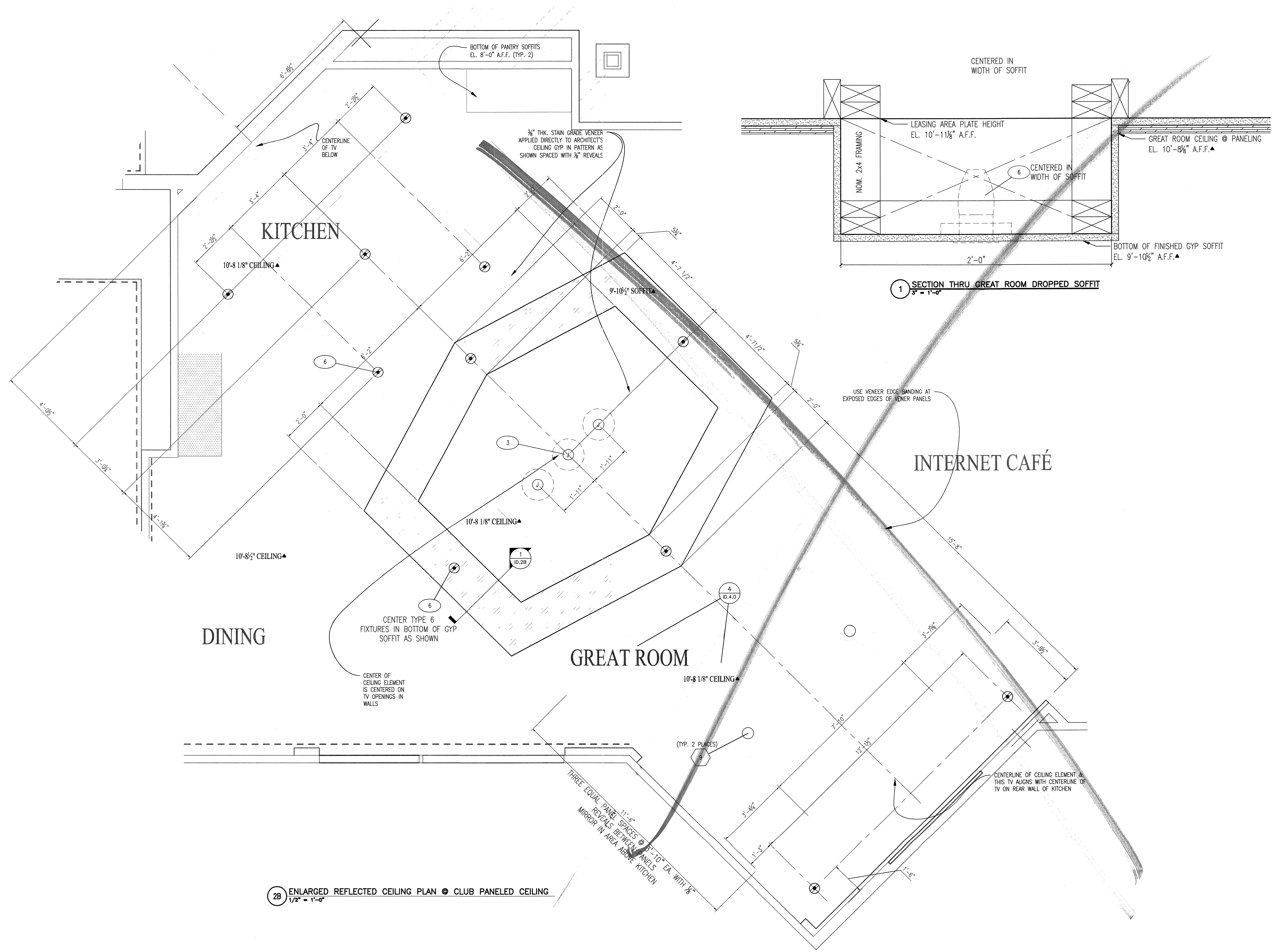


☆ ALL CEILING HEIGHTS PER ARCHITECT
1

KELLER SPRINGS CLUBHOUSE
ADDISON, TX

ISSUED FOR CONSTRUCTION
APRIL 23, 2012

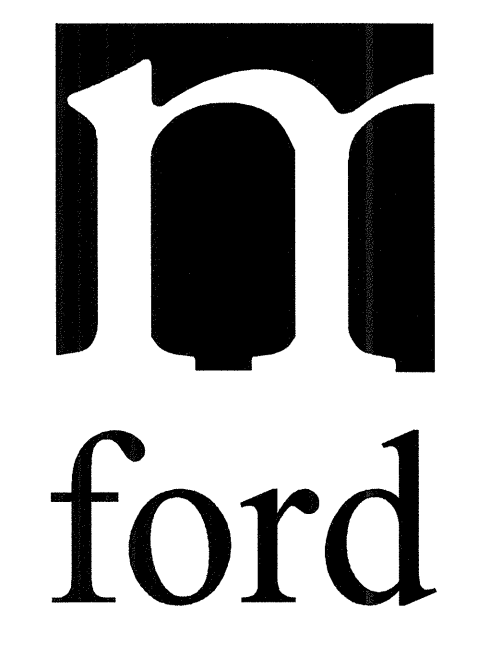
ENLARGED REFLECTED CEILING PLAN
@ GREAT ROOM CEILING PANELING & SOFFIT



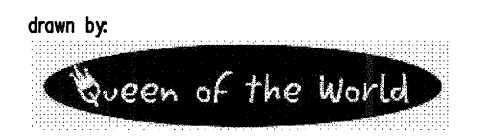
2B ENLARGED REFLECTED CEILING PLAN @ CLUB PANELED CEILING
1/2" = 1'-0"

1 SECTION THRU GREAT ROOM DROPPED SOFFIT
3/4" = 1'-0"

© 2012 M. FORD & ASSOCIATES INC.
THIS DOCUMENT IS PUBLISHED AS AN INSTRUMENT OF SERVICE AND IS GIVEN IN CONFIDENCE. IT REMAINS THE PROPERTY OF M. FORD & ASSOCIATES, INC. THIS DOCUMENT AND THE INFORMATION CONTAINED WITHIN MAY NOT BE DUPLICATED OR DISCLOSED WITHOUT WRITTEN CONSENT OF M. FORD & ASSOCIATES, INC. HOUSTON, TEXAS



m. ford & associates
interior design
99 deterring street
suite 165
houston, tx 77007
phone 713-630-0800
fax 713-630-0814
mford@mfordassociates.com
www.mfordassociates.com

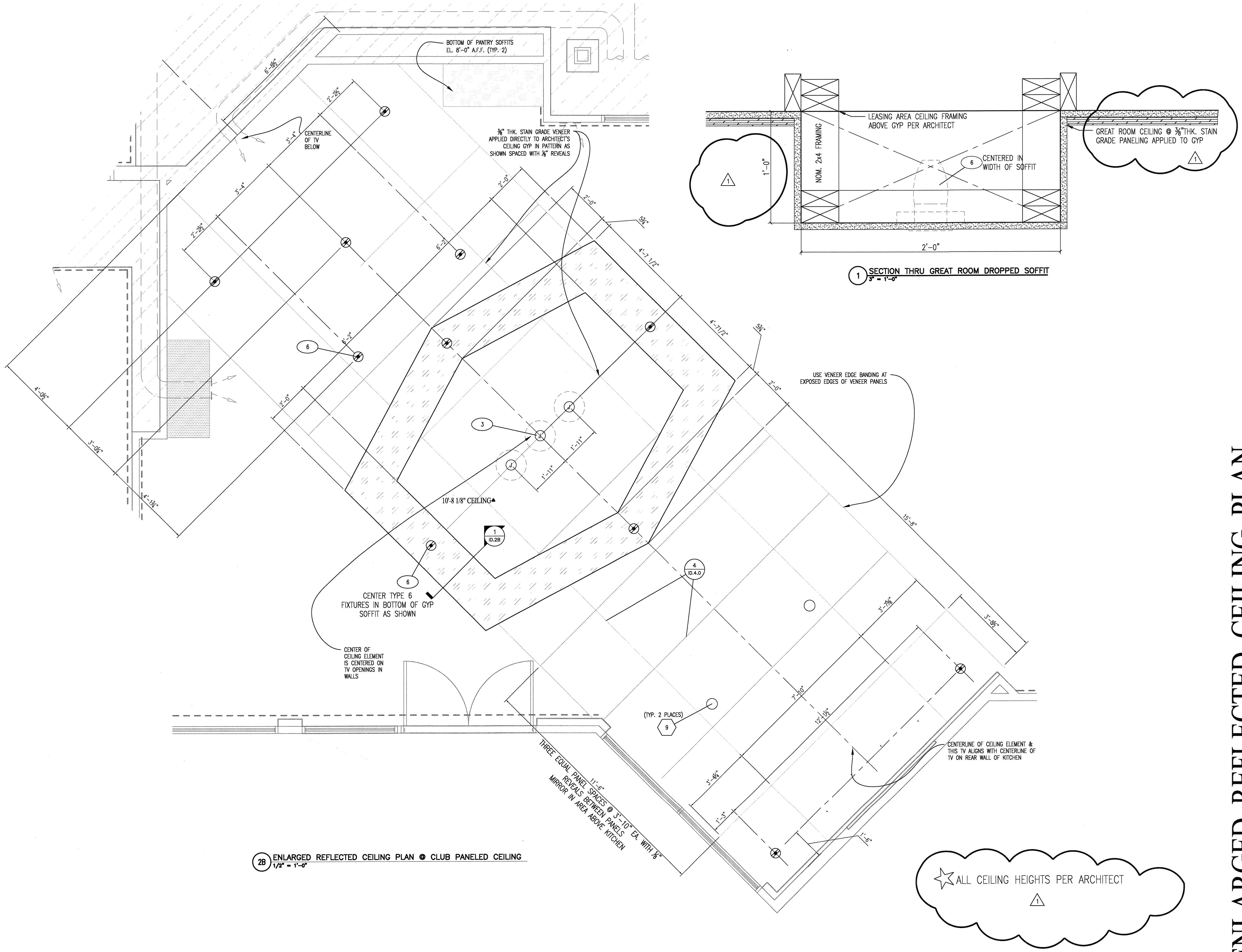


SHEET NO.

ID.2B

REVISED FOR CONSTRUCTION
MAY 16, 2012

ENLARGED REFLECTED CEILING PLAN
@ GREAT ROOM CEILING PANELING & SOFFIT



2B ENLARGED REFLECTED CEILING PLAN @ CLUB PANELED CEILING
1/2" = 1'-0"

1 SECTION THRU GREAT ROOM DROPPED SOFFIT
3" = 1'-0"

☆ ALL CEILING HEIGHTS PER ARCHITECT

△ ADDED FABRICATION DETAILS 5-16-12
© 2012 M. FORD & ASSOCIATES INC.
THIS DOCUMENT IS PUBLISHED AS AN INSTRUMENT OF SERVICE AND IS GIVEN IN CONFIDENCE. IT REMAINS THE PROPERTY OF M. FORD & ASSOCIATES, INC. THIS DOCUMENT, AND THE INFORMATION CONTAINED WITHIN, MAY NOT BE DUPLICATED OR DISCLOSED WITHOUT WRITTEN CONSENT OF M. FORD & ASSOCIATES, INC. HOUSTON, TEXAS.



m. ford & associates
interior design
99 detering street
suite 165
houston, tx 77007
phone 713-630-0800
fax 713-630-0814
mford@mfordassociates.com
www.mfordassociates.com

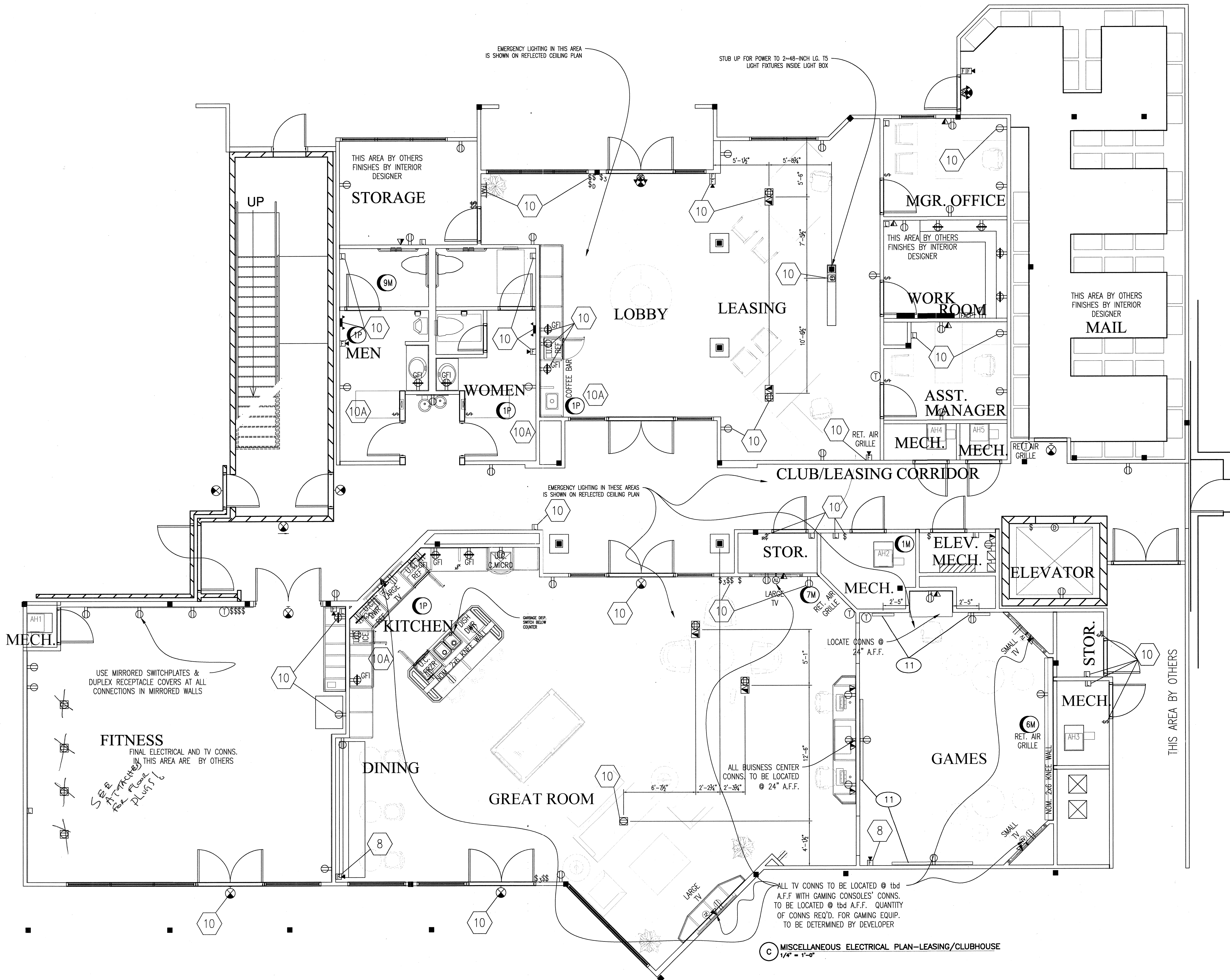
drawn by: Queen of the World

SHEET NO.

ID.2B

KELLER SPRINGS CLUBHOUSE
ADDISON, TX

ISSUED FOR PRESENTATION
NOVEMBER 9, 2011



(C) MISCELLANEOUS ELECTRICAL PLAN-LEASING/CLUBHOUSE
1/4" = 1'-0"

MISCELLANEOUS ELECTRICAL PLAN

© 2011 M. FORD & ASSOCIATES INC.
THIS DOCUMENT IS PUBLISHED AS AN INSTRUMENT OF SERVICE AND IS GIVEN IN CONFIDENCE. IT REMAINS THE PROPERTY OF M. FORD & ASSOCIATES, INC. THIS DOCUMENT, THE ELECTRONIC DATA ASSOCIATED WITH IT, AND THE INFORMATION CONTAINED WITHIN MAY NOT BE REPRODUCED, USED, OR DISCLOSED WITHOUT WRITTEN CONSENT OF M. FORD & ASSOCIATES, INC. HOUSTON, TEXAS



m. ford & associates
interior design
99 detersing street
suite 165
houston, tx 77007
phone 713-630-0800
fax 713-630-0814
mford@mfordassociates.com
www.mfordassociates.com

drawn by: Queen of the World

SHEET NO.

ID.3.0

ISSUED FOR CONSTRUCTION
APRIL 23, 2012

KELLER SPRINGS CLUBHOUSE
ADDISON, TX

MISCELLANEOUS ELECTRICAL PLAN

© 2012 M. FORD & ASSOCIATES INC.
THIS DOCUMENT IS PUBLISHED AS AN INSTRUMENT OF SERVICE AND IS GIVEN IN CONFIDENCE. IT REMAINS THE PROPERTY OF M. FORD & ASSOCIATES, INC. THIS DOCUMENT, AND THE INFORMATION CONTAINED WITHIN MAY NOT BE DUPLICATED OR DISCLOSED WITHOUT WRITTEN CONSENT OF M. FORD & ASSOCIATES, INC. HOUSTON, TEXAS

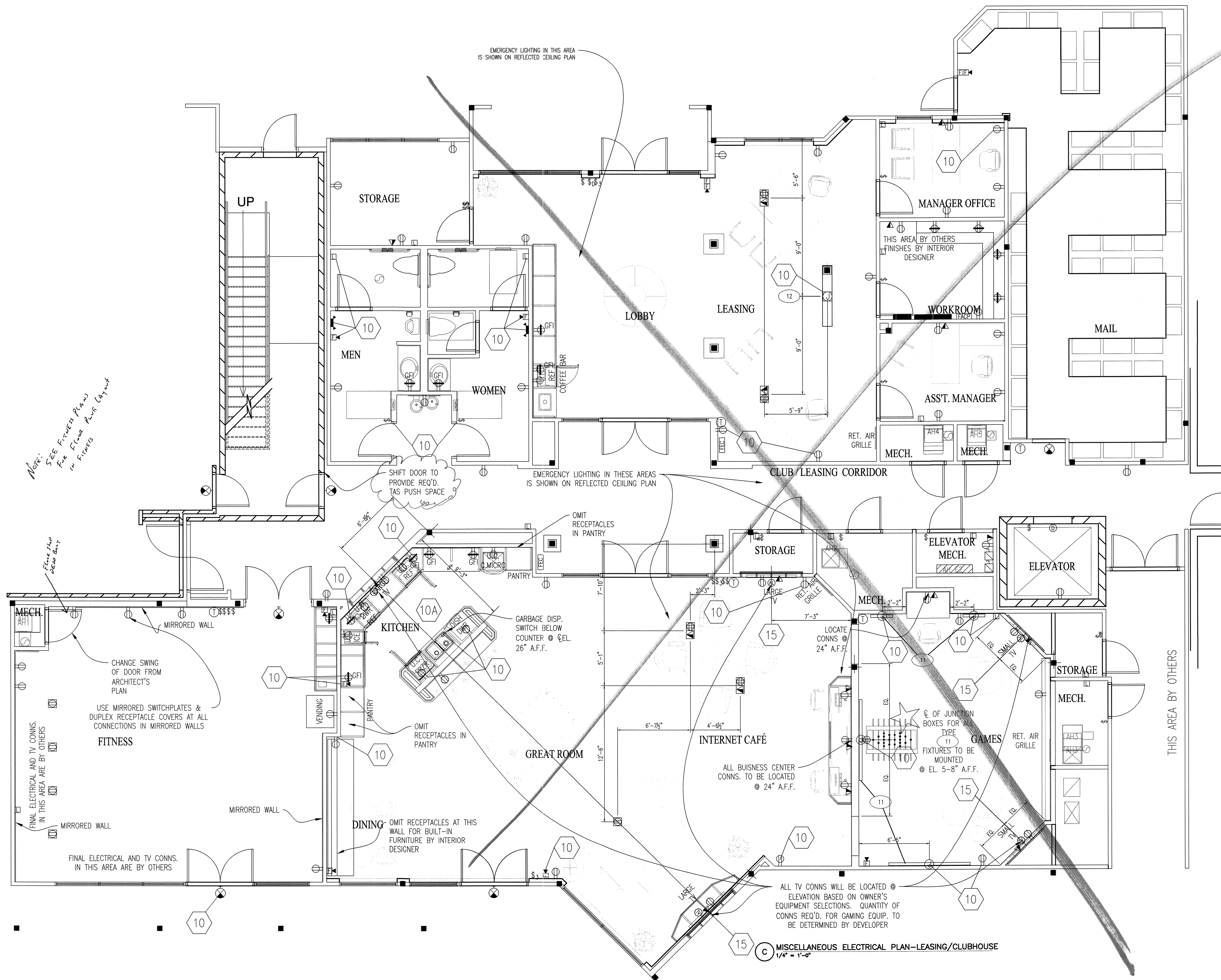


m. ford & associates
interior design
99 detersing street
suite 165
houston, tx 77007
phone 713-630-0800
fax 713-630-0814
mford@mfordassociates.com
www.mfordassociates.com

drawn by
Queen of the World

SHEET NO.

ID.3



C MISCELLANEOUS ELECTRICAL PLAN-LEASING/CLUBHOUSE
1/4" = 1'-0"

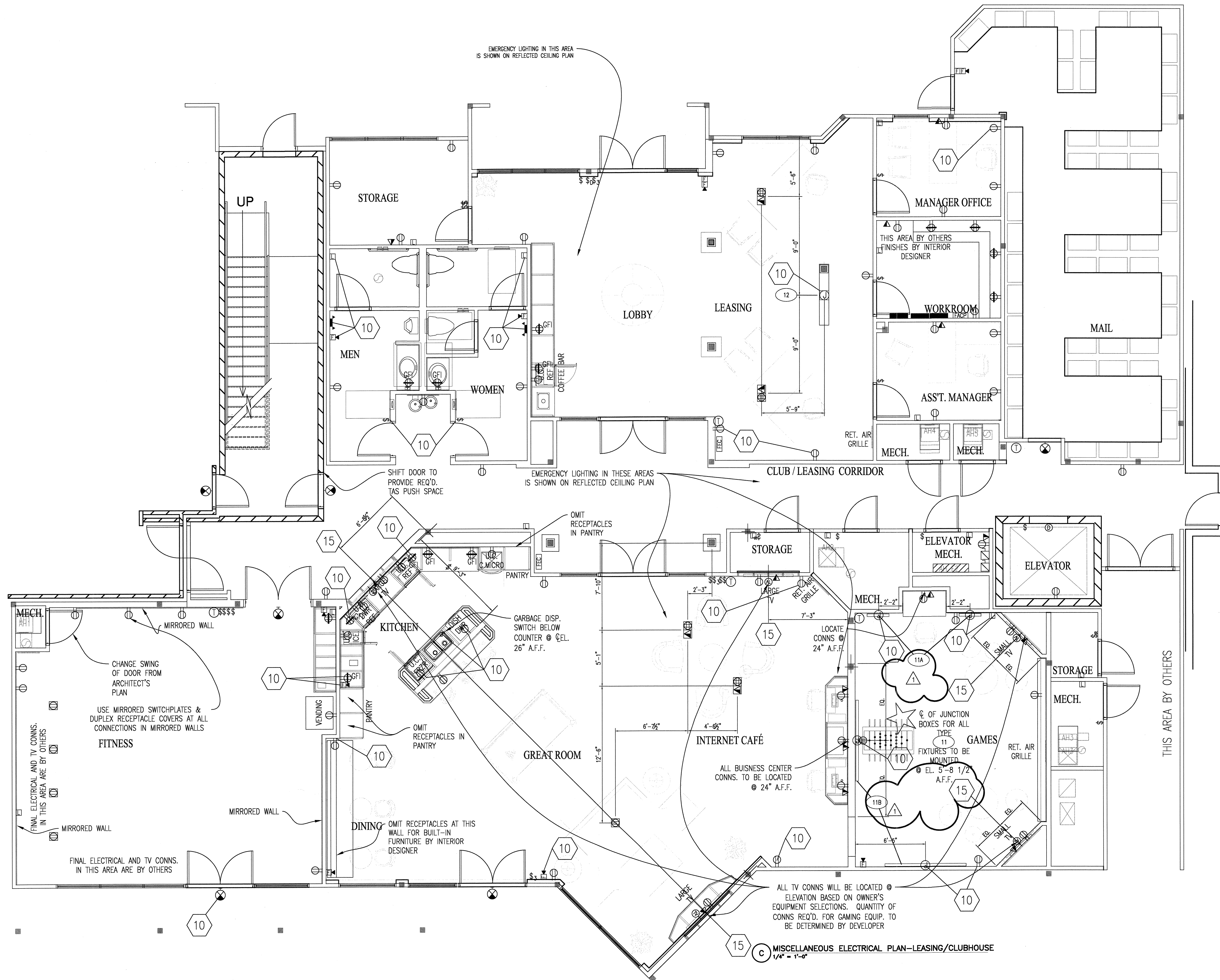
Note: SEE Fitness Plans for Floor Plan Layout

Please Shop for this item

THIS AREA BY OTHERS

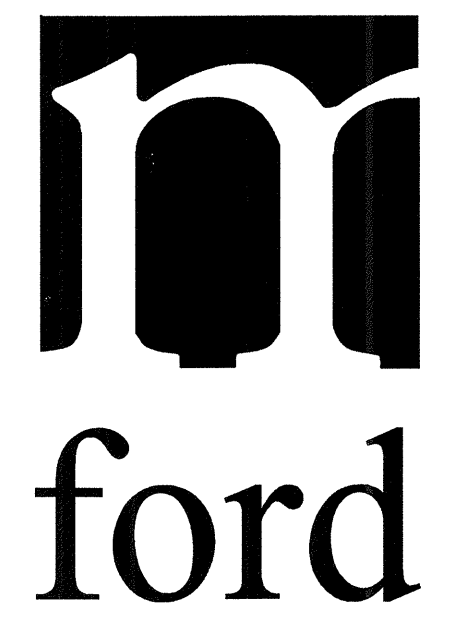
REVISED FOR CONSTRUCTION
MAY 16, 2012

KELLER SPRINGS CLUBHOUSE
ADDISON, TX



MISCELLANEOUS ELECTRICAL PLAN

ADDED FABRICATION DETAILS 5-16-12
© 2012 M. FORD & ASSOCIATES, INC.
THIS DOCUMENT IS PUBLISHED AS AN INSTRUMENT OF SERVICE AND IS GIVEN IN CONFIDENCE. IT REMAINS THE PROPERTY OF M. FORD & ASSOCIATES, INC. THIS DOCUMENT, AND THE INFORMATION CONTAINED WITHIN, MAY NOT BE REPRODUCED OR DISCLOSED WITHOUT THE WRITTEN CONSENT OF M. FORD & ASSOCIATES, INC. HOUSTON, TEXAS



m. ford & associates
interior design
99 detersing street
suite 165
houston, tx 77007
phone 713-630-0800
fax 713-630-0814
mford@mfordassociates.com
www.mfordassociates.com

drawn by: Queen of the World

SHEET NO.

ID.3

MISCELLANEOUS ELECTRICAL PLAN—LEASING/CLUBHOUSE
1/4" = 1'-0"

KELLER SPRINGS
CLUBHOUSE
ADDISON, TX

ISSUED FOR CONSTRUCTION
APRIL 23, 2012

TRIMS, MISC. DETAILS, & LOBBY LIGHT PANEL

© 2012 M. FORD & ASSOCIATES INC.
THIS DOCUMENT IS PUBLISHED AS AN INSTRUMENT OF SERVICE AND IS GIVEN IN CONFIDENCE. IT REMAINS THE PROPERTY OF M. FORD & ASSOCIATES, INC. THIS DOCUMENT, AND THE INFORMATION CONTAINED WITHIN MAY NOT BE REPRODUCED OR DISCLOSED WITHOUT WRITTEN CONSENT OF M. FORD & ASSOCIATES, INC. HOUSTON, TEXAS

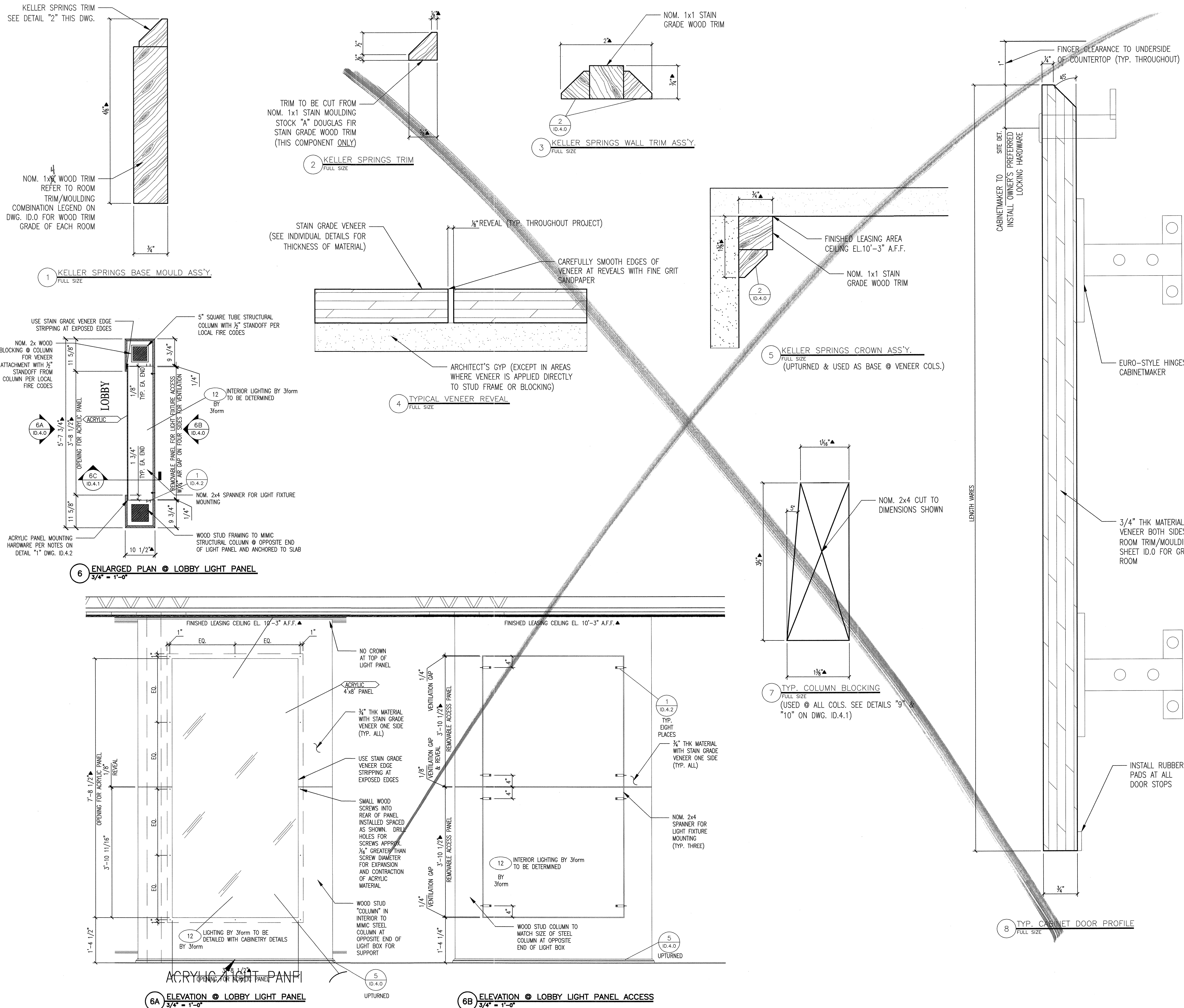


m. ford & associates
interior design
99 detersing street
suite 165
houston, tx 77007
phone 713-630-0800
fax 713-630-0814
mford@mfordassociates.com
www.mfordassociates.com



SHEET NO.

ID.4.0



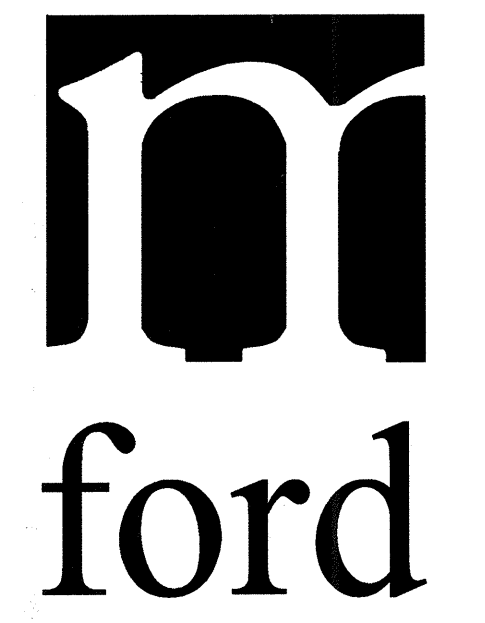
6A ELEVATION @ LOBBY LIGHT PANEL
3/4" = 1'-0"

6B ELEVATION @ LOBBY LIGHT PANEL ACCESS
3/4" = 1'-0"

KELLER SPRINGS CLUBHOUSE
ADDISON, TX

ISSUED FOR PRESENTATION
NOVEMBER 9, 2011

© 2011 M. FORD & ASSOCIATES INC.
THIS DOCUMENT IS PUBLISHED AS AN INSTRUMENT OF SERVICE AND IS GIVEN IN CONFIDENCE. IT REMAINS THE PROPERTY OF M. FORD & ASSOCIATES, INC. AND THE INFORMATION CONTAINED HEREIN MAY NOT BE DUPLICATED, USED, OR DISCLOSED WITHOUT WRITTEN CONSENT OF M. FORD & ASSOCIATES, INC. HOUSTON, TEXAS



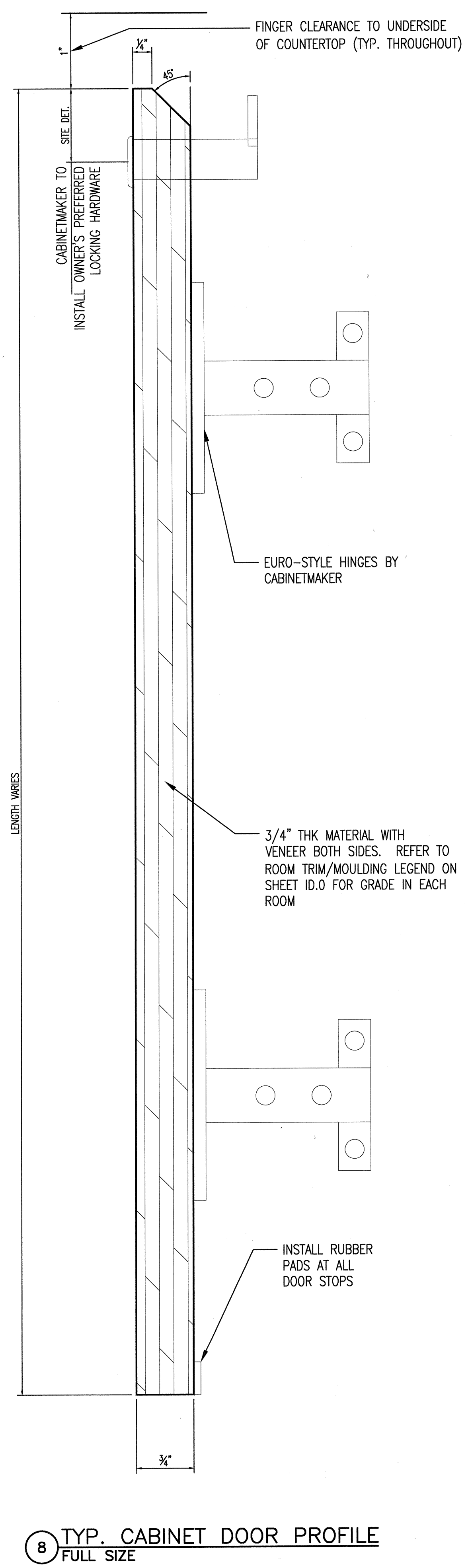
m. ford & associates
interior design
99 detersing street
suite 165
houston, tx 77007
phone 713-630-0800
fax 713-630-0814
mford@mfordassociates.com
www.mfordassociates.com

drawn by: Queen of the World

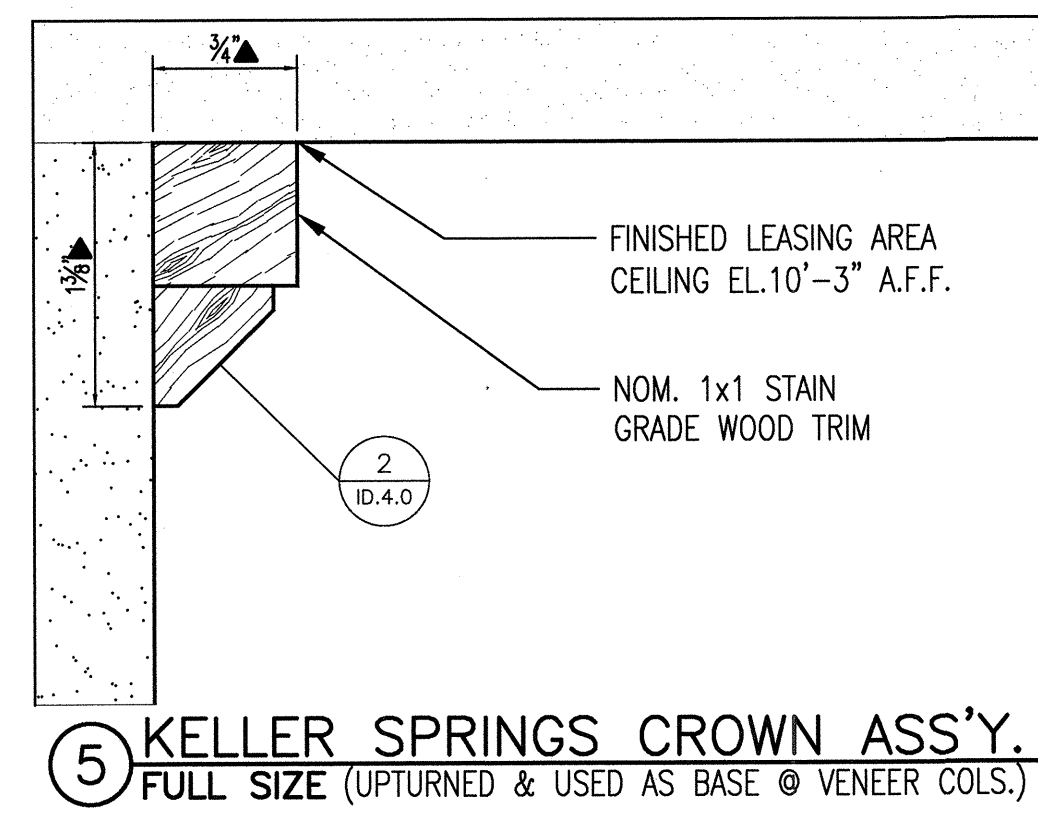
SHEET NO.

ID.4.0

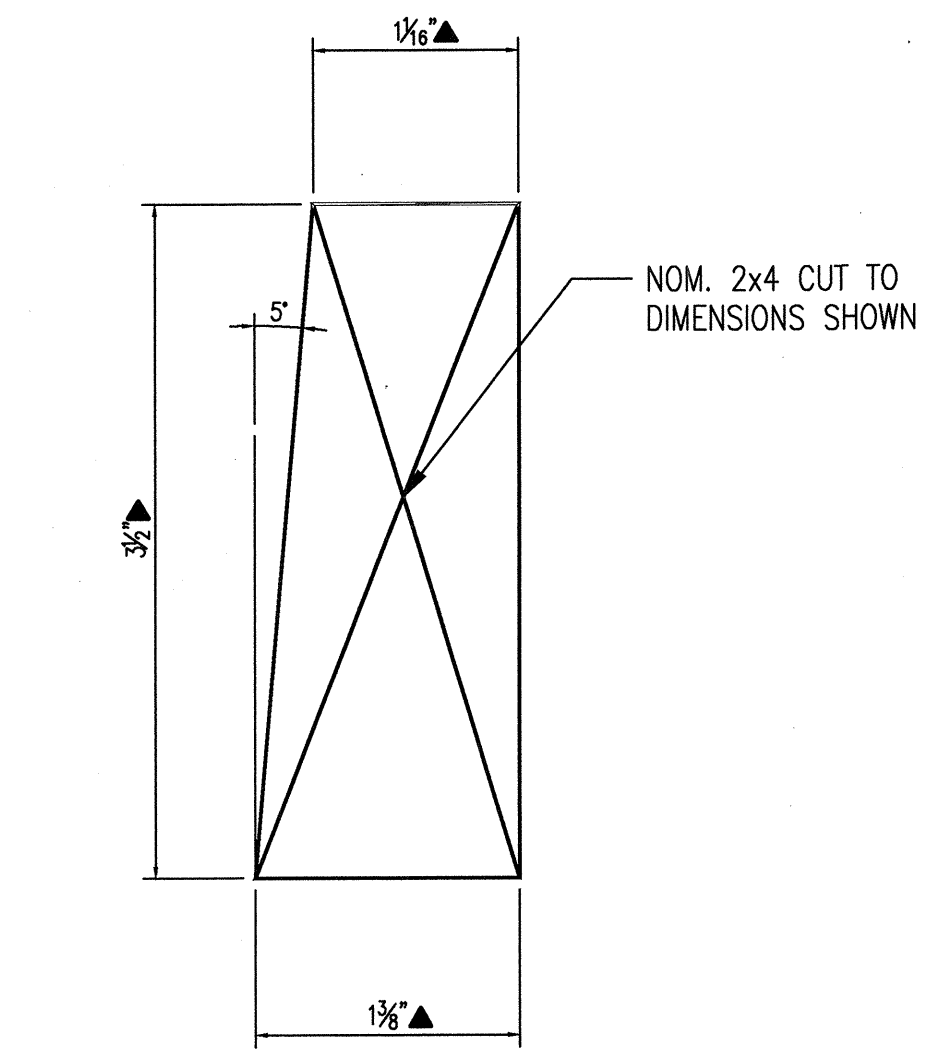
TRIMS & MISC. DETAILS



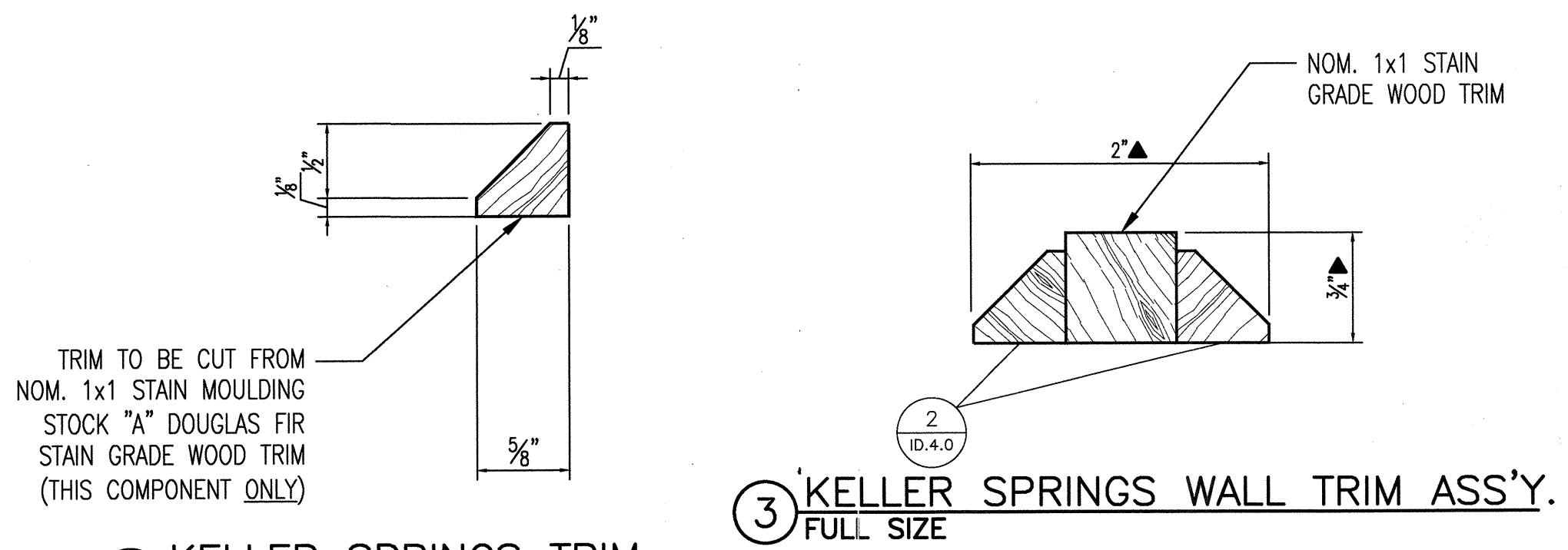
8 TYP. CABINET DOOR PROFILE FULL SIZE



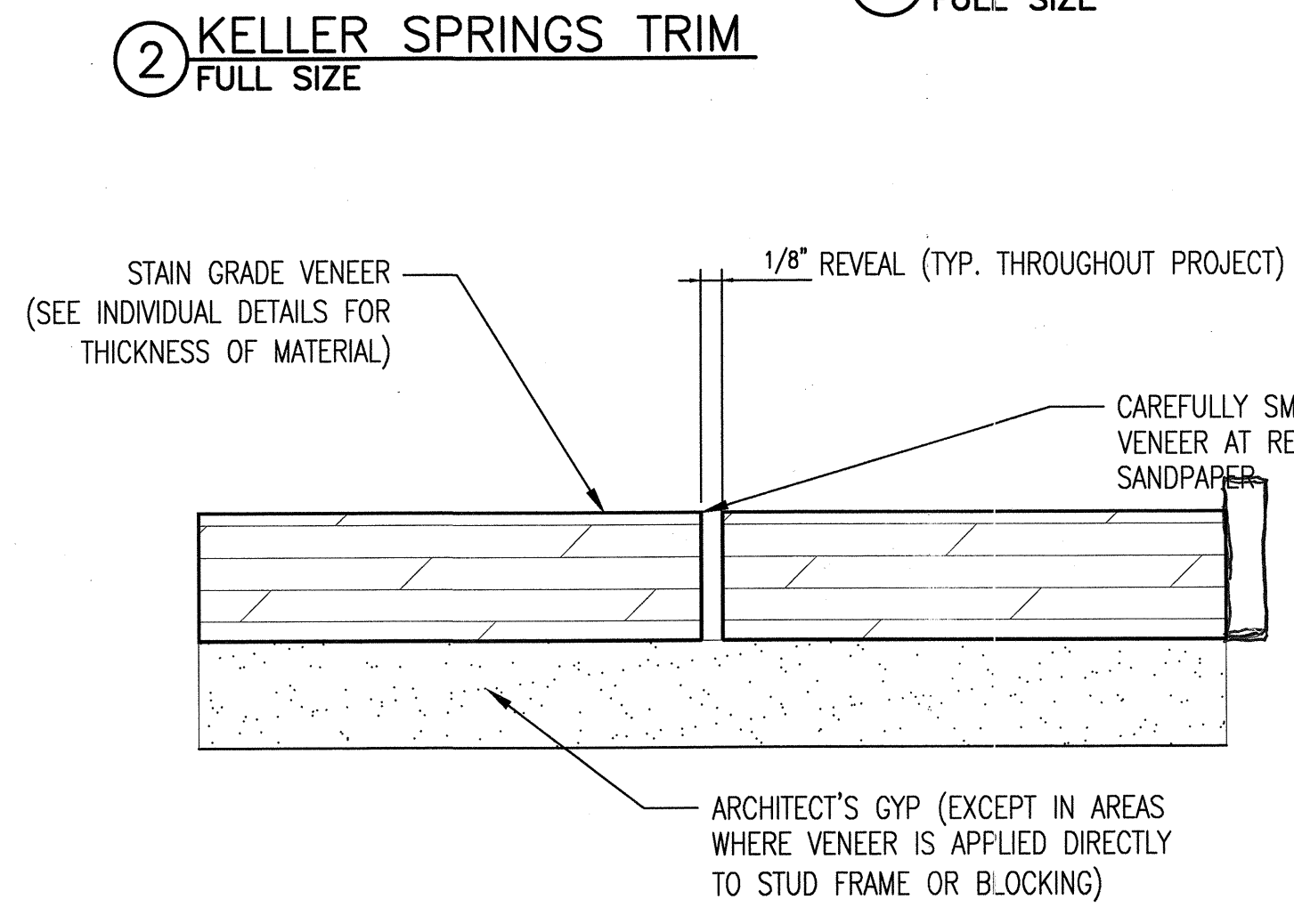
5 KELLER SPRINGS CROWN ASS'Y. FULL SIZE (UPTURNED & USED AS BASE @ VENEER COLS.)



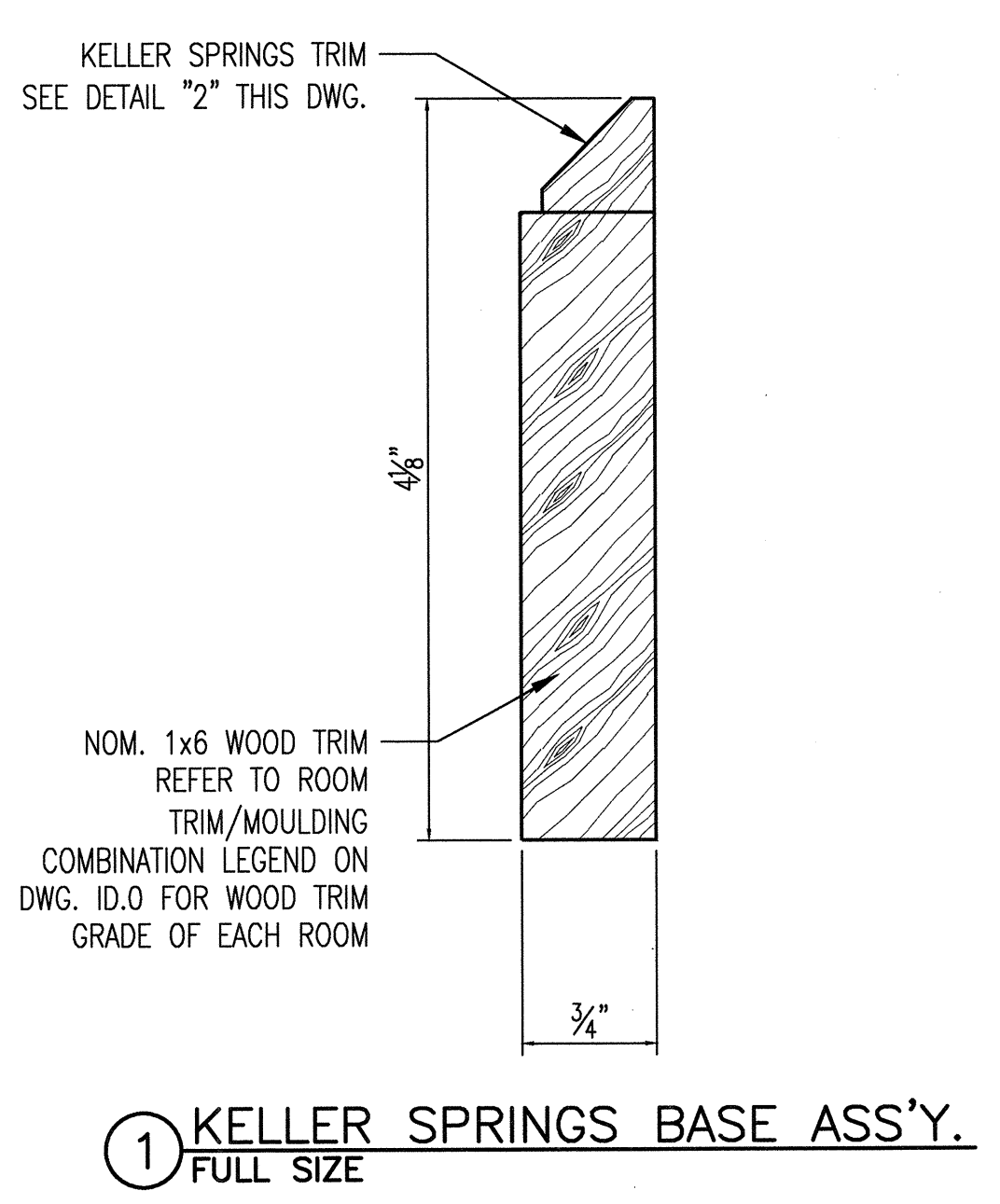
7 TYPICAL COLUMN BLOCKING FULL SIZE (USED @ ALL COLS. SEE DETAILS '9\"/>



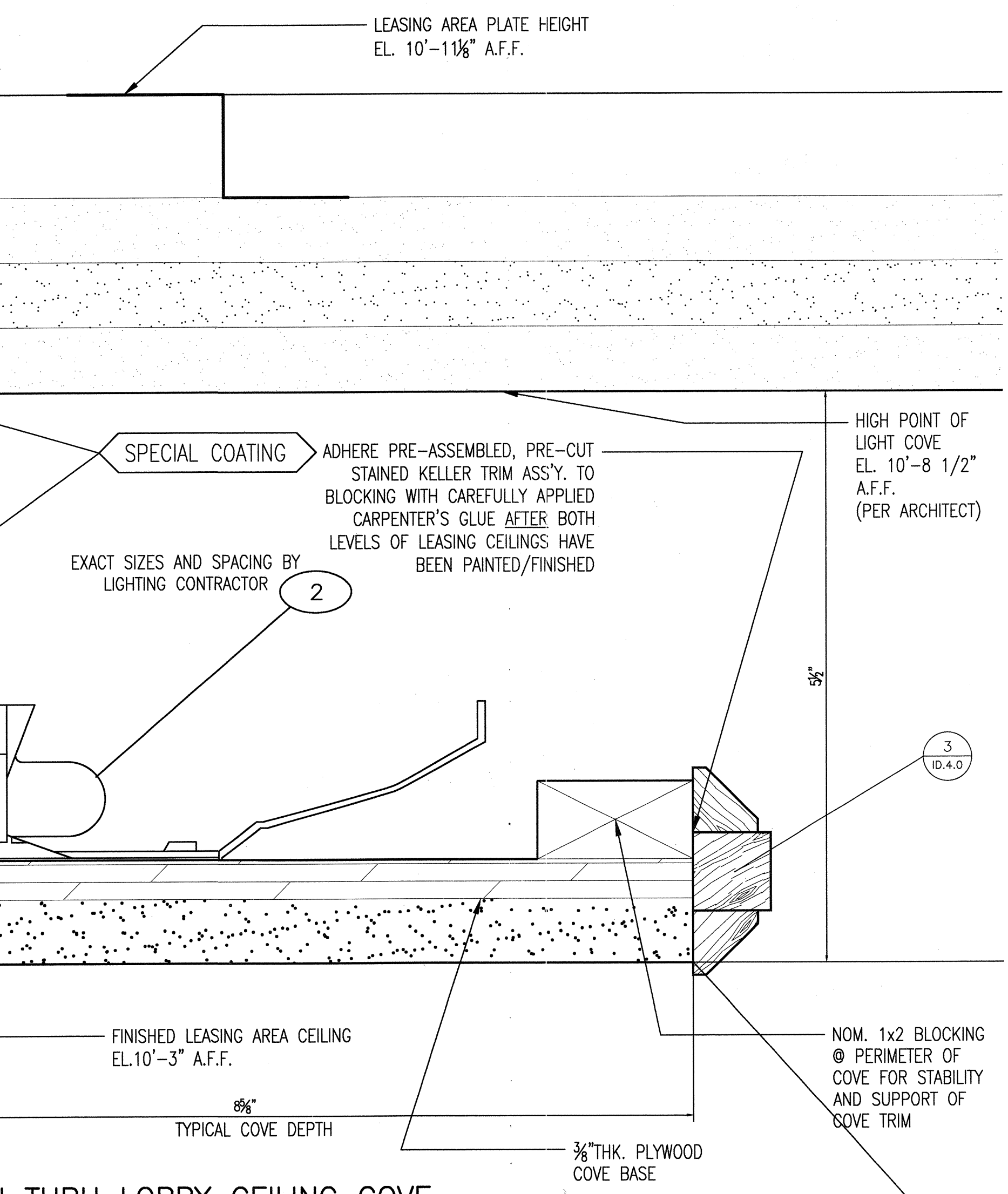
3 KELLER SPRINGS WALL TRIM ASS'Y. FULL SIZE



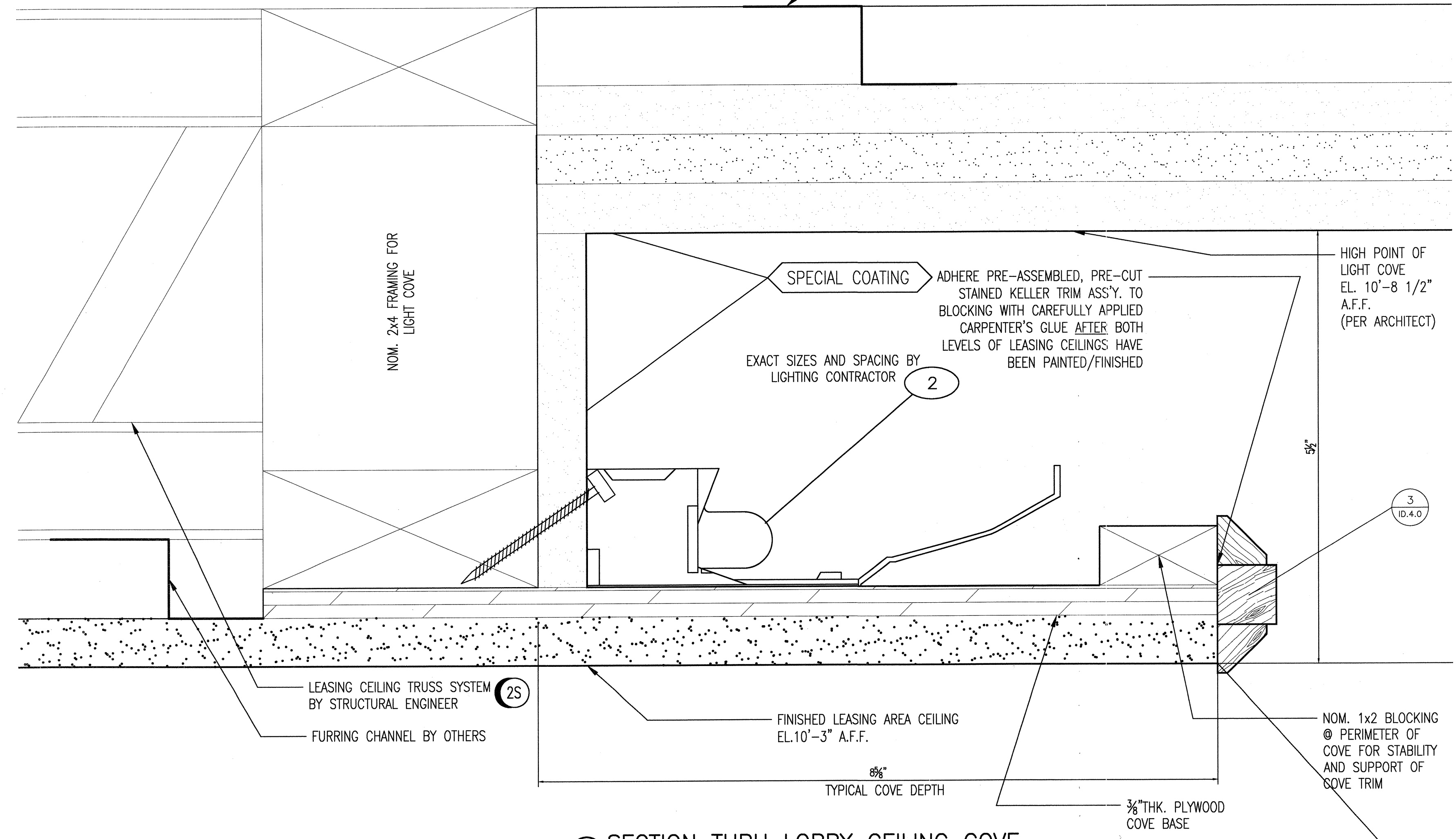
4 TYP. VENEER REVEAL FULL SIZE



1 KELLER SPRINGS BASE ASS'Y. FULL SIZE



6 SECTION THRU LOBBY CEILING COVE FULL SIZE



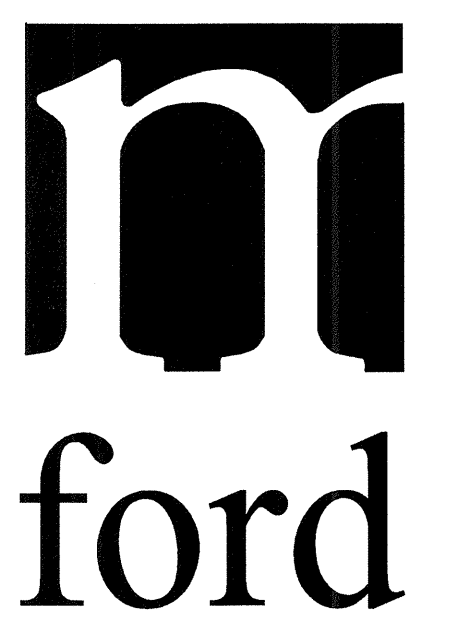
25

KELLER SPRINGS CLUBHOUSE
ADDISON, TX

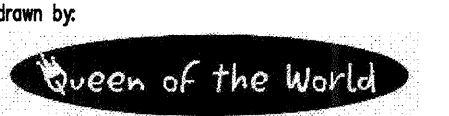
TRIMS, MISC. DETAILS, & LOBBY LIGHT PANEL

REVISED FOR CONSTRUCTION
MAY 16, 2012

△ ADDED FABRICATION DETAILS 5-16-12
© 2012 M. FORD & ASSOCIATES, INC.
THIS DOCUMENT IS PUBLISHED AS AN INSTRUMENT OF SERVICE AND IS GIVEN IN CONFIDENCE. IT REMAINS THE PROPERTY OF M. FORD & ASSOCIATES, INC. THIS DOCUMENT AND THE INFORMATION CONTAINED WITHIN MAY NOT BE DUPLICATED OR DISCLOSED WITHOUT WRITTEN CONSENT OF M. FORD & ASSOCIATES, INC. HOUSTON, TEXAS

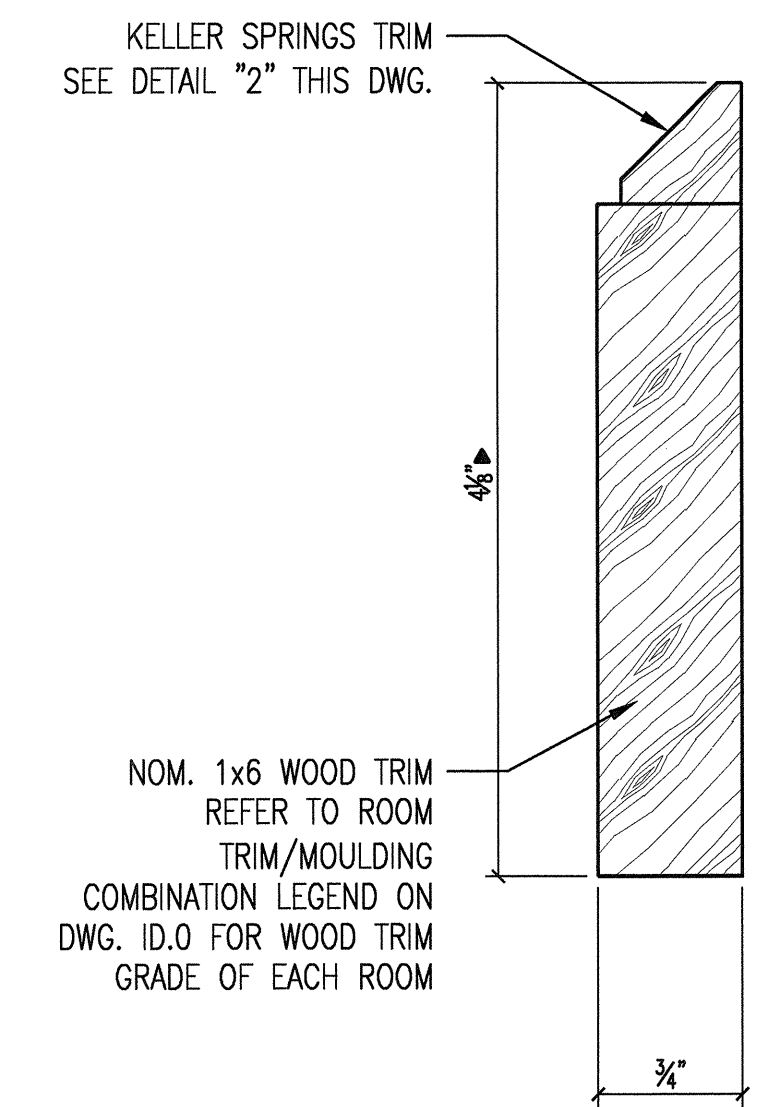


m. ford & associates
interior design
99 deterring street
suite 165
houston, tx 77007
phone 713-630-0800
fax 713-630-0814
mford@mfordassociates.com
www.mfordassociates.com

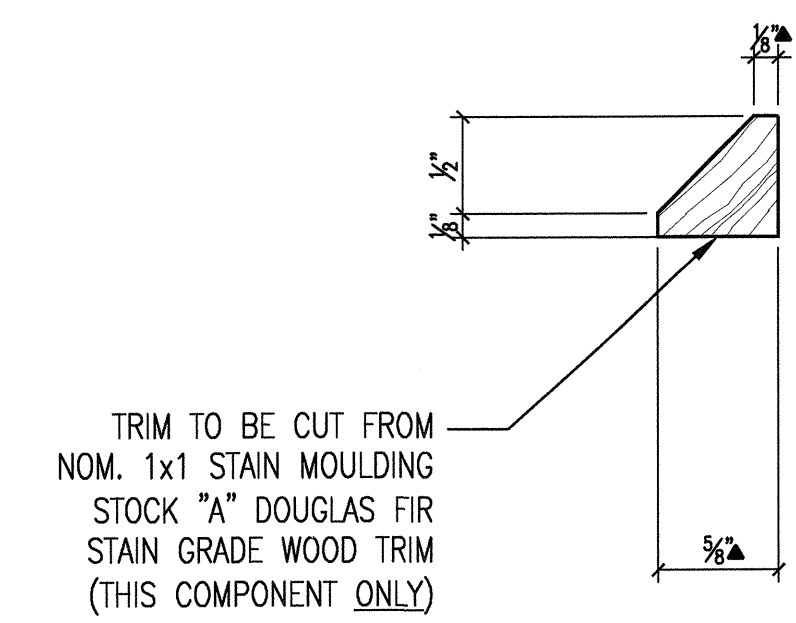


SHEET NO.

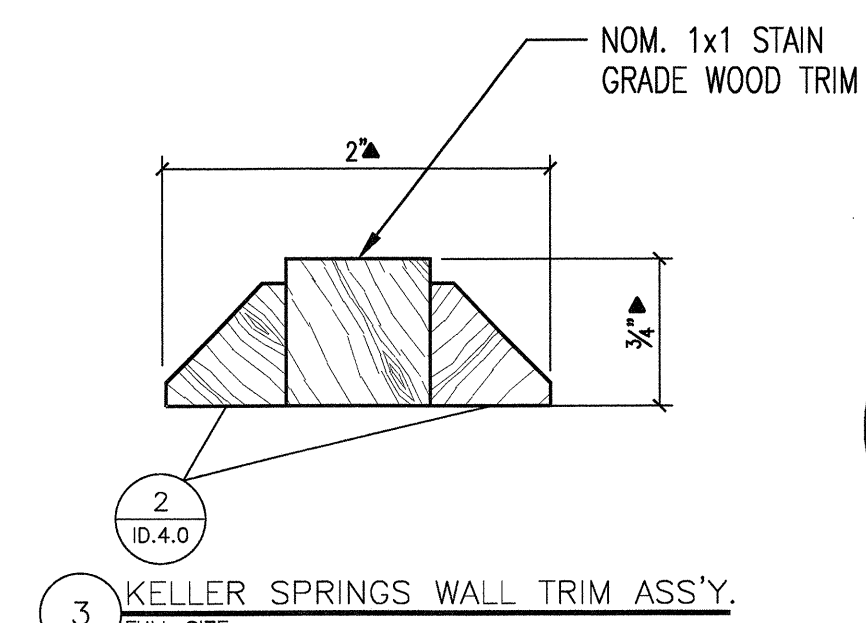
ID.4.0



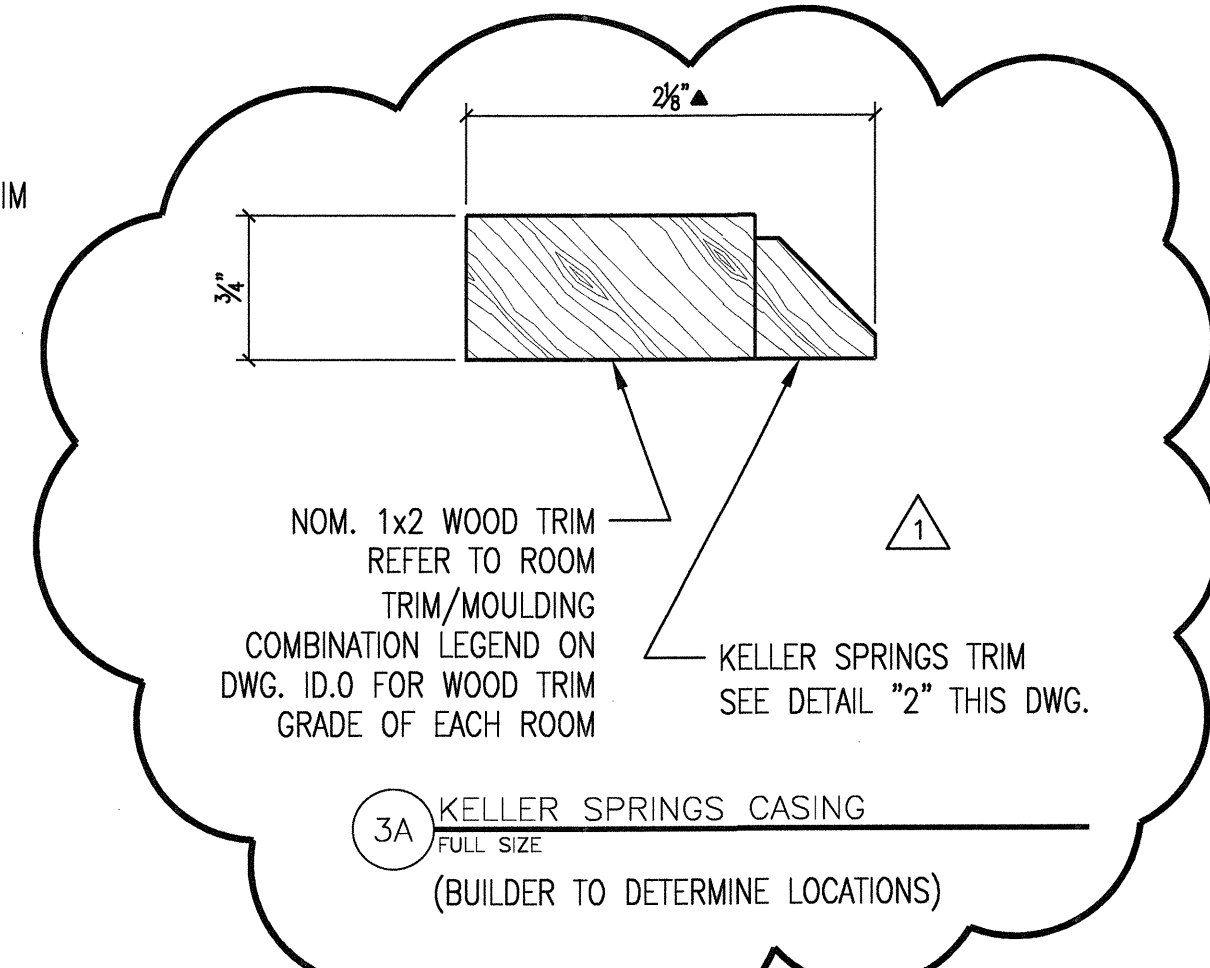
1 KELLER SPRINGS BASE MOULD ASS'Y.
FULL SIZE



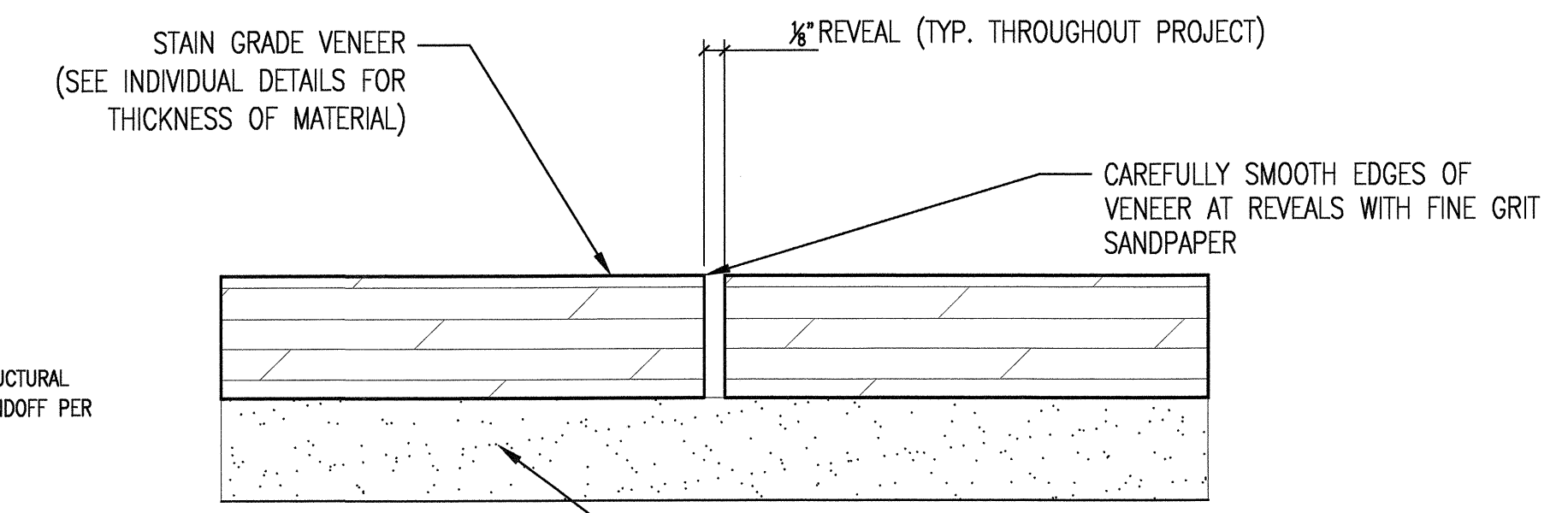
2 KELLER SPRINGS TRIM
FULL SIZE



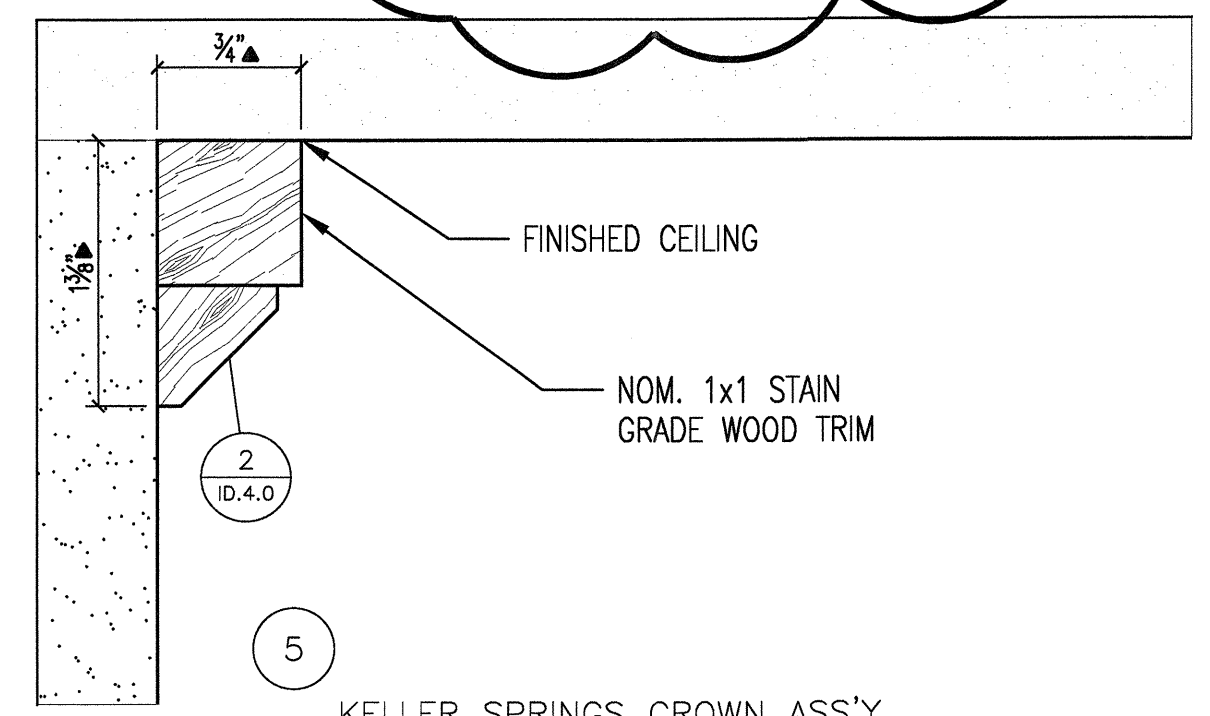
3 KELLER SPRINGS WALL TRIM ASS'Y.
FULL SIZE



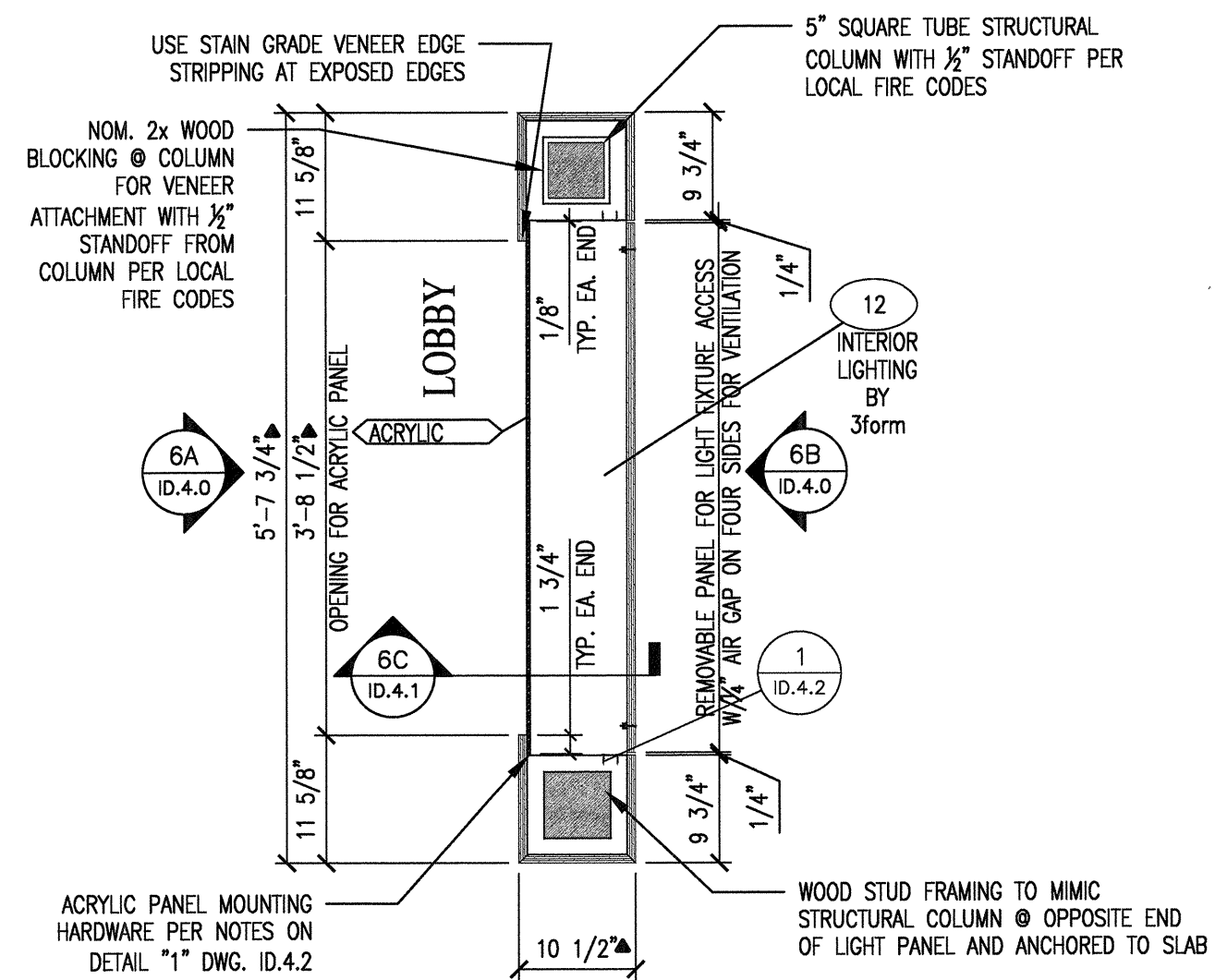
3A KELLER SPRINGS CASING
FULL SIZE
(BUILDER TO DETERMINE LOCATIONS)



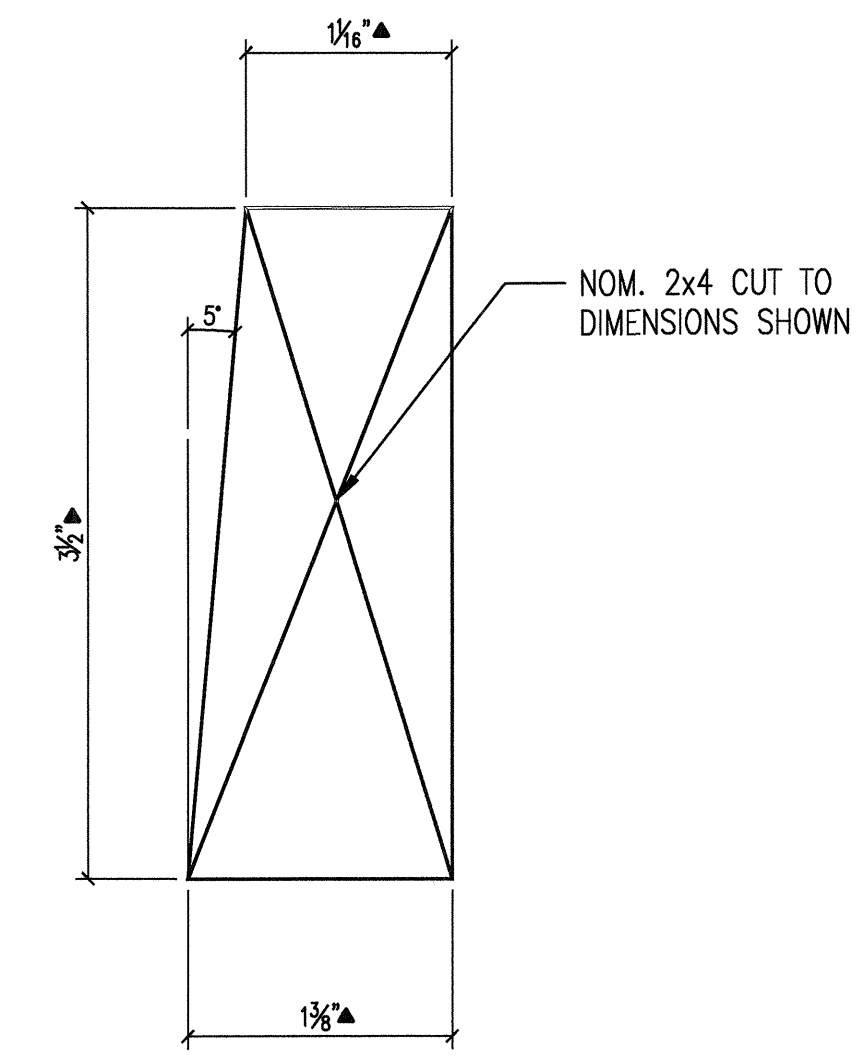
4 TYPICAL VENEER REVEAL
FULL SIZE



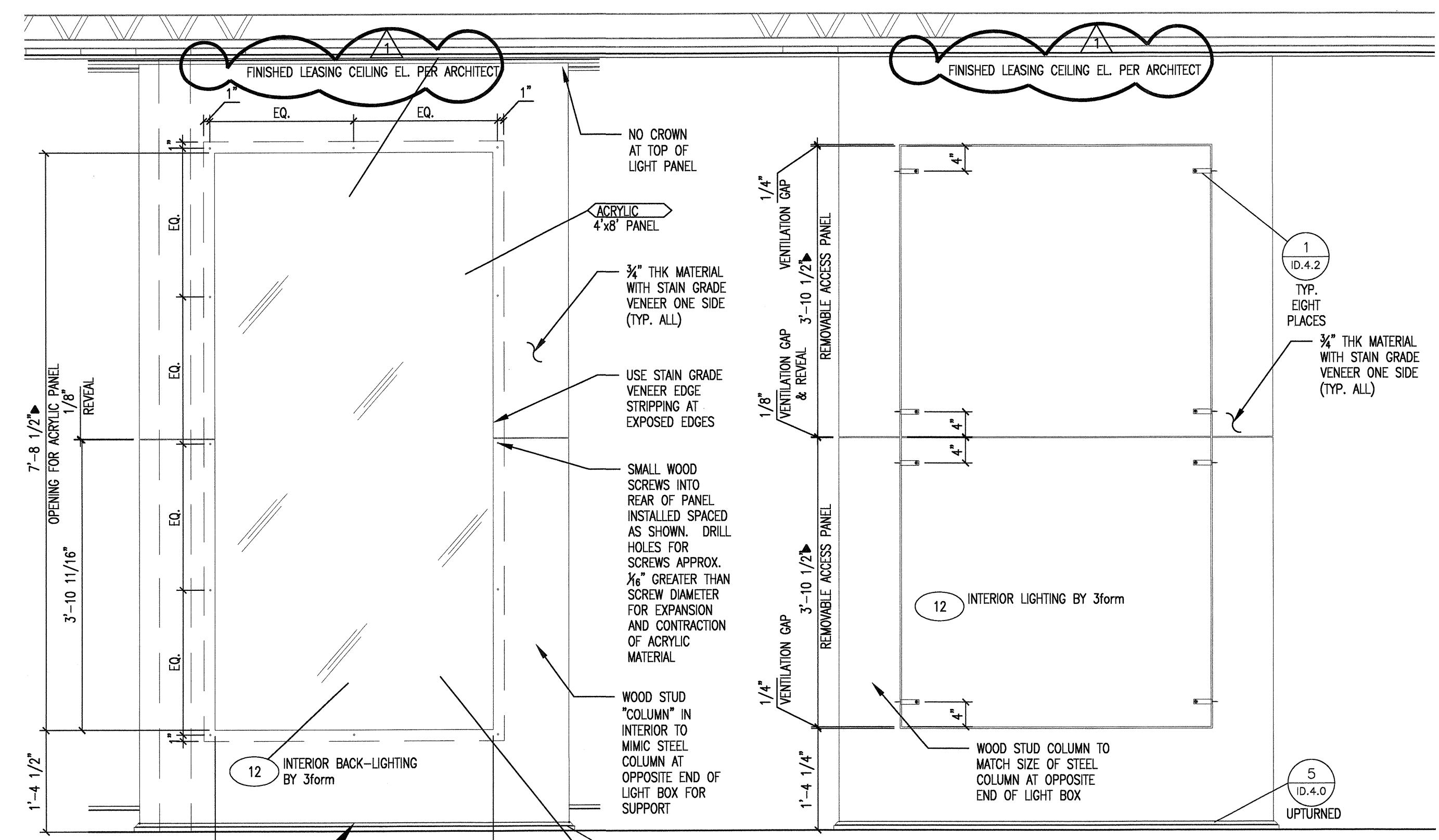
5 KELLER SPRINGS CROWN ASS'Y.
FULL SIZE
(UPTURNED & USED AS BASE @ VENEER COLS.)



6 ENLARGED PLAN @ LOBBY LIGHT PANEL
3/4" = 1'-0"

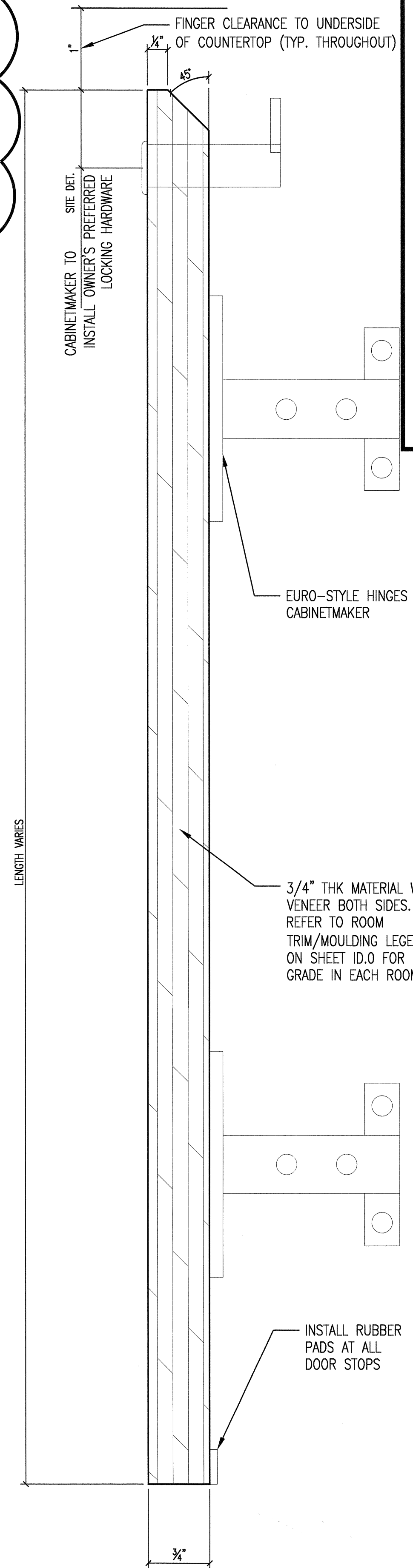


7 TYP. COLUMN BLOCKING
FULL SIZE
(USED @ ALL COLS. SEE DETAILS "9" & "10" ON DWG. ID.4.1)



6A ELEVATION @ LOBBY LIGHT PANEL
3/4" = 1'-0"

6B ELEVATION @ LOBBY LIGHT PANEL ACCESS
3/4" = 1'-0"



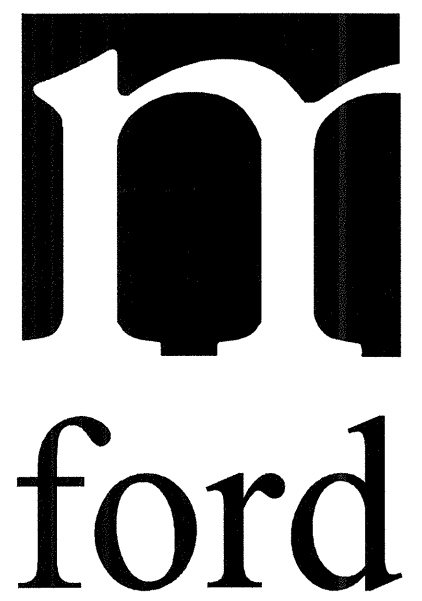
8 TYP. CABINET DOOR PROFILE
FULL SIZE

LENGTH VARIES

ISSUED FOR CONSTRUCTION
APRIL 23, 2012

KELLER SPRINGS CLUBHOUSE
ADDISON, TX

© 2012 M. FORD & ASSOCIATES, INC.
THIS DOCUMENT IS PUBLISHED AS AN INSTRUMENT OF SERVICE AND IS GIVEN IN CONFIDENCE. IT REMAINS THE PROPERTY OF M. FORD & ASSOCIATES, INC. THIS DOCUMENT, AND THE INFORMATION CONTAINED WITHIN, MAY NOT BE DUPLICATED OR DISCLOSED WITHOUT WRITTEN CONSENT OF M. FORD & ASSOCIATES, INC. HOUSTON, TEXAS.



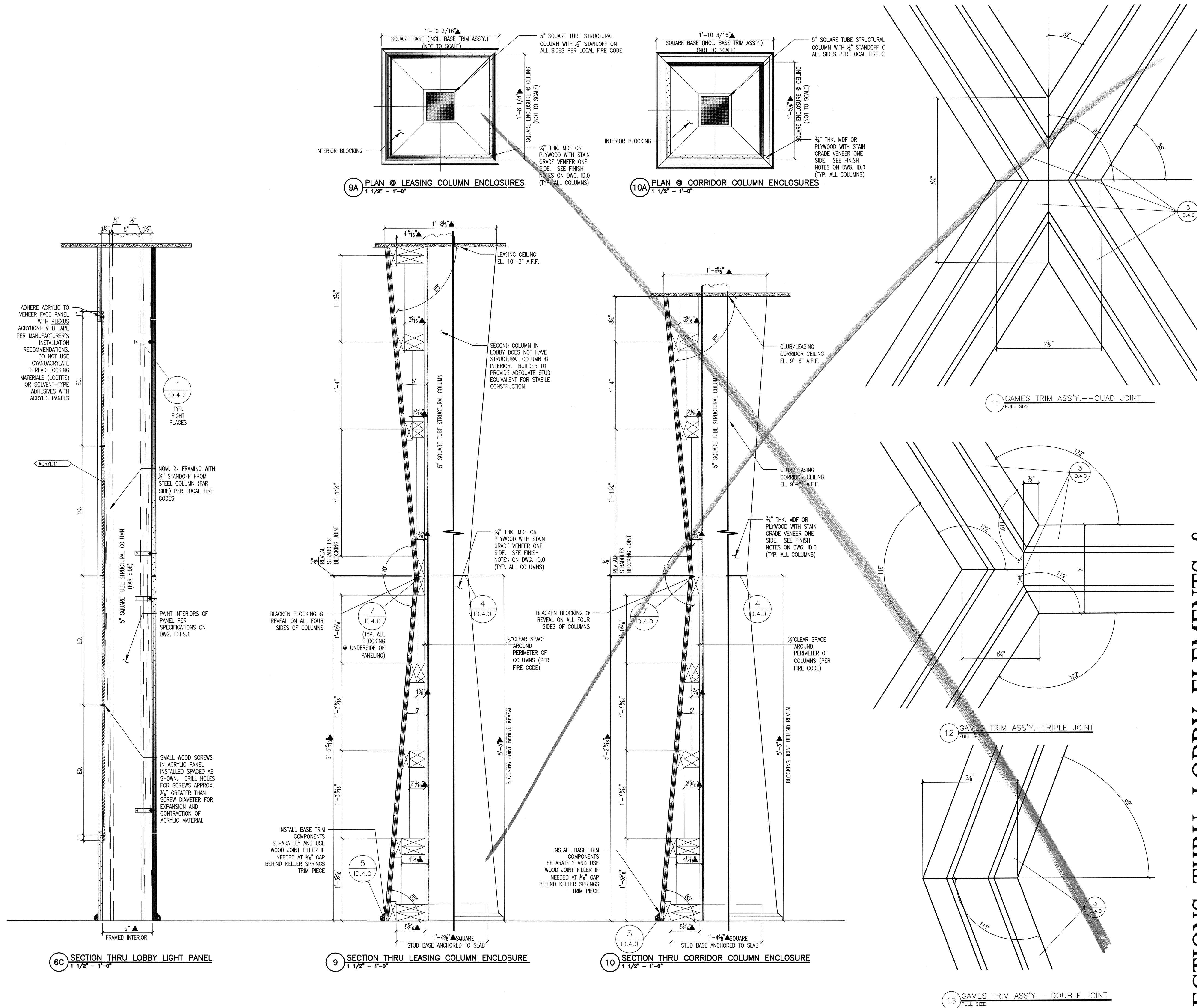
m. ford & associates
interior design
99 detersing street
suite 165
houston, tx 77007
phone 713-630-0800
fax 713-630-0814
mford@mfordassociates.com
www.mfordassociates.com

drawn by:
Queen of the World

SHEET NO.

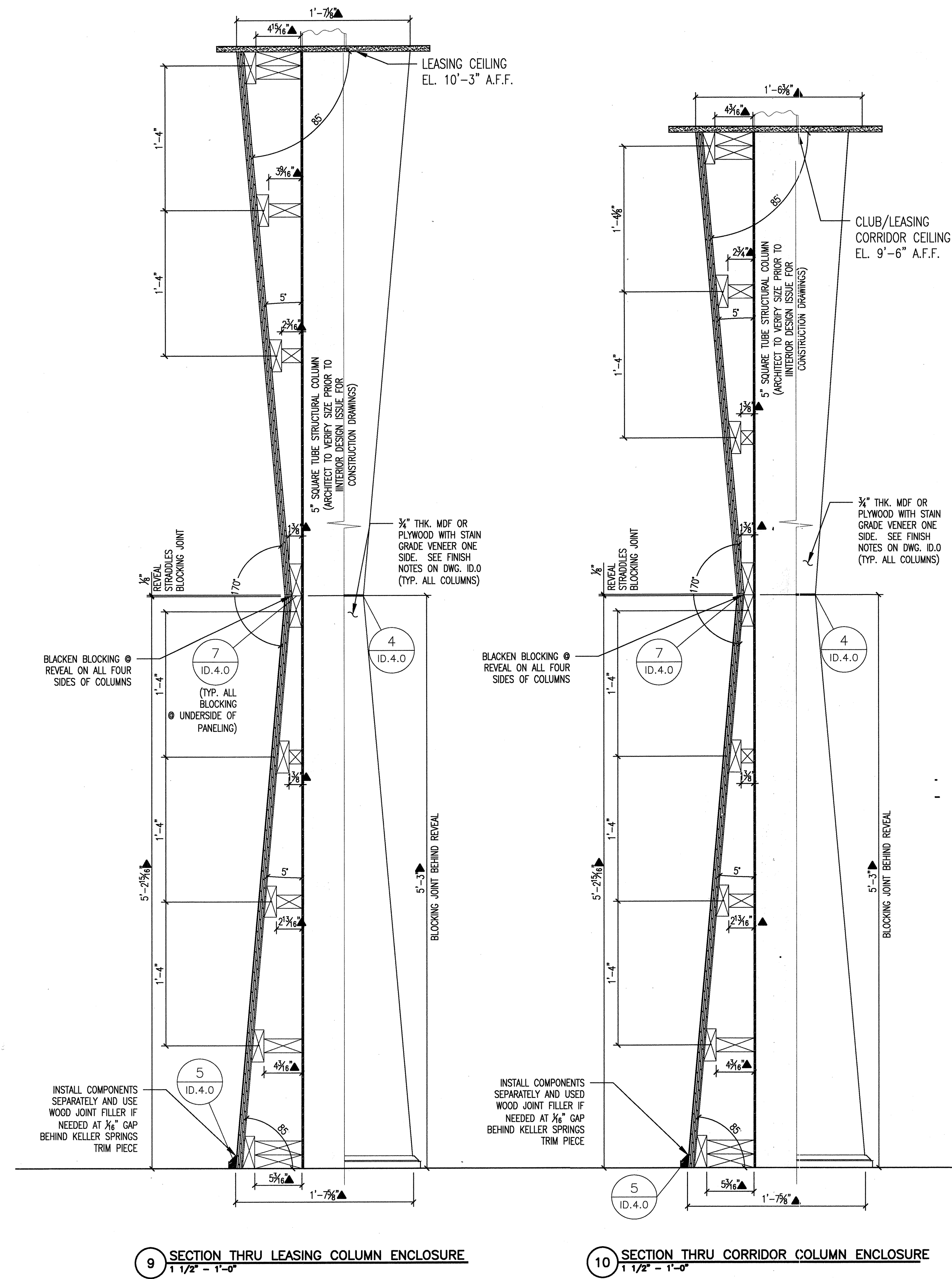
ID.4.1

SECTIONS THRU LOBBY ELEMENTS & GAMES ROOM TRIM ASS'YS.



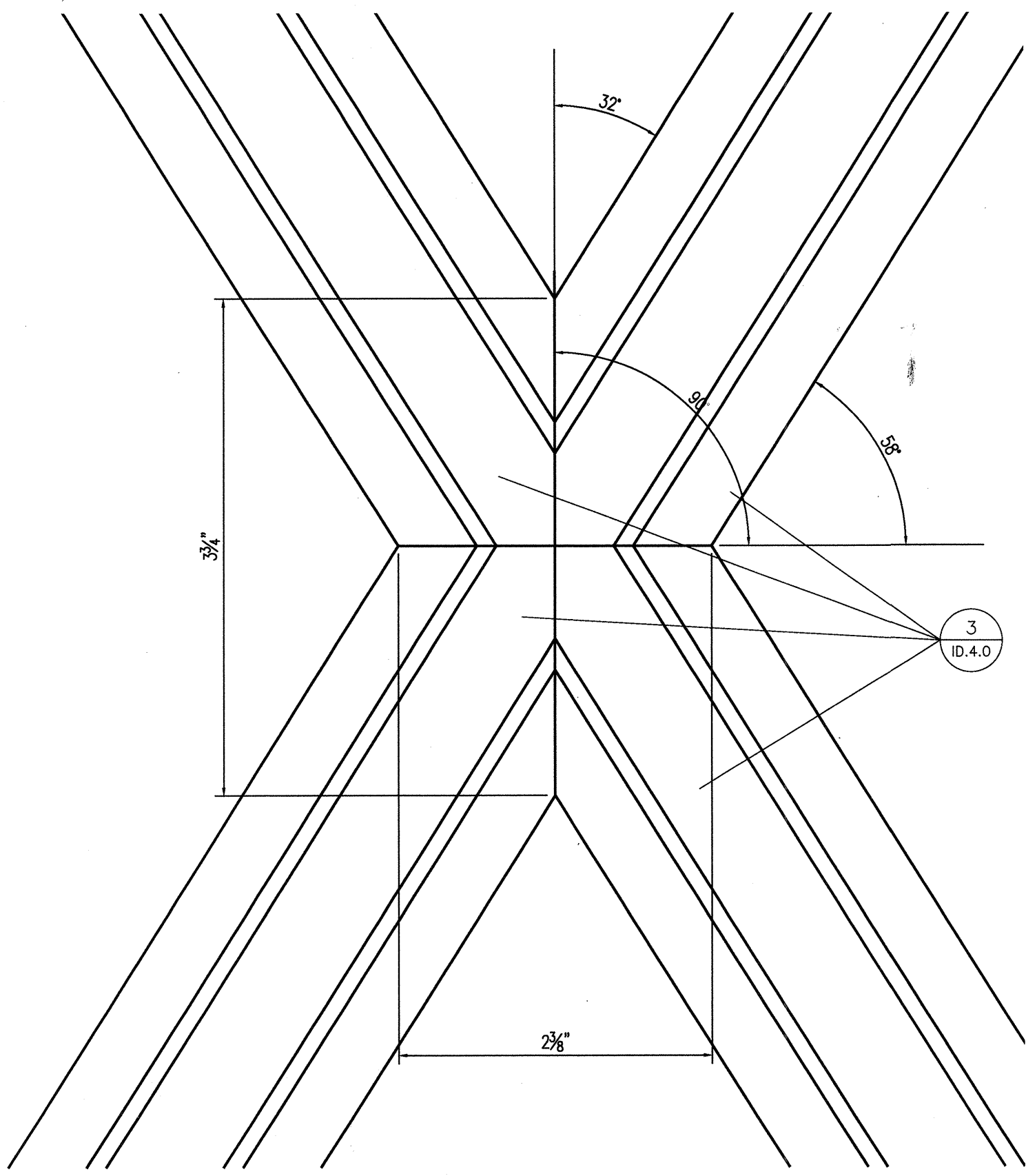
ISSUED FOR PRESENTATION
NOVEMBER 9, 2011

KELLER SPRINGS
CLUBHOUSE
ADDISON, TX

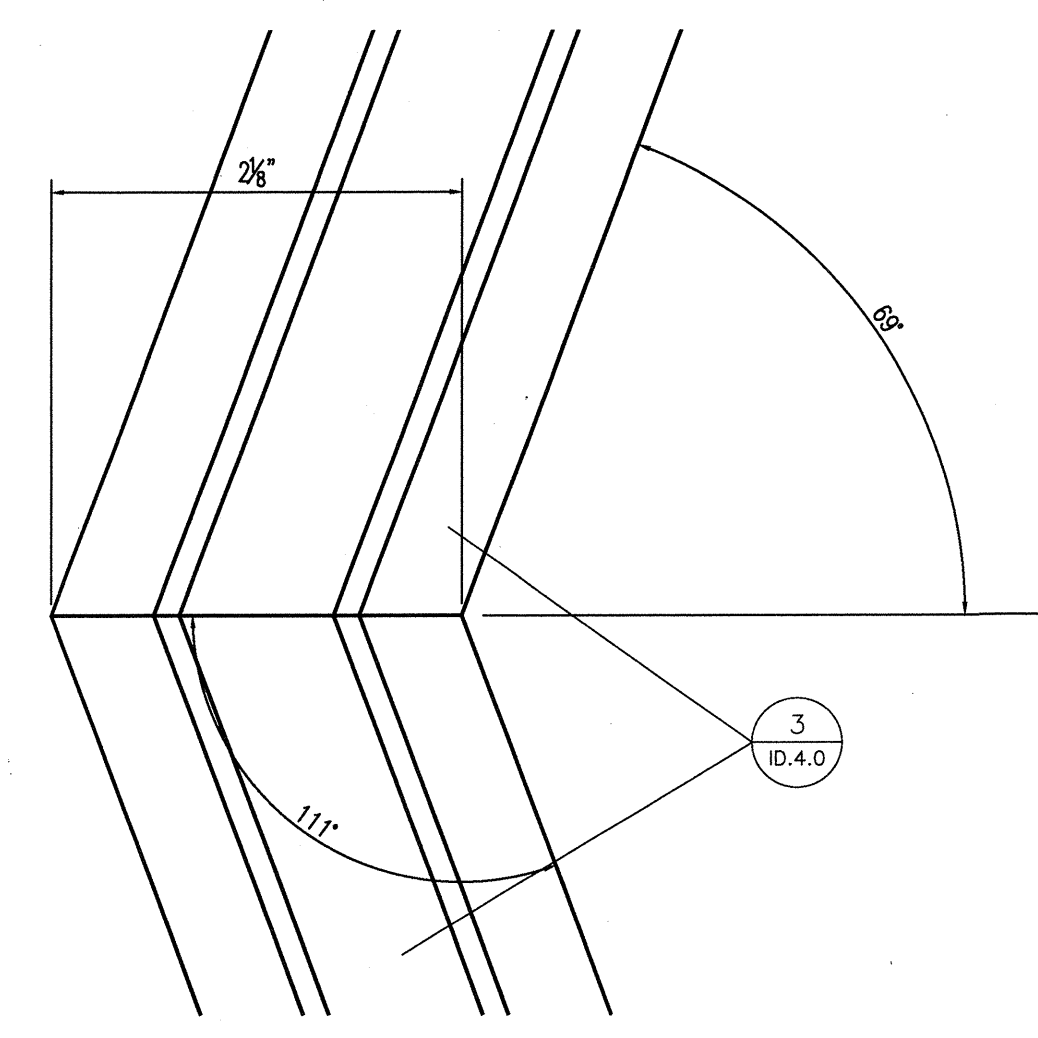


9 SECTION THRU LEASING COLUMN ENCLOSURE
1 1/2" - 1'-0"

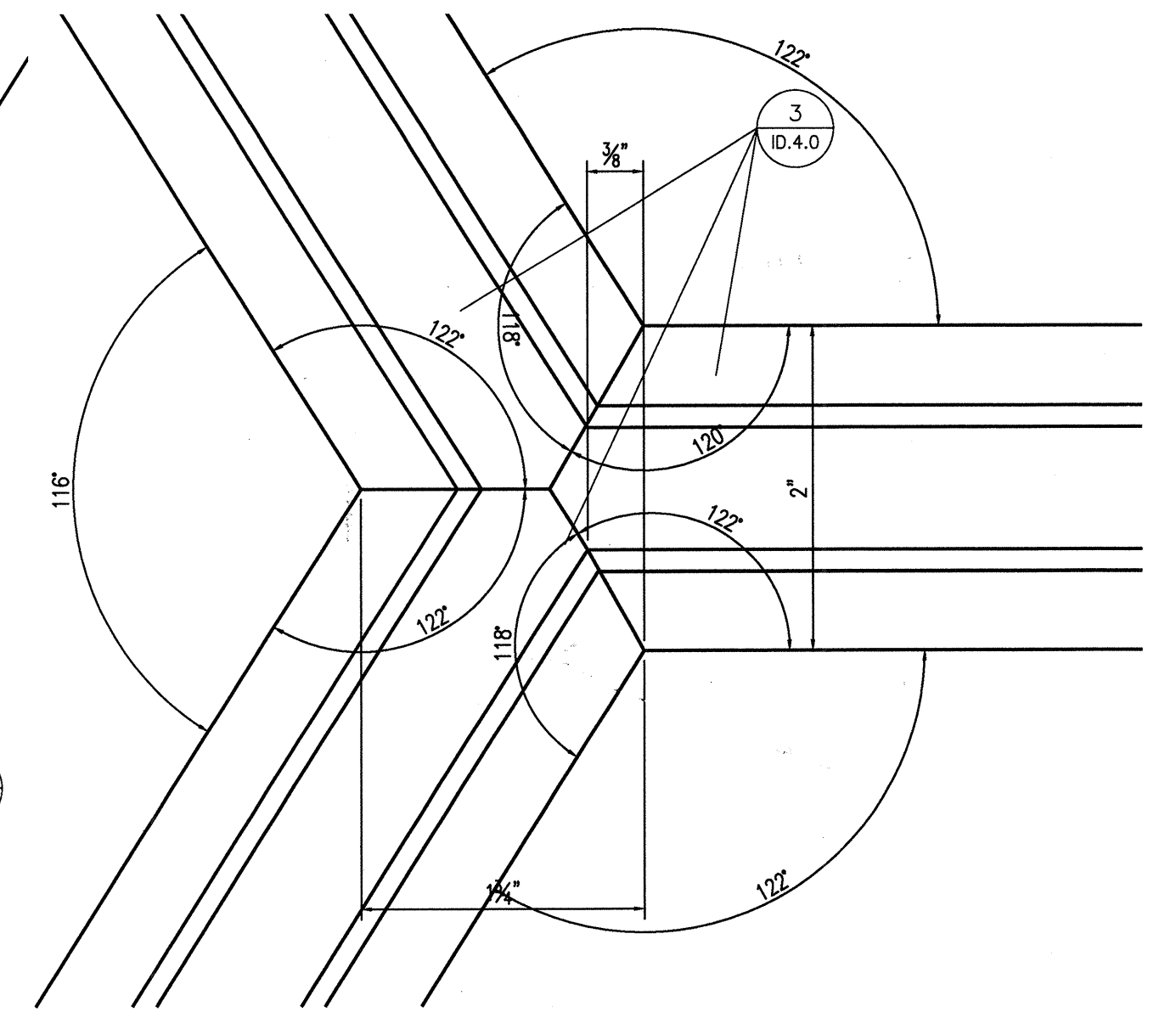
10 SECTION THRU CORRIDOR COLUMN ENCLOSURE
1 1/2" - 1'-0"



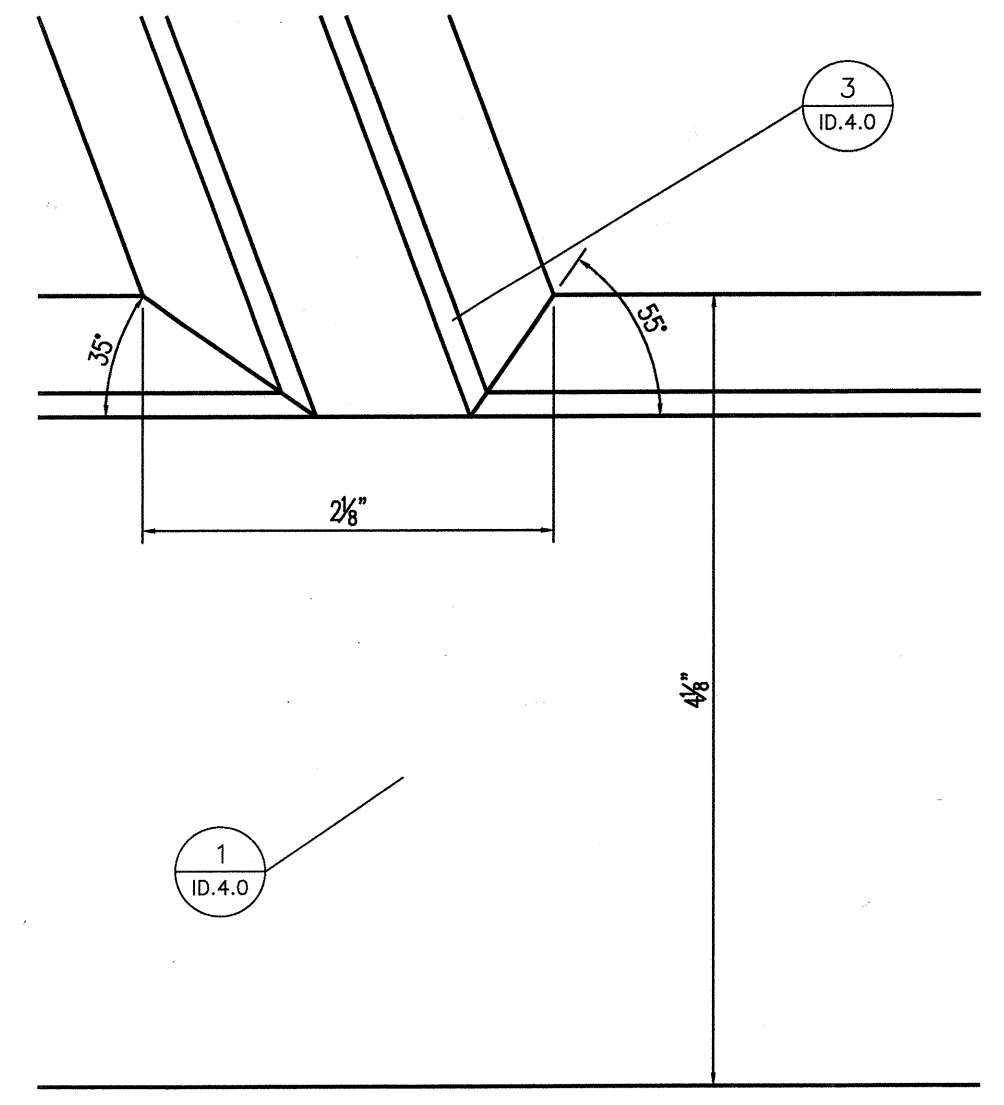
11 GAMES TRIM ASS'Y. QUAD--JOINT
FULL SIZE



13 GAMES TRIM ASS'Y. DOUBLE--JOINT
FULL SIZE



12 GAMES TRIM ASS'Y. TRIPLE--JOINT
FULL SIZE



14 GAMES TRIM ASS'Y. TRIM-TO-BASE JOINT
FULL SIZE

© 2011 M. FORD & ASSOCIATES INC.
THIS DOCUMENT IS PUBLISHED AS AN INSTRUMENT OF SERVICE AND IS GIVEN IN CONFIDENCE. IT REMAINS THE PROPERTY OF M. FORD & ASSOCIATES, INC. AND THE INFORMATION CONTAINED WITHIN MAY NOT BE REPRODUCED, COPIED, OR DISSEMINATED WITHOUT WRITTEN CONSENT OF M. FORD & ASSOCIATES, INC. HOUSTON, TEXAS



m. ford & associates
interior design
99 detersing street
suite 165
houston, tx 77007
phone 713-630-0800
fax 713-630-0814
mford@mfordassociates.com
www.mfordassociates.com

Queen of the World

SHEET NO.

ID.4.1

MISC. DETAILS

REVISED FOR CONSTRUCTION
MAY 16, 2012

SECTIONS THRU LOBBY ELEMENTS &
GAMES ROOM TRIM ASSYS.

ADDED FABRICATION DETAILS 5-16-12

© 2012 M. FORD & ASSOCIATES INC.
THIS DOCUMENT IS PUBLISHED AS AN INSTRUMENT OF SERVICE AND IS GIVEN IN CONFIDENCE. IT REMAINS THE PROPERTY OF M. FORD & ASSOCIATES, INC. THIS DOCUMENT AND THE INFORMATION CONTAINED WITHIN MAY NOT BE REPLICATED OR DISCLOSED WITHOUT WRITTEN CONSENT OF M. FORD & ASSOCIATES, INC. HOUSTON, TEXAS

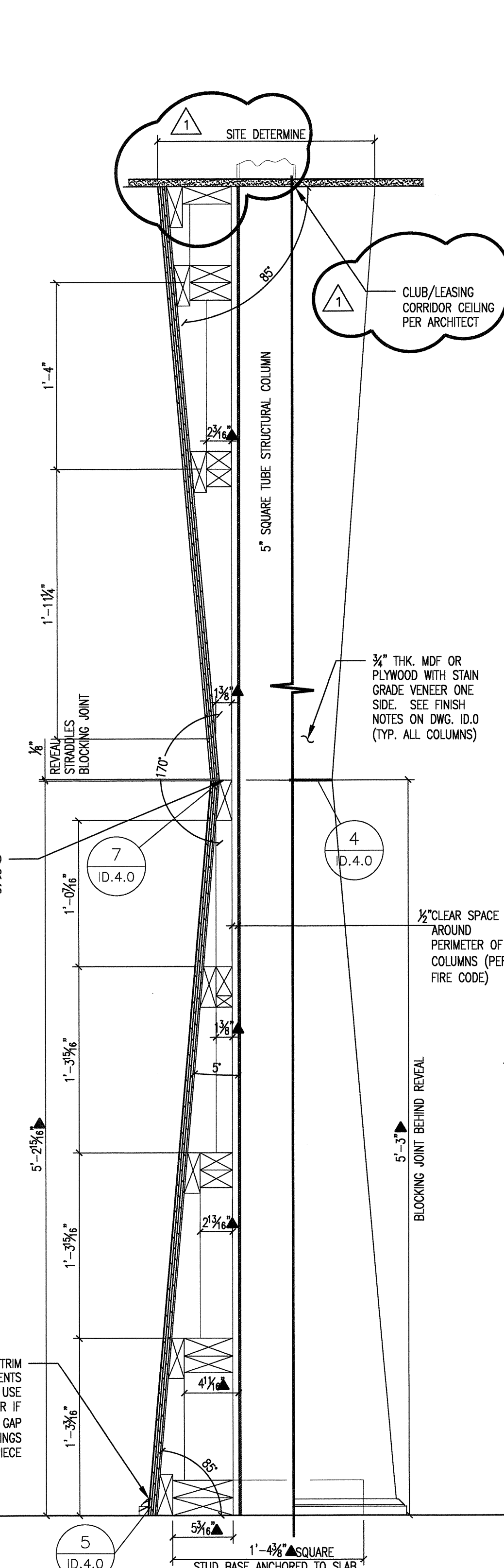
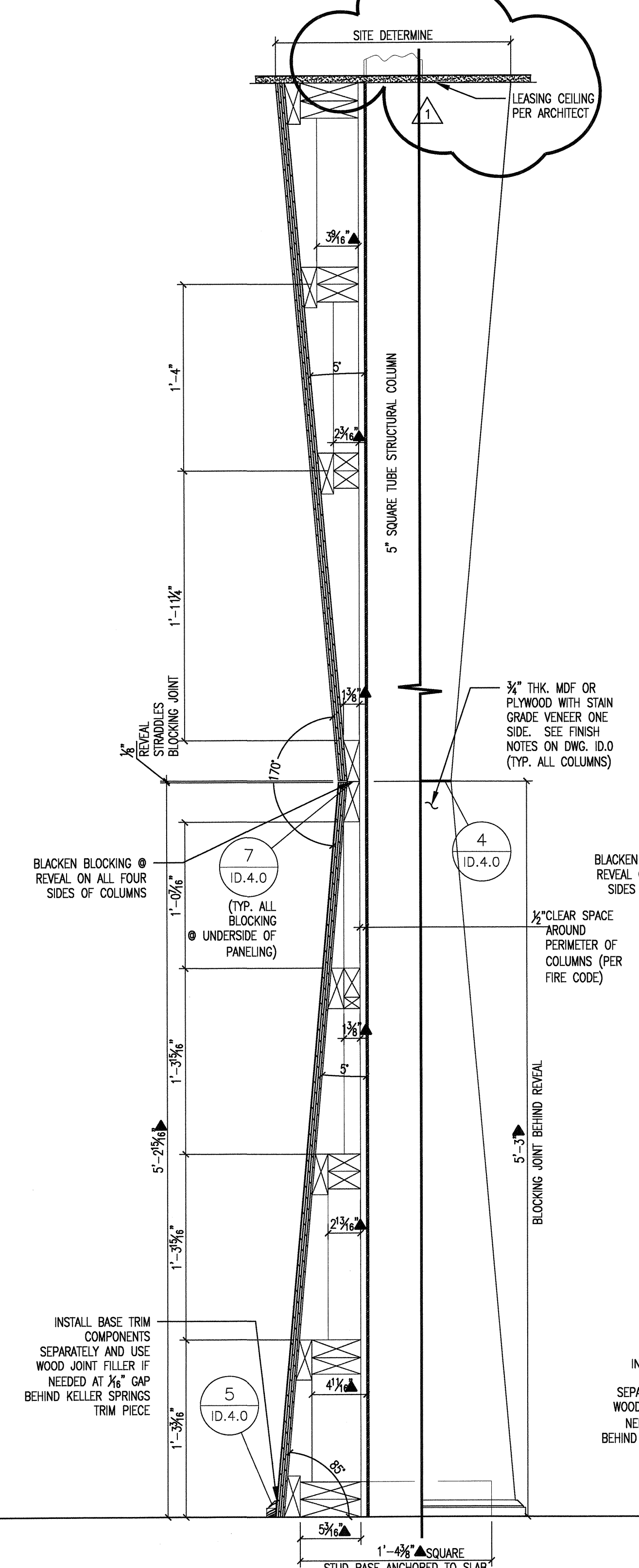
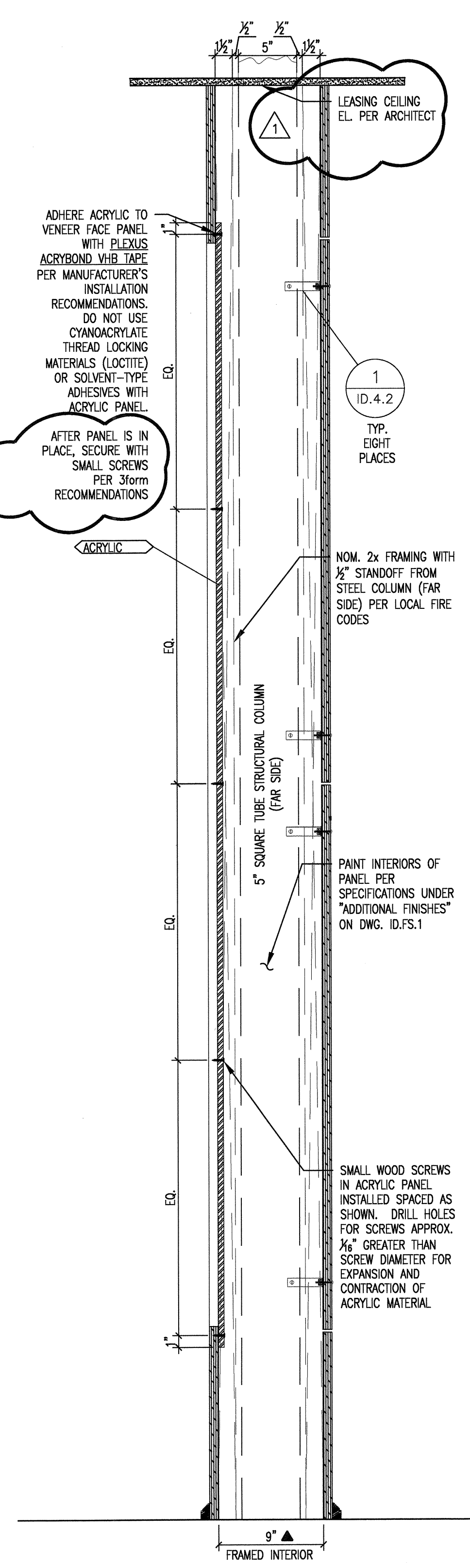
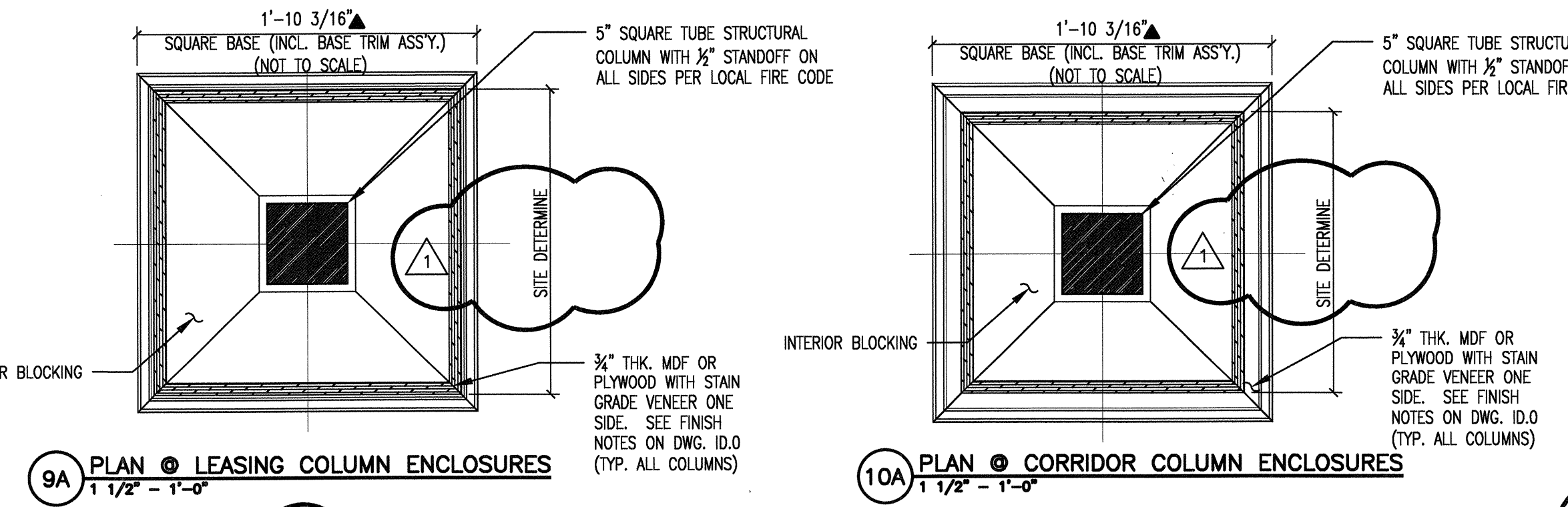
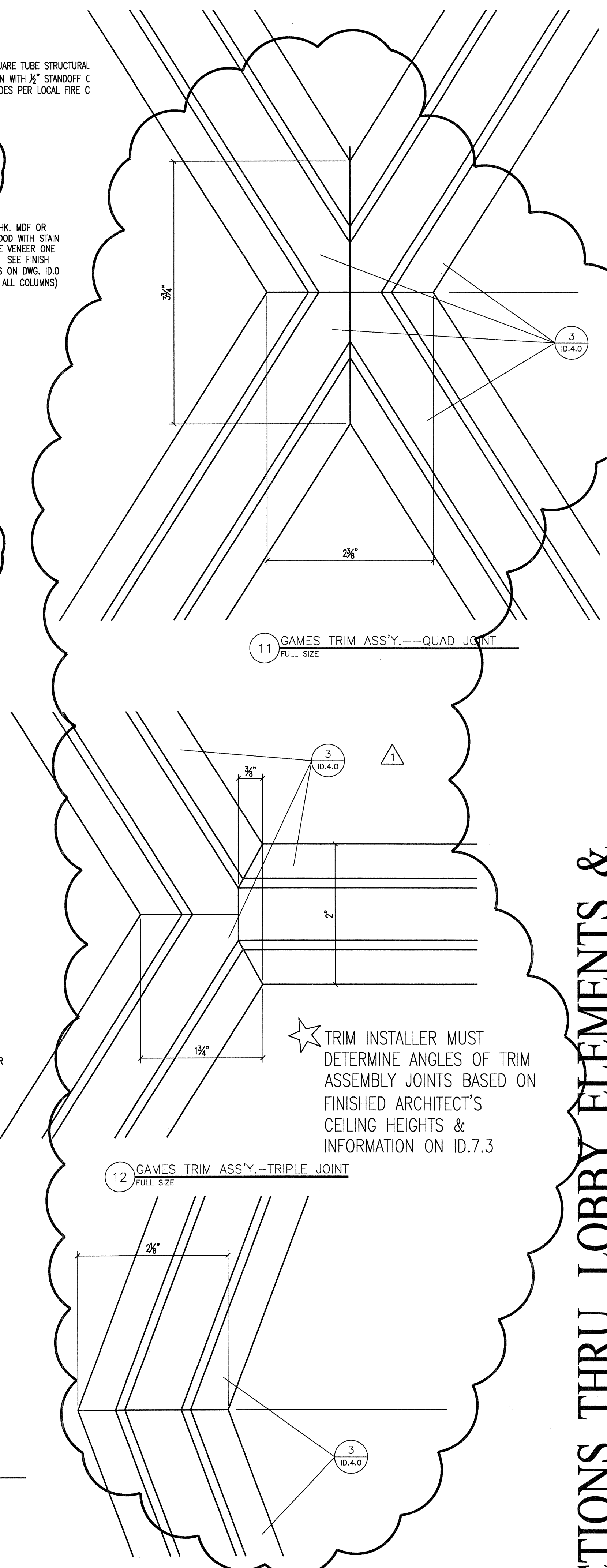


m. ford & associates
interior design
99 detersing street
suite 165
houston, tx 77007
phone 713-630-0800
fax 713-630-0814
mford@mfordassociates.com
www.mfordassociates.com

drawn by:
Queen of the World

SHEET NO.

ID.4.1



6C SECTION THRU LOBBY LIGHT PANEL
1 1/2" - 1'-0"

9 SECTION THRU LEASING COLUMN ENCLOSURE
1 1/2" - 1'-0"

10 SECTION THRU CORRIDOR COLUMN ENCLOSURE
1 1/2" - 1'-0"

13 GAMES TRIM ASS'Y.--DOUBLE JOINT
FULL SIZE

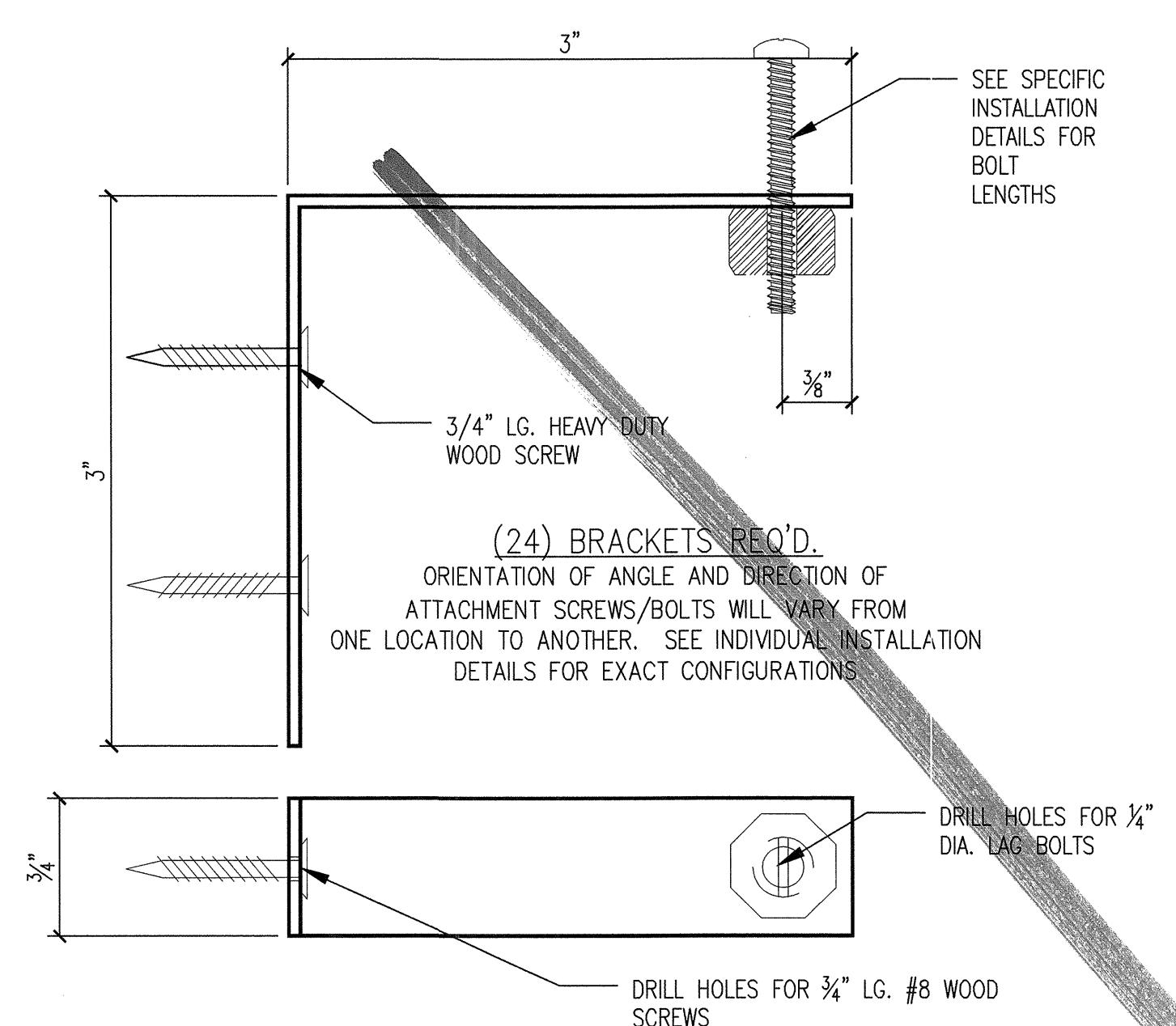
ADHERE ACRYLIC TO VENEER FACE PANEL WITH PLEXUS ACRYBOND VHB TAPE PER MANUFACTURER'S INSTALLATION RECOMMENDATIONS. DO NOT USE CYANOACRYLATE THREAD LOCKING MATERIALS (LOCTITE) OR SOLVENT-TYPE ADHESIVES WITH ACRYLIC PANEL.
AFTER PANEL IS IN PLACE, SECURE WITH SMALL SCREWS PER 3form RECOMMENDATIONS

BLACKEN BLOCKING @ REVEAL ON ALL FOUR SIDES OF COLUMNS
1/2" CLEAR SPACE AROUND PERIMETER OF COLUMNS (PER FIRE CODE)
BLOCKING JOINT BEHIND REVEAL

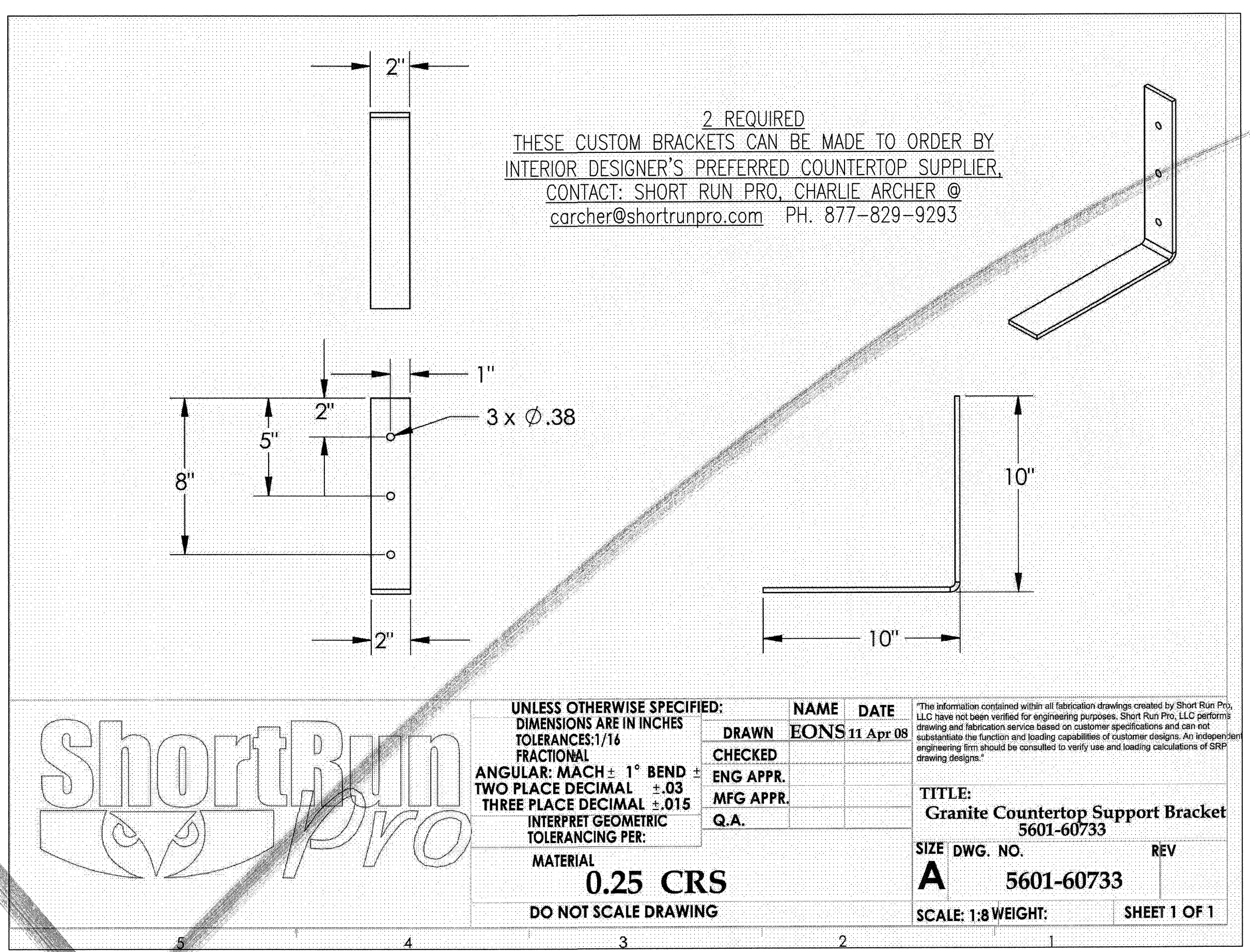
BLACKEN BLOCKING @ REVEAL ON ALL FOUR SIDES OF COLUMNS
1/2" CLEAR SPACE AROUND PERIMETER OF COLUMNS (PER FIRE CODE)
BLOCKING JOINT BEHIND REVEAL

★ TRIM INSTALLER MUST DETERMINE ANGLES OF TRIM ASSEMBLY JOINTS BASED ON FINISHED ARCHITECT'S CEILING HEIGHTS & INFORMATION ON ID.7.3

ISSUED FOR CONSTRUCTION
APRIL 23, 2012



1 MOUNTING ANGLE FOR VARIOUS REMOVABLE COMPONENTS FULL SIZE
THESE CUSTOM BRACKETS CAN BE MADE TO ORDER BY INTERIOR DESIGNER'S PREFERRED COUNTERTOP SUPPLIER.
CONTACT: SHORT RUN PRO, CHARLIE ARCHER @ carcher@shortrunpro.com PH. 877-829-9293



2 GRANITE COUNTERTOP ANGLE BRACKET FULL SIZE

UNLESS OTHERWISE SPECIFIED: DIMENSIONS ARE IN INCHES TOLERANCES: 1/16 FRACTIONAL ANGULAR: MACH ± 1° BEND ± TWO PLACE DECIMAL ±.03 THREE PLACE DECIMAL ±.015 INTERPRET GEOMETRIC TOLERANCING PER: MATERIAL 0.25 CRS DO NOT SCALE DRAWING

NAME	DATE	<small>The information contained within all fabrication drawings created by Short Run Pro, LLC have not been verified for engineering purposes. Short Run Pro, LLC performs drawing and fabrication service based on customer specifications and can not guarantee the function and loading capabilities of customer designs. An independent engineering firm should be consulted to verify use and loading calculations of BRP drawings.</small>
DRAWN	EONS 11 Apr 08	
CHECKED		
ENG APPR.		
MFG APPR.		
G.A.		TITLE: Granite Countertop Support Bracket SIZE DWG. NO. A 5601-60733 SCALE: 1:8 WEIGHT: SHEET 1 OF 1

UNDERMOUNT GROUP

ADA COMPLIANT

US-ADA-SERIES - A - 18 GA.

SUBMITTAL DATA

SPECIFICATION
Seamless die-drawn construction of type 304, 18-g stainless steel. Interior and top surfaces polished to a non-porous Hand-Blended Just Finish with highlighted bowl rim. Fully coated underside insulates for sound, and absorbs condensation. Conforms to ASME/ANSI A112.19.3M. Furnished with undermount clips less fasteners. Drain punch #35 centered for Just J-35 unless otherwise specified.

MODEL NO.	A	B	C	D	DEPTH
US-ADA-13518-A*	13-1/2	18	11-1/2	18	4-1/2 to 6-1/2
US-ADA-1616-A	16	16	14	14	4-1/2 to 6-1/2
US-ADA-1618-A	16	18	14	16	4-1/2 to 6-1/2
US-ADA-1620-A	16	20	14	18	4-1/2 to 6-1/2
US-ADA-1818-A	18	18	16	16	4-1/2 to 6-1/2
US-ADA-1821-A	18	21	16	18	4-1/2 to 6-1/2
US-ADA-1824-A	18	24	16	22	4-1/2 to 6-1/2
US-ADA-1830-A	18	30	16	28	4-1/2 to 6-1/2

*AVAILABLE DRAIN CENTERED ONLY

JUST MFG COMPANY CONTINUES TO MAKE QUALITY AND FUNCTIONALITY A MARK OF THE JUST PRODUCT LINE. TO DO SO REQUIRES THAT WE RESERVE THE RIGHT TO CHANGE PRODUCT INFORMATION WITHOUT NOTICE. FOR THE MOST CURRENT AND ACCURATE INFORMATION REGARDING THE COMPLETE LINE OF JUST SINKS, FAUCETS AND DRAINS, CLICK ON THE SPEC LINE DRAWING LINK ON OUR WEB SITE! www.justmfg.com

Job Name: _____
Customer: _____
Architect/Engineer: _____

APPROVED FOR MANUFACTURING
MODEL NO. _____ QTY. _____
COMPANY: _____
TITLE: _____ DATE: _____
SIGNATURE: _____

DRAIN LOCATION MUST BE SPECIFIED:
CENTER (SHOWN)
LEFT REAR
RIGHT REAR
CENTER REAR

LOCATIONS MUST BE A MINIMUM OF 4 1/2" FROM THE BOWL WALL.

JUST MANUFACTURING COMPANY
9233 KING STREET - FRANKLIN PARK, ILLINOIS - 60131-2111
PH: 847-878-5150 - FAX: 847-678-8817
E-MAIL: custserv@justmfg.com - www.justmfg.com

3 COFFEE BAR SINK SPECIFICATION (ADA COMPLIANT) NO SCALE

ELKAY
sinks + faucets

Installation Instructions

PLAUH, PODUH, AND ELUHAD Series Undermount Stainless Steel Sinks with 1/2" Reveal Countertop Installation

ATTENTION INSTALLER:

- ELKAY RECOMMENDS THAT UNDERMOUNT SINKS SHOULD BE INSTALLED BY A PROFESSIONAL EXPERIENCED INSTALLER.
- WARNING: THE ENCLOSED CUTOUT TEMPLATE WILL CREATE A COUNTERTOP OPENING THAT WILL EXPOSE APPROXIMATELY 1/2" OF SINK RIM LEDGE. IT IS RECOMMENDED THAT YOU DISCUSS THIS WITH YOUR CUSTOMER AND AGREE THAT THIS FINISHED APPEARANCE IS THE DESIRED EFFECT. ELKAY IS NOT RESPONSIBLE FOR IMPROPER SINK OR COUNTERTOP INSTALLATIONS. DUE TO THE AESTHETIC QUALITIES OF THE CONVERGING BOWL RADII, THE TEMPLATE FURNISHED WITH EACH SINK PROVIDES THE ONLY OPENING RECOMMENDED FOR INSTALLATION OF ELKAY UNDERMOUNT SINKS. SEE ILLUSTRATION BELOW.
- ELKAY UNDERMOUNT SINKS SHOULD ONLY BE FASTENED TO A SOLID SURFACE COUNTERTOP (I.E. GRANITE/CORIAN®/SILESTONE®).
- ELKAY IS NOT RESPONSIBLE FOR SINK OR COUNTERTOP IF DAMAGED DURING INSTALLATIONS.
- METAL EDGES MAY BE SHARP - USE CAUTION WHEN HANDLING.
- FOLLOW ALL LOCAL PLUMBING AND BUILDING CODES.
- INSPECT SINK FOR DAMAGE PRIOR TO BEGINNING INSTALLATION.

INSTALLING SINK

- Position template on countertop. Locate the template front to rear, so that sink will not interfere with the cabinet.
- Trace a line around the template. Cut along the inside of this line to provide opening. This size opening will provide approximately a 1/2" Reveal. (Please see item #2 under Attention Installer).
- Locate and drill the mounting holes (following the countertop manufacturer's instructions) as shown below. Holes should allow even spacing of mounting brackets around the sink. Type of fasteners to be as recommended by countertop supplier.
- Fasten mounting brackets to countertop loosely.
- Using a good quality silicone caulk, apply a bead evenly all around the top of the sink flanges.
- Position and align sink over the countertop opening. Press silicone onto countertop.
- Tighten fasteners until mounting brackets are snug against sink.
- Check alignment of sink to countertop opening.
- Tighten down fasteners evenly. Be careful not to overtighten. Remove excess silicone.

4 KITCHEN SINK SPECIFICATION (ADA COMPLIANT) NO SCALE

ELKAY SPECIFICATIONS

Lustertone® Undermount Double Bowl Sink Model ELUHAD Series - A.D.A. Compliant

GENERAL
Highest quality sink formed of # 18 (1.2mm) gauge, type 304 (18-8) nickel bearing stainless steel.

DESIGN FEATURES
ELUHAD Bowl Depth: 4-1/2" (114mm), 5" (127mm) or 5-1/2" (140mm).
Finish: Exposed surfaces are hand blended to a lustrous high-lighted satin finish with a highlighted inside top bowl radius. Underside: Underside of sink is fully protected by heavy duty Sound Guard™ der coating to prevent condensation and deaden sound.

OTHER
Drain Opening: 3-1/2" (89mm) center rear location.
NOTE: All Elkay undermount sinks are designed to attach to the underside of any solid surface countertop.

SINK DIMENSIONS*

Model Number	Overall				Inside Each Bowl			Cutout in Countertop	Minimum Cabinet
	Length	Width	Length	Width	Depth				
ELUHAD318	30 1/4 (761mm)	18 1/4 (463mm)	13 1/4 (338mm)	6 (152mm)	4 1/2 (114mm)	36 (914mm)	36 (914mm)	36 (914mm)	
ELUHAD320R	31 1/4 (791mm)	18 1/4 (463mm)	13 1/4 (338mm)	6 (152mm)	4 1/2 (114mm)	36 (914mm)	36 (914mm)	36 (914mm)	
ELUHAD3216	31 1/4 (791mm)	18 1/4 (463mm)	13 1/4 (338mm)	6 (152mm)	4 1/2 (114mm)	36 (914mm)	36 (914mm)	36 (914mm)	
ELUHAD3618	35 1/4 (896mm)	18 1/4 (463mm)	13 1/4 (338mm)	6 (152mm)	4 1/2 (114mm)	36 (914mm)	36 (914mm)	36 (914mm)	
ELUHAD4218	41 1/4 (1041mm)	18 1/4 (463mm)	13 1/4 (338mm)	6 (152mm)	4 1/2 (114mm)	36 (914mm)	36 (914mm)	36 (914mm)	
ELUHAD4616	45 1/4 (1149mm)	18 1/4 (463mm)	13 1/4 (338mm)	6 (152mm)	4 1/2 (114mm)	36 (914mm)	36 (914mm)	36 (914mm)	

*Length is left to right. Width is front to back.
*Available in 6" (152mm), 5" (127mm) or 4 1/2" (114mm).

Model ELUHAD318 illustrated

Model ELUHAD320R illustrated

Installation Profile of ELUHAD Double Bowl Models
The template provided with each ELUHAD sink provides the type of installation recommended by Elkay.

1-1/4" (32mm) TYP AROUND ENTIRE SINK FLANGE

In keeping with our policy of continuing product improvement, Elkay reserves the right to change product specifications without notice. Please visit elkayusa.com for most current version of Elkay product specifications sheets.

This specification describes an Elkay product with design, quality and functional benefits to the user. When making a comparison of other product offerings, be certain these features are not overlooked.

Elkay 2222 Camden Court Oak Brook, IL 60523 Printed in U.S.A. ©2009 Elkay (Rev. 7/09) -303A elkayusa.com

MISC. DETAILS & SPECIFICATIONS

© 2012 M. FORD & ASSOCIATES, INC. THIS DOCUMENT IS PUBLISHED AS AN INSTRUMENT OF SERVICE AND IS GIVEN IN CONFIDENCE. IT REMAINS THE PROPERTY OF M. FORD & ASSOCIATES, INC. THIS DOCUMENT AND THE INFORMATION CONTAINED HEREIN MAY NOT BE DUPLICATED OR DISCLOSED WITHOUT WRITTEN CONSENT OF M. FORD & ASSOCIATES, INC., HOUSTON, TEXAS

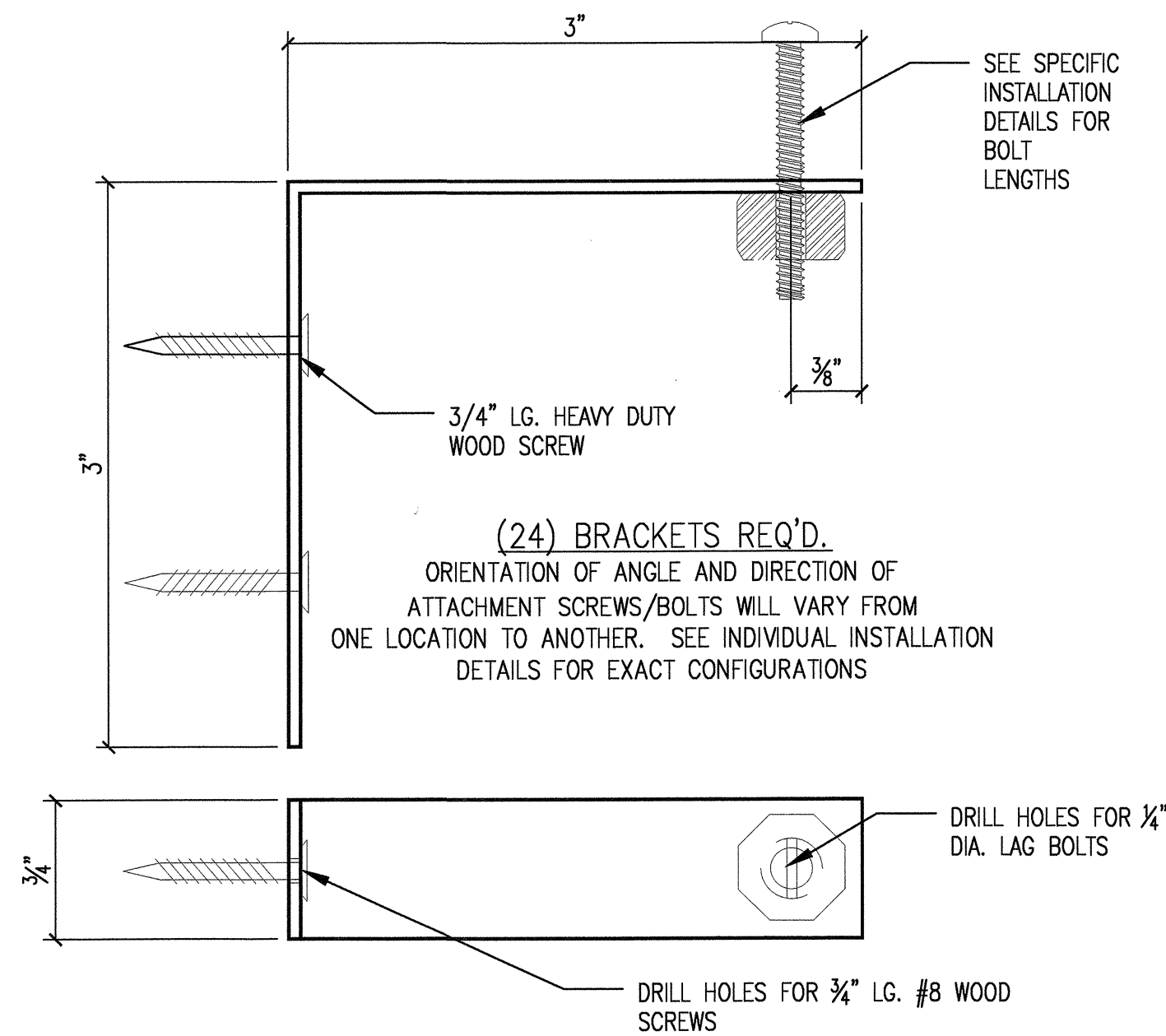


m. ford & associates
interior design
99 detersing street
suite 165
houston, tx 77007
phone 713-630-0800
fax 713-630-0814
mford@mfordassociates.com
www.mfordassociates.com

Queen of the World

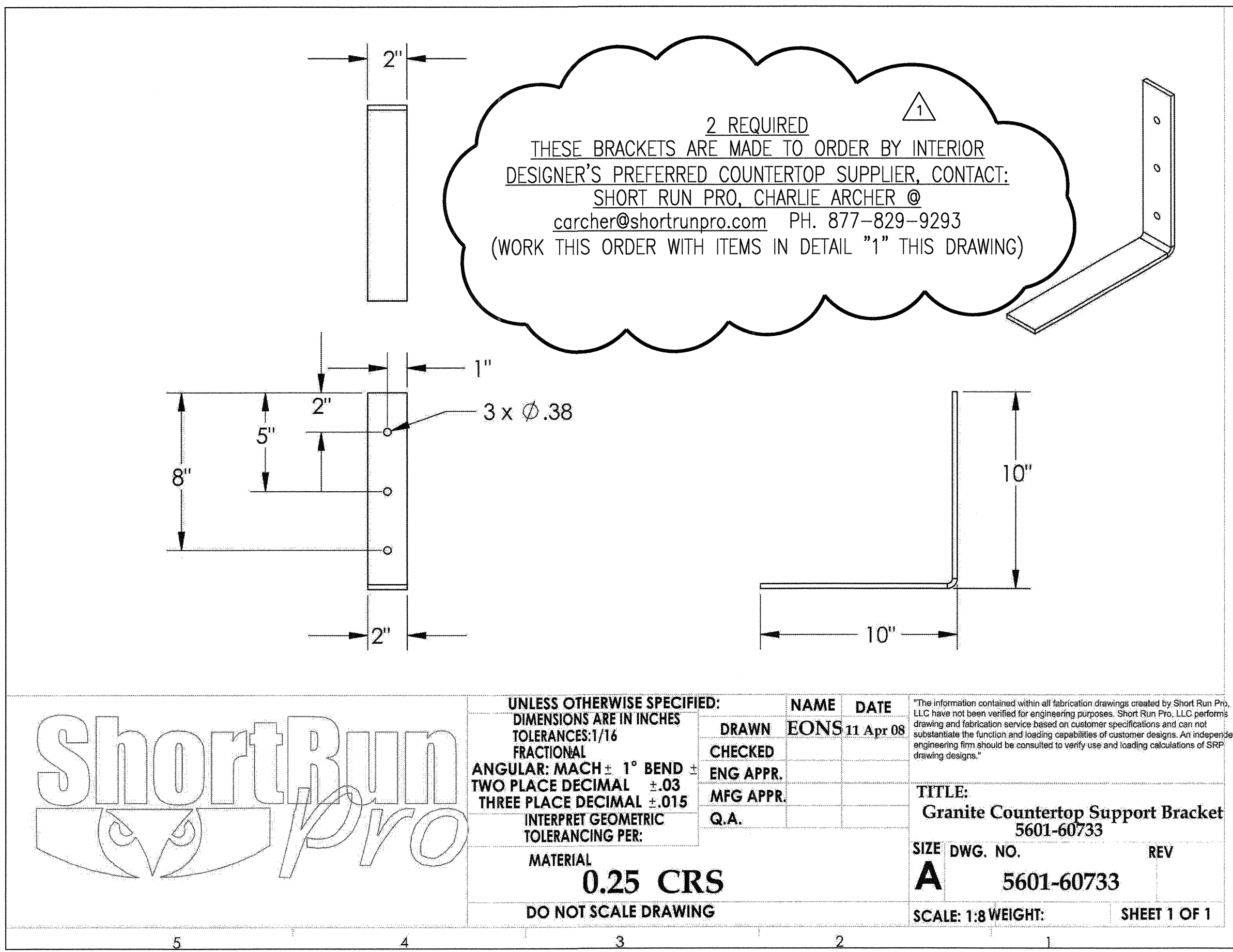
SHEET NO.

ID.4.2



1 MOUNTING ANGLE FOR VARIOUS REMOVABLE COMPONENTS FULL SIZE

THESE CUSTOM BRACKETS CAN BE MADE TO ORDER BY INTERIOR DESIGNER'S PREFERRED COUNTERTOP SUPPLIER. CONTACT: SHORT RUN PRO, CHARLIE ARCHER @ carcher@shortrunpro.com PH. 877-829-9293



2 GRANITE COUNTERTOP ANGLE BRACKET FULL SIZE

ShortRun Pro

UNLESS OTHERWISE SPECIFIED: DIMENSIONS ARE IN INCHES TOLERANCES: 1/16 FRACTIONAL ANGULAR: MACH ± 1° BEND ± TWO PLACE DECIMAL ±.03 THREE PLACE DECIMAL ±.015 INTERPRET GEOMETRIC TOLERANCING PER: MATERIAL 0.25 CRS DO NOT SCALE DRAWING

NAME	DATE	<small>*The information contained within all fabrication drawings created by Short Run Pro, LLC have not been verified for engineering purposes. Short Run Pro, LLC performs drawing and fabrication services based on customer specifications and can not guarantee the function and loading capabilities of customer designs. An independent engineering firm should be consulted to verify use and loading calculations of SRP drawing designs.</small>
DRAWN	EONS 11 Apr 08	
CHECKED		
ENG APPR.		
MFG APPR.		
Q.A.		TITLE: Granite Countertop Support Bracket SIZE DWG. NO. A 5601-60733 SCALE: 1:8 WEIGHT: SHEET 1 OF 1

UNDERMOUNT GROUP

ADA COMPLIANT

US-ADA-SERIES - A - 18 GA.

SUBMITTAL DATA

SPECIFICATION

Seamless die-drawn construction of type 304, 18-8 stainless steel. Interior and top surfaces polished to a non-porous Hand-Blanded Just Finish with highlighted bowl rim. Fully coated underside insulates for sound, and absorbs condensation. Conforms to ASME/ANSI A112.19.3M. Furnished with undermount clips less fasteners. Drain punch #35 centered for Just J-35 unless otherwise specified.

MODEL NO.	A	B	C	D	DEPTH
US-ADA-13518-A*	13-1/2	18	11-1/2	16	4-1/2 to 6-1/2
US-ADA-1618-A	16	18	14	14	4-1/2 to 6-1/2
US-ADA-1818-A	18	18	14	16	4-1/2 to 6-1/2
US-ADA-1820-A	18	20	14	18	4-1/2 to 6-1/2
US-ADA-1818-A	18	18	16	16	4-1/2 to 6-1/2
US-ADA-1821-A	18	21	16	19	4-1/2 to 6-1/2
US-ADA-1824-A	18	24	16	22	4-1/2 to 6-1/2
US-ADA-1830-A	18	30	16	28	4-1/2 to 6-1/2

APPROVED FOR MANUFACTURING

MODEL NO. QTY.

COMPANY

TITLE DATE

SIGNATURE

JUST MANUFACTURING COMPANY

9233 KING STREET - FRANKLIN PARK - ILLINOIS - 60131-2111
 PH: 847-678-8150 - FAX: 847-678-6817
 E-MAIL: custserv@justmfg.com - www.justmfg.com

3 COFFEE BAR SINK SPECIFICATION (ADA COMPLIANT) NO SCALE

ELKAY Installation Instructions

sinks + faucets

PLAUH, PODUH, AND ELUHAD Series Undermount Stainless Steel Sinks with 1/2" Reveal Countertop Installation

ATTENTION INSTALLER:

- ELKAY RECOMMENDS THAT UNDERMOUNT SINKS SHOULD BE INSTALLED BY A PROFESSIONAL EXPERIENCED INSTALLER.
- WARNING: THE ENCLOSED CUTOUT TEMPLATE WILL CREATE A COUNTERTOP OPENING THAT WILL EXPOSE APPROXIMATELY 1/2" OF SINK RIM LEDGE. IT IS RECOMMENDED THAT YOU DISCUSS THIS WITH YOUR CUSTOMER AND AGREE THAT THIS FINISHED APPEARANCE IS THE DESIRED EFFECT. ELKAY IS NOT RESPONSIBLE FOR IMPROPER SINK OR COUNTERTOP INSTALLATIONS. DUE TO THE AESTHETIC QUALITIES OF THE CONVERGING BOWL RADII, THE TEMPLATE FURNISHED WITH EACH SINK PROVIDES THE ONLY OPENING RECOMMENDED FOR INSTALLATION OF ELKAY UNDERMOUNT SINKS. SEE ILLUSTRATION BELOW.
- ELKAY UNDERMOUNT SINKS SHOULD ONLY BE FASTENED TO A SOLID SURFACE COUNTERTOP (I.E. GRANITE/CORIAN®/SILESTONE®).
- ELKAY IS NOT RESPONSIBLE FOR SINK OR COUNTERTOP IF DAMAGED DURING INSTALLATIONS.
- METAL EDGES MAY BE SHARP - USE CAUTION WHEN HANDLING.
- FOLLOW ALL LOCAL PLUMBING AND BUILDING CODES.
- INSPECT SINK FOR DAMAGE PRIOR TO BEGINNING INSTALLATION.

INSTALLING SINK

- Position template on countertop. Locate the template front to rear, so that sink will not interfere with the cabinet.
- Trace a line around the template. Cut along the inside of this line to provide opening. This size opening will provide approximately a 1/2" Reveal. (Please see item #2 under Attention Installer.)
- Locate and drill the mounting holes (following the countertop manufacturer's instructions) as shown below. Holes should allow even spacing of mounting brackets around the sink. Type of fasteners to be as recommended by countertop supplier.
- Fasten mounting brackets to countertop loosely.
- Using a good quality silicone caulk, apply a bead evenly all around the top of the sink flanges.
- Position and align sink over the countertop opening. Press silicone onto countertop.
- Tighten fasteners until mounting brackets are snug against sink.
- Check alignment of sink to countertop opening.
- Tighten down fasteners evenly. Be careful not to overtighten. Remove excess silicone.

4 KITCHEN SINK SPECIFICATION (ADA COMPLIANT) NO SCALE

ELKAY SPECIFICATIONS

Lustertone® Undermount Double Bowl Sink Model ELUHAD Series -A.D.A. Compliant

GENERAL
 Highest quality sink formed of # 18 (1.2mm) gauge, type 304 (18-8) nickel bearing stainless steel.

DESIGN FEATURES
 ELUHAD Bowl Depth: 4-1/2" (114mm), 5" (127mm) or 5-1/2" (140mm).
 Finish: Exposed surfaces are hand blended to a lustrous high-lighted satin finish with a highlighted inside top bowl radius. Underside: Underside of sink is fully protected by heavy duty Sound Guard™ die coating to prevent condensation and deaden sound.

OTHER
 Drain Opening: 3-1/2" (89mm) center rear location.
 NOTE: All Elkay undermount sinks are designed to attach to the underside of any solid surface countertop.

SINK DIMENSIONS*

Model Number	Overall			Inside Each Bowl			Cutout in Countertop	Minimum Cabinet
	Length	Width	Depth	Length	Width	Depth		
ELUHAD3118	30 1/4 (767mm)	18 1/2 (468mm)	13 1/2 (343mm)	8 (203mm)	4 1/2 (114mm)	4 1/2 (114mm)	36 (914mm)	36 (914mm)
ELUHAD3120R	31 1/4 (794mm)	18 1/2 (468mm)	14 (356mm)	8 (203mm)	4 1/2 (114mm)	4 1/2 (114mm)	36 (914mm)	36 (914mm)
ELUHAD3216	31 1/4 (794mm)	18 1/2 (468mm)	16 (406mm)	8 (203mm)	4 1/2 (114mm)	4 1/2 (114mm)	36 (914mm)	36 (914mm)
ELUHAD3618	36 (914mm)	18 1/2 (468mm)	14 (356mm)	8 (203mm)	4 1/2 (114mm)	4 1/2 (114mm)	36 (914mm)	36 (914mm)
ELUHAD4218	41 1/4 (1057mm)	18 1/2 (468mm)	14 (356mm)	8 (203mm)	4 1/2 (114mm)	4 1/2 (114mm)	45 (1143mm)	45 (1143mm)
ELUHAD4618	45 1/4 (1149mm)	18 1/2 (468mm)	14 (356mm)	8 (203mm)	4 1/2 (114mm)	4 1/2 (114mm)	51 (1295mm)	51 (1295mm)

*Length is left to right. Width is front to back.
 **Available in 4" (102mm), 5" (127mm) or 5 1/2" (140mm).

MISC. DETAILS & SPECIFICATIONS

KELLER SPRINGS CLUBHOUSE ADDISON, TX

REVISED FOR CONSTRUCTION MAY 16, 2012

2012 M. FORD & ASSOCIATES INC. PROPERTY OF M. FORD & ASSOCIATES, INC. THIS DOCUMENT AND THE INFORMATION CONTAINED HEREIN MAY NOT BE REPRODUCED OR DISCLOSED WITHOUT WRITTEN CONSENT OF M. FORD & ASSOCIATES, INC. HOUSTON, TEXAS



m. ford & associates interior design 99 deterring street suite 165 houston, tx 77007 phone 713-630-0800 fax 713-630-0814 mford@mfordassociates.com www.mfordassociates.com

Queen of the World

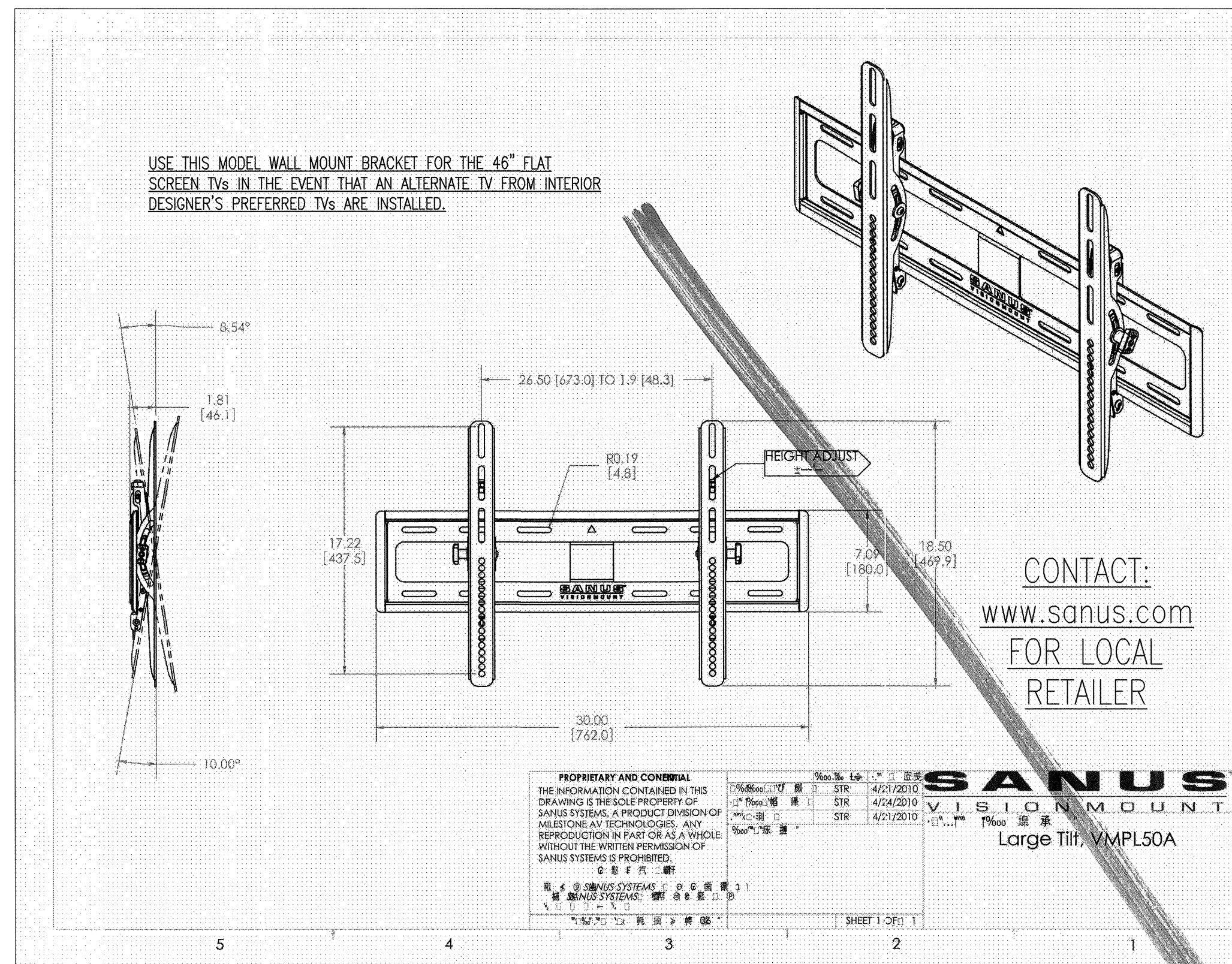
SHEET NO.

ID.4.2

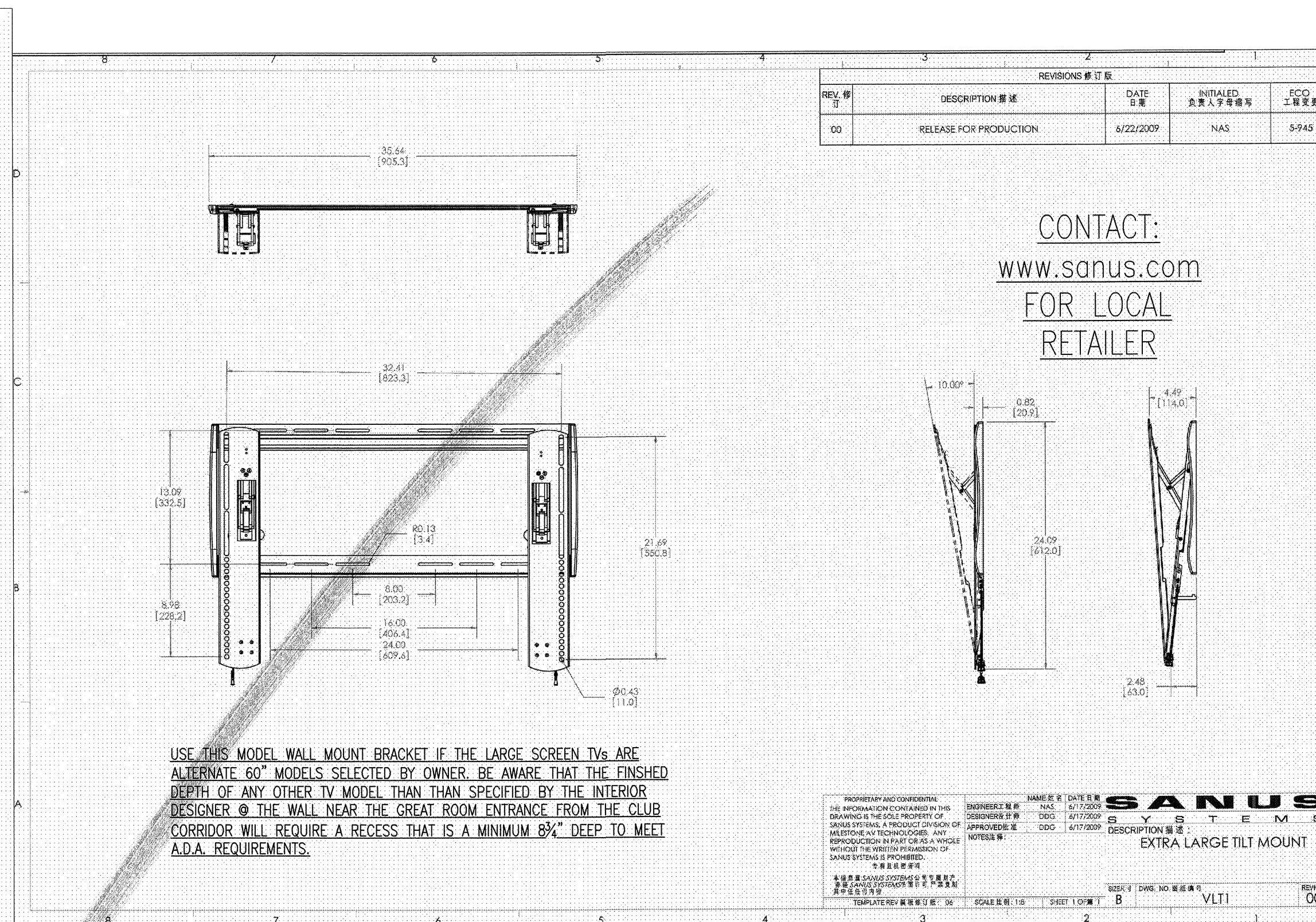
ISSUED FOR CONSTRUCTION
APRIL 23, 2012

KELLER SPRINGS CLUBHOUSE
ADDISON, TX

INTERIOR DESIGNER'S PREFERRED
FLAT SCREEN TV MODELS & MOUNTING BRACKETS



CONTACT:
www.sanus.com
FOR LOCAL
RETAILER



CONTACT:
www.sanus.com
FOR LOCAL
RETAILER

USE THIS MODEL WALL MOUNT BRACKET IF THE LARGE SCREEN TV'S ARE ALTERNATE 60" MODELS SELECTED BY OWNER. BE AWARE THAT THE FINISHED DEPTH OF ANY OTHER TV MODEL THAN SPECIFIED BY THE INTERIOR DESIGNER @ THE WALL NEAR THE GREAT ROOM ENTRANCE FROM THE CLUB CORRIDOR WILL REQUIRE A RECESS THAT IS A MINIMUM 8 3/4" DEEP TO MEET A.D.A. REQUIREMENTS.

CONTACT: www.sharpusa.com
FOR LOCAL AQUOS
RETAILER

INTERIOR DESIGNER'S FLAT SCREEN SELECTION FOR SMALL SCREENS
@ GAME ROOM
SHARP AQUOS LC-46LE830U

Basic Specifications	
Screen Size Class	46" Class (46" Diagonal)
Panel Type	X-Gen LCD Panel
10-bit LCD Panel	Yes
Pixel Resolution	Full 1920 x 1080 HD Resolution
Backlight System	Edge lit LED
Viewing Angles	176° H / 176° V
Audio System	10W + 10W + 15W (Subwoofer)
Tuning System	ATSC / QAM / NTSC
Dynamic Contrast Ratio	6,000,000:1
Aspect Ratio	16:9
Response Time	4ms
Features	
Connected TV Services	Yes
AQUOS® Series	Yes
Quattron™ quad pixel technology	Yes
AQUOS Advantage™ Support	Yes
Digital Still Picture Display	Yes
Terminals	
Inputs	HDMI® 4
HD Component	1
Composite Video	1
Audio Inputs (L/R)	RCA X 2
RS-232C	1
PC	1 (15-pin D-sub)
Ethernet Input	1
Power	
Power Consumption AC (watts)	180W
Power Source	120 V, 60 Hz
Weight & Dimensions	
Dimensions (wxhxd) (inches)	42 13/64" x 26 7/64" x 15 1/8"
Weight	Product Weight (lbs.) 41.9
	Weight with Stand (lbs.) 50.7
Additional Specifications	
Limited Warranty	1 year parts and labor from date of purchase
Included Accessories	
Remote Control	Yes

INTERIOR DESIGNER'S FLAT SCREEN SELECTION FOR LARGE SCREEN
TVs @ KITCHEN, WALL NEAR CLUB ENTRANCE FROM CORRIDOR &
IN GREAT ROOM
(OPTIONAL 3D VERSION FOR GREAT ROOM IS #LC-60LE85U)

Item	Model: LC-60LE83U
LCD panel	Size: 60" Class (60" Diagonal) Resolution: 2,073,600 pixels (1,920 x 1,080) TV-standard (CCIR): American TV Standard ATSC/NTSC System VHF/UHF: VHF 2-13ch, UHF 14-69ch CATV: 1-135ch (non-scrambled channel only)
TV Function	Receiving Channel: Digital Terrestrial Broadcast (8VSB) 2-69ch Digital cable* (QAM) 1-135ch (non-scrambled channel only) Audio multiplex: BTSC System
Audio out	HDMI 1: HDMI In with HDCP, Audio In (Ø 3.5 mm stereo jack) HDMI 2: HDMI In with HDCP HDMI 3: HDMI In with HDCP HDMI 4: HDMI In with HDCP AUDIO OUT: Audio out (Ø 3.5 mm stereo jack) USB 1: Photo/Music/Video mode, Software update COMPONENT: COMPONENT in VIDEO 1: AV in VIDEO 2: AV in
Terminals	Back panel surface inputs: PC IN: ANALOG RGB (PC) in (15-pin mini D-sub female connector), Audio in (Ø 3.5 mm stereo jack) RS-232C: 9-pin D-sub male connector ANTICABLE: 75-Ω Unbalanced, F Type 1 for Analog (VHF/UHF/CATV) and Digital (AR/CABLE) AUDIO IN: Audio in (Ø 3.5 mm stereo jack) DIGITAL AUDIO OUTPUT: Optical Digital audio output 1 (PCM/Dolby Digital) ETHERNET: Network connector USB 2: Photo/Music/Video mode, Software update
OSD language	English/French/Spanish
Power Requirement	AC 120 V, 60 Hz
Power Consumption	207 W (0.1 W Standby with AC 120 V)
Weight	TV + stand: 72.8 lbs./33.0 kg TV only: 66.2 lbs./30.0 kg
Dimension* (W x H x D)	TV + stand: 54 7/16" x 34 7/16" x 13 1/4" inch TV only: 54 7/16" x 33 g 2 7/16" inch
Operating temperature	e 32°F to 104°F (0°C to 40°C)

INTERIOR DESIGNER'S FLAT SCREEN TV SELECTION NOTES

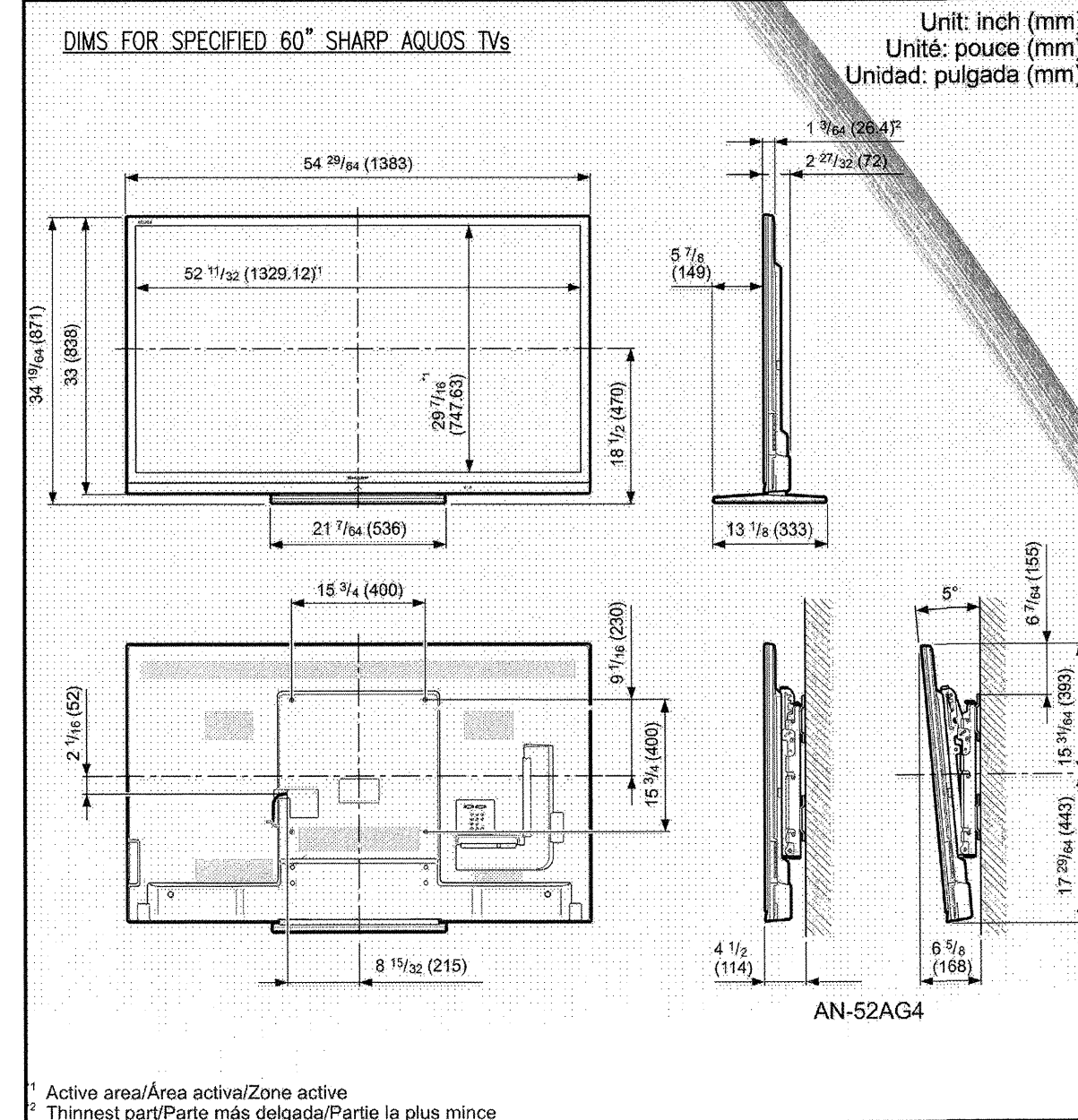
TV SELECTIONS WERE BASED UPON THE FOLLOWING (IN ORDER OF IMPORTANCE):

1. DEPTH OF TV CHASSIS TO CONFORM WITH ADA PROTRUDING ELEMENT GUIDELINES.
2. HIGH DEFINITION
3. 3D OPTION (LARGE TV @ GREAT ROOM TV CABINET ONLY)
4. INCLUDED WIRELESS LAN ADAPTER
5. MULTI-MEDIA FRIENDLY---CABLE READY, DVD/BLU-RAY RECORDERS/PLAYERS, USB DEVICES, SOUND SYSTEMS, MEMORY CARDS AND CAMCORDERS
6. SLIM CLEAN LINES OF TV CHASSIS FRAME

SIZES SHOWN HERE ARE RECOMMENDED BASED UPON THE AMOUNT OF SPACE THE FINISHED INSTALLATION WILL COVER. ANYTHING SMALLER OR LARGER WILL NOT BE BALANCED WITH THE SURROUNDING INTERIOR DESIGN.

FINAL TV SELECTIONS TO BE DETERMINED BY OWNER

Dimensional Drawings



© 2012 M. FORD & ASSOCIATES, INC.
THIS DOCUMENT IS PUBLISHED AS AN INSTRUMENT OF SERVICE AND IS GIVEN IN CONFIDENCE. IT REMAINS THE PROPERTY OF M. FORD & ASSOCIATES, INC. NO PART OF THIS DOCUMENT, AND THE INFORMATION CONTAINED WITHIN MAY NOT BE DUPLICATED OR DISCLOSED WITHOUT WRITTEN CONSENT OF M. FORD & ASSOCIATES, INC. HOUSTON, TEXAS



m. ford & associates
interior design
99 detersing street
suite 165
houston, tx 77007
phone 713-630-0800
fax 713-630-0814
mford@mfordassociates.com
www.mfordassociates.com

drawn by:
Queen of the World

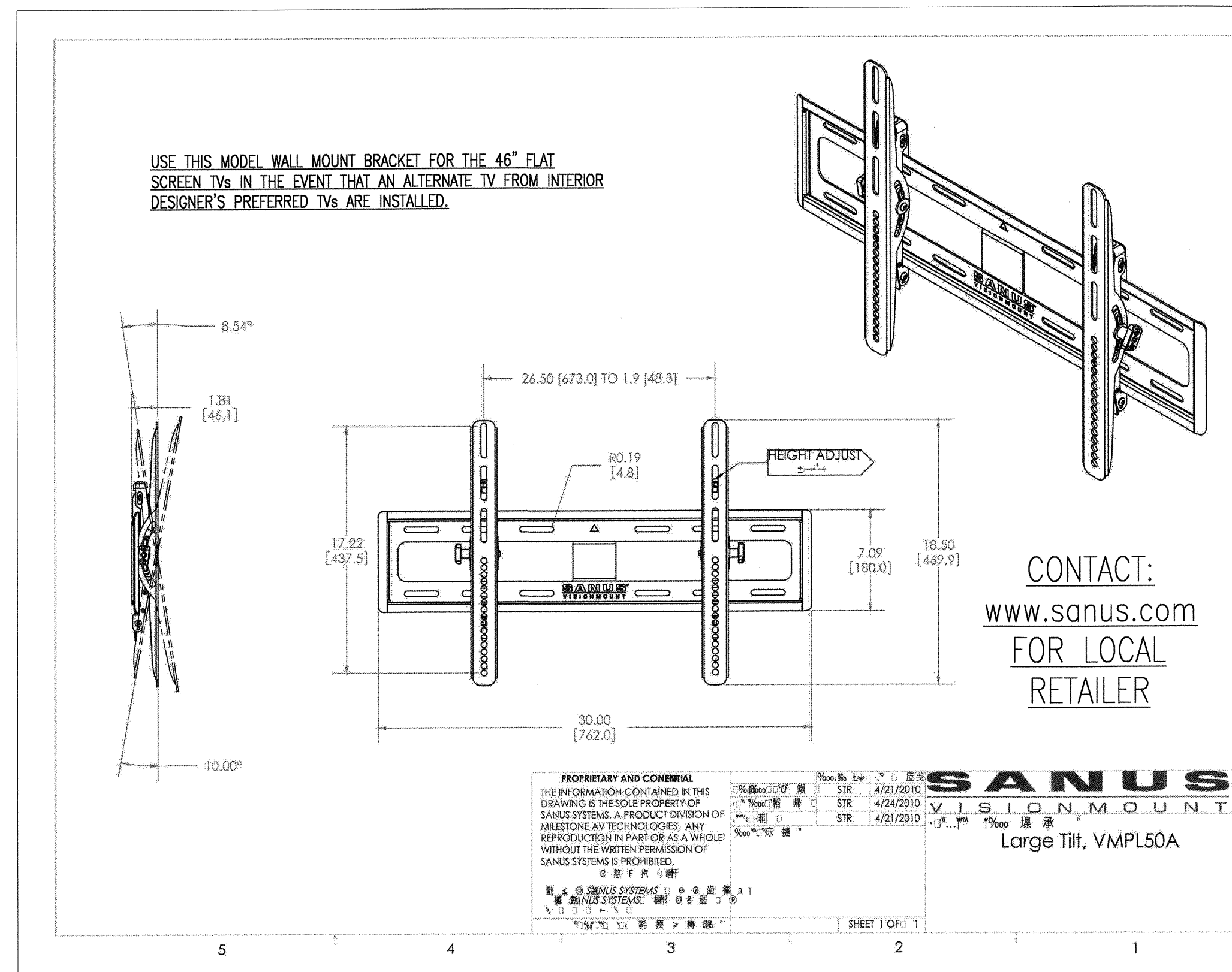
SHEET NO.

ID.4.3

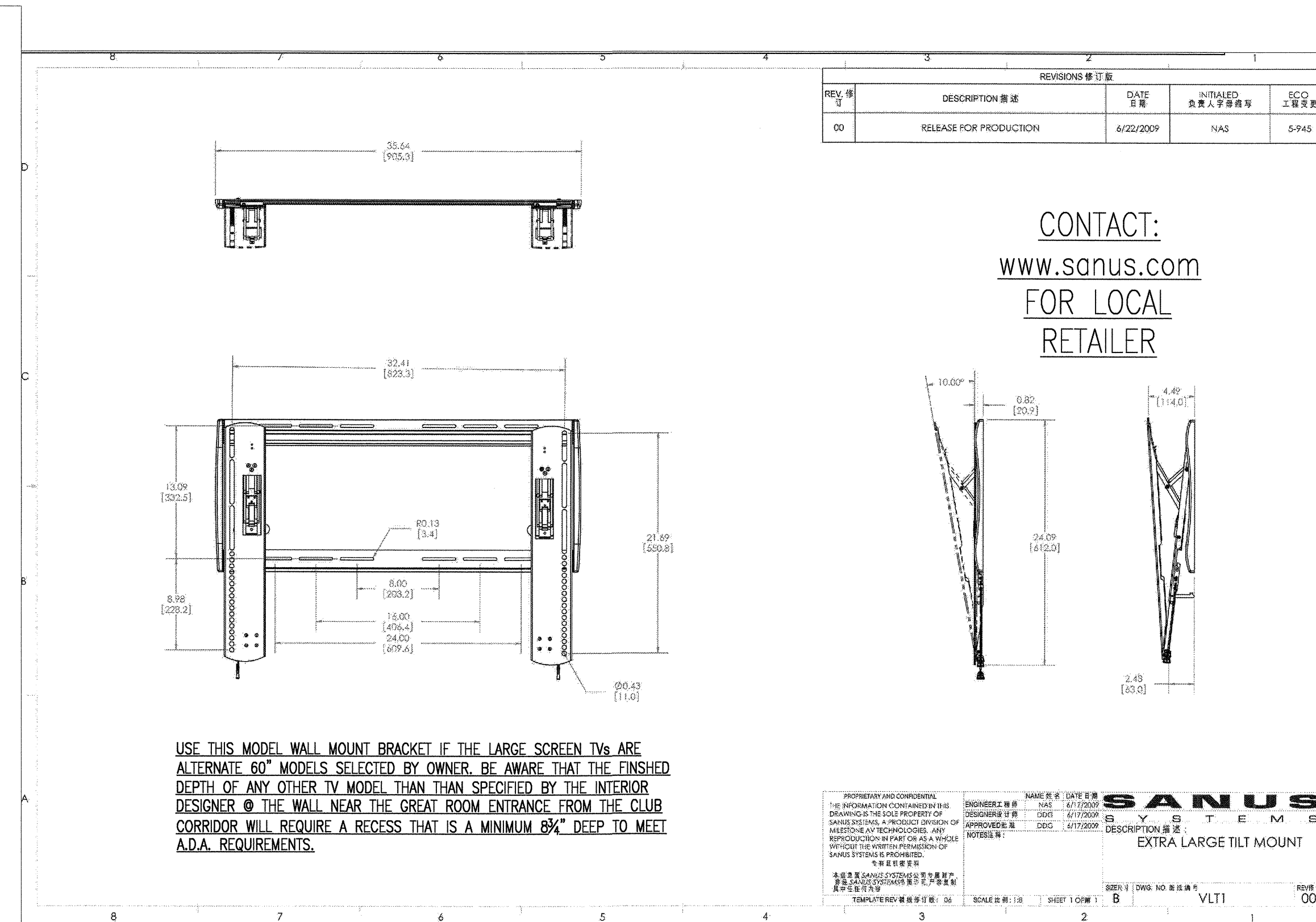
ISSUED FOR CONSTRUCTION
APRIL 23, 2012

KELLER SPRINGS CLUBHOUSE
ADDISON, TX

INTERIOR DESIGNER'S PREFERRED
FLAT SCREEN TV MODELS & MOUNTING BRACKETS



CONTACT:
www.sanus.com
FOR LOCAL
RETAILER



CONTACT:
www.sanus.com
FOR LOCAL
RETAILER

USE THIS MODEL WALL MOUNT BRACKET IF THE LARGE SCREEN TV'S ARE ALTERNATE 60\"/>

CONTACT: www.sharpusa.com
FOR LOCAL AQUOS
RETAILER

INTERIOR DESIGNER'S FLAT SCREEN SELECTION FOR SMALL SCREENS
@ GAME ROOM
SHARP AQUOS LC-46LE830U

Basic Specifications	
Screen Size Class	46" Class (46" Diagonal)
Panel Type	X-Gen LCD Panel
10-bit LCD Panel	Yes
Pixel Resolution	Full 1920 x 1080 HD Resolution
Backlight System	Edge lit LED
Viewing Angles	176° H / 176° V
Audio System	10W + 10W + 15W (Subwoofer)
Tuning System	ATSC / QAM / NTSC
Dynamic Contrast Ratio	6,000,000:1
Aspect Ratio	16:9
Response Time	4ms
Features	
Connected TV Services	Yes
AQUOS® Series	Yes
Quattron™ quad pixel technology	Yes
AQUOS Advantage™ Support	Yes
Digital Still Picture Display	Yes
Terminals	
Inputs	
HDMI®	4
HD Component	1
Composite Video	1
Audio Inputs (L/R) RCA	X 2
RS-232C	1
PC	1 (15-pin D-sub)
Ethernet Input	1
Power	
Power Consumption AC (watts)	180W
Power Source	120 V, 60 Hz
Weight & Dimensions	
Dimensions	
Dimensions (wxhxd) (inches)	42 13/64" x 26 7/64" x 15/8"
Weight	
Product Weight (lbs.)	41.9
Weight with Stand (lbs.)	50.7
Additional Specifications	
Limited Warranty	1 year parts and labor from date of purchase
Included Accessories	
Remote Control	Yes

INTERIOR DESIGNER'S FLAT SCREEN SELECTION FOR LARGE SCREEN
TV's @ KITCHEN, WALL NEAR CLUB ENTRANCE FROM CORRIDOR &
IN GREAT ROOM
(OPTIONAL 3D VERSION FOR GREAT ROOM IS #LC-60LE85U)

Item	Model: LC-60LE83U
LCD panel	Size: 60" Class (60" Diagonal) Resolution: 2,073,600 pixels (1,920 x 1,080)
TV-standard (CCIR)	American TV Standard ATSC/NTSC System
TV Function	VHF/UHF: VHF 2-13ch, UHF 14-69ch CATV: 1-135ch (non-scrambled channel only)
Receiving Channel	Digital Terrestrial Broadcast (DVB-T): 2-69ch Digital cable (QAM): 1-135ch (non-scrambled channel only)
Audio multiplex	BTSC System
Audio out	10 W g 2
Back panel vertical inputs	HDMI 1: HDMI in with HDCP, Audio in (Ø 3.5 mm stereo jack) HDMI 2: HDMI in with HDCP HDMI 3: HDMI in with HDCP HDMI 4: HDMI in with HDCP AUDIO OUT: Audio out (Ø 3.5 mm stereo jack)
Back panel surface inputs	USB 1: Photo/Music/Video mode, Software update COMPONENT: COMPONENT in VIDEO 1: AV in VIDEO 2: AV in PC IN: ANALOG RGB (PC) in (15-pin mini D-sub female connector), Audio in (Ø 3.5 mm stereo jack) RS-232C: 9-pin D-sub male connector ANT/CABLE: 75 Ω Unbalance, F Type 1 for Analog (VHF/UHF/CATV) and Digital (AIR/CABLE)
Back panel horizontal inputs	AUDIO IN: Audio in (Ø 3.5 mm stereo jack) DIGITAL AUDIO OUTPUT: Optical Digital audio output 1 (PCM/Dolby Digital) ETHERNET: Network connector USB 2: Photo/Music/Video mode, Software update
OSD language	English/French/Spanish
Power Requirement	AC 120 V, 60 Hz
Power Consumption	207 W (0.1 W Standby with AC 120 V)
Weight	TV + stand: 72.8 lbs./33.0 kg TV only: 66.2 lbs./30.0 kg
Dimension¹⁾ (W x H x D)	TV + stand: 54 7/16" g 34 1/4" g 13 1/8" inch TV only: 54 7/16" g 33 g 2 7/16" inch
Operating temperature	ø 32°F to ø 104°F (0°C to ø 40°C)

INTERIOR DESIGNER'S FLAT SCREEN TV SELECTION NOTES

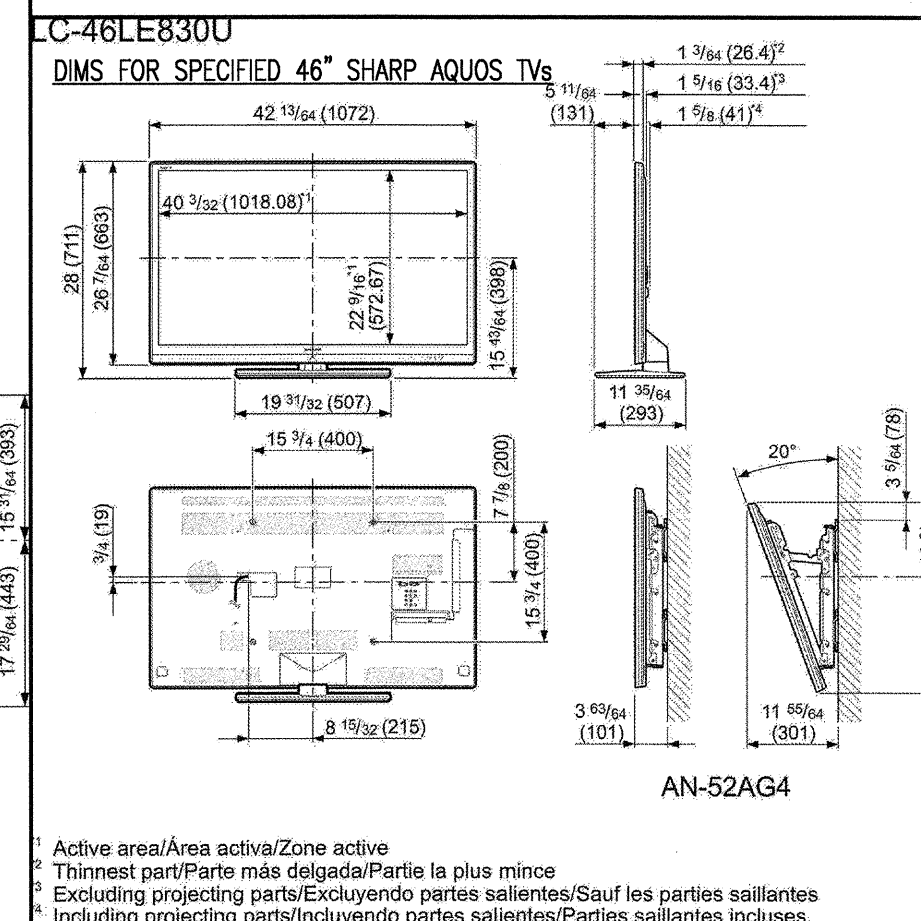
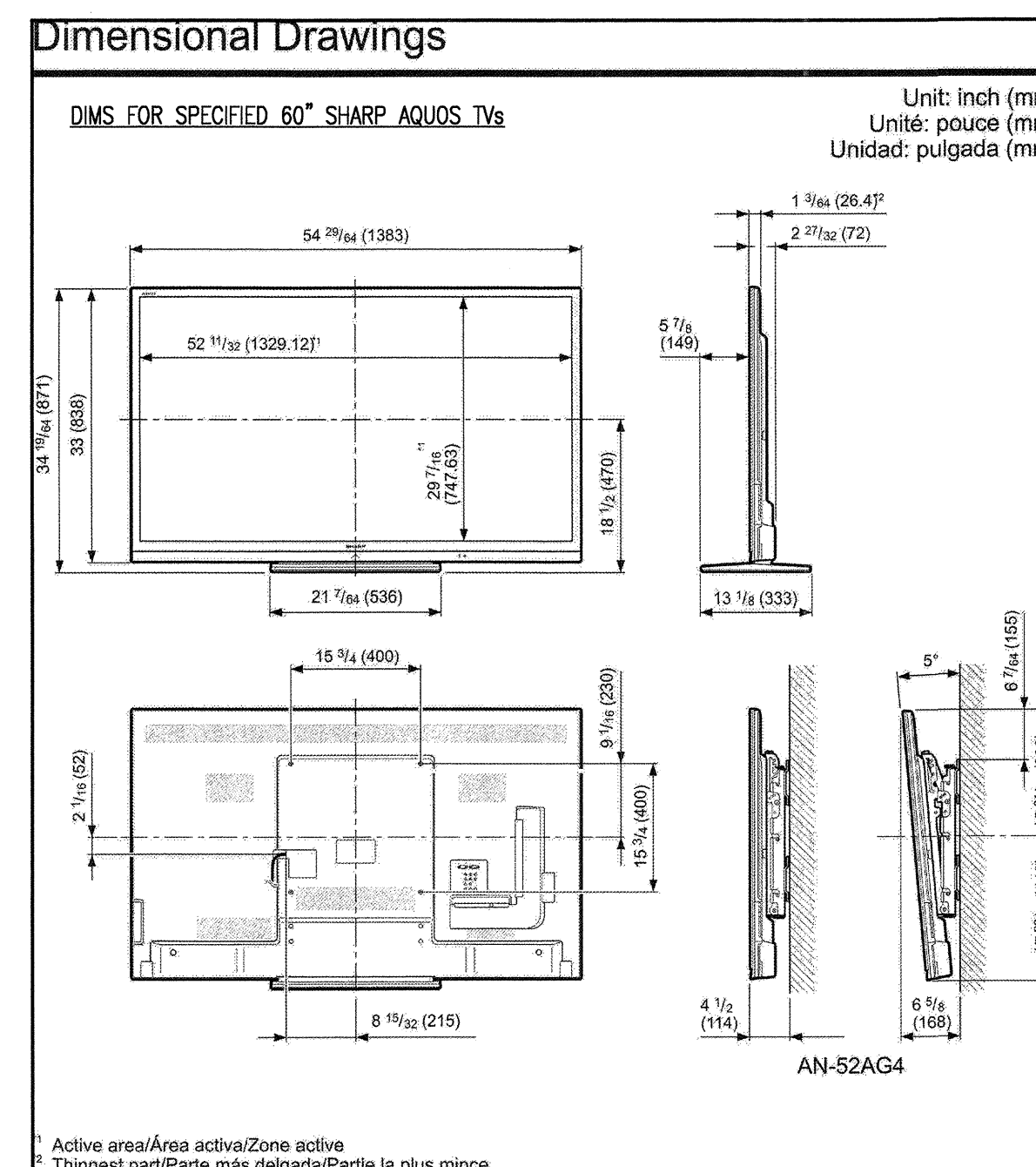
TV SELECTIONS WERE BASED UPON THE FOLLOWING (IN ORDER OF IMPORTANCE):

1. DEPTH OF TV CHASSIS TO CONFORM WITH ADA PROTRUDING ELEMENT GUIDELINES.
2. HIGH DEFINITION
3. 3D OPTION (LARGE TV @ GREAT ROOM TV CABINET ONLY)
4. INCLUDED WIRELESS LAN ADAPTER
5. MULTI-MEDIA FRIENDLY—CABLE READY, DVD/BLU-RAY RECORDERS/PLAYERS, USB DEVICES, SOUND SYSTEMS, MEMORY CARDS AND CAMCORDERS
6. SLIM CLEAN LINES OF TV CHASSIS FRAME

SIZES SHOWN HERE ARE RECOMMENDED BASED UPON THE AMOUNT OF SPACE THE FINISHED INSTALLATION WILL COVER. ANYTHING SMALLER OR LARGER WILL NOT BE BALANCED WITH THE SURROUNDING INTERIOR DESIGN.

FINAL TV SELECTIONS TO BE DETERMINED BY OWNER

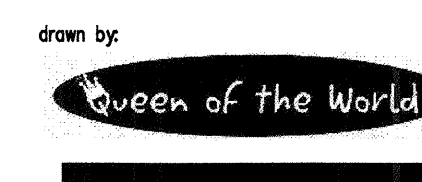
1 FLAT SCREEN TV INFORMATION
NO SCALE



© 2012 M. FORD & ASSOCIATES INC.
THIS DOCUMENT IS PUBLISHED AS AN INSTRUMENT OF SERVICE AND IS GIVEN IN CONFIDENCE. IT REMAINS THE PROPERTY OF M. FORD & ASSOCIATES INC. THIS DOCUMENT, AND THE INFORMATION CONTAINED WITHIN, MAY NOT BE DUPLICATED OR DISCLOSED WITHOUT WRITTEN CONSENT OF M. FORD & ASSOCIATES, INC. HOUSTON, TEXAS



m. ford & associates
interior design
99 deterring street
suite 165
houston, tx 77007
phone 713-630-0800
fax 713-630-0814
mford@mfordassociates.com
www.mfordassociates.com



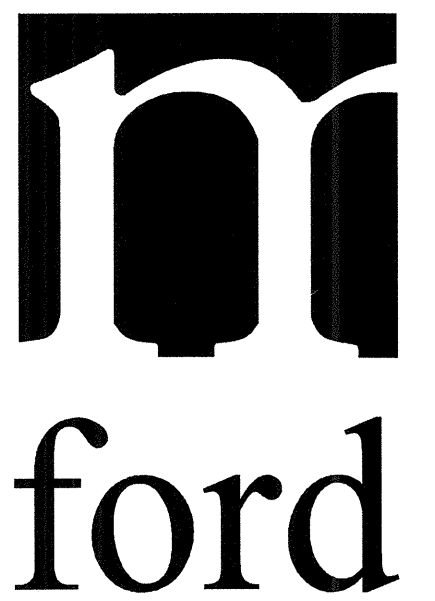
SHEET NO.

ID.4.3

ISSUED FOR CONSTRUCTION
APRIL 23, 2012

EQUIPMENT SPECIFICATIONS, SHEET 1

© 2012 M. FORD & ASSOCIATES, INC.
THIS DOCUMENT IS PUBLISHED AS AN INSTRUMENT OF SERVICE AND IS GIVEN IN CONFIDENCE. IT REMAINS THE PROPERTY OF M. FORD & ASSOCIATES, INC. NO PART OF THIS DOCUMENT AND THE INFORMATION CONTAINED THEREIN MAY NOT BE REPRODUCED OR DISCLOSED WITHOUT WRITTEN CONSENT OF M. FORD & ASSOCIATES, INC. HOUSTON, TEXAS



m. ford & associates
interior design
99 detersing street
suite 165
houston, tx 77007
phone 713-630-0800
fax 713-630-0814
mford@mfordassociates.com
www.mfordassociates.com



SHEET NO.

ID.4.4

Specifications:

Height	33.25 up to 34.5"
Width	23.75"
Depth	23.56"
Capacity	5.4 cu.ft.
Ext Depth with Handle	24.87"
Interior Height 1	27.79"
Interior Width 1	20.0"
Interior Depth 1	17.5"
Comp Step Height	7.0"
Comp Step Width	20.0"
Comp Step Depth	8.0"
Height Adjustable	True
Shipping Weight	140.0 lbs.
Amps	1.3
Energy Usage/Year	423.0 kWh/Year
UL Electrical Safety	ULC
Canadian Electrical Safety	ULC
Drawers	True
Drawer Quantity	3
Defrost Type	Automatic
Depth with door at 90°	42.5"
Thermostat Type	Dial
Fan Type	Interior and Exterior
Freon Type	R134a
Low Side PSI	70.0
High Side PSI	265.0
Level Legs Quantity	4
Freon Oz	1.8
Compressor Warranty	1 Year
Compressor Warranty	5 Years

REFRIGERATOR MODEL #SP6DSSTB
REMOVE FEET FOR INSTALLATION

3 UNDERCOUNTER DRAWER REFRIGERATOR
NO SCALE

Specifications:

Height	32.0"
Width	23.75"
Depth	23.25"
Capacity	5.5 cu.ft.
Ext Depth with Handle	25.25"
Interior Height 1	27.75"
Interior Width 1	20.0"
Interior Depth 1	17.5"
Comp Step Height	7.0"
Comp Step Width	20.0"
Comp Step Depth	8.0"
Shipping Weight	143.0 lbs.
Amps	1.3
UL Electrical Safety	ULC
Canadian Electrical Safety	ULC
Voltage/Frequency	115 V AC/60 Hz
Reversible	Factory Reversible
Door Swing	RHD
Shelf Quantity	3
Adjustable Shelf	True
Shelf Type	Chrome
Defrost Type	Automatic
Depth with door at 90°	42.0"
Height to Hinge Cap	32.25"
Condenser Location	Rear of Unit
Light	None
Thermostat Type	Dial
Fan Type	Exterior
Level Legs Quantity	4
Freon Type	R134a
Low Side PSI	70.0
High Side PSI	265.0
Freon Oz	1.8
Compressor Warranty	5 Years
Compressor Warranty	1 Year
Sanitization	ETL-S

REFRIGERATOR MODEL #FF7LCSSADA
TWO REQUIRED

2 UNDERCOUNTER REFRIGERATOR
NO SCALE

KitchenAid® Food Waste Disposer

KCDB250G	KCDS100T
KCDI075V	KBDS100T
KCDS075T	

Electrical: This disposer is intended to be direct-wired to the electrical supply. If junction box is used, connect the junction box to the switch on a separate 15- or 20-amp 115 Volt circuit with the appropriate cable. (Use 14 gauge wire with 15-amp circuit, and 12 gauge wire with 20-amp circuit.) This disposer requires a switch marked "Off" position (wired to disconnect all ungrounded supply conductors) installed within sight of the disposer sink opening. (1 hp minimum rating.)

	KCDB250G	KBDS100T	KBDS100T	KBDS100T	KBDS100T
A	6 9/16"	8 1/2"	9"	9"	9"
B	11 1/4"	12 1/4"	12 1/4"	12 1/4"	12 1/4"
C	5 5/8"	5 9/16"	5 9/16"	5 9/16"	5 9/16"
D	4"	4"	4"	4"	4"
E	6"	6 1/4"	6 1/4"	6 1/4"	6 1/4"
F	Dishwasher Drain Connection				

Installations on thicker sinks (such as solid surface, porcelain, or cast iron) may require the use of alternate parts. See instructions below for installation with various thicknesses:

FIGURE A: Thin Sink All Models (< 3/8")

For this sink insert backup gasket (D), backup angle (E1) and mounting ring (F). Held in place while inserting the snap ring.

C = Standard Sink Flange
G1 = 1 1/2" screws
G2 = 1 1/8" screws

Whirlpool Corporation policy includes a continuous commitment to improve our products. We reserve the right to change materials and specifications without notice.

Dimensions are for planning purposes only. For complete details, see Installation Instructions packed with product. Specifications subject to change without notice.

W10118955 Rev. A

5 GARBAGE DISPOSER
NO SCALE

Specifications:

Height	32.5"
Width	14.75"
Depth	22.5"
Ext Depth with Handle	25.0"
Interior Height 1	18.5"
Interior Width 1	12.0"
Interior Depth 1	10.0"
Shipping Weight	117.0 lbs.
UL Electrical Safety	UL
Amps	4.8
Voltage/Frequency	115 V AC/60 Hz
Reversible	Yes
Door Swing	LHD
Defrost Type	Automatic
Height to Hinge Cap	32.5"
Depth with door at 90°	37.0"
Condenser Location	Rear of Unit
Thermostat Type	Dial
Low Side PSI	120.0
Freon Type	R134a
High Side PSI	350.0
Freon Oz	6.35
Part/Labor Warranty	1 Year
Compressor Warranty	5 Years

ICE MAKER MODEL #RIM44ADA

4 UNDERCOUNTER ICE MACHINE
NO SCALE

PSB1001NSS
GE Profile Advantium® 120 Volt - 27" Wall Oven

Advantium wall oven/GE Profile cooking tower dimensions and cabinet installation information (in inches)

Note: Cabinets installed adjacent to wall ovens must have an adhesion spec of at least a 194°F temperature rating.

Note: 2" minimum between cutouts when installed above warming drawer or single wall oven.

Installation Information: Before installing, consult installation instructions packed with product for current dimensional data.

A-Allow 1" overlap of oven over top and bottom edges of cutout.
B-Allow 11/16"-3/4" for overlap of oven over side edges of cutout.

	Cabinet Width	W Width	H Height	D Depth including handle	X Cutout Width	Y Cutout Height	Z Cutout Depth minimum
PSB1001/127" Installation	27	26-3/4	19-1/32	21-1/2	25-1/4	17-1/2	23-1/2

2 x 4's or equivalent solid floor

21-5/8" over centerline of cabinet (Must support 130 lbs.)

3/8" MIB bet. oven cutouts recommended - 2" MIN. required

Construct Solid Bottom Min. 3/8" Plywood Support tied by 2x4's on 16" Runners - 4" off-out Sides (Must Support 150 lbs. for Advantium) (Must Support 120 lbs. for Wall Oven)

9-1/4" cut out height 28-1/2" cut out width 2" MIN bet. oven cutouts

1" Min. above track or adjust to oven installation height

GE logo and imagination at work

Specification Created 11/08 240444

1 UNDERCOUNTER CONVECTION MICROWAVE
NO SCALE

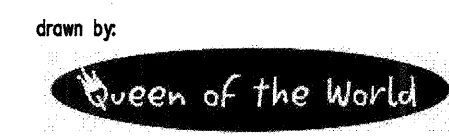
ISSUED FOR CONSTRUCTION
APRIL 23, 2012

EQUIPMENT SPECIFICATIONS, SHEET 1

© 2012 M. FORD & ASSOCIATES INC.
THIS DOCUMENT IS PUBLISHED AS AN INSTRUMENT OF SERVICE AND IS GIVEN IN CONFIDENCE. IT REMAINS THE PROPERTY OF M. FORD & ASSOCIATES, INC. THIS DOCUMENT, AND THE INFORMATION CONTAINED WITHIN, MAY NOT BE REPRODUCED OR DISCLOSED WITHOUT THE WRITTEN CONSENT OF M. FORD & ASSOCIATES, INC. HOUSTON, TEXAS



m. ford & associates
interior design
99 detersing street
suite 165
houston, tx 77007
phone 713-630-0800
fax 713-630-0814
mford@mfordassociates.com
www.mfordassociates.com



SHEET NO.

ID.4.4

Specifications:

Height	33.25 up to 34.5"
Width	23.75"
Depth	23.50"
Capacity	5.4 cu.ft.
Ext Depth with Handle	24.00"
Interior Height 1	22.75"
Interior Width 1	20.0"
Interior Depth 1	17.5"
Comp Step Height	7.0"
Comp Step Width	20.0"
Comp Step Depth	6.0"
Height Adjustable	Yes
Shipping Weight	140.0 lbs.
Amps	1.3
Energy Usage/Year	423.0 kWh/year
US Electrical Safety	UL
Canadian Electrical Safety	ULC
Drawers	True
Drawer Quantity	3
Defrost Type	Automatic
Depth with door at 90°	40.5"
Thermostat Type	Dial
Fan Type	Interior and Exterior
Frost Type	PSB
Low Side PSI	70.0
High Side PSI	285.0
Level Legs Quantity	4
Freon Oz	1.8
Compressor Warranty	1 Year
Compressor Warranty	5 Years

REFRIGERATOR MODEL #SP6DSSTB
REMOVE FEET FOR INSTALLATION

3 UNDERCOUNTER DRAWER REFRIGERATOR
NO SCALE

Specifications:

Height	32.0"
Width	23.75"
Depth	23.25"
Capacity	5.5 cu.ft.
Ext Depth with Handle	25.25"
Interior Height 1	22.75"
Interior Width 1	20.0"
Interior Depth 1	17.5"
Comp Step Height	7.0"
Comp Step Width	20.0"
Comp Step Depth	6.0"
Shipping Weight	143.0 lbs.
Amps	1.3
US Electrical Safety	UL
Canadian Electrical Safety	ULC
Voltage/Frequency	115 VAC/60 Hz
Reversible	Factory Reversible
Door Swing	RHD
Shell Quantity	3
Adjustable Level	Yes
Shell Type	Glass
Defrost Type	Automatic
Depth with door at 90°	45.5"
Height to Hinge Cap	32.25"
Condenser Location	Rear of Unit
Light	Yes
Thermostat Type	Dial
Fan Type	Exterior
Level Legs Quantity	4
Frost Type	PSB
Low Side PSI	70.0
High Side PSI	285.0
Freon Oz	1.8
Compressor Warranty	5 Years
Part/Labor Warranty	1 Year
Sealant	RTV-S

REFRIGERATOR MODEL #FF7LSSADA
TWO REQUIRED

2 UNDERCOUNTER REFRIGERATOR
NO SCALE

KitchenAid® Food Waste Disposer

KCDB250G KCDS100T
KCDO75V KBD8100T
KCDS075T

Electrical: This disposer is intended to be direct-wired to the electrical supply. If junction box is used, connect the junction box to the switch on a separate 15- or 20-amp 115 Volt circuit with the appropriate cable. (Use 14 gauge wire with 15-amp circuit, and 12 gauge wire with 20-amp circuit.) This disposer requires a switch marked "OFF" position (wired to disconnect all ungrounded supply conductors) installed within sight of the disposer sink opening. (1 hp minimum rating.)

	KCDB250G	KBD8100T	KBD8100T	KBD8100T	KBD8100T
A	6 7/8" (17.5 cm)	8 1/2" (21.5 cm)	9" (22.9 cm)	9" (22.9 cm)	9" (22.9 cm)
B	11 1/4" (28.9 cm)	12 1/4" (31.1 cm)	12 1/4" (31.1 cm)	12 1/4" (31.1 cm)	12 1/4" (31.1 cm)
C	5 1/2" (14.0 cm)	6 1/4" (16.3 cm)	5 1/2" (14.0 cm)	5 1/2" (14.0 cm)	5 1/2" (14.0 cm)
D	4" (10.2 cm)	4" (10.2 cm)	4" (10.2 cm)	4" (10.2 cm)	4" (10.2 cm)
E	6" (15.2 cm)	6 1/8" (16.0 cm)	6 1/8" (16.0 cm)	6 1/8" (16.0 cm)	6 1/8" (16.0 cm)
F					

Dishwasher Drain Connection

Installations on thicker sinks (such as solid surface, porcelain, or cast iron) may require the use of alternate parts. See instructions below for installation with various thicknesses:

FIGURE A: Thin Sink All Models (< 3/8")

For thin sinks insert bar gasket (D), backup angle (E) and mounting ring (F). Hold in place while inserting the snap ring.

C = Standard Sink Flange
G1 = 1 1/2" screws
G2 = 1 1/8" screws

Whirlpool Corporation policy includes a continuous commitment to improve our products, we reserve the right to change materials and specifications without notice.

Dimensions are for planning purposes only. For complete details, see installation instructions packed with product. Specifications subject to change without notice. W1011805 Rev. A

5 GARBAGE DISPOSER
NO SCALE

Specifications:

Height	32.5"
Width	14.75"
Depth	23.5"
Ext Depth with Handle	25.5"
Interior Height 1	18.5"
Interior Width 1	12.0"
Interior Depth 1	16.0"
Shipping Weight	117.0 lbs.
US Electrical Safety	UL
Amps	4.5
Voltage/Frequency	115 VAC/60 Hz
Reversible	Yes
Door Swing	LHD
Defrost Type	Automatic
Height to Hinge Cap	32.5"
Depth with door at 90°	37.0"
Condenser Location	Rear of Unit
Thermostat Type	Dial
Low Side PSI	350.0
Frost Type	PSB
High Side PSI	350.0
Freon Oz	0.34
Part/Labor Warranty	1 Year
Compressor Warranty	5 Years

ICE MAKER MODEL #BIM44ADA

WATER INLET 3/8" DIA. WITH 10'-0" LG. HOSE INCLUDED

3/4" DIA. DRAIN WITH 10'-0" LG. HOSE INCLUDED

4 UNDERCOUNTER ICE MACHINE
NO SCALE

PSB1001NSS
GE Profile Advantium® 120 Volt - 27" Wall Oven

Advantium wall oven/GE Profile cooking tower dimensions and cabinet installation information (in inches)

Note: Cabinets installed adjacent to wall ovens must have an adhesion spec of at least a 194F temperature rating.

Note: 2" minimum between cutouts when installed above warming drawer or single wall oven.

Installation Information: Before installing, consult installation instructions packed with product for current dimensional data.

A-Allow 1" overlap of oven over top and bottom edges of cutout.
B-Allow 1/16"-3/4" for overlap of oven over side edges of cutout.

	Cabinet Width	W	H	D	X	Y	Z
PSB1001/1-27" Installation	27	26-3/4	19-1/32	21-1/2	25-1/4	17-1/2	23-1/2

2 x 4's or equivalent solid floor

21-5/8" over centerline of cabinet (Must support 130 lbs.)

UL Listed by Underwriters Laboratories

Specification Created 11/08 240444

1 UNDERCOUNTER CONVECTION MICROWAVE
NO SCALE

For answers to your Monogram, GE Profile® or GE® appliance questions, visit our website at ge.com or call GE Answer Center® service, 800.626.2000.

imagination at work

ISSUED FOR CONSTRUCTION
APRIL 23, 2012

KELLER SPRINGS CLUBHOUSE
ADDISON, TX

Specifications:

Height	32.0"
Width	23.75"
Depth	23.5"
Capacity	5.0 cu.ft.
Ext Depth with Handle	24.75"
Interior Height 1	26.0"
Interior Width 1	21.0"
Interior Depth 1	18.0"
Comp Step Height	5.8"
Comp Step Width	21.0"
Comp Step Depth	5.0"
Shipping Weight	109.0 lbs.
Voltage/Frequency	115 V AC/60 Hz
US Electrical Safety	ULC
Canadian Electrical Safety	ULC
Amps	3.0
Door Swing	RHD
Shelf Quantity	3
Adjustable Shelf	True
Defrost Type	Frost-Free
Depth, with door at 90°	45.25"
Height to Hinge Cap	32.25"
Condenser Location	Rear of Unit
Thermometer Type	Dial
Light	True
Fan Type	Exterior
Low Side PSI	88.0
High Side PSI	235.0
Freon Type	R134a
Level Leg Quantity	4
Freon Oz	2.8
Compressor Warranty	5 Years
Parts/Labor Warranty	1 Year
Sanitation	UL-S

5'-0" L.G. ELEC. CORD

TOP VIEW

FRONT VIEW

ELEC. CORD

LOCK

1 UNDERCOUNTER FREEZER
NO SCALE

FREEZER MODEL#SCFF55ADA

KitchenAid® Drawer Dishwasher

PRODUCT MODEL NUMBERS
KUDD03ST

OVERALL DIMENSIONS

24" (61 cm)

23 1/2" (60 cm)

17" (43.2 cm)

CUTOUT DIMENSIONS

23 1/2" (60.7 cm)

17" (43 cm) Min.
18 1/2" (47 cm) Max.

PREFERRED UTILITY AREA

1" (2.5 cm)

1/2" (1.3 cm)

2 UNDERCOUNTER DRAWER DISHWASHER
NO SCALE

Electrical: 120 volt, 60 Hz, AC only, 15- or 20-amp, fused electrical supply. Use copper wire only. A time-delay fuse or circuit breaker and separate circuit is recommended.

Water: A hot water line with 20-120 psi (138-862 kPa) water pressure. Water temperature must be 120°F (49°C) at dishwasher. Use 3/8" O.D. copper tubing with compression fitting or flexible stainless steel braided fill line (1/2" minimum plastic tubing not recommended).

Drain: Use the new drain hose supplied with your dishwasher. If this is not suitable, use a new drain hose with a maximum length of 12 feet (3.7 m) that meets all current AHAM/AIAPMO test standards, is resistant to heat and detergent, and fits the 1" (2.5 cm) drain connector of the dishwasher. Must have a high drain loop 20" (50.8 cm) above the subfloor or floor. Connect drain hose to waste tee or disposer inlet above drain trap in house plumbing and 20" (50.8 cm) minimum above the floor. An air gap must be used if the drain hose is connected to house plumbing lower than 20" (50.8 cm) above subfloor or floor. Use 1/2" (1.3 cm) minimum I.D. drain line fittings.

Because Whirlpool Corporation policy includes a continuous commitment to improve dimensions are for planning purposes only. For complete details, see InstallationRef. W10155577A our products, we reserve the right to change materials and specifications without notice. Specifications subject to change without notice. 03-20-08

ERGOTRON Universal CPU Holder

ASSEMBLY INSTRUCTIONS
Instrucciones de Instalación
Notice d'assemblage
Montageanleitung
Installatie Instructies
Manuali d'istruzioni
설치방법
설치 안내

www.ergotron.com
USA 1-800-888-6658
Europe +31 (0)33-45 45 600
China 86-769-86018920

Weight Capacity: 50 lbs. (22.68 kg)
Maximum Size: 18" x 8.5" (457 x 216 mm)
Minimum Size: 12" x 3" (305 x 76 mm)
Capacidad de soporte de peso: 22,68 kg
Tamaño máximo: 457 x 216 mm
Tamaño mínimo: 305 x 76 mm
Dimensiones máximas: 18" x 8,5" (457 x 216 mm)
Dimensiones mínimas: 12" x 3" (305 x 76 mm)
Capacité de poids: 22,68 kg
Taille maximum: 457 x 216 mm (18" x 8,5")
Taille minimum: 305 x 76 mm (12" x 3")
Maximalgröße: 457 x 216 mm (18" x 8,5")
Minimalgröße: 305 x 76 mm (12" x 3")
Dimensioni massime: 457 x 216 mm
Dimensioni minime: 305 x 76 mm
Tragkraft: 50 lbs. (22,68 kg)
Maximalgröße: 457 x 216 mm (18" x 8,5")
Minimalgröße: 305 x 76 mm (12" x 3")
Gewichtskapazität: 50 kg (22,68 kg)
Maximale Abmessung: 18" x 8,5" (457 x 216 mm)
Minimale Abmessung: 12" x 3" (305 x 76 mm)
荷重: 50 lbs. (22,68 kg)
最大サイズ: 18" x 8.5" (457 x 216 mm)
最小サイズ: 12" x 3" (305 x 76 mm)
承重: 50 lbs. (22,68 kg)
最大尺寸: 18" x 8.5" (457 x 216 mm)
最小尺寸: 12" x 3" (305 x 76 mm)
荷重: 22,68kg(50斤)
 최대 크기: 457 x 216 mm(18" x 8.5")
 최소 크기: 305 x 76 mm(12" x 3")

OPTIONAL LOCKING FEATURE AVAILABLE
(IF LARGER MODEL IS SELECTED
ADA KNEESPACE MAY BE COMPROMISED)

3 BUSINESS CENTER UNDERCOUNTER CPU HOLDER
NO SCALE

Versa Tables.com
American Made & Guaranteed for Life

Deluxe Keyboard Arm - DKA Specification Sheet

MODEL #	WIDTH	DEPTH	HEIGHT	WEIGHT
DKA-2010	20"	10"		12 lbs.
DKA-2410	24"	10"		13 lbs.
DKA-2810	28"	10"		14 lbs.

KEY FEATURES

- High-Density Fiberboard Surface
- 14 Gauge Recycled Steel Frame
- High-Pressure WilsonArt Laminate
- Scratch / Dirt Resistant Powder Coat
- Premium T-Molding
- American Made
- Lifetime Warranty

CERTIFICATIONS

- ANSI/BIFMA Certified
- LEED Credit Potential
- Sustainable Furnishings Council

SURFACE COLOR
Black Matrix

FRAME COLOR
Black River

Adjustable .25" to 4.5"

15°-15°

Adjustable

Fully Extended 16"

6"

9"

Rotational

Revised: 03-15-12

VersaTables.com
14105 Avalon Blvd.
Los Angeles, CA 90061

Proudly Made in the USA

Sales: 800-416-3961
Call: 310-353-7100
Fax: 310-353-7109

Customer Service: 888-259-1525
Call: 424-244-2166

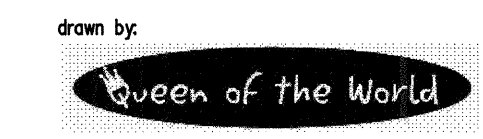
4 BUSINESS CENTER UNDERCOUNTER KEYBOARD TRAY
NO SCALE

EQUIPMENT SPECIFICATIONS, SHEET 2

© 2012 M. FORD & ASSOCIATES INC.
THIS DOCUMENT IS PUBLISHED AS AN INSTRUMENT OF SERVICE AND IS GIVEN IN CONFIDENCE. IT REMAINS THE PROPERTY OF M. FORD & ASSOCIATES, INC. THIS DOCUMENT AND THE INFORMATION CONTAINED WITHIN MAY NOT BE DUPLICATED OR DISCLOSED WITHOUT WRITTEN CONSENT OF M. FORD & ASSOCIATES, INC. HOUSTON, TEXAS



m. ford & associates
interior design
99 detersing street
suite 165
houston, tx 77007
phone 713-630-0800
fax 713-630-0814
mford@mfordassociates.com
www.mfordassociates.com



SHEET NO.

ID.4.5

ISSUED FOR CONSTRUCTION
APRIL 23, 2012

KELLER SPRINGS
CLUBHOUSE
ADDISON, TX

Specifications:

Height	32.0"
Width	23.75"
Depth	23.5"
Capacity	5.0 cu ft
Cut Depth with Handle	24.75"
Interior Height 1	26.0"
Interior Width 1	21.0"
Interior Depth 1	15.0"
Comp Step Height	5.5"
Comp Step Width	21.5"
Comp Step Depth	5.5"
Shipping Weight	109.0 lbs
Voltage/Frequency	115 V AC/60 Hz
US Electrical Safety	UL
Canadian Electrical Safety	ULC
Weight	3.0"
Door Swing	RHD
Shelf Quantity	3
Adjustable Shelf	True
Defrost Type	Frost-Free
Depth with door at 90°	48.00"
Height to Hinge Cap	32.25"
Condenser Location	Rear of Unit
Thermostat Type	On/Off
Light	True
Panel Type	Exterior
Low Side PSI	65.0
High Side PSI	235.0
Freon Type	R134a
Level Legs Quantity	4
Freon Oz	2.0
Compressor Warranty	5 Years
Part/Labor Warranty	1 Year
Sanitation	UL-S

5'-0" LG. ELEC. CORD

TOP VIEW

FRONT VIEW

ELEC. CORD

LOCK

FREEZER MODEL #SCFF55ADA

1 UNDERCOUNTER FREEZER
NO SCALE

KitchenAid® Drawer Dishwasher

PRODUCT MODEL NUMBERS
KUDD03ST

OVERALL DIMENSIONS

Electrical: 120 volt, 60 Hz, AC only, 15- or 20-amp, fused electrical supply. Use copper wire only. A time-delay fuse or circuit breaker and separate circuit is recommended.

Water: A hot water line with 20-120 psi (138-862 kPa) water pressure. Water temperature must be 120°F (49°C) at dishwasher. Use 3/8" O.D. copper tubing with compression fitting or flexible stainless steel braided fill line (1/2" minimum plastic tubing not recommended).

Drain: Use the new drain hose supplied with your dishwasher. If this is not suitable, use a new drain hose with a maximum length of 12 feet (3.7 m) that meets all current AHAM/APMO test standards, is resistant to heat and detergent, and fits the 1" (2.5 cm) drain connector of the dishwasher. Must have a high drain loop 20" (50.8 cm) above the subfloor or floor. Connect drain hose to waste tee or disposer inlet above drain trap in house plumbing and 20" (50.8 cm) minimum above the floor. An air gap must be used if the drain hose is connected to house plumbing lower than 20" (50.8 cm) above subfloor or floor. Use 1/2" (1.3 cm) minimum I.D. drain line fittings.

CUTOUT DIMENSIONS

PREFERRED UTILITY AREA

2 UNDERCOUNTER DRAWER DISHWASHER
NO SCALE

Because Whirlpool Corporation policy includes a continuous commitment to improve dimensions are for planning purposes only. For complete details, see InstallationRef. W10155577A our products, we reserve the right to change materials and specifications without notice. Specifications subject to change without notice. 03-20-08

ERGOTRON® Universal CPU Holder

ASSEMBLY INSTRUCTIONS
Instrucciones de instalación
Notice d'assemblage
Montageanleitungen
Ispiallative istruzioni
Manuali d'istruzione
조립설명서
설치 안내

www.ergotron.com
USA 1-800-888-8458
Europe +31 (0)33-45 45 600
China 86-769-86018920

Weight Capacity: 50 lbs (22.68 kg)
Maximum Size: 18" x 8.5" (457 x 216 mm)
Minimum Size: 12" x 3" (305 x 76 mm)
Capacidad de soporte de peso: 22.68 kg
Tamaño máximo: 457 x 216 mm
Dimensiones mínimas: 305 x 76 mm
Capacité de poids: 22.68 kg
Taille maximum: 457 x 216 mm
Taille minimum: 305 x 76 mm
Tragkraft: 50 lbs (22.68 kg)
Maximalgröße: 457 x 216 mm (18" x 8.5")
Minimalgröße: 305 x 76 mm (12" x 3")
Gewichtskapazität: 22.68 kg
Maximale Abmessung: 457 x 216 mm
Minimale Abmessung: 305 x 76 mm
Capacità di peso: 22.7 kg
Dimensioni maxime: 457 x 216 mm
Dimensioni minime: 305 x 76 mm
許容重量: 50 lbs (22.68 kg)
最大サイズ: 18" x 8.5" (457 x 216 mm)
最小サイズ: 12" x 3" (305 x 76 mm)
承重: 50 lbs (22.68 kg)
最大尺寸: 18" x 8.5" (457 x 216 mm)
最小尺寸: 12" x 3" (305 x 76 mm)
荷重容量: 22.68kg(50磅)
 최대 크기: 457 x 216 mm(18" x 8.5")
 최소 크기: 305 x 76 mm(12" x 3")

OPTIONAL LOCKING FEATURE AVAILABLE
(IF LARGER MODEL IS SELECTED)
ADA KNEESPACE MAY BE COMPROMISED

3 BUSINESS CENTER UNDERCOUNTER CPU HOLDER
NO SCALE

VersaTables.com
American Made & Guaranteed for Life

Deluxe Keyboard Arm - DKA Specification Sheet

KEY FEATURES

- High-Density Fiberboard Surface
- 14 Gauge Recycled Steel Frame
- High-Pressure WilsonArt Laminate
- Scratch / Dirt Resistant Powder Coat
- Premium T-Molding
- American Made
- Lifetime Warranty

CERTIFICATIONS

- ANSI/BIFMA Certified
- LEED Credit Potential
- Sustainable Furnishings Council

MODEL #	WIDTH	DEPTH	HEIGHT	WEIGHT
DKA-2010	20"	10"	10"	12 lbs.
DKA-2410	24"	10"	10"	13 lbs.
DKA-2810	28"	10"	10"	14 lbs.

SURFACE COLOR
Black Matrix

FRAME COLOR
Black River

Adjustable .25" to 4.5"

Adjustable +15° -15°

Fully Extended 16"

Rotational

4 BUSINESS CENTER UNDERCOUNTER KEYBOARD TRAY
NO SCALE

VersaTables.com
14105 Avalon Blvd.
Los Angeles, CA 90061

Proutly Made in the USA

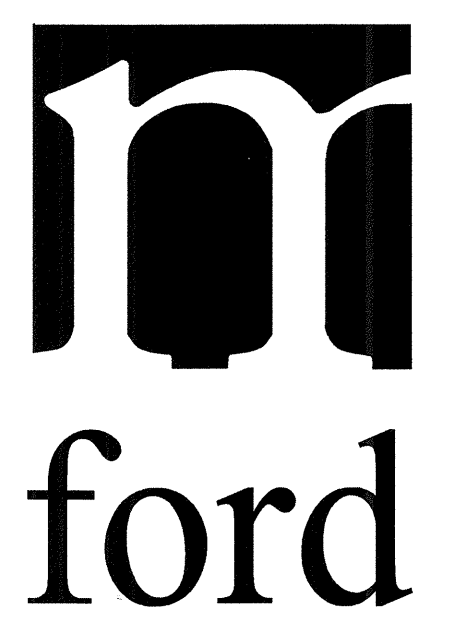
Sales: 800-416-3961
Call: 888-259-1526
Call: 310-353-7100
Fax: 310-353-7109

Customer Service
Call: 888-259-1526
Call: 424-244-2160

Revised: 03-15-12

EQUIPMENT SPECIFICATIONS, SHEET 2

© 2012 M. FORD & ASSOCIATES INC.
THIS DOCUMENT IS PUBLISHED AS AN INSTRUMENT OF SERVICE AND IS GIVEN IN CONFIDENCE. IT REMAINS THE PROPERTY OF M. FORD & ASSOCIATES, INC. THIS DOCUMENT, AND THE INFORMATION CONTAINED WITHIN, MAY NOT BE DUPLICATED OR DISCLOSED WITHOUT THE WRITTEN CONSENT OF M. FORD & ASSOCIATES, INC. HOUSTON, TEXAS



m. ford & associates
interior design
99 deterring street
suite 165
houston, tx 77007
phone 713-630-0800
fax 713-630-0814
mford@mfordassociates.com
www.mfordassociates.com

drawn by: Queen of the World

SHEET NO.

ID.4.5

ASI AMERICAN SPECIALTIES, INC.
441 Saw Mill River Road, Yonkers, NY 10701 (914) 476-9000
www.americanspecialties.com

MODEL No: 6467
ISSUED: 1-87
REVISED: 5-07

RECESSED PAPER TOWEL DISPENSER AND WASTE RECEPTACLE

SPECIFICATION
Recessed Towel Dispenser and Waste Receptacle shall hold and dispense 800 standard multi-fold or 600 standard C-fold paper towels, and shall have a waste capacity of 5 gallons (18.9 liters). Cabinet, door, dispenser and waste receptacle shall be fabricated from type 304 stainless steel alloy 18-8. All exposed surfaces shall have a N4 satin finish and shall be protected during shipment by PVC film easily removable after installation. Cabinet shall be 20 gauge with a 1" (25.4) wide perimeter trim to lay flush against wall and shall have no exposed fastening devices or visible seams. Full-face door shall be 18 gauge, fabricated from one piece with no miters or seams on face and shall have 1/2" (13) square returns to the wall. Door shall be attached to cabinet body with a full length 3/16" diameter (Ø4.8) stainless steel multi-staked piano hinge and shall be held closed with two (2) tumblers keyed alike to other ASI washroom equipment. Towel dispensing slot shall have a fully deburred edge for snag free dispensing and user safety. Dispensing mechanism shall include an adapter that permits the use of multi-fold and C-fold towels. Waste receptacle shall have a rolled edge finger hole for easy servicing.

Recessed Paper Towel Dispenser and Waste Receptacle shall be Model N6467 as manufactured by American Specialties, Inc., 441 Saw Mill River Road, Yonkers, New York, 10701-4913

INSTALLATION
Install unit in wall recess with N10 self-tapping screws (by others) through concealed mounting holes provided. Note that top of rough wall opening (RWO) is 3/4" (19) below top of unit. For compliance with ADA Accessibility Guidelines, install unit so that centerline of towel dispenser slot is 48" (1219) maximum above finished floor (MAX AFF).

RWO required is 11-1/2" W x 53-1/2" H X 4" D minimum (292 x 1359 x 102)

OPERATION
Paper towels are manually withdrawn through dispensing slot. A towel adapter ensures that towels feed properly until depleted. Unit will continue to feed properly when reloaded with a partial load in place. Refill dispenser by unlocking door and replacing towels for an empty or partially empty unit. Dispenser supply is replenished and waste container is emptied manually on cycles determined by maintenance needs. Locking full-face door over compartments prevents unauthorized access or removal.

Accessory Specialties AMERICAN DISPENSER Desert Ray Products MITROUS

THIS MANUFACTURER RESERVES THE RIGHT TO MAKE CHANGES IN DESIGN OR DIMENSIONS WITHOUT FORMAL NOTICE

1 RECESSED PAPER TOWEL DISPENSER/WASTE RECEPTACLE
NO SCALE

ASI AMERICAN SPECIALTIES, INC.
441 Saw Mill River Road, Yonkers, NY 10701 (914) 476-9000
www.americanspecialties.com

MODEL No: 9477
ISSUED: 10-90
REVISED: 9-04

RECESS MOUNTED TOILET SEAT COVER DISPENSER

SPECIFICATION
Recess Mounted Toilet Seat Cover Dispenser shall hold and dispense 500 standard single or half-fold paper toilet seat covers contained in supply box. Cabinet and door shall be fabricated of alloy 18-8 stainless steel, type 304. Cabinet shall be 22 gauge, with a 1" (25mm) wide perimeter return to lay flat against wall. Full face door shall be 16 gauge and shall be free of miters, welding or open seams with 15/16" (24mm) square horizontal returns to wall and 3/4" rounded vertical edges. Door shall be attached to the edge of unit with a full length 3/16" (5mm) dia. stainless steel multi-staked piano hinge and shall be held closed with a rimless tumbler lock keyed alike to other ASI washroom equipment. Cover dispensing slot shall have a fully deburred flat edge for snag-free dispensing and user safety. Structural assembly of cabinet and door components shall be of welded construction and shall have no exposed fasteners or welded seams. All exposed surfaces shall have a N4 satin finish.

Recess Mounted Toilet Seat Cover Dispenser shall be Model N9477 as manufactured by American Specialties, Inc., 441 Saw Mill River Road, Yonkers, New York 10701-4913

INSTALLATION
Unit is mounted in wall recess using N10 self tapping screws (by others). Mounting holes are provided in side and rear walls of cabinet and are accessible through door for installation. For compliance with ADA Accessibility Guidelines, unit should be installed so that center line of dispenser slot (Ø161mm) maximum above finished floor (AFF). Typical installation height for general utility is 48" (1168mm) from bottom of trim AFF (46-3/4"-1187mm) to bottom edge RWO AFF.

Rough Wall Opening (RWO) required is..... 15-3/4" W x 11-1/4" H x 2-5/8" D (400mm x 285mm x 67mm)

OPERATION
Covers are self-feeding until supply is depleted. Unit is manually reloaded with a full box through access door on a schedule determined by maintenance requirements.

Accessory Specialties AMERICAN DISPENSER Desert Ray Products MITROUS

THIS MANUFACTURER RESERVES THE RIGHT TO MAKE CHANGES IN DESIGN OR DIMENSIONS WITHOUT FORMAL NOTICE

2 RECESSED TOILET SEAT COVER DISPENSER
NO SCALE

ASI AMERICAN SPECIALTIES, INC.
441 Saw Mill River Road, Yonkers, NY 10701 (914) 476-9000
www.americanspecialties.com

MODEL No: 20364
ISSUED: 08-09
REVISED:

AUTOMATIC SOAP DISPENSER

SPECIFICATION
Automatic Soap Dispenser shall hold 33.8 oz (1000 ml) of soaps and lotions within the viscosity range of 50 - 3500 cP (MPa-s) and dispense in cycles of owner-adjustable single shot volume ranging from 0.02 oz to 1/2 oz (1/2 ml to 15 ml) with factory initial setting of 0.034 oz (1 ml). Operation is initiated by hands-free sensor controlled by microprocessor digital circuitry powered by four (4) AA size 1.5 V batteries (supplied by others) in a concealed compartment and locked inside unit bottom. Unit shall be fabricated of 22 gauge type 304 stainless steel alloy 18-8 (.031" [0.8] thick) with a uniform satin finish over all exposed surfaces. Cover shall have lock keyed alike with other ASI washroom accessories. Unit shall have an LED to indicate function and operational condition on front face. Internal tank shall be translucent to show quantity of soap remaining at any time when cover is opened and shall have an internal shut-off valve to facilitate filling and external storage of full tanks. Owner shall easily and securely adjust dispensing cycle with magnetic fob provided. Unit shall mount to wall on concealed base plate with screws secured under locked cover. Mounting template and Owner's Manual shall be provided with unit in each carton.

Automatic Soap Dispenser shall be Model No 20364 of American Specialties, Inc., 441 Saw Mill River Road, Yonkers, NY 10701-4913

INSTALLATION
Secure concealed base plate to wall with four (4) self-tapping screws (supplied: two (2) #8 x 3/4" (M4.5 x 20) pan head & two (2) #8 x 3/4" (M4.5 x 20) flat head) through mounting holes provided in plate into plastic wall anchors (supplied) or other suitable mounting system (provided by others). Install four (4) AA size 1.5 V cells (supplied by others) in concealed battery compartment according to polarity indication and snap-latch battery door. Fill tank with appropriate viscosity soap to correct level and lock door. Locking door activates concealed button to initiate operation. Retain key & fob provided for future access.

OPERATION
Unit shall operate each time an object is positioned within the sensing distance of 3-1/2" (80) ± 1/4" (10) from unit bottom. Owner may change dispensing cycle at any time with magnetic fob provided through tamperproof port. A drop of 0.034 oz (1 ml) of soap will be pumped out of the nozzle on unit bottom if unit is left in factory setting. Unit will dispense soap on each activation while batteries are at suitable charge level (LED is not flashing) and correct viscosity soap is present in the tank. Door has lock to provide security and vandal resistance after each soap refill and battery change service interval.

Accessory Specialties AMERICAN DISPENSER Desert Ray Products MITROUS

THIS MANUFACTURER RESERVES THE RIGHT TO MAKE CHANGES IN DESIGN OR DIMENSIONS WITHOUT FORMAL NOTICE

3 SOAP DISPENSER
NO SCALE

ASI AMERICAN SPECIALTIES, INC.
441 Saw Mill River Road, Yonkers, NY 10701 (914) 476-9000 • (914) 476-0688
www.americanspecialties.com

MODEL No: 3800
ISSUED: 01/87
REVISED: 11/09

1-1/2" DIA (Ø38) GRAB BAR SERIES WITH SNAP-ON FLANGE COVERS

SPECIFICATION
Grab Bar with Snap-On Flange Covers for concealed mounting shall be type 304 stainless steel alloy 18-8. Tubing shall be 1-1/2" diameter (Ø38) x 18 gauge [0.048"] (1.2). Snap-on cover shall be 22 gauge [0.031"] (0.8). Flange shall be 1/8" (3) thick and shall be Heliarc welded to tubing with a continuous concealed bead. End flanges shall have two (2) 3/8" diameter (Ø9.5) mounting holes. Center posts (if any) shall have (2) keyhole slots to ease installation access. All exposed surfaces shall have a satin finish and shall be protected during shipment with a plastic bag. For optional non-slip surface add suffix - P (peened).

1-1/2" Diameter (Ø38) Grab bar with Snap-On Flange Covers shall be Series No 3800 of American Specialties, Inc., 441 Saw Mill River Road, Yonkers, New York 10701-4913

STRENGTH
ASI Grab Bars are designed to meet and exceed ADA requirements as published in CABO/ANSI A117.1-2003 and CFR 28 Part 36, 1 July 1994, section 4.26.3 and FAB-ADA-ABA Regulations of 23 July 2004 Section 609. Mounting to the wall is a critical part of the system to meet this requirement. To withstand the shear, tension or pullout, and torsion loads generated by the maximum loading, the fastener system must be adequately sized.

INSTALLATION
Use grab bar as template to mark mounting holes locations and pre-drill holes. Install bar using two (2) #10 self-tapping pan head screws and flat washers (by others) or other fastener system (by others) to suit conditions for each flange. Appropriate anchoring and backing must be provided in accordance with local building codes or as specified on Architects Plans prior to wall finishing. For compliance with ADA Accessibility Guidelines install unit so that the top of the grab bar is 33" (840) minimum above finished floor (AFF) to 36" (915) maximum AFF. Anchors are available from ASI and must be specified separately for each grab bar style scheduled (see 3900 series).

Accessory Specialties AMERICAN DISPENSER Desert Ray Products MITROUS

THIS MANUFACTURER RESERVES THE RIGHT TO MAKE CHANGES IN DESIGN OR DIMENSIONS WITHOUT FORMAL NOTICE

ASI AMERICAN SPECIALTIES, INC.
441 Saw Mill River Road, Yonkers, NY 10701 (914) 476-9000 • (914) 476-0688
www.americanspecialties.com

MODEL No: GRABBAR CONFIG
ISSUED: 09/96
REVISED: 03/11

GRAB BAR CONFIGURATIONS (PG 1 OF 3)

SCHEDULE

QTY.	DIM. A	QTY.	DIM. A
	12" [305]	2	36" [914]
	18" [457]	2	42" [1067]
	24" [610]		48" [1219]
	30" [762]		

SCHEDULE

QTY.	DIM. A
	52" [1321]
	54" [1372]
	60" [1524]
	72" [1829]

Accessory Specialties AMERICAN DISPENSER Desert Ray Products MITROUS

THIS MANUFACTURER RESERVES THE RIGHT TO MAKE CHANGES IN DESIGN OR DIMENSIONS WITHOUT FORMAL NOTICE

ASI AMERICAN SPECIALTIES, INC.
441 Saw Mill River Road, Yonkers, NY 10701 (914) 476-9000
www.americanspecialties.com

MODEL No: 74022
ISSUED: 01-87
REVISED: 12-08

RECESSED MOUNTED DUAL ROLL TOILET PAPER HOLDER

SPECIFICATION
Recessed Dual Roll Toilet Paper Holder shall hold and dispense all standard core roll tissue up to 6" diameter (Ø152) roll and shall be fabricated of stainless steel type 304 alloy 18-8. Outer shells shall have two (2) perforated lugs for wet wall anchoring or two (2) dimpled holes for dry wall installation each. Rollers shall be chrome plated high impact resistant ABS plastic and shall be spring-loaded. Mounting style shall be wet wall or dry wall as chosen by option and indicated by code suffix. All exposed surfaces shall be satin or bright finish as chosen by option and indicated by code suffix.

Recessed Mounted Dual Roll Toilet Paper Holder shall be Model No 74022 of American Specialties, Inc., 441 Saw Mill River Road, Yonkers, New York 10701-4913

INSTALLATION
For Wet Wall Recessed Mounting: Slop grout into rough wall opening. Apply grout to back of unit and on perforated lugs and push unit into opening to set flange flush with wall face. Allow unit to set and grout to cure before use.
For Standard Dry Wall Recessed Mounting: Use four (4) #10 stainless steel Phillips flat or oval head self tapping or wood screws (by others) of suitable length to penetrate blocking in back of RWO by approximately 1/2" (13). Apply a continuous bead of silicone sealant (by others) behind flange. Tighten screws to hold flange tight against finished wall face. Wipe off excess sealant immediately.
Optional Method for Dry Wall Recessed Mounting: Order two (2) separate items Model No 79 dry wall clamps. Loosely attach clamps to the back of the unit with four (4) stainless steel Phillips flat or oval head #10B (or 10AB or 10BP) self tapping screws (provided by others to suit wall conditions) through dimpled holes at back of shell. Apply a continuous bead of silicone sealant (by others) behind flange. Insert into RWO and adjust clamps so that they grip inside wall surface through opening. Secure necessary to clamps and wall by tightening screws. Wipe off excess sealant immediately.
For compliance with ADA Accessibility Guidelines install unit with centerline of rollers 19" (483) min AFF to 42" (1067) max AFF and 7" (178) min to 9" (229) max from front of commode to centerline of dispenser.

Rough Wall Opening (RWO) required is 11-3/4" W x 5-1/2" H x 2" D (298 x 140 x 51)

OPTIONS
Optional finish and mounting style must be specified as either bright or satin and wet or drywall. Specify finish and mounting by adding code suffixes to model number (i.e. 74022-SD or 74022-SW or 74022-BD or 74022-HW).

Option	B	D	S	W
Specifies	Bright Finish	Dry wall holes	Satin Finish	Wet wall lugs

Accessory Specialties AMERICAN DISPENSER Desert Ray Products MITROUS

THIS MANUFACTURER RESERVES THE RIGHT TO MAKE CHANGES IN DESIGN OR DIMENSIONS WITHOUT FORMAL NOTICE

5 RECESSED DUAL TOILET PAPER DISPENSER
NO SCALE

RESTROOM ACCESSORIES SPECIFICATIONS

ISSUED FOR CONSTRUCTION
APRIL 23, 2012

EMBREY PARTNERS, LTD

SAN ANTONIO, TX

KELLER SPRINGS CLUBHOUSE
ADDISON, TX

© 2012 M. FORD & ASSOCIATES INC.
THIS DOCUMENT IS PUBLISHED AS AN INSTRUMENT OF SERVICE AND IS GIVEN IN CONFIDENCE. IT REMAINS THE PROPERTY OF M. FORD & ASSOCIATES, INC. THIS DOCUMENT, AND THE INFORMATION CONTAINED WITHIN MAY NOT BE DUPLICATED OR DISCLOSED WITHOUT WRITTEN CONSENT OF M. FORD & ASSOCIATES, INC. HOUSTON, TEXAS



m. ford & associates
interior design
99 detering street
suite 165
houston, tx 77007
phone 713-630-0800
fax 713-630-0814
mford@mfordassociates.com
www.mfordassociates.com

Queen of the World

SHEET NO.

ID.4.6

ASI AMERICAN SPECIALTIES, INC.
441 Saw Mill River Road, Yonkers, NY 10701 (914) 476-9000
www.americanspecialties.com

MODEL No: 6467
ISSUED: 1-87
REVISED: 5-07

RECESSED PAPER TOWEL DISPENSER AND WASTE RECEPTACLE

SPECIFICATION
Recessed Towel Dispenser and Waste Receptacle shall hold and dispense 800 standard multi-fold or 600 standard C-fold paper towels, and shall have a waste capacity of 5 gallons (18.9 liters). Cabinet, door, dispenser and waste receptacle shall be fabricated from type 304 stainless steel alloy 18-8. All exposed surfaces shall have a N4 satin finish and shall be protected during shipment by PVC film easily removable after installation. Cabinet shall be 20 gauge with a 1" (25.4) wide perimeter trim to lay flush against wall and shall have no exposed fastening devices or visible seams. Full-face door shall be 18 gauge, fabricated from one piece with no miter or seams on face and shall have 1/2" (12.7) square returns to the wall. Door shall be attached to cabinet body with a full length 3/16" (04.8) stainless steel multi-staked piano hinge and shall be held closed with two (2) tumbler locks keyed alike to other ASI washroom equipment. Towel dispensing slot shall have a fully deburred edge for snag free dispensing and user safety. Dispensing mechanism shall include an adapter that permits the use of multi-fold and C-fold towels. Waste receptacle shall have a rolled edge finger hole for easy servicing.

Recessed Paper Towel Dispenser and Waste Receptacle shall be Model N6467 as manufactured by American Specialties, Inc., 441 Saw Mill River Road, Yonkers, New York, 10701-4913

INSTALLATION
Install unit in wall recess with N10 self-tapping screws (by others) through concealed mounting holes provided. Note that top of rough wall opening (RWO) is 3/4" (19) below top of unit. For compliance with ADA Accessibility Guidelines, install unit so that centerline of towel dispenser slot is 48" (1219) maximum above finished floor (MAX AFF).

RWO required is 11-1/2" W x 53-1/2" H x 4" D minimum (292 x 1359 x 102)

OPERATION
Paper towels are manually withdrawn through dispensing slot. A towel adapter ensures that towels feed properly until depleted. Unit will continue to feed properly when reloading with a partial load in place. Refill dispenser by unlatching door and replacing towels for an empty or partially empty unit. Dispenser supply is replenished and waste container is emptied manually on cycles determined by maintenance needs. Locking full-face door over compartments prevents unauthorized access or removal.

Accessory Specialties AMERICAN DISPENSER Desert Ray Products MITROUS

THIS MANUFACTURER RESERVES THE RIGHT TO MAKE CHANGES IN DESIGN OR DIMENSIONS WITHOUT FORMAL NOTICE

1 RECESSED PAPER TOWEL DISPENSER/WASTE RECEPTACLE
NO SCALE

ASI AMERICAN SPECIALTIES, INC.
441 Saw Mill River Road, Yonkers, NY 10701 (914) 476-9000

MODEL No: 9477
ISSUED: 10-90
REVISED: 9-04

RECESS MOUNTED TOILET SEAT COVER DISPENSER

SPECIFICATION
Recess Mounted Toilet Seat Cover Dispenser shall hold and dispense 500 standard single or half-fold paper toilet seat covers contained in supply box. Cabinet and door shall be fabricated of alloy 18-8 stainless steel, type 304. Cabinet shall be 22 gauge, with a 1" (25mm) wide perimeter return to lay flat against wall. Full face door shall be 16 gauge and shall be free of miters, welding or open seams with 15/16" (24mm) square horizontal returns to wall and 3/4" rounded vertical edges. Door shall be attached to the edge of unit with a full length 3/16" (5mm) dia. stainless steel multi-staked piano hinge and shall be held closed with a rimless tumbler lock keyed alike to other ASI washroom equipment. Cover dispensing slot shall have a fully deburred flat edge for snag-free dispensing and user safety. Structural assembly of cabinet and door components shall be of welded construction and shall have no exposed fasteners or welded seams. All exposed surfaces shall have a N4 satin finish.

Recess Mounted Toilet Seat Cover Dispenser shall be Model N9477 as manufactured by American Specialties, Inc., 441 Saw Mill River Road, Yonkers, New York 10701-4913

INSTALLATION
Unit is mounted in wall recess using N10 self tapping screws (by others). Mounting holes are provided in side and rear walls of cabinet and are accessible through door for installation. For compliance with ADA Accessibility Guidelines, unit should be installed so that center line of dispenser slot is 40 1/16mm (maximum above finished floor (AFF). Typical installation height for general utility is 46" (1168mm) from bottom of trim AFF (46-3/4-1187mm) to bottom edge RWO (AFF).

Rough Wall Opening (RWO) required is..... 15-3/4" W x 11-1/4" H x 2-5/8" D (400mm x 285mm x 67mm)

OPERATION
Covers are self-feeding until supply is depleted. Unit is manually reloaded with a full box through access door on a schedule determined by maintenance requirements.

Accessory Specialties AMERICAN DISPENSER Desert Ray Products MITROUS

THIS MANUFACTURER RESERVES THE RIGHT TO MAKE CHANGES IN DESIGN OR DIMENSIONS WITHOUT FORMAL NOTICE

2 RECESSED TOILET SEAT COVER DISPENSER
NO SCALE

ASI AMERICAN SPECIALTIES, INC.
441 Saw Mill River Road, Yonkers, NY 10701 (914) 476-9000
www.americanspecialties.com

MODEL No: 20364
ISSUED: 09/09
REVISED:

AUTOMATIC SOAP DISPENSER

SPECIFICATION
Automatic Soap Dispenser shall hold 33.8 oz (1000 ml) of soaps and lotions within the viscosity range of 50 - 3500 cP (MPa*s) and dispense in cycles of owner-adjustable single shot volume ranging from 0.02 oz to 1/2 oz (1/2 ml to 15 ml) with factory initial setting of 0.034 oz (1 ml). Operation is initiated by hands-free sensor controlled by microprocessor digital circuitry powered by four (4) AA size 1.5 V batteries (supplied by others) in a concealed compartment and locked inside unit bottom. Unit shall be fabricated of 22 gauge type 304 stainless steel alloy 18-8 (0.31" [0.8] thick) with a uniform satin finish over all exposed surfaces. Cover shall have lock keyed alike with other ASI washroom accessories. Unit shall have an LED to indicate function and operational condition on front face. Internal tank shall be translucent to show quantity of soap remaining at any time when cover is opened and shall have an internal shut-off valve to facilitate filling and external storage of full tanks. Owner shall easily and securely adjust dispensing cycle with magnetic foil provided. Unit shall mount to wall on concealed base plate with screws secured under locked cover. Mounting template and Owner's Manual shall be provided with unit in each carton.

Automatic Soap Dispenser shall be Model No 20364 of American Specialties, Inc., 441 Saw Mill River Road, Yonkers, NY 10701-4913

INSTALLATION
Secure concealed base plate to wall with four (4) self-tapping screws (supplied: two (2) #8 x 3/4" (M4.5 x 20) pan head & two (2) #8 x 3/4" (M4.5 x 20) flat head) through mounting holes provided in plate into plastic wall anchors (supplied) or other suitable mounting system (provided by others). Install four (4) AA size 1.5 V cells (supplied by others) in concealed battery compartment according to polarity indication and snap-latch battery door. Fill tank with appropriate viscosity soap to correct level and lock door. Locking door activates concealed button to initiate operation. Retain key & foil provided for future access.

OPERATION
Unit shall operate each time an object is positioned within the sensing distance of 3-1/2" (89) ± 1/8" (10) from unit bottom. Owner may change dispensing cycle at any time with magnetic foil provided through tamper-proof port. A drop of 0.034 oz (1 ml) of soap will be pumped out of the nozzle on unit bottom if unit is left in factory setting. Unit will dispense soap on each activation while batteries are at suitable charge level (LED is not flashing) and correct viscosity soap is present in the tank. Door has lock to provide security and vandal resistance after each soap refill and battery change service interval.

Accessory Specialties AMERICAN DISPENSER Desert Ray Products MITROUS

THIS MANUFACTURER RESERVES THE RIGHT TO MAKE CHANGES IN DESIGN OR DIMENSIONS WITHOUT FORMAL NOTICE

3 SOAP DISPENSER
NO SCALE

ASI AMERICAN SPECIALTIES, INC.
441 Saw Mill River Road, Yonkers, NY 10701 (914) 476-9000 • (914) 476-0888
www.americanspecialties.com

MODEL No: 3800
ISSUED: 01/87
REVISED: 11/09

1-1/2" DIA (Ø38) GRAB BAR SERIES WITH SNAP-ON FLANGE COVERS

SPECIFICATION
1-1/2" Diameter (Ø38) Grab bar with Snap-On Flange Covers for concealed mounting shall be type 304 stainless steel alloy 18-8. Tubing shall be 1-1/2" diameter (Ø38) x 18 gauge [0.048"] (1.2). Snap-on cover shall be 22 gauge [0.03"] (0.8). Flange shall be 1/8" (3) thick and shall be Helarc welded to tubing with a continuous concealed bead. End flanges shall have two (2) 3/8" diameter (Ø9.5) mounting holes. Center posts (if any) shall have (2) keyhole slots to ease installation access. All exposed surfaces shall have a satin finish and shall be protected during shipment with a plastic bag. For optional non-slip surface add suffix - P (peened).

1-1/2" Diameter (Ø38) Grab bar with Snap-On Flange Covers shall be Series No 3800 of American Specialties, Inc., 441 Saw Mill River Road, Yonkers, New York 10701-4913

STRENGTH
ASI Grab Bars are designed to meet and exceed ADA requirements as published in CABO/ANSI A117.1-2003 and CFR 28 Part 36, 1 July 1994, section 4.26.3 and FAB-ADA-ABA Regulations of 23 July 2004 Section 609. Mounting to the wall is a critical part of the system to meet this requirement. To withstand the shear, tension or pullout, and torsion loads generated by the maximum loading, the fastener system must be adequately sized.

INSTALLATION
Use grab bar as template to mark mounting holes locations and pre-drill holes. Install bar using two (2) #10 self-tapping pan head screws and flat washers (by others) or other fastener system (by others) to suit conditions for each flange. Appropriate anchoring and backing must be provided in accordance with local building codes or as specified on Architects Plans prior to wall finishing. For compliance with ADA Accessibility Guidelines install unit so that the top of the grab bar is 33" (840) minimum above finished floor (AFF) to 36" (915) maximum AFF. Anchors are available from ASI and must be specified separately for each grab bar style scheduled (see 3900 series).

Accessory Specialties AMERICAN DISPENSER Desert Ray Products MITROUS

THIS MANUFACTURER RESERVES THE RIGHT TO MAKE CHANGES IN DESIGN OR DIMENSIONS WITHOUT FORMAL NOTICE

4 GRAB BARS
NO SCALE

ASI AMERICAN SPECIALTIES, INC.
441 Saw Mill River Road, Yonkers, NY 10701 (914) 476-9000 • (914) 476-0888
www.americanspecialties.com

MODEL No: GRABBAR CONFIG
ISSUED: 09/96
REVISED: 03/11

GRAB BAR CONFIGURATIONS (PG 1 OF 3)

SCHEDULE

QTY.	DIM. A	QTY.	DIM. A
	12" [305]	2	36" [914]
	18" [457]	2	42" [1067]
	24" [610]		48" [1219]
	30" [762]		

SCHEDULE

QTY.	DIM. A
	52" [1321]
	54" [1372]
	60" [1524]
	72" [1829]

Accessory Specialties AMERICAN DISPENSER Desert Ray Products MITROUS

THIS MANUFACTURER RESERVES THE RIGHT TO MAKE CHANGES IN DESIGN OR DIMENSIONS WITHOUT FORMAL NOTICE

ASI AMERICAN SPECIALTIES, INC.
441 Saw Mill River Road, Yonkers, NY 10701 (914) 476-9000
www.americanspecialties.com

MODEL No: 74022
ISSUED: 01-87
REVISED: 12-06

RECESSED MOUNTED DUAL ROLL TOILET PAPER HOLDER

SPECIFICATION
Recessed Dual Roll Toilet Paper Holder shall hold and dispense all standard core roll tissue up to 6" diameter (Ø152) roll and shall be fabricated of stainless steel type 304 alloy 18-8. Outer shells shall have two (2) perforated lugs for wet wall anchoring or two (2) dimpled holes for dry wall installation each. Rollers shall be chrome plated high impact resistant ABS plastic and shall be spring-loaded. Mounting style shall be wet wall or dry wall as chosen by option and indicated by code suffix. All exposed surfaces shall be satin or bright finish as chosen by option and indicated by code suffix.

Recessed Mounted Dual Roll Toilet Paper Holder shall be Model No 74022 of American Specialties, Inc., 441 Saw Mill River Road, Yonkers, New York 10701-4913

INSTALLATION
For Wet wall Recessed Mounting: Slop grout into rough wall opening. Apply grout to back of unit and on perforated lugs and push unit into opening to set flange flush with wall face. Allow unit to set and grout to cure before use.
For Standard Dry Wall Recessed Mounting: Use four (4) #10 stainless steel Phillips flat or oval head self tapping or wood screws (by others) of suitable length to penetrate blocking in back of RWO by approximately 1/2" (13). Apply a continuous bead of silicone sealant (by others) behind flange. Tighten screws to hold flange tight against finished wall face. Wipe off excess sealant immediately.
Optional Method for Dry Wall Recessed Mounting: Order two (2) separate items Model No 39 dry wall clamps. Loosely attach clamps to the back of the unit with four (4) stainless steel Phillips flat or oval head #10 (or 10A) or 10B (P) self tapping screws (provided by others) to suit wall conditions through dimpled holes at back of shell. Apply a continuous bead of silicone sealant (by others) behind flange. Insert into RWO and adjust clamps so that they grip inside wall surface through opening. Secure accessory to clamps and wall by tightening screws. Wipe off excess sealant immediately.
For compliance with ADA Accessibility Guidelines install unit with centerline of rollers 19" (483) min AFF to 42" (1067) max AFF and 7" (178) min to 9" (229) max from front of commode to centerline of dispenser.

Rough Wall Opening (RWO) required is 11-3/4" W x 5-1/2" H x 2" D (298 x 140 x 51)

OPTIONS
Optional finish and mounting style must be specified as either bright or satin and wet or drywall. Specify finish and mounting by adding code suffixes to model number (i.e. 74022-SD or 74022-SW or 74022-BD or 74022-BW).

Option	B	D	S	W
Specifies	Bright Finish	Dry wall holes	Satin Finish	Wet wall lugs

Accessory Specialties AMERICAN DISPENSER Desert Ray Products MITROUS

THIS MANUFACTURER RESERVES THE RIGHT TO MAKE CHANGES IN DESIGN OR DIMENSIONS WITHOUT FORMAL NOTICE

5 RECESSED DUAL TOILET PAPER DISPENSER
NO SCALE

ISSUED FOR CONSTRUCTION
APRIL 23, 2012

RESTROOM ACCESSORIES SPECIFICATIONS

KELLER SPRINGS CLUBHOUSE
ADDISON, TX

EMBREY PARTNERS, LTD
SAN ANTONIO, TX

© 2012 M. FORD & ASSOCIATES, INC.
THIS DOCUMENT IS PUBLISHED AS AN INSTRUMENT OF SERVICE AND IS GIVEN IN CONFIDENCE. IT REMAINS THE PROPERTY OF M. FORD & ASSOCIATES, INC. THIS DOCUMENT, AND THE INFORMATION CONTAINED WITHIN MAY NOT BE REPRODUCED OR DISCLOSED WITHOUT WRITTEN CONSENT OF M. FORD & ASSOCIATES, INC. HOUSTON, TEXAS

m ford

m. ford & associates
interior design
99 dentering street
suite 165
houston, tx 77007
phone 713-630-0800
fax 713-630-0814
mford@mfordassociates.com
www.mfordassociates.com

drawn by: Queen of the World

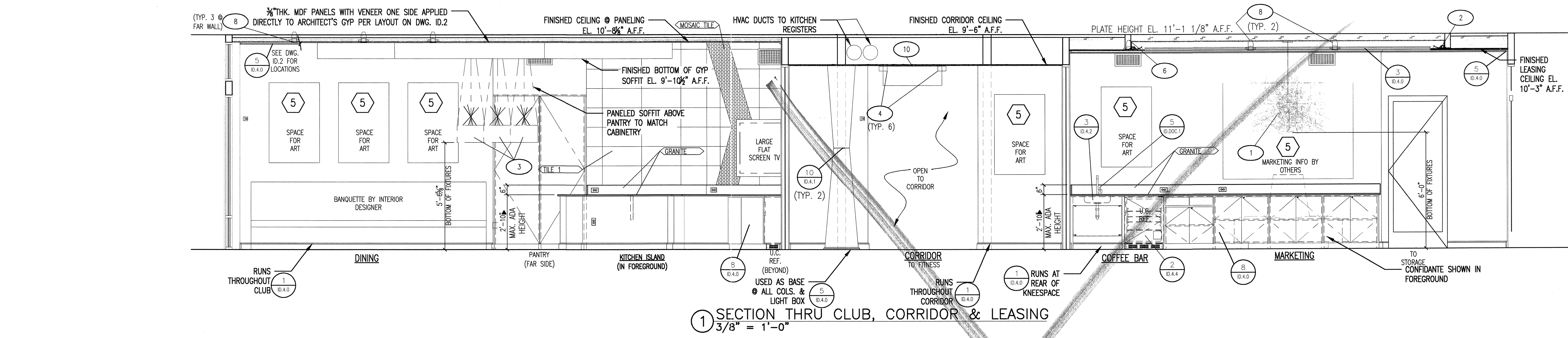
SHEET NO.

ID.4.6

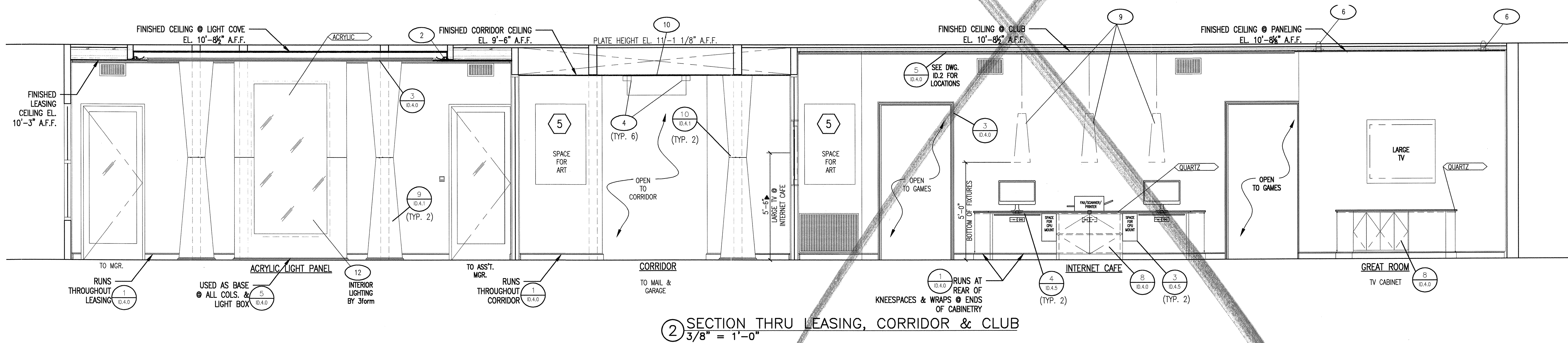
KELLER SPRINGS CLUBHOUSE
ADDISON, TX

ISSUED FOR CONSTRUCTION
APRIL 23, 2012

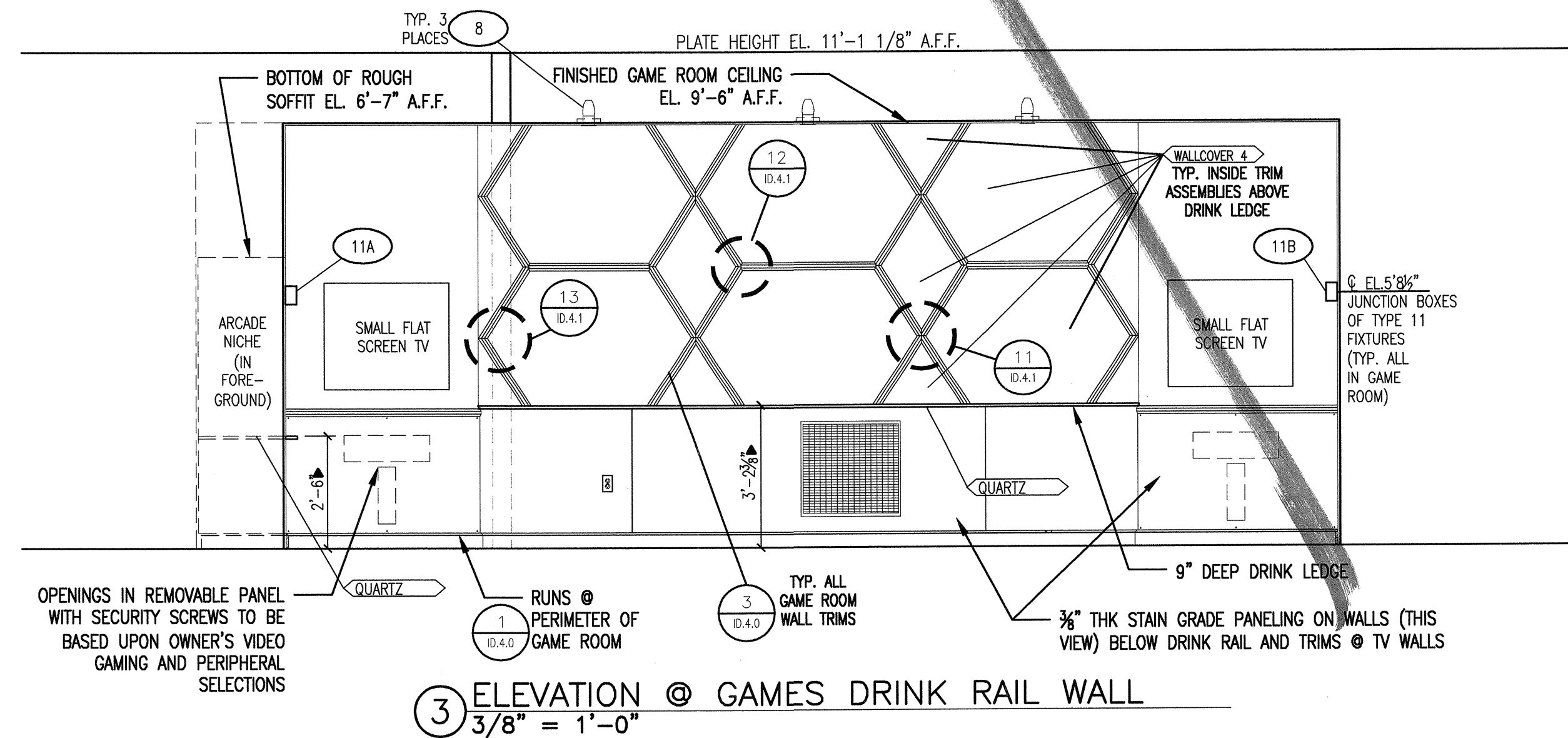
GENERAL SECTIONS & ELEVATION @ GAMES



1 SECTION THRU CLUB, CORRIDOR & LEASING
3/8" = 1'-0"

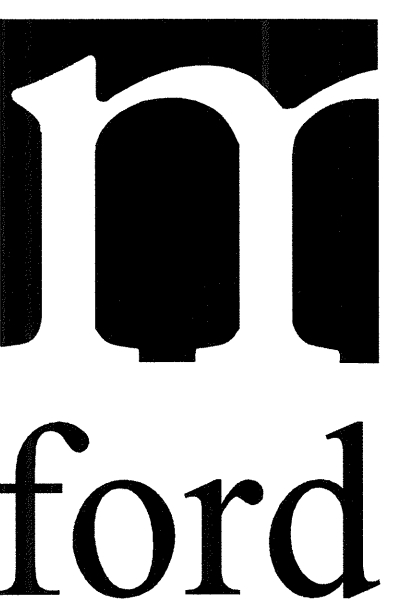


2 SECTION THRU LEASING, CORRIDOR & CLUB
3/8" = 1'-0"



3 ELEVATION @ GAMES DRINK RAIL WALL
3/8" = 1'-0"

© 2012 M. FORD & ASSOCIATES INC. THIS DOCUMENT IS PUBLISHED AS AN INSTRUMENT OF SERVICE AND IS GIVEN IN CONFIDENCE. IT REMAINS THE PROPERTY OF M. FORD & ASSOCIATES, INC. THIS DOCUMENT AND THE INFORMATION CONTAINED WITHIN MAY NOT BE DUPLICATED OR DISCLOSED WITHOUT WRITTEN CONSENT OF M. FORD & ASSOCIATES, INC. HOUSTON, TEXAS



m. ford & associates
interior design
99 detersing street
suite 165
houston, tx 77007
phone 713-630-0800
fax 713-630-0814
mford@mfordassociates.com
www.mfordassociates.com

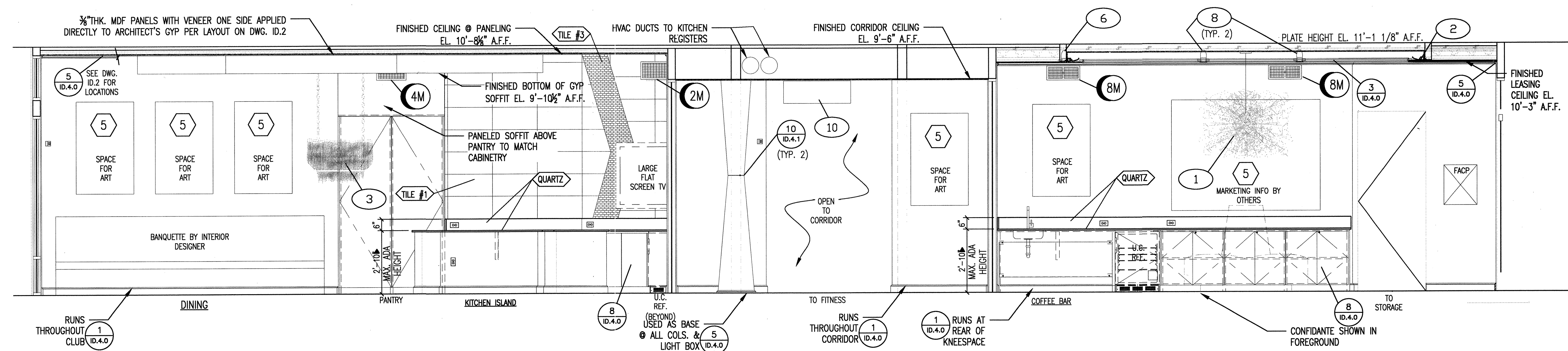
drawn by
Queen of the World

SHEET NO.

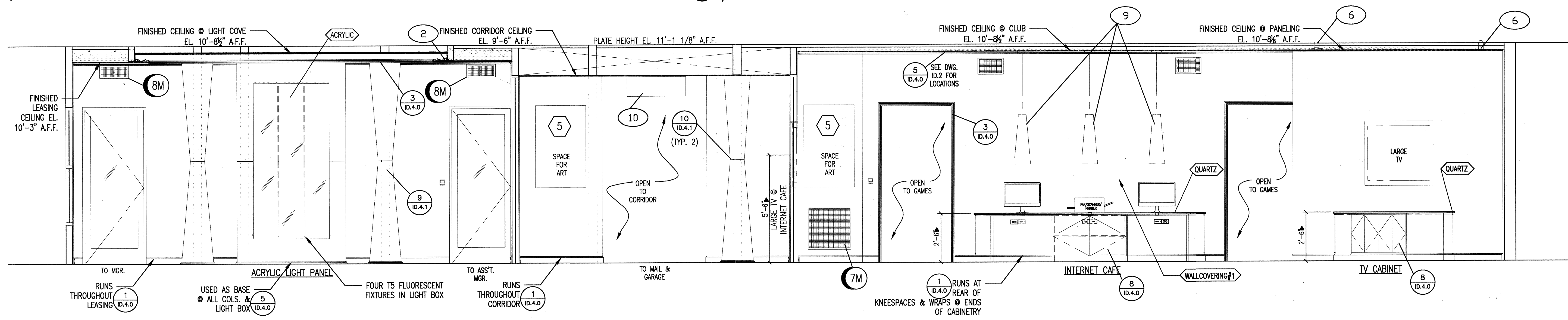
ID.5

ISSUED FOR PRESENTATION
NOVEMBER 9, 2011

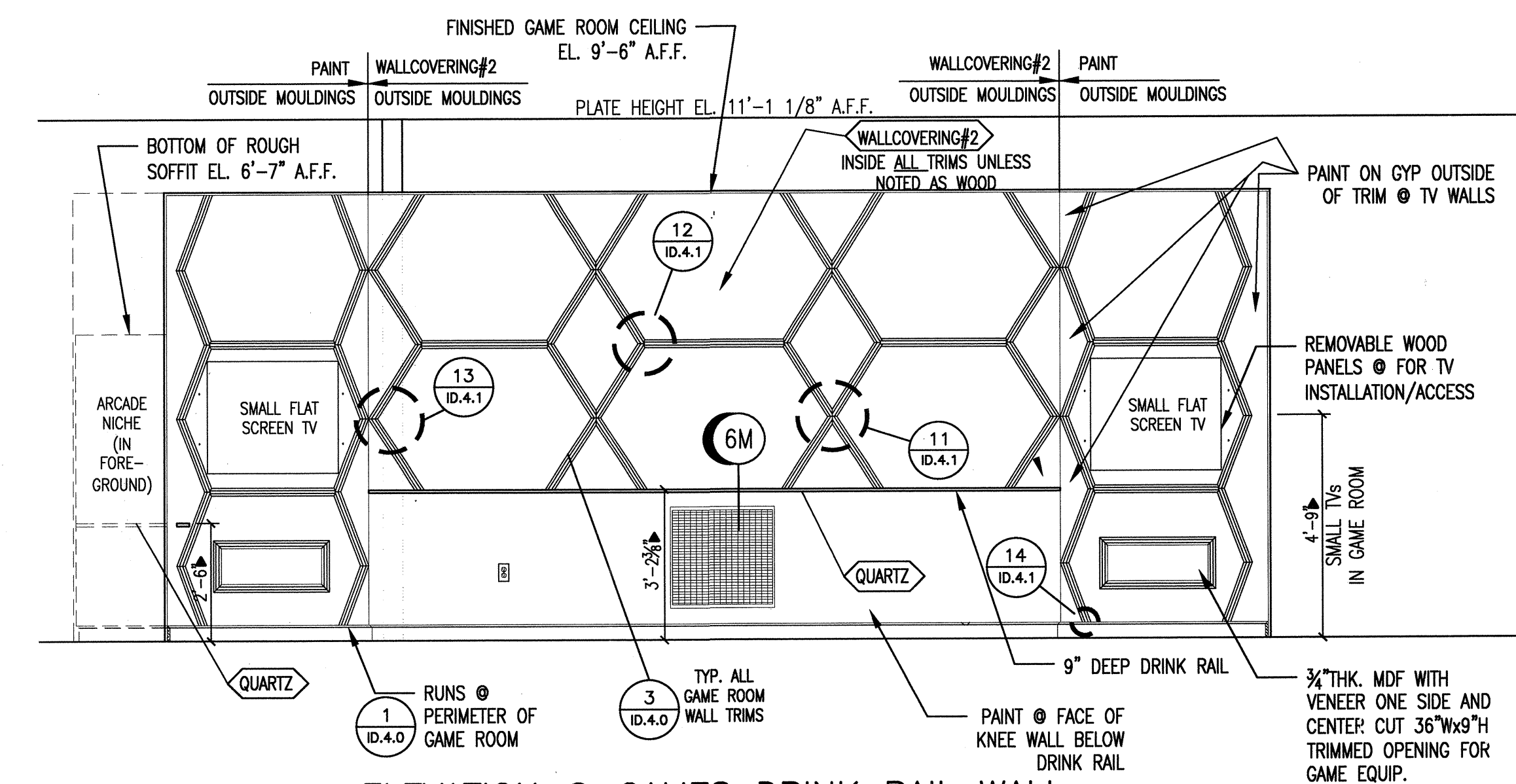
KELLER SPRINGS CLUBHOUSE
ADDISON, TX



1 SECTION THRU CLUB, CORRIDOR & LEASING
3/8" = 1'-0"



2 SECTION THRU LEASING, CORRIDOR & CLUB
3/8" = 1'-0"



3 ELEVATION @ GAMES DRINK RAIL WALL
3/8" = 1'-0"

SECTIONS & ELEVATION

© 2011 M. FORD & ASSOCIATES INC.
THIS DOCUMENT IS PUBLISHED AS AN INSTRUMENT OF SERVICE AND IS GIVEN IN CONFIDENCE. IT REMAINS THE PROPERTY OF M. FORD & ASSOCIATES, INC. AND THE INFORMATION CONTAINED WITHIN MAY NOT BE REPRODUCED, COPIED, OR DISCLOSED WITHOUT THE WRITTEN CONSENT OF M. FORD & ASSOCIATES, INC. HOUSTON, TEXAS



m. ford & associates
interior design
99 deterring street
suite 165
houston, tx 77007
phone 713-630-0800
fax 713-630-0814
mford@mfordassociates.com
www.mfordassociates.com

drawn by: Queen of the World

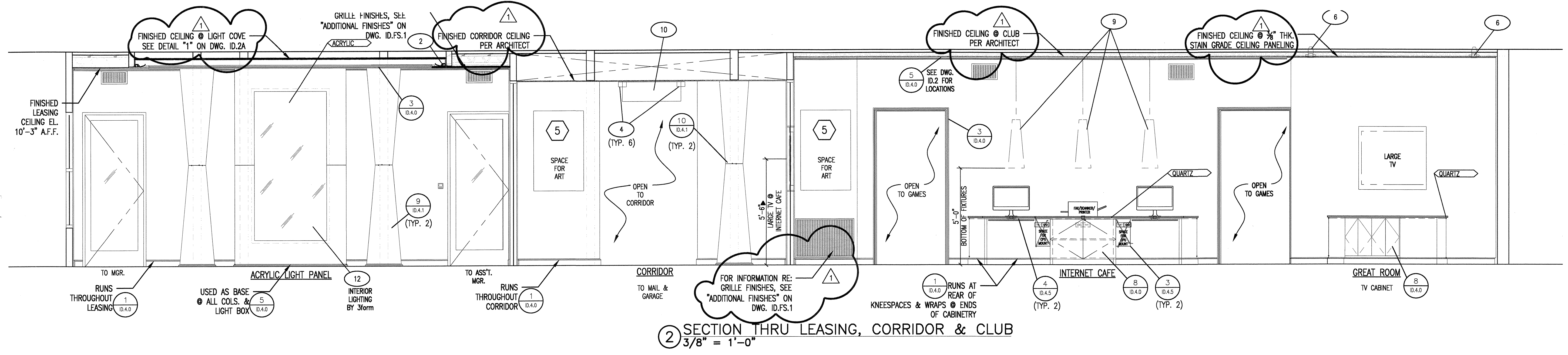
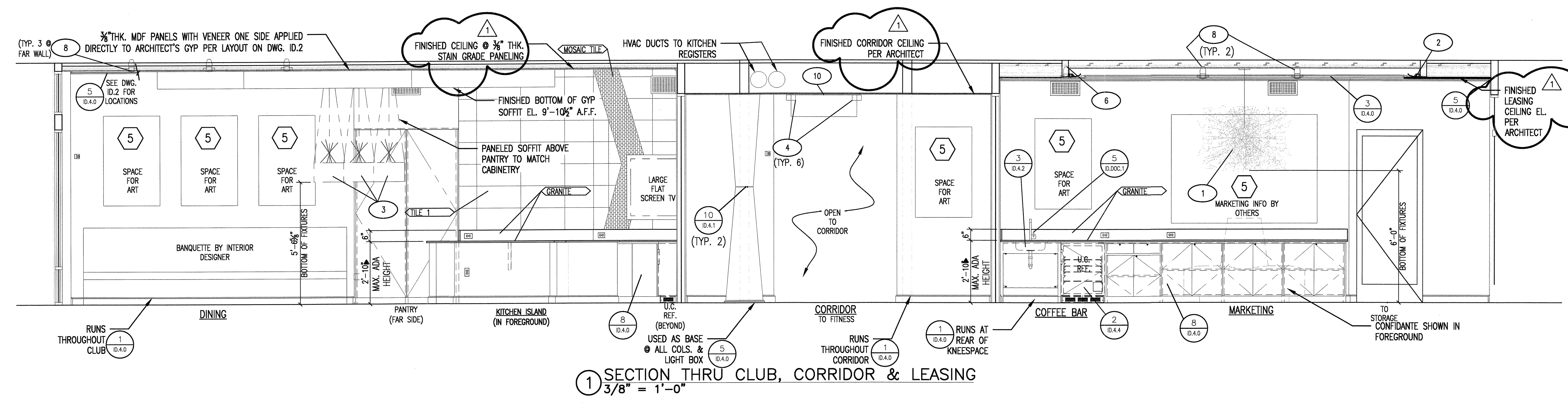
SHEET NO.

ID.5

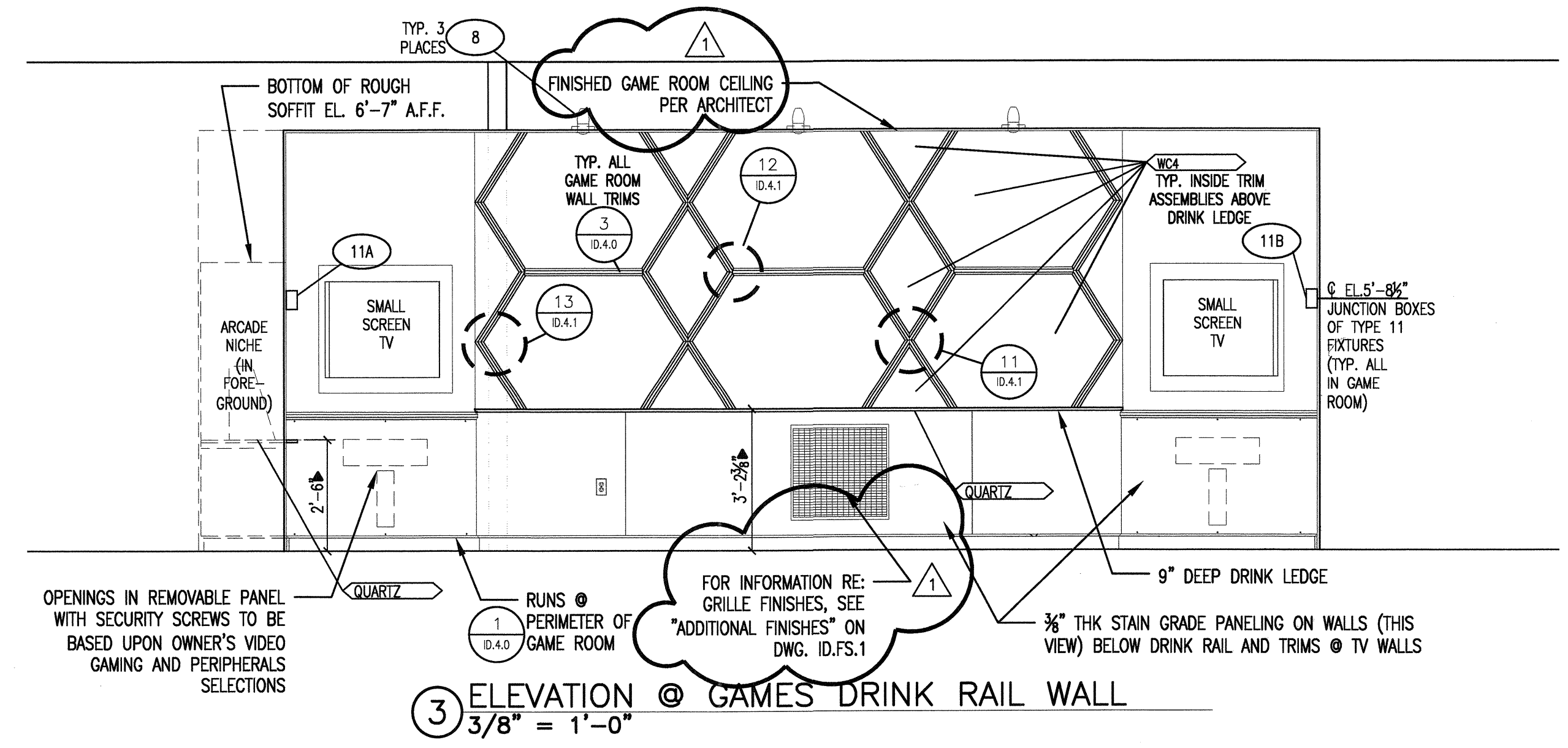
REVISED FOR CONSTRUCTION
MAY 16, 2012

KELLER SPRINGS CLUBHOUSE
ADDISON, TX

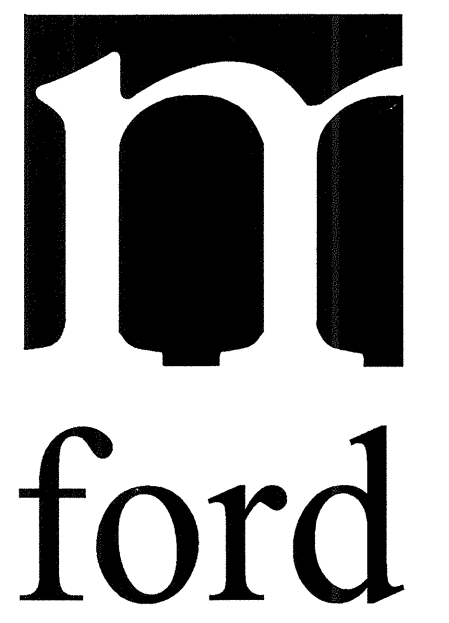
GENERAL SECTIONS & ELEVATION @ GAMES



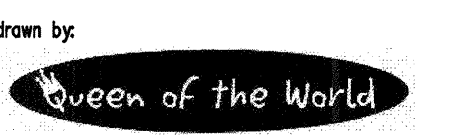
★ BUILDER TO DETERMINE WHICH DOORS IN CLUB/LEASING/COMMON AREAS WILL RECEIVE KELLER SPRINGS CASING. SEE DETAIL "3A" ON DWG. ID.4.0 FOR PROFILE.



1 ADDED FABRICATION DETAILS 5-16-12
© 2012 M. FORD & ASSOCIATES, INC. THIS DOCUMENT IS PUBLISHED AS AN INSTRUMENT OF SERVICE AND IS GIVEN IN CONFIDENCE. IT REMAINS THE PROPERTY OF M. FORD & ASSOCIATES, INC. THIS DOCUMENT AND THE INFORMATION CONTAINED WITHIN MAY NOT BE REPRODUCED OR DISCLOSED WITHOUT WRITTEN CONSENT OF M. FORD & ASSOCIATES, INC., HOUSTON, TEXAS



m. ford & associates
interior design
99 dentering street
suite 165
houston, tx 77007
phone 713-630-0800
fax 713-630-0814
mford@mfordassociates.com
www.mfordassociates.com

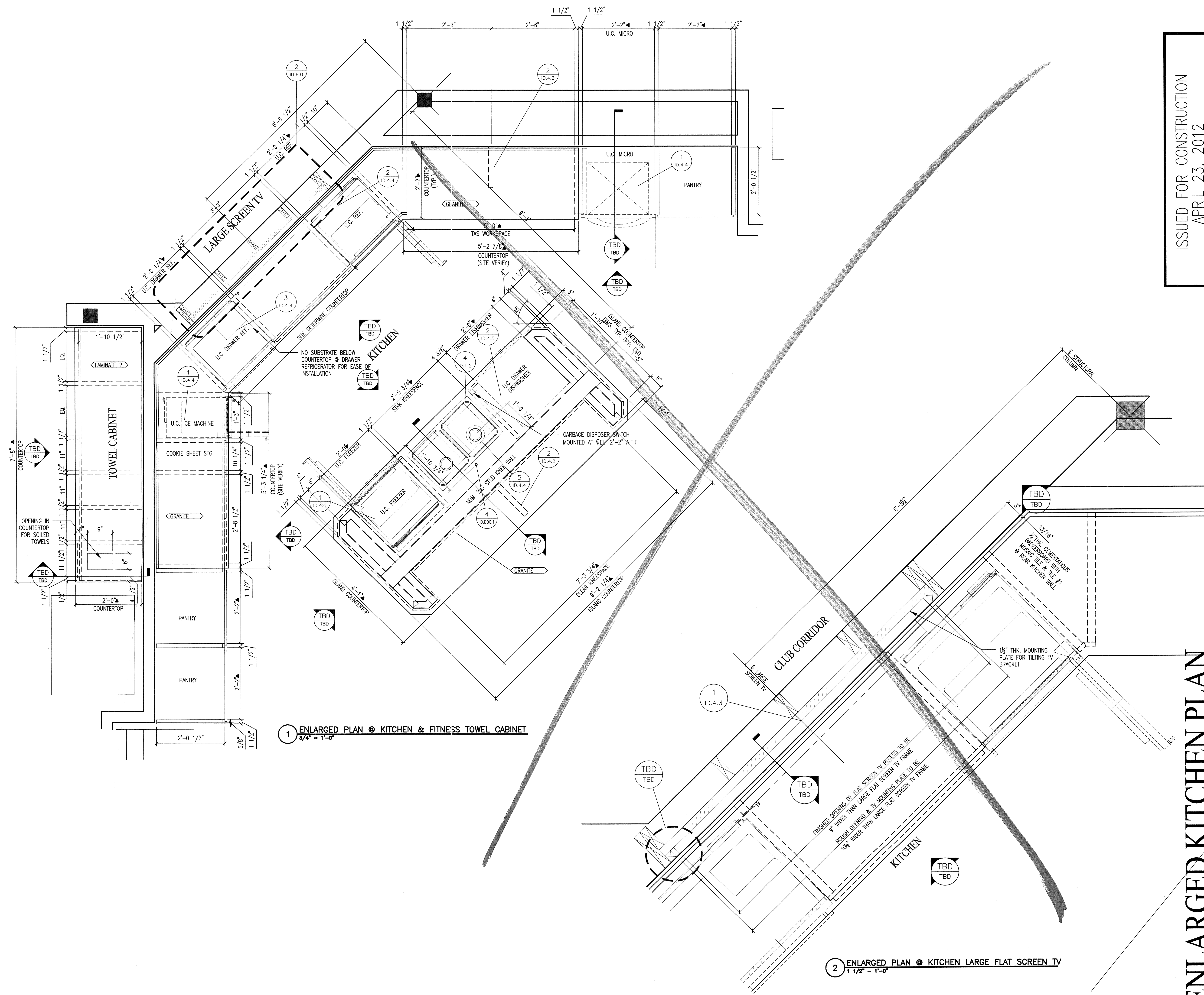


SHEET NO.

ID.5

ISSUED FOR CONSTRUCTION
APRIL 23, 2012

KELLER SPRINGS CLUBHOUSE
ADDISON, TX



1 ENLARGED PLAN @ KITCHEN & FITNESS TOWEL CABINET
3/4" = 1'-0"

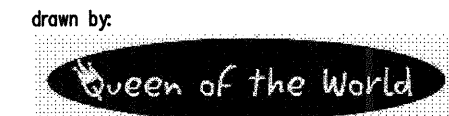
2 ENLARGED PLAN @ KITCHEN LARGE FLAT SCREEN TV
1 1/2" = 1'-0"

ENLARGED KITCHEN PLAN

© 2012 M. FORD & ASSOCIATES, INC.
THIS DOCUMENT IS PUBLISHED AS AN INSTRUMENT OF SERVICE AND IS GIVEN IN CONFIDENCE. IT REMAINS THE PROPERTY OF M. FORD & ASSOCIATES, INC. THIS DOCUMENT AND THE INFORMATION CONTAINED HEREIN MAY NOT BE DUPLICATED OR DISCLOSED WITHOUT WRITTEN CONSENT OF M. FORD & ASSOCIATES, INC. HOUSTON, TEXAS.



m. ford & associates
interior design
99 detersing street
suite 165
houston, tx 77007
phone 713-630-0800
fax 713-630-0814
mford@mfordassociates.com
www.mfordassociates.com

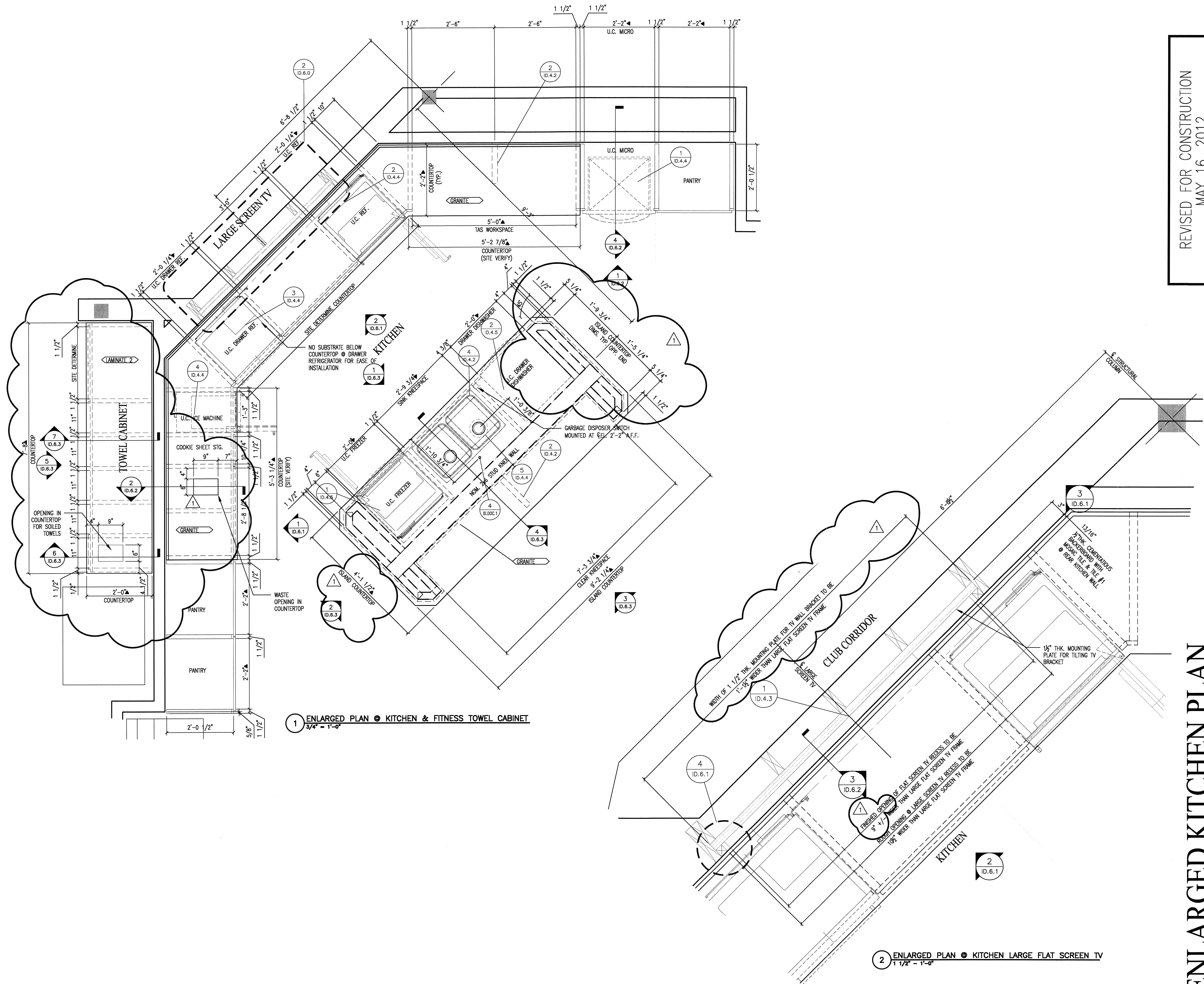


SHEET NO.

ID.6.0

REVISED FOR CONSTRUCTION
MAY 16, 2012

KELLER SPRINGS CLUBHOUSE
ADDISON, TX



1 ENLARGED PLAN @ KITCHEN & FITNESS TOWEL CABINET
5/4" - 1'-0"

2 ENLARGED PLAN @ KITCHEN LARGE FLAT SCREEN TV
1 1/2" - 1'-0"

1 ADDED FABRICATION DETAILS 5-16-12
© 2012 M. FORD & ASSOCIATES INC.
THIS DOCUMENT IS PUBLISHED AS AN INSTRUMENT OF SERVICE AND IS GIVEN IN CONFIDENCE. IT REMAINS THE PROPERTY OF M. FORD & ASSOCIATES, INC. THIS DOCUMENT AND THE INFORMATION CONTAINED WITHIN MAY NOT BE REPRODUCED OR DISCLOSED WITHOUT WRITTEN CONSENT OF M. FORD & ASSOCIATES, INC. HOUSTON, TEXAS



m. ford & associates
interior design
99 deterring street
suite 165
houston, tx 77007
phone 713-630-0800
fax 713-630-0814
mford@mfordassociates.com
www.mfordassociates.com

drawn by: Queen of the World

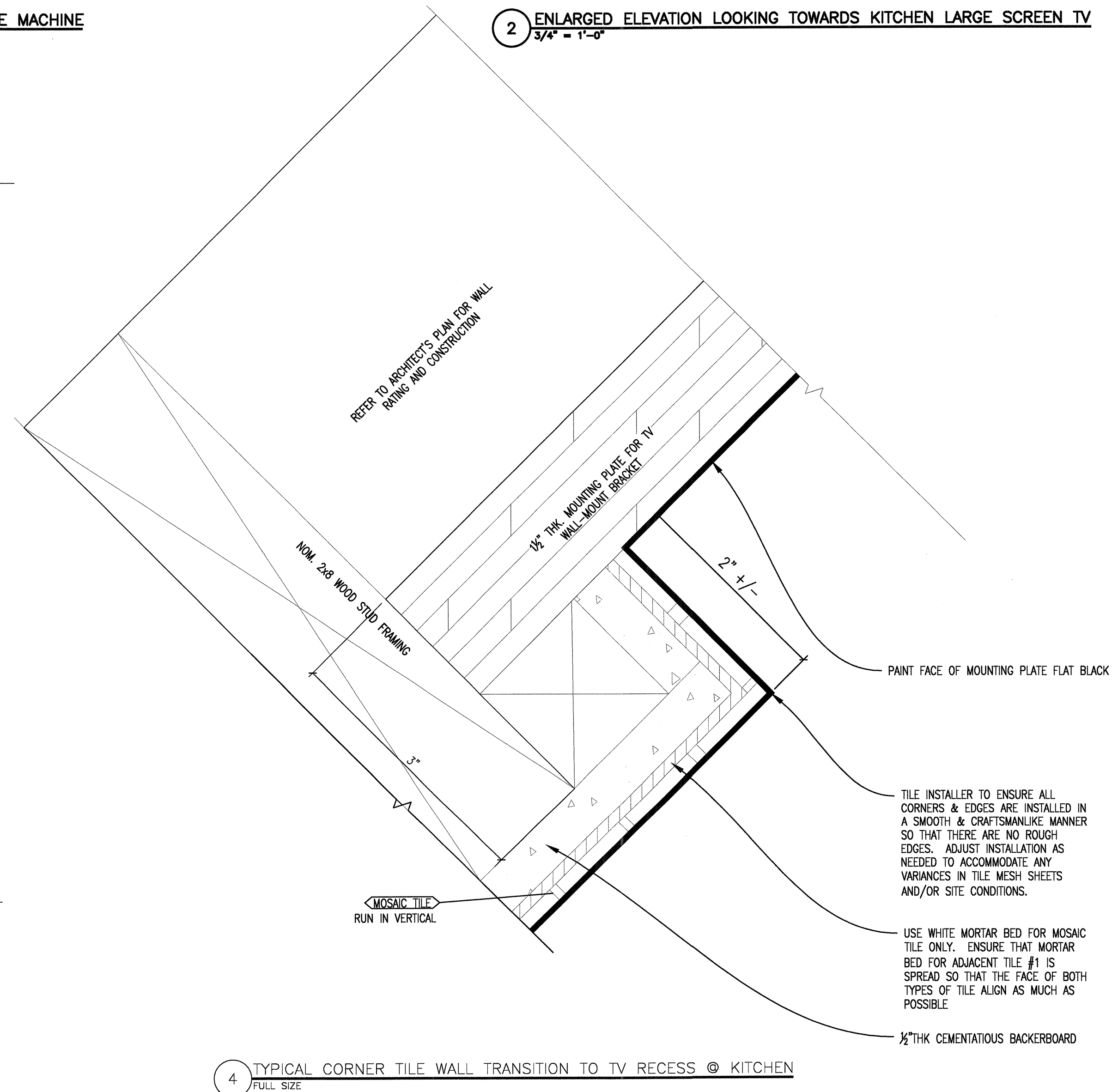
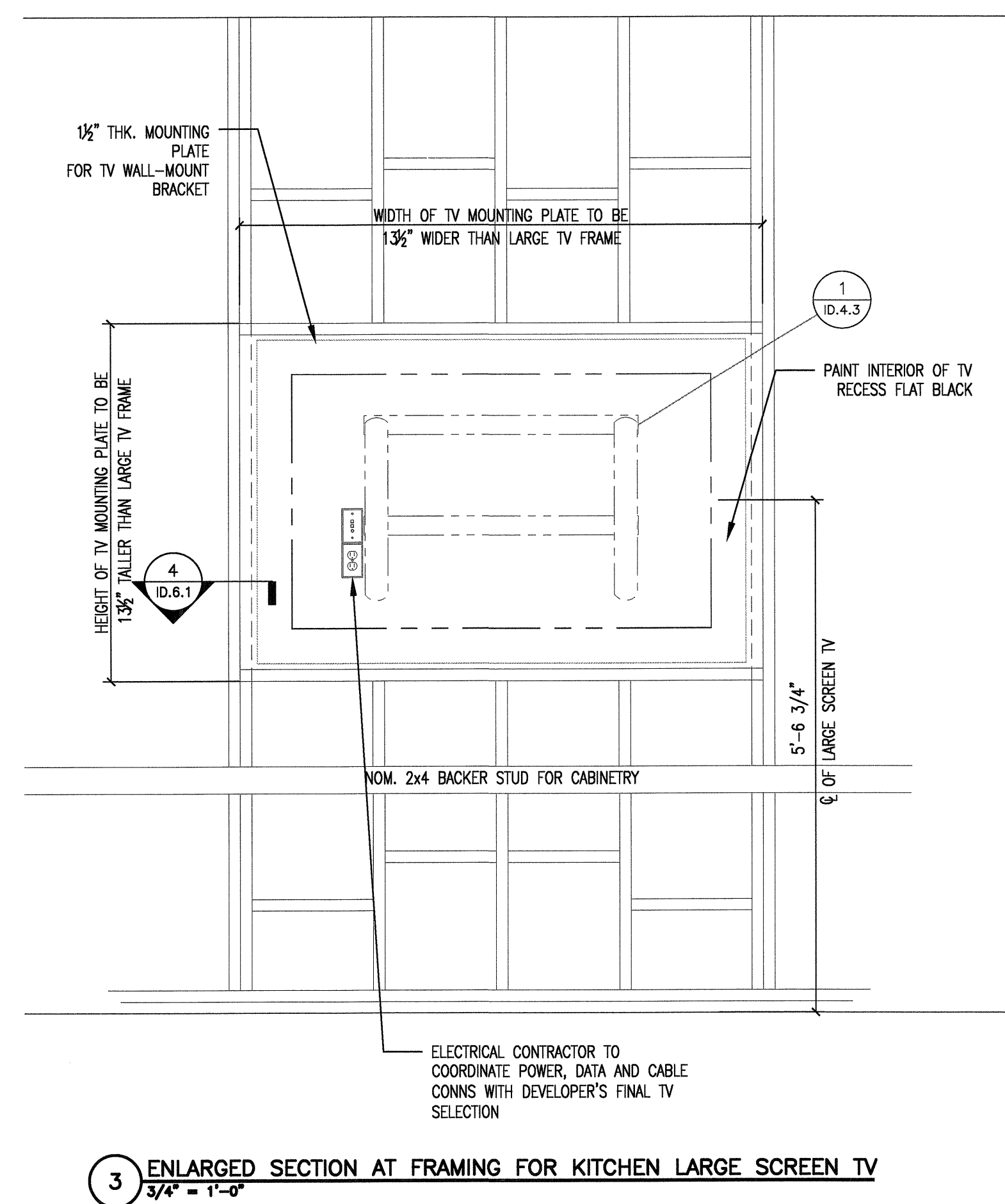
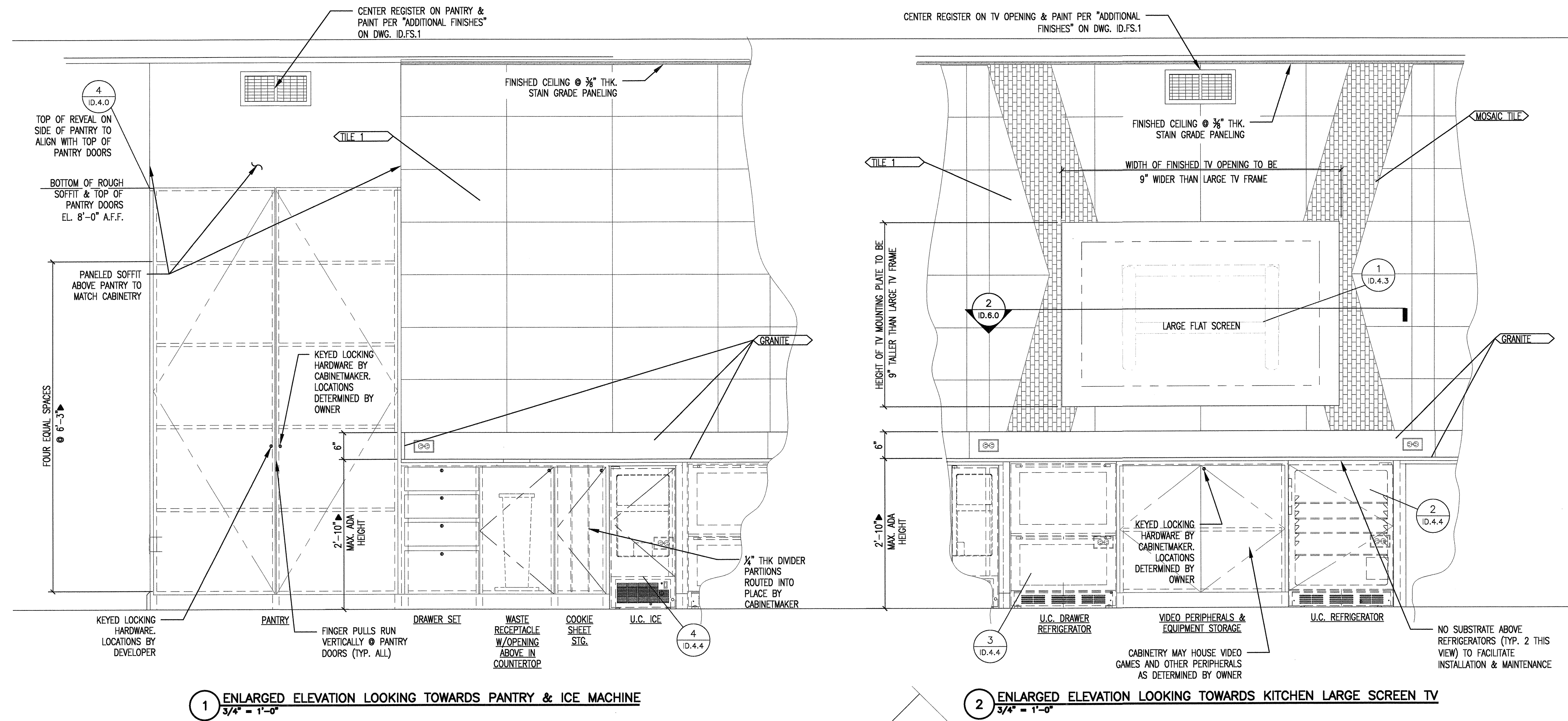
SHEET NO.

ID.6.0

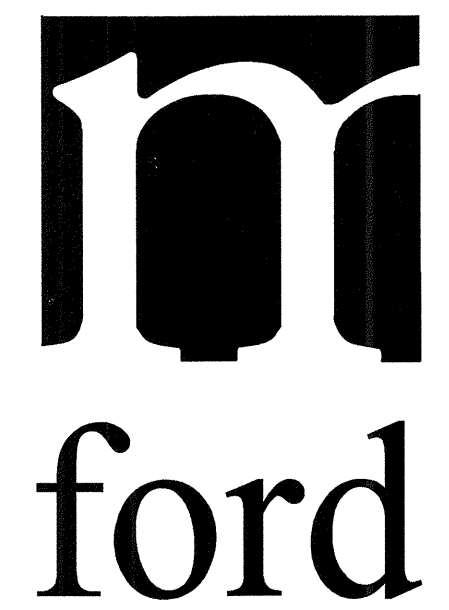
ENLARGED KITCHEN PLAN

REVISED FOR CONSTRUCTION
MAY 16, 2012

ENLARGED KITCHEN ELEVATIONS,
SECTION @ TV RECESS & CORNER DETAIL



△ ADDED FABRICATION DETAILS 5-16-12
© 2012 M. FORD & ASSOCIATES INC.
THIS DOCUMENT IS PUBLISHED AS AN INSTRUMENT OF SERVICE AND IS GIVEN IN CONFIDENCE. IT REMAINS THE PROPERTY OF M. FORD & ASSOCIATES, INC. THIS DOCUMENT, AND THE INFORMATION CONTAINED WITHIN, MAY NOT BE DUPLICATED OR DISCLOSED WITHOUT WRITTEN CONSENT OF M. FORD & ASSOCIATES, INC. HOUSTON, TEXAS



m. ford & associates
interior design
99 deterring street
suite 165
houston, tx 77007
phone 713-630-0800
fax 713-630-0814
mford@mfordassociates.com
www.mfordassociates.com

drawn by:
Queen of the World

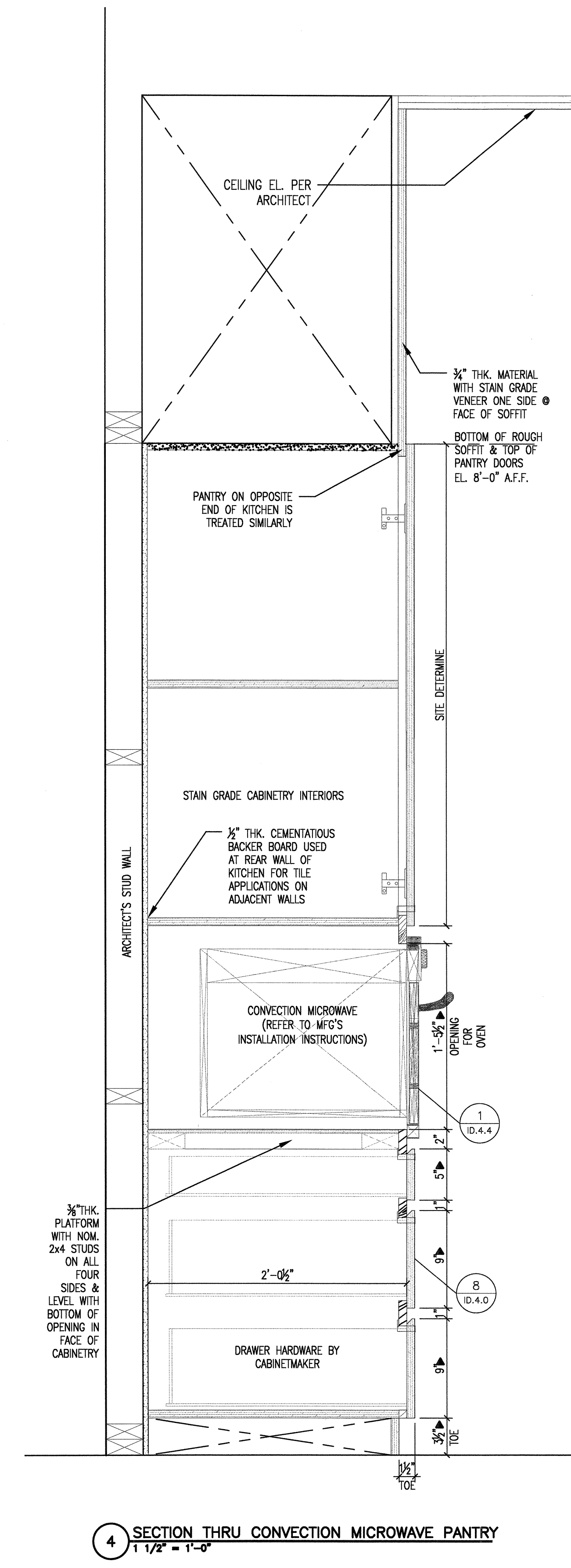
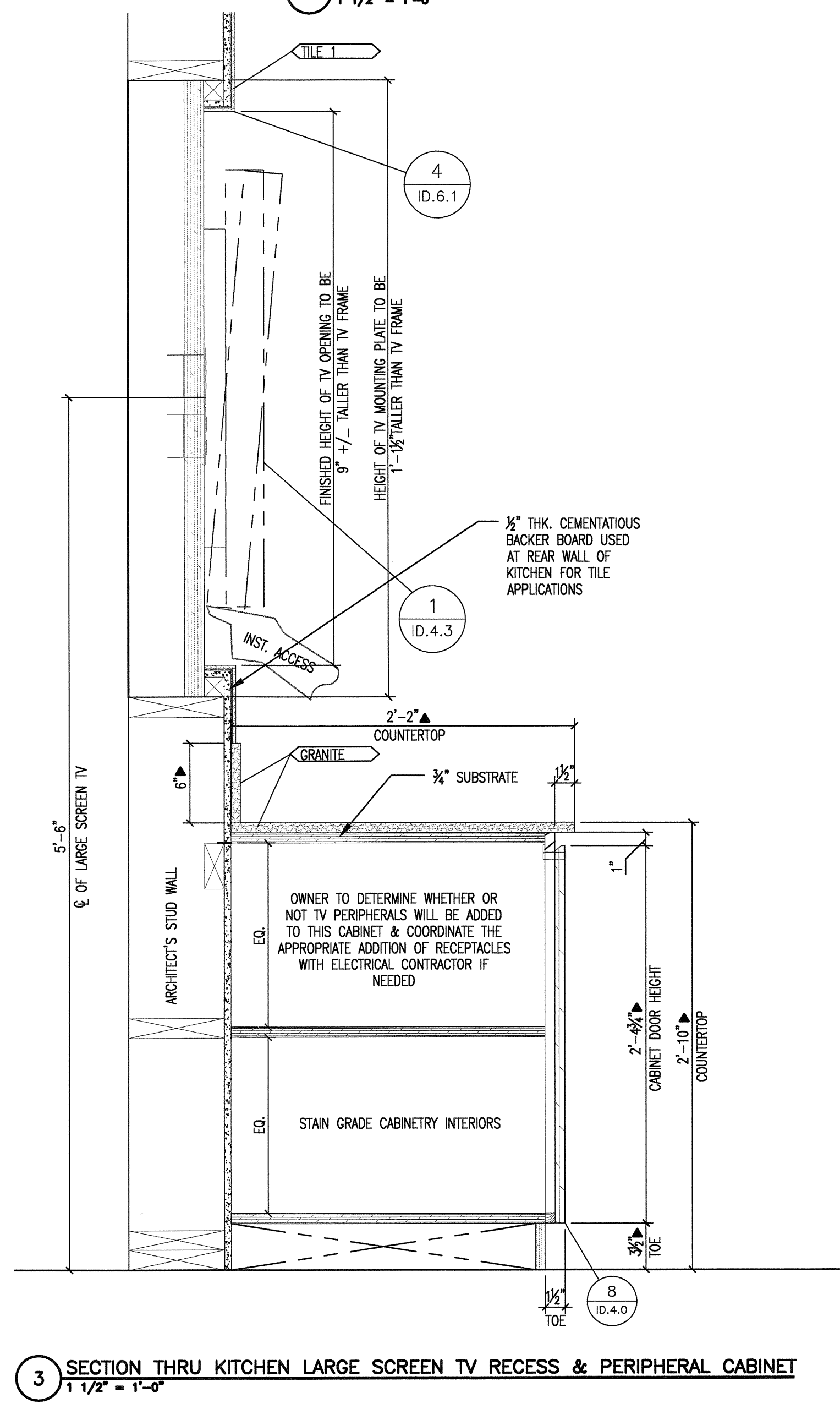
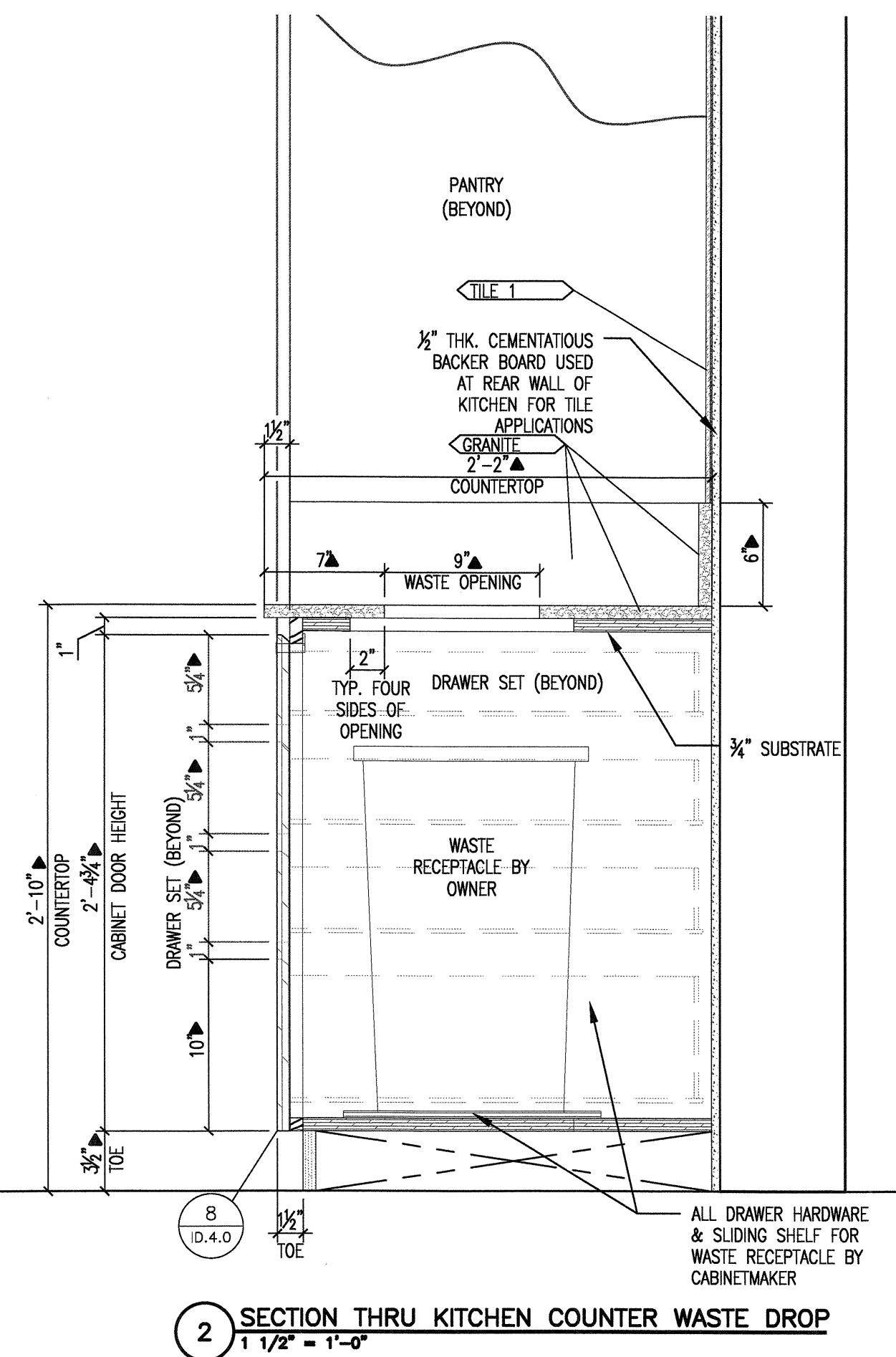
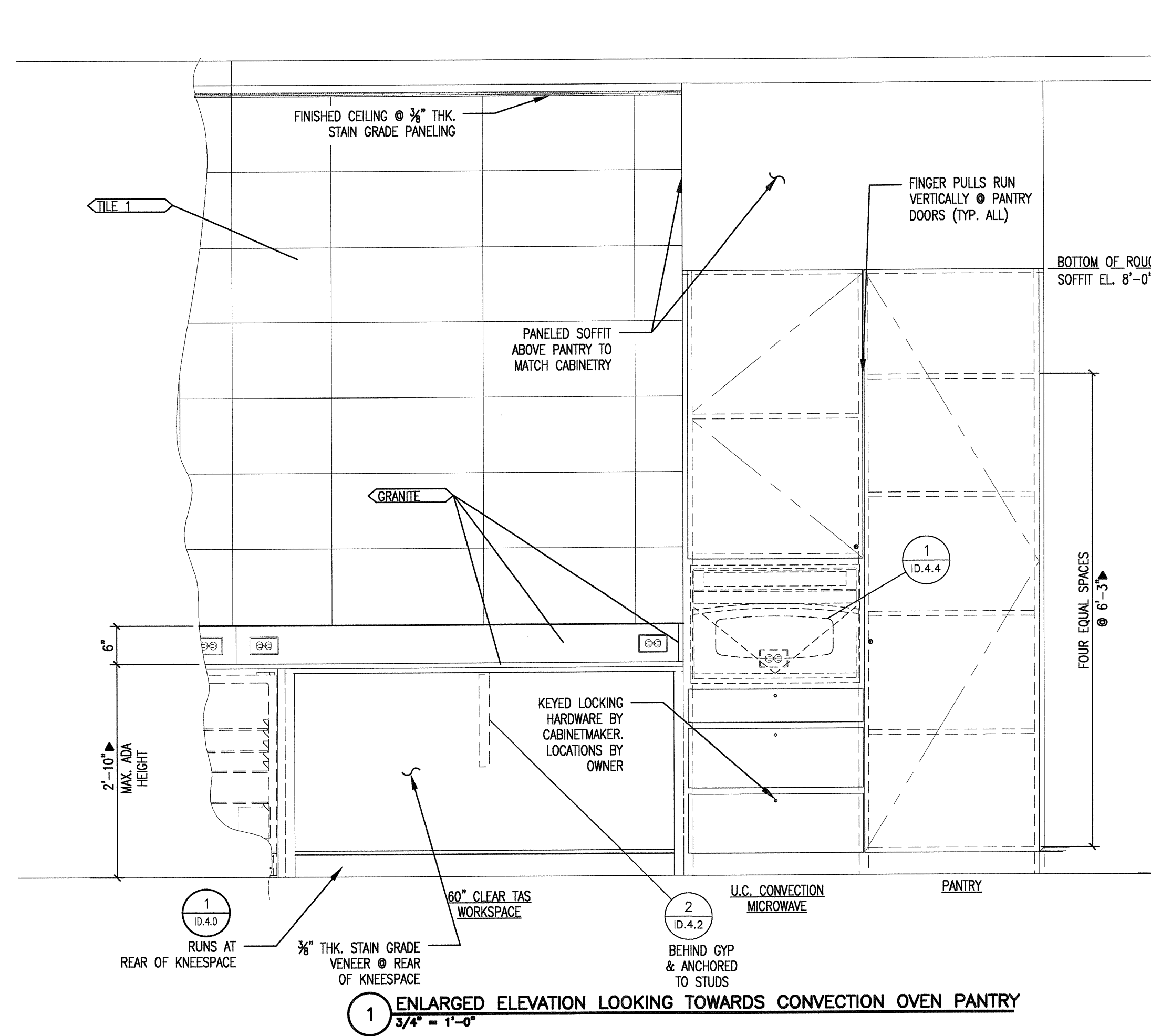
SHEET NO.

ID.6.1

REVISED FOR CONSTRUCTION
MAY 16, 2012

KELLER SPRINGS CLUBHOUSE
ADDISON, TX

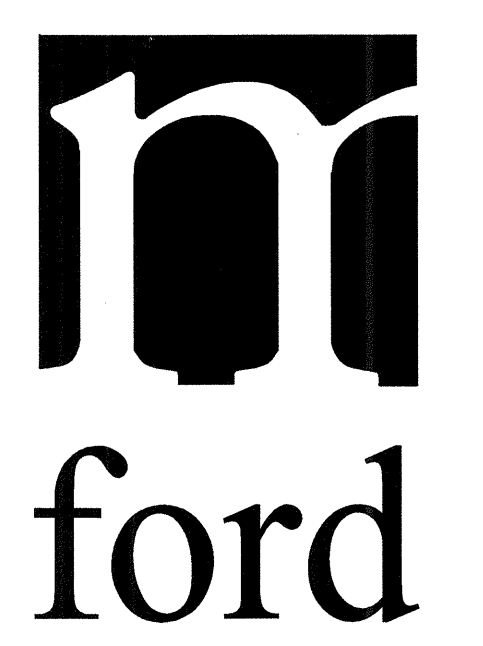
ENLARGED KITCHEN ELEVATION & SECTIONS



ADDED FABRICATION DETAILS 5-16-12

© 2012 M. FORD & ASSOCIATES, INC.

THIS DOCUMENT IS PUBLISHED AS AN INSTRUMENT OF SERVICE AND IS GIVEN IN CONFIDENCE. IT REMAINS THE PROPERTY OF M. FORD & ASSOCIATES, INC. THIS DOCUMENT, AND THE INFORMATION CONTAINED WITHIN MAY NOT BE REPRODUCED OR TRANSMITTED IN ANY FORM OR BY ANY MEANS, ELECTRONIC OR MECHANICAL, INCLUDING PHOTOCOPYING, RECORDING, OR BY ANY INFORMATION STORAGE AND RETRIEVAL SYSTEM, WITHOUT THE WRITTEN CONSENT OF M. FORD & ASSOCIATES, INC. HOUSTON, TEXAS



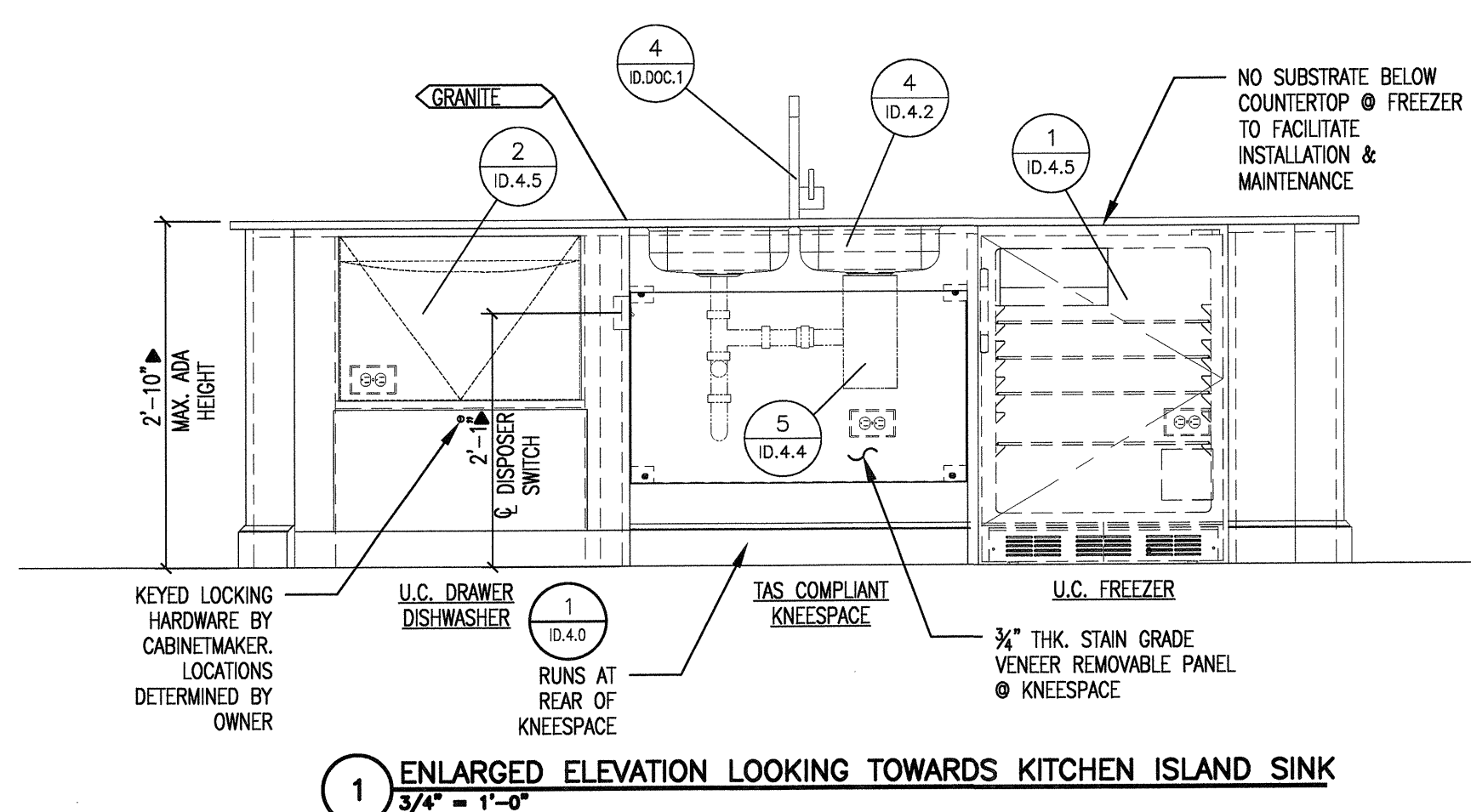
m. ford & associates
interior design
99 deterring street
suite 165
houston, tx 77007
phone 713-630-0800
fax 713-630-0814
mford@mfordassociates.com
www.mfordassociates.com

drawn by: Queen of the World

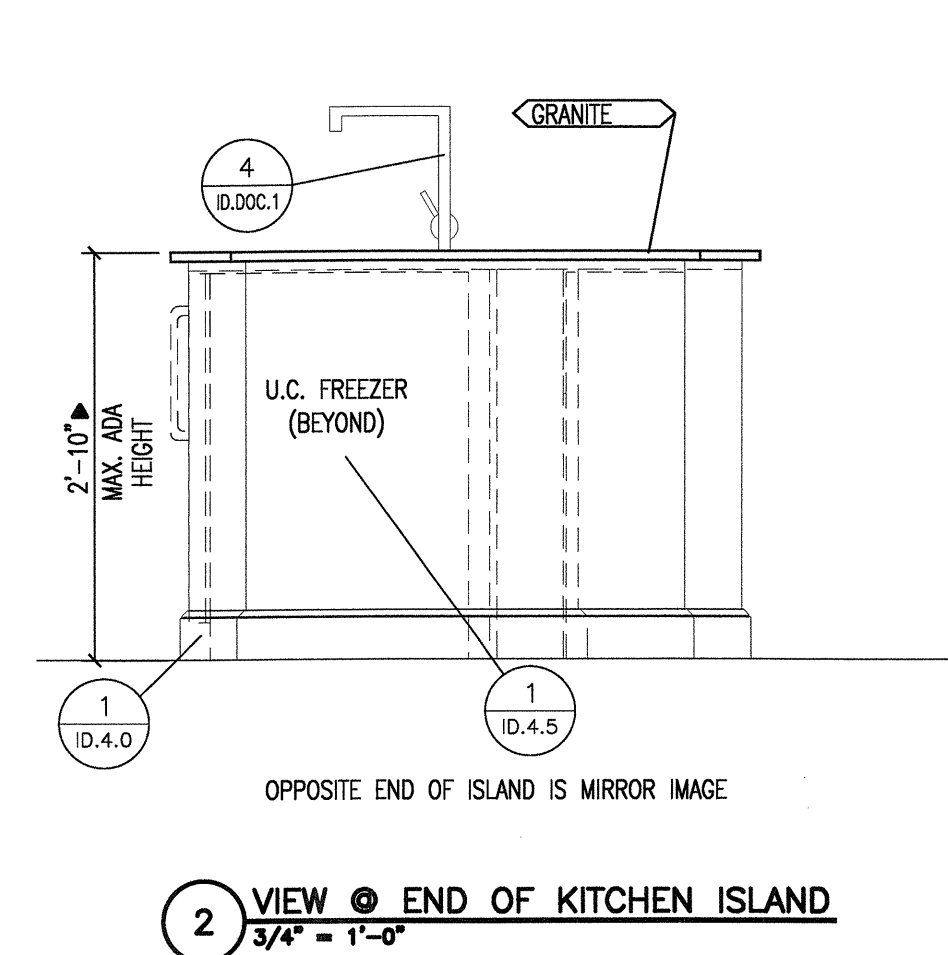
SHEET NO.
ID.6.2

REVISED FOR CONSTRUCTION
MAY 16, 2012

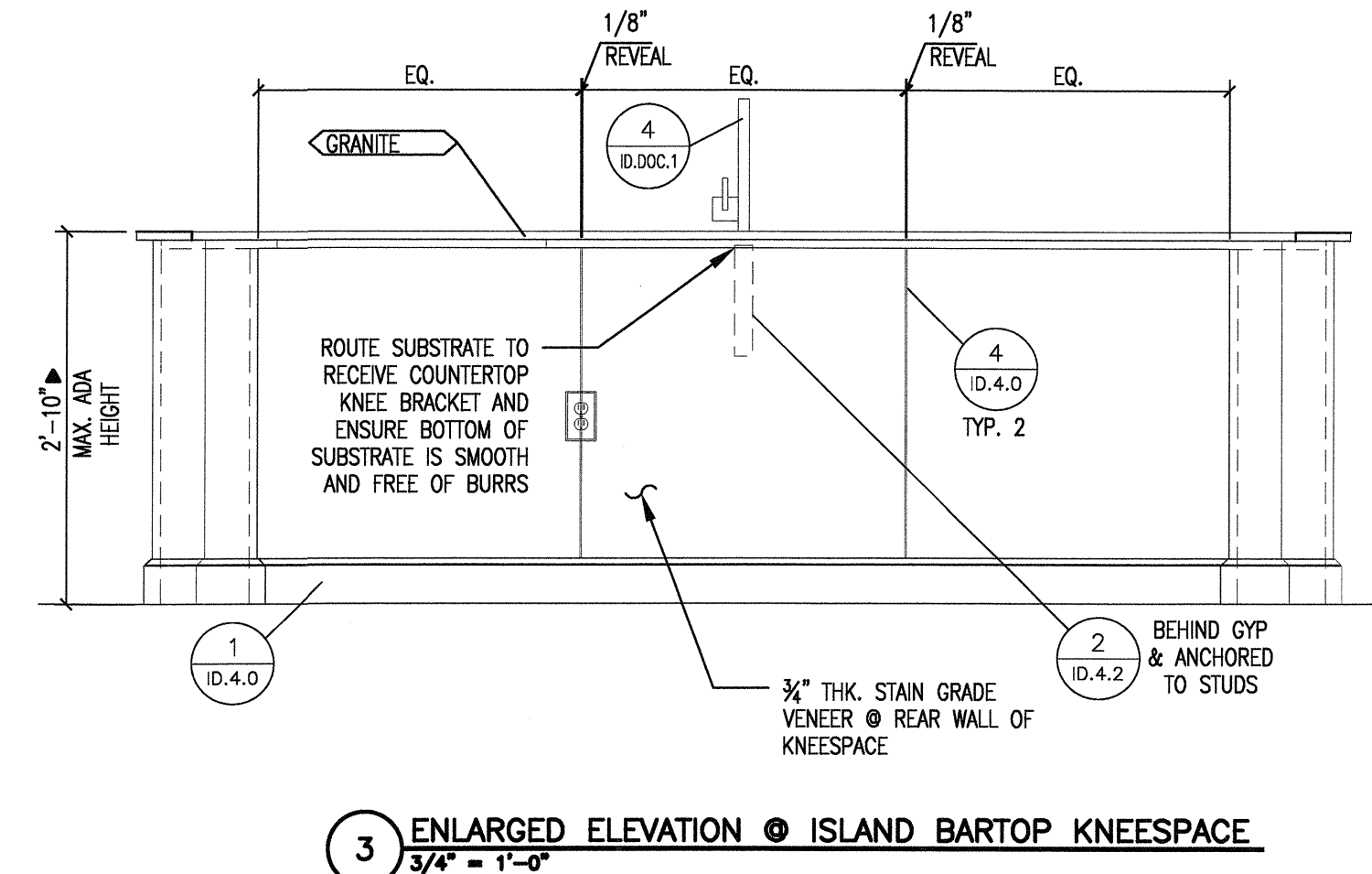
KELLER SPRINGS CLUBHOUSE
ADDISON, TX



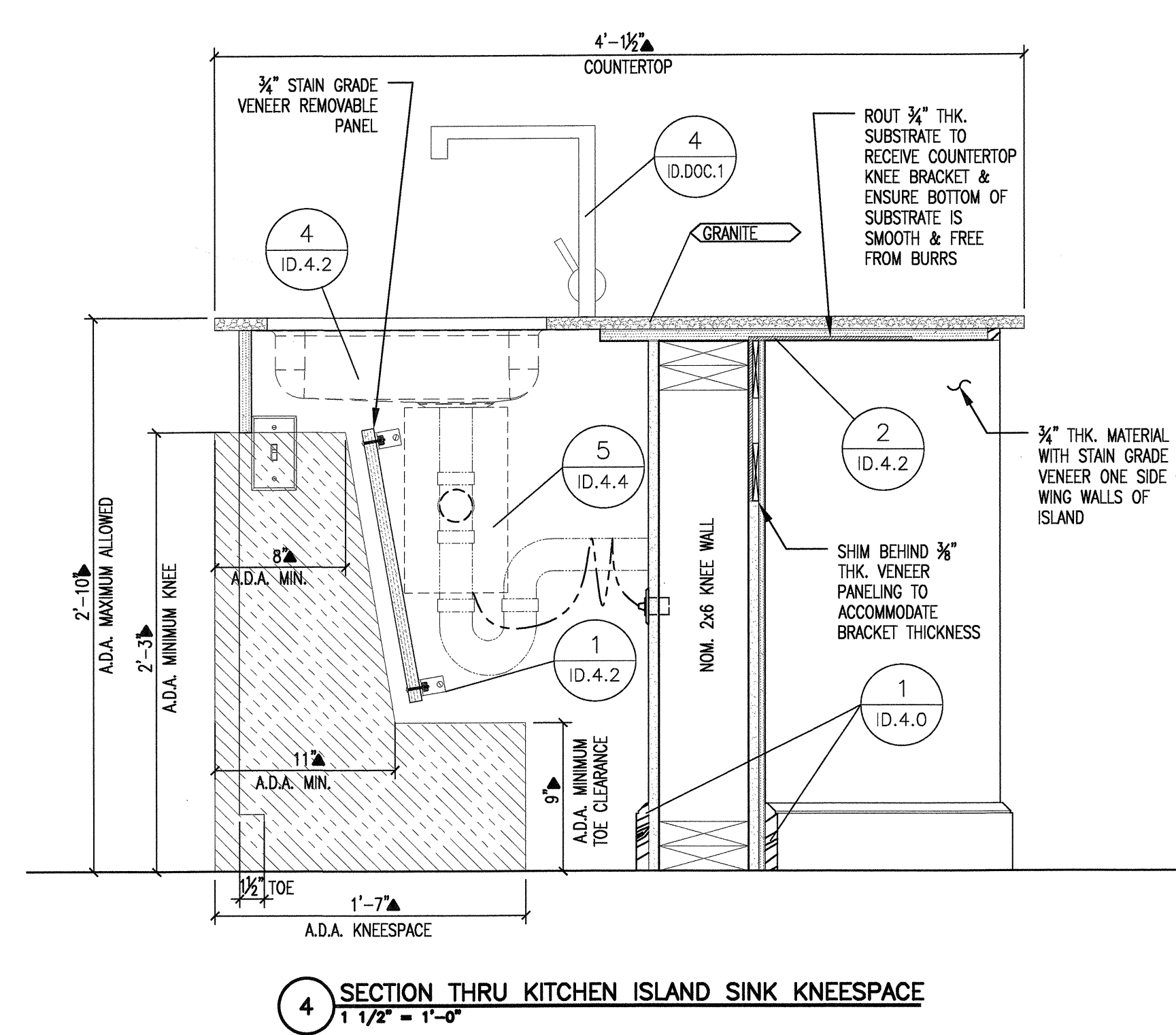
1 ENLARGED ELEVATION LOOKING TOWARDS KITCHEN ISLAND SINK
3/4" = 1'-0"



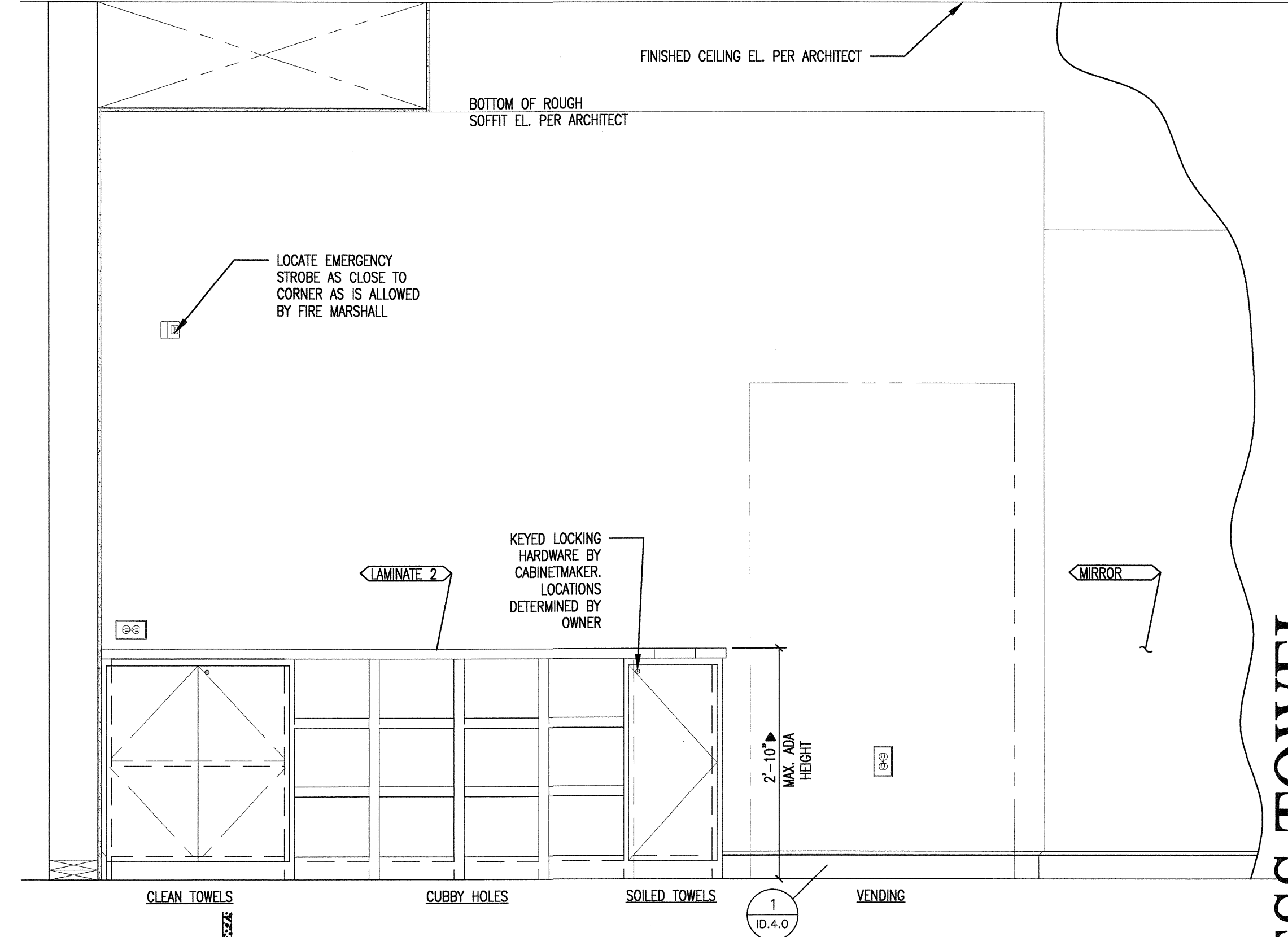
2 VIEW @ END OF KITCHEN ISLAND
3/4" = 1'-0"



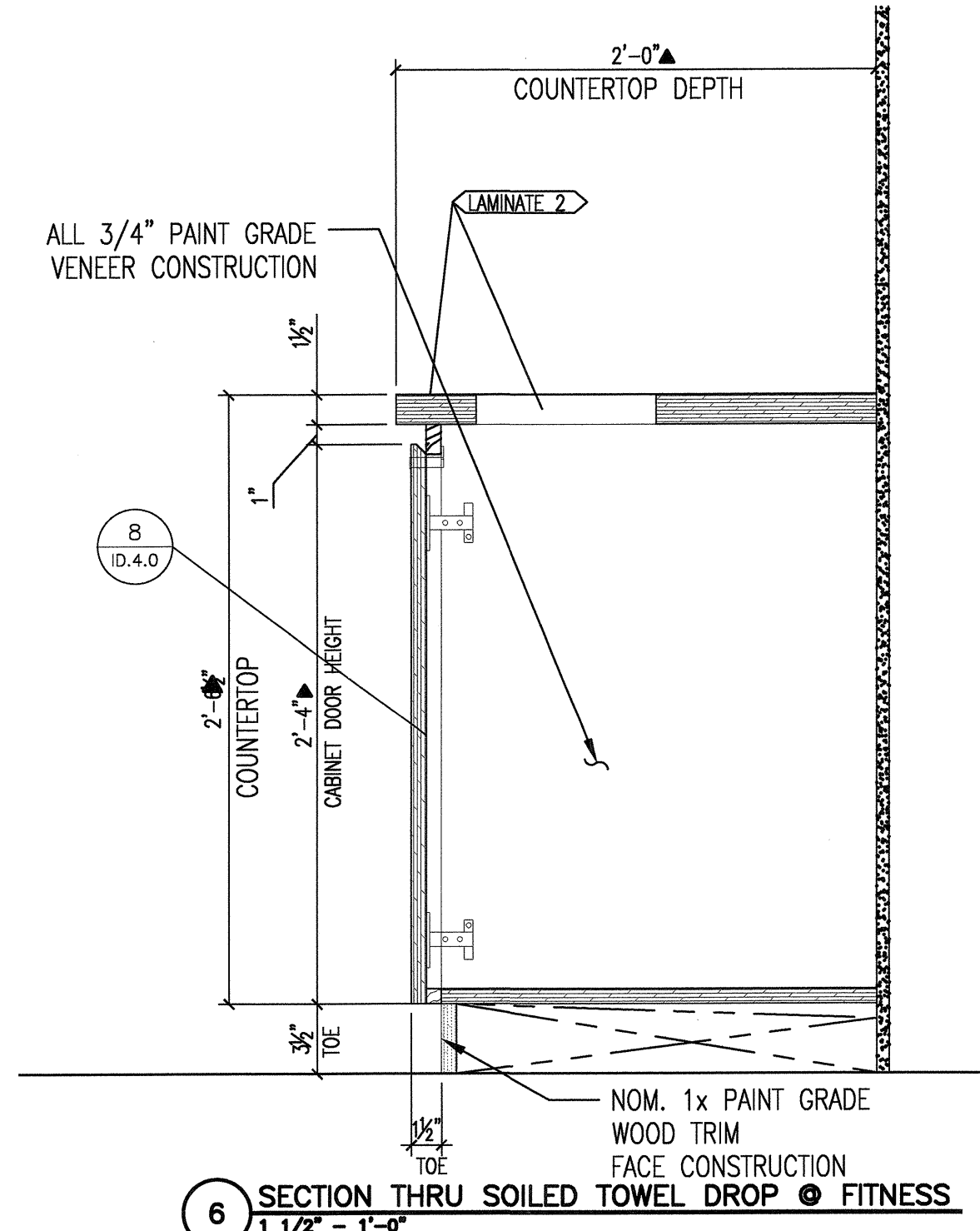
3 ENLARGED ELEVATION @ ISLAND BARTOP KNEESPACE
3/4" = 1'-0"



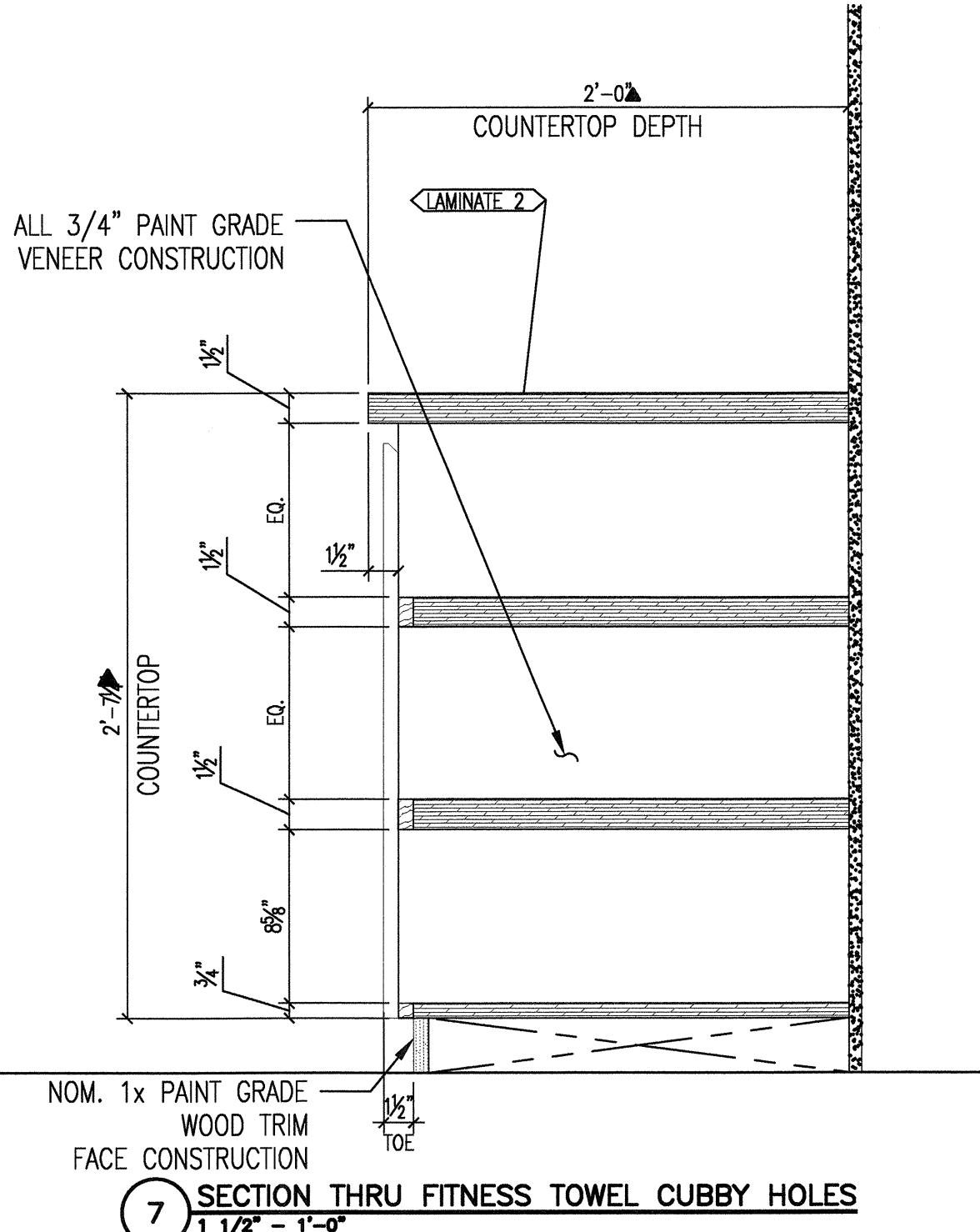
4 SECTION THRU KITCHEN ISLAND SINK KNEESPACE
1 1/2" = 1'-0"



5 ELEVATION LOOKING TOWARDS FITNESS CABINERY/VENDING
3/4" = 1'-0"



6 SECTION THRU SOILED TOWEL DROP @ FITNESS
1 1/2" = 1'-0"



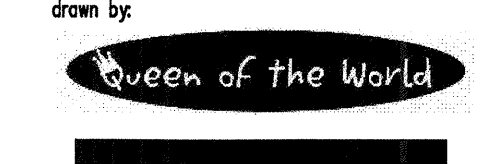
7 SECTION THRU FITNESS TOWEL CUBBY HOLES
1 1/2" = 1'-0"

KITCHEN ISLAND & FITNESS TOWEL CABINERY ELEVATIONS & SECTIONS

ADDED FABRICATION DETAILS 5-16-12
© 2012 M. FORD & ASSOCIATES INC.
THIS DOCUMENT IS PUBLISHED AS AN INSTRUMENT OF SERVICE AND IS GIVEN IN CONFIDENCE. IT REMAINS THE PROPERTY OF M. FORD & ASSOCIATES, INC. THIS DOCUMENT AND THE INFORMATION CONTAINED WITHIN MAY NOT BE REPRODUCED OR DISCLOSED WITHOUT WRITTEN CONSENT OF M. FORD & ASSOCIATES, INC. HOUSTON, TEXAS



m. ford & associates
interior design
99 detering street
suite 165
houston, tx 77007
phone 713-630-0800
fax 713-630-0814
mford@mfordassociates.com
www.mfordassociates.com

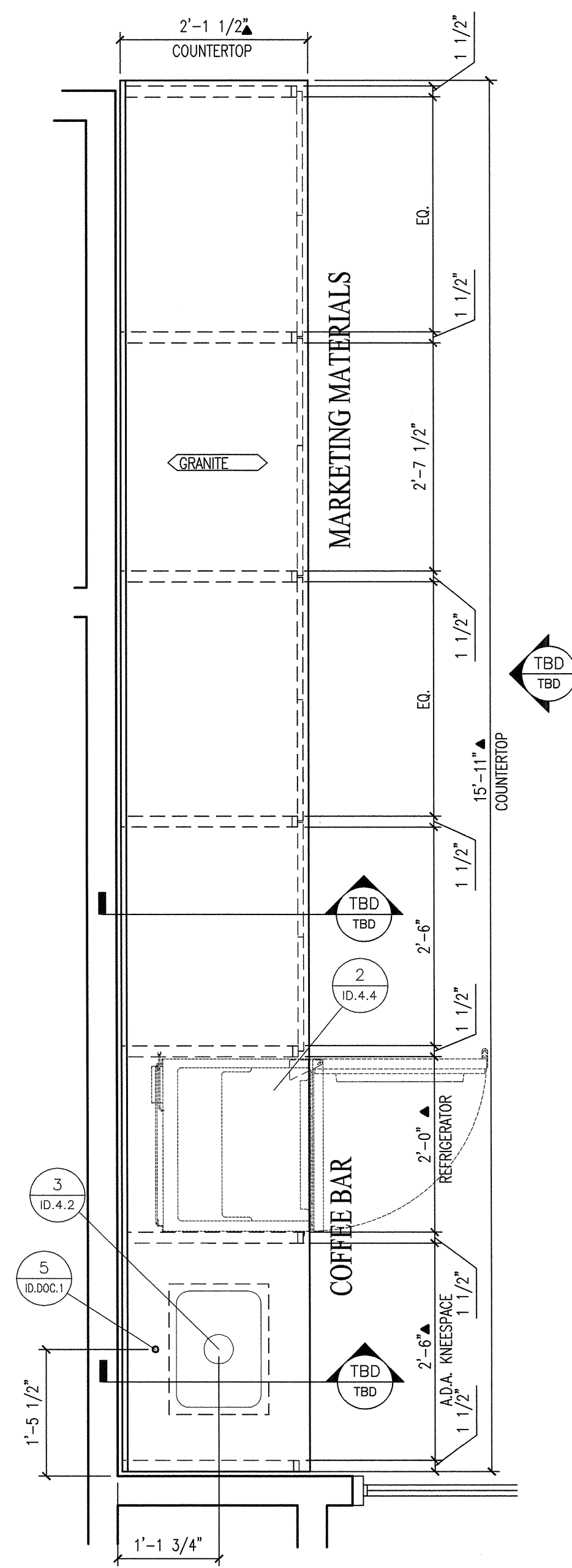


SHEET NO.

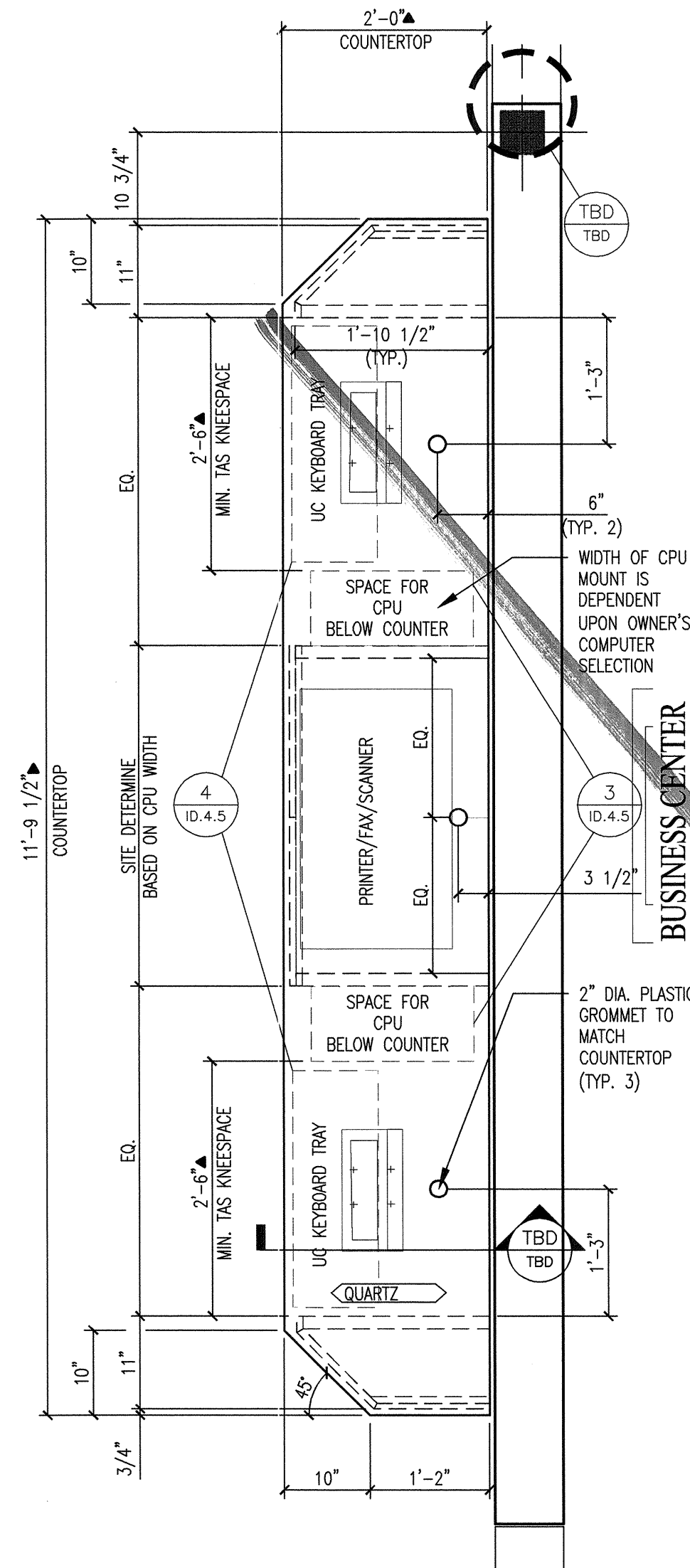
ID.6.3

KELLER SPRINGS CLUBHOUSE
ADDISON, TX

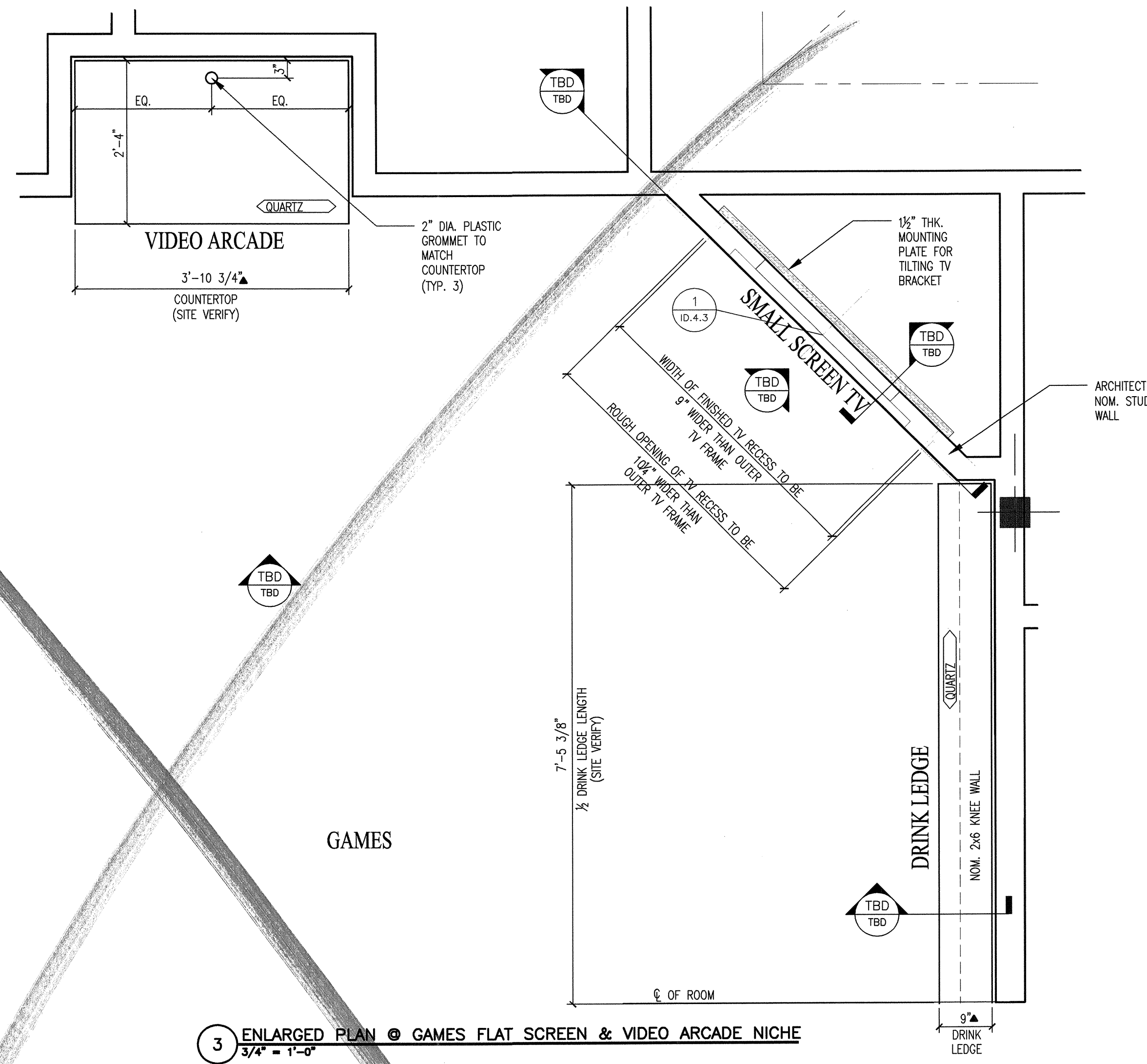
ISSUED FOR CONSTRUCTION
APRIL 23, 2012



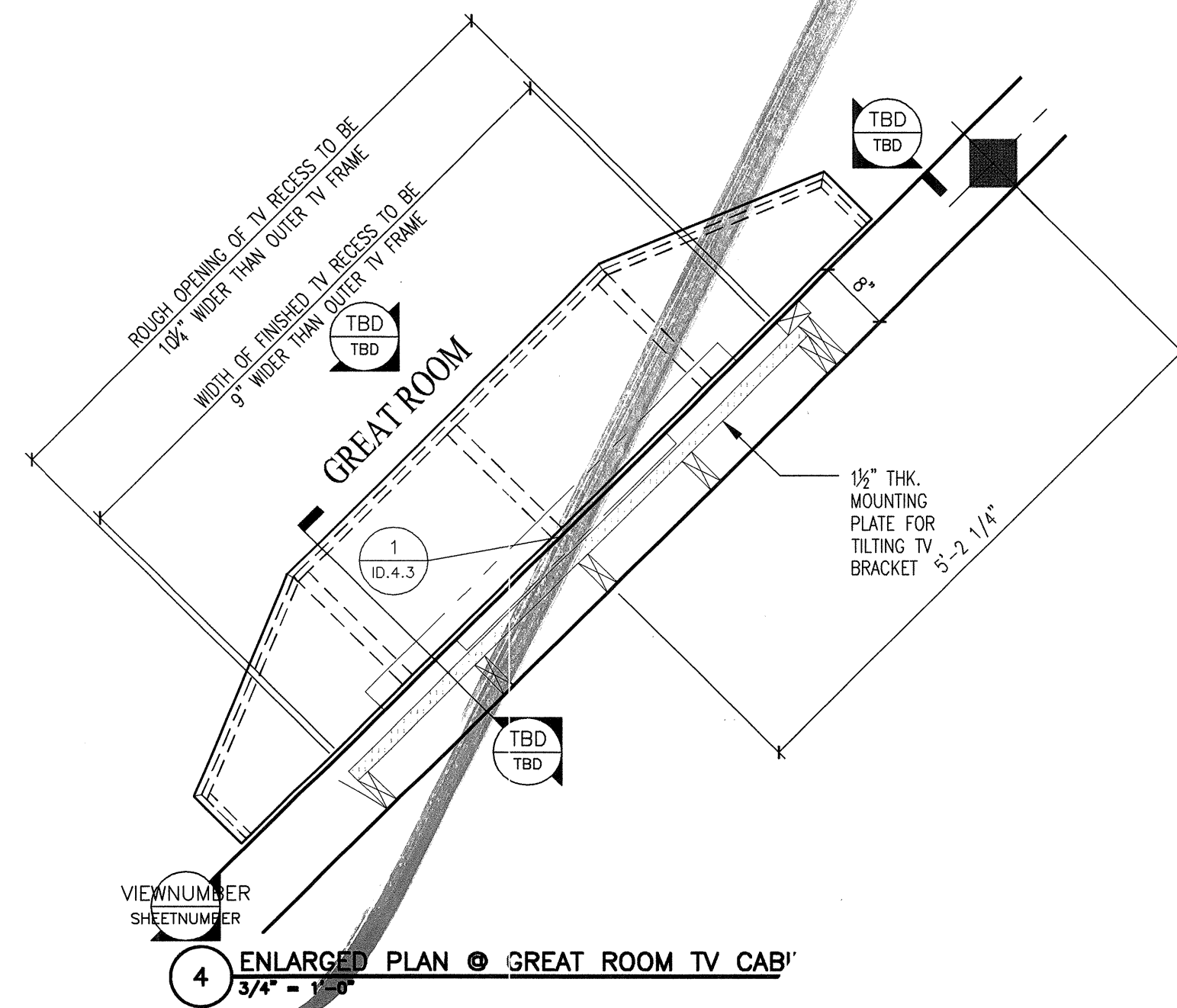
1 ENLARGED PLAN @ COFFEE BAR & MARKETING CABINET
3/4" = 1'-0"



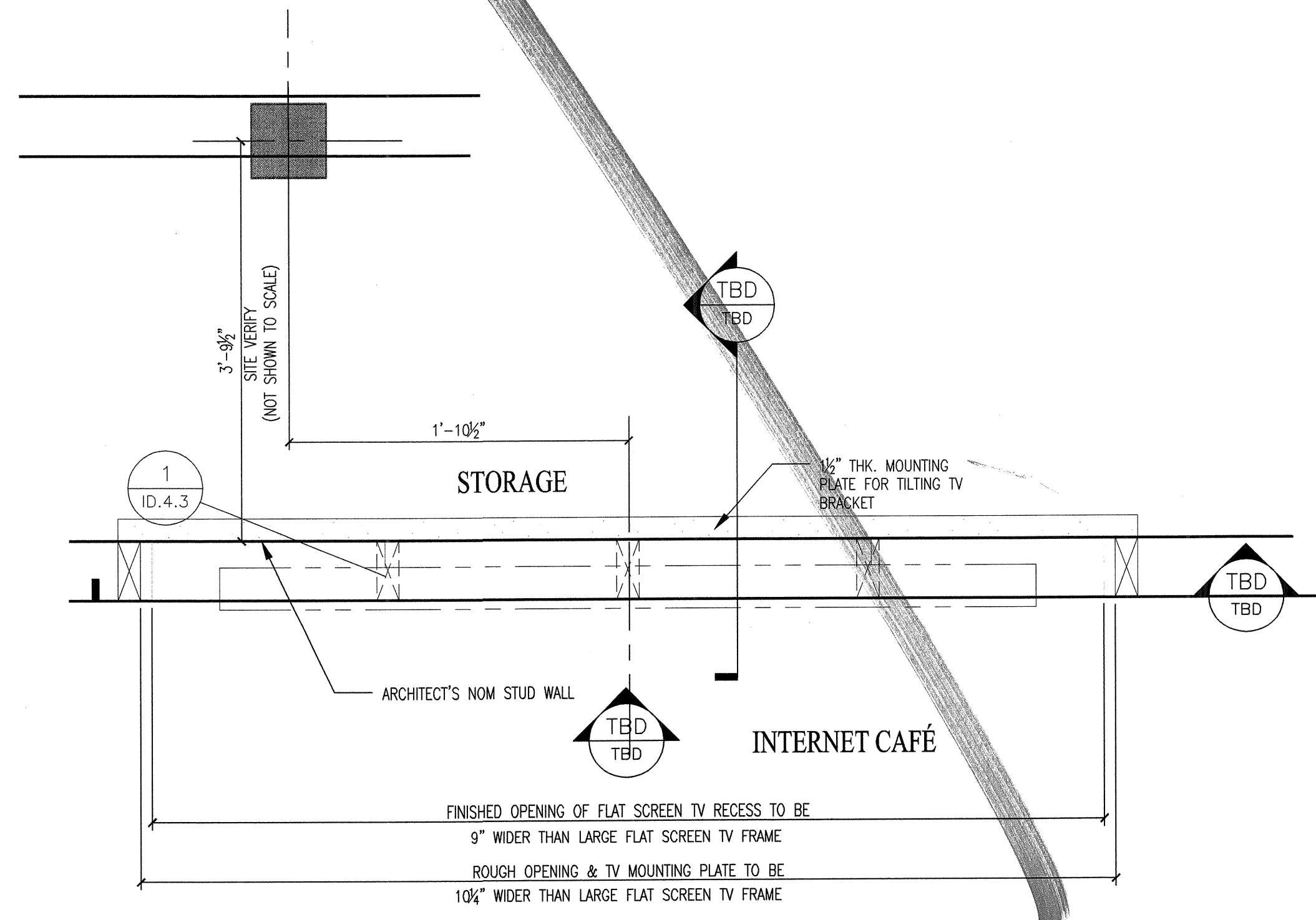
2 ENLARGED PLAN @ BUSINESS CENTER
3/4" = 1'-0"



3 ENLARGED PLAN @ GAMES FLAT SCREEN & VIDEO ARCADE NICHE
3/4" = 1'-0"



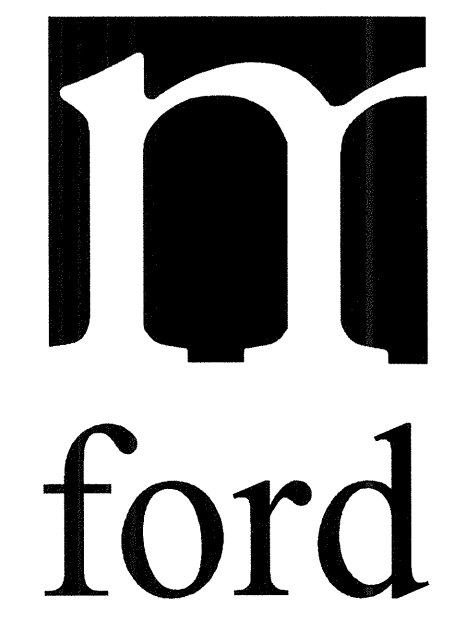
4 ENLARGED PLAN @ GREAT ROOM TV CABINET
3/4" = 1'-0"



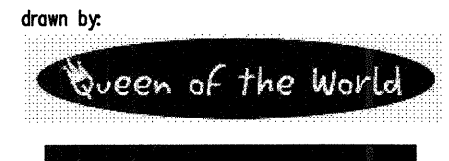
5 ENLARGED PLAN @ INTERNET CAFE LARGE FLAT SCREEN TV
1 1/2" = 1'-0"

MISC. ENLARGED PLANS

© 2012 M. FORD & ASSOCIATES, INC.
THIS DOCUMENT IS PUBLISHED AS AN INSTRUMENT OF SERVICE AND IS GIVEN IN CONFIDENCE. IT REMAINS THE PROPERTY OF M. FORD & ASSOCIATES, INC. THIS DOCUMENT, AND THE INFORMATION CONTAINED WITHIN MAY NOT BE DUPLICATED OR DISCLOSED WITHOUT WRITTEN CONSENT OF M. FORD & ASSOCIATES, INC. HOUSTON, TEXAS



m. ford & associates
interior design
99 deterring street
suite 165
houston, tx 77007
phone 713-630-0800
fax 713-630-0814
mford@mfordassociates.com
www.mfordassociates.com

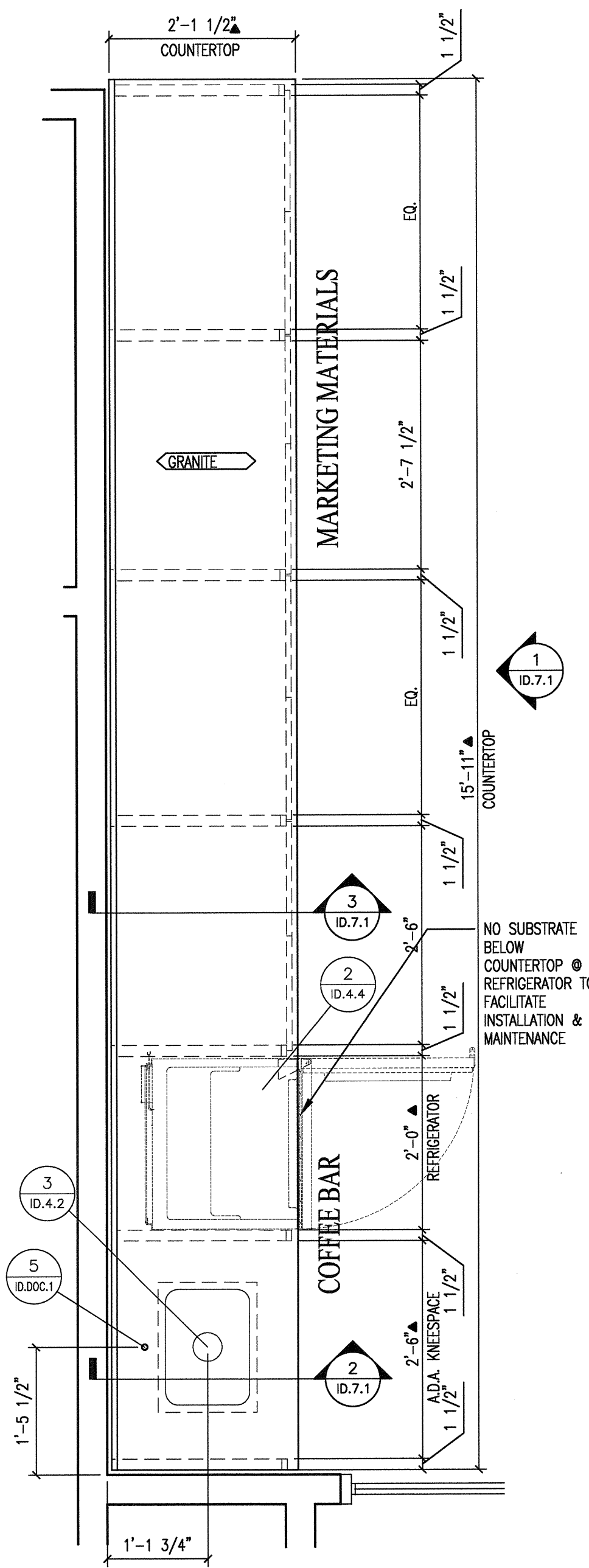


SHEET NO.

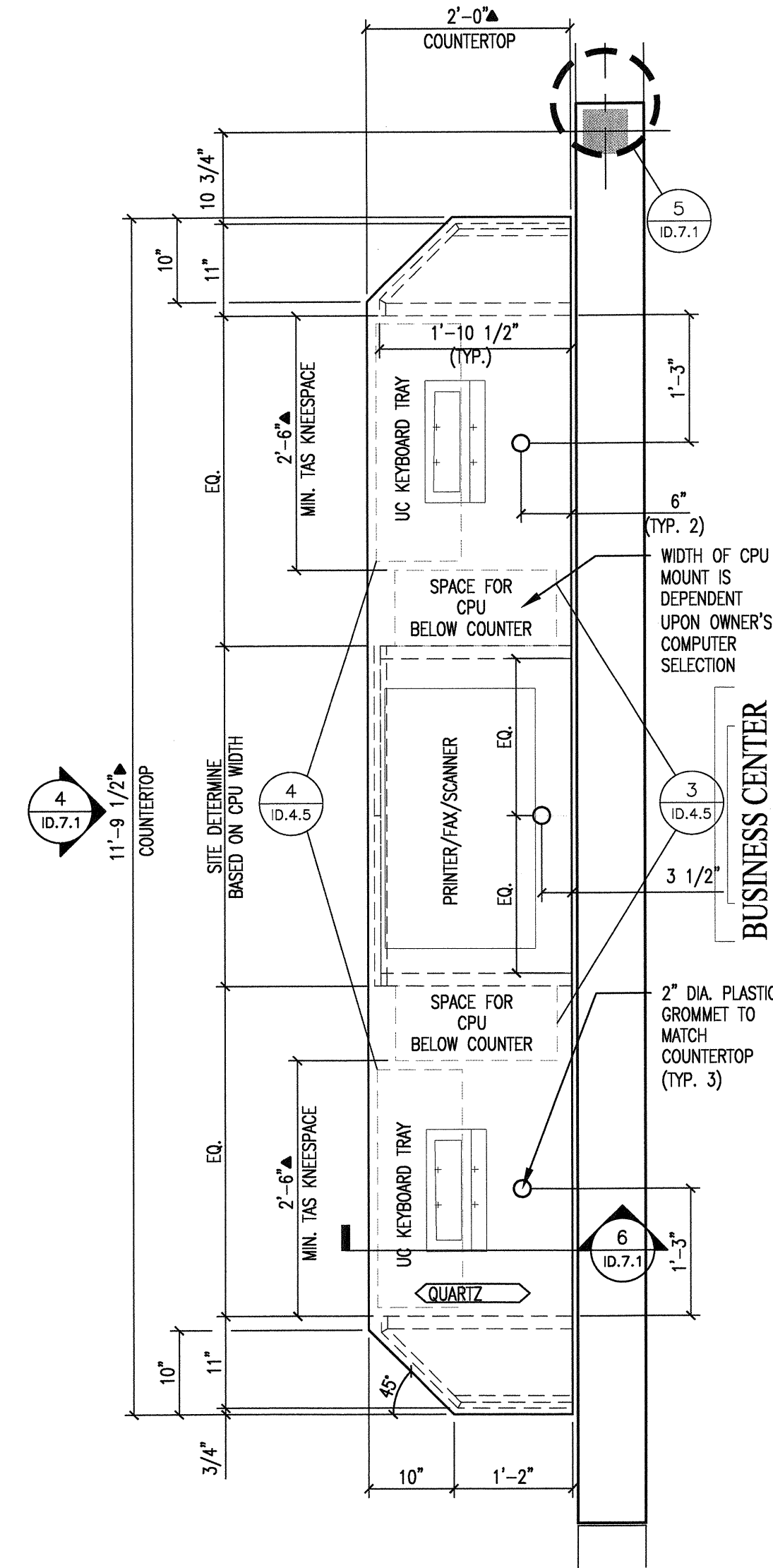
ID.7.0

REVISED FOR CONSTRUCTION
MAY 16, 2012

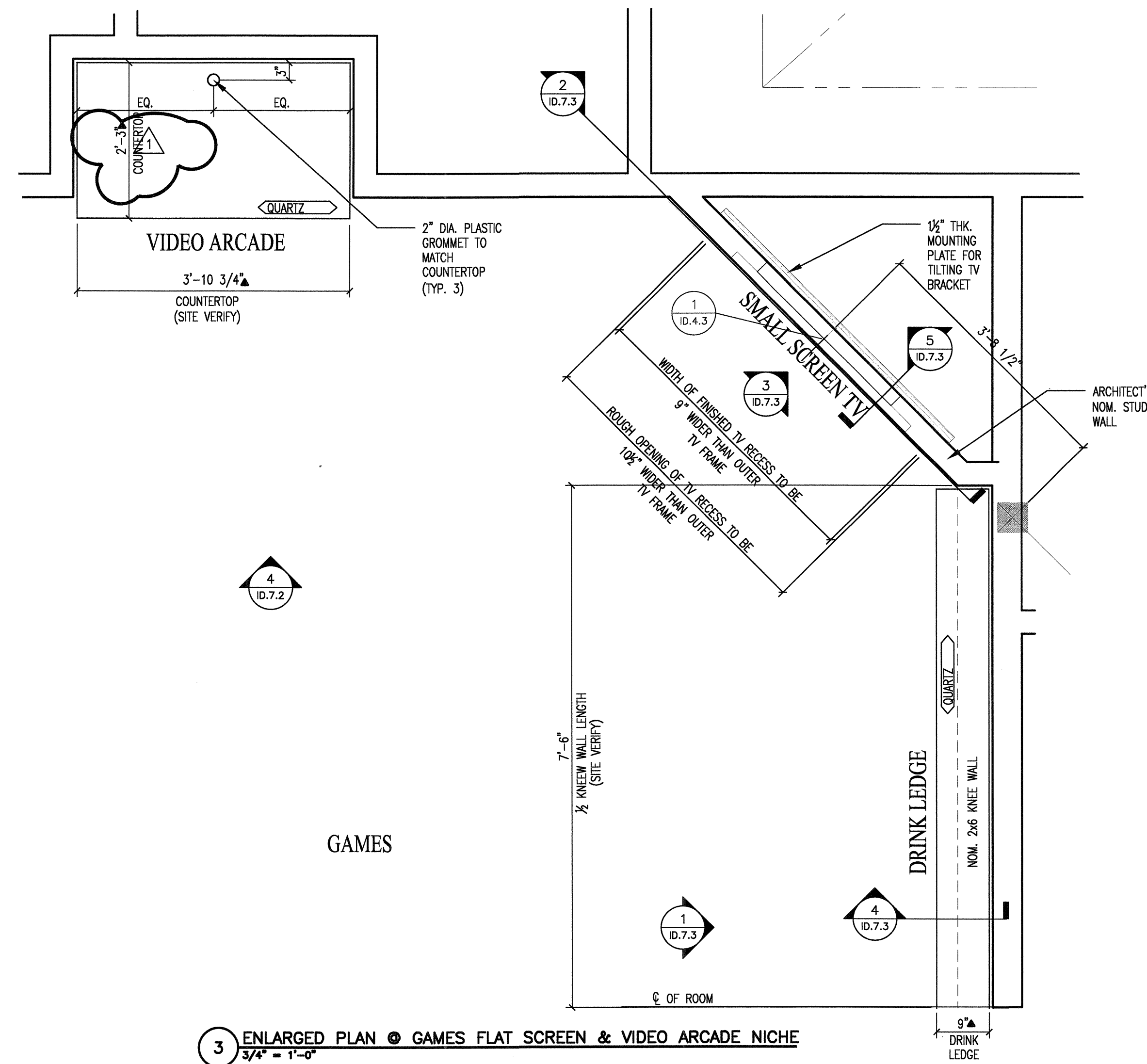
KELLER SPRINGS CLUBHOUSE
ADDISON, TX



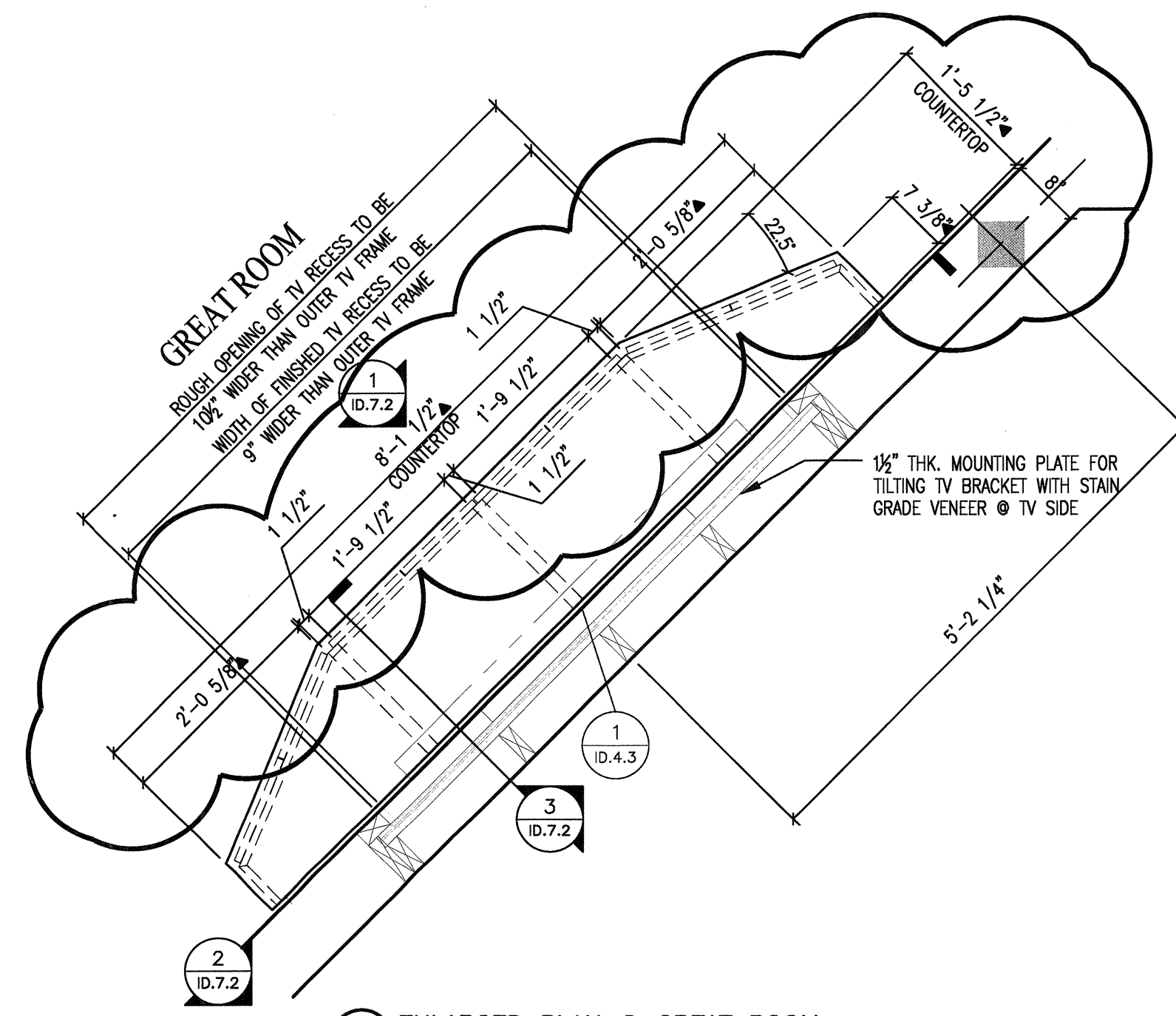
1 ENLARGED PLAN • COFFEE BAR & MARKETING CABINET
3/4" = 1'-0"



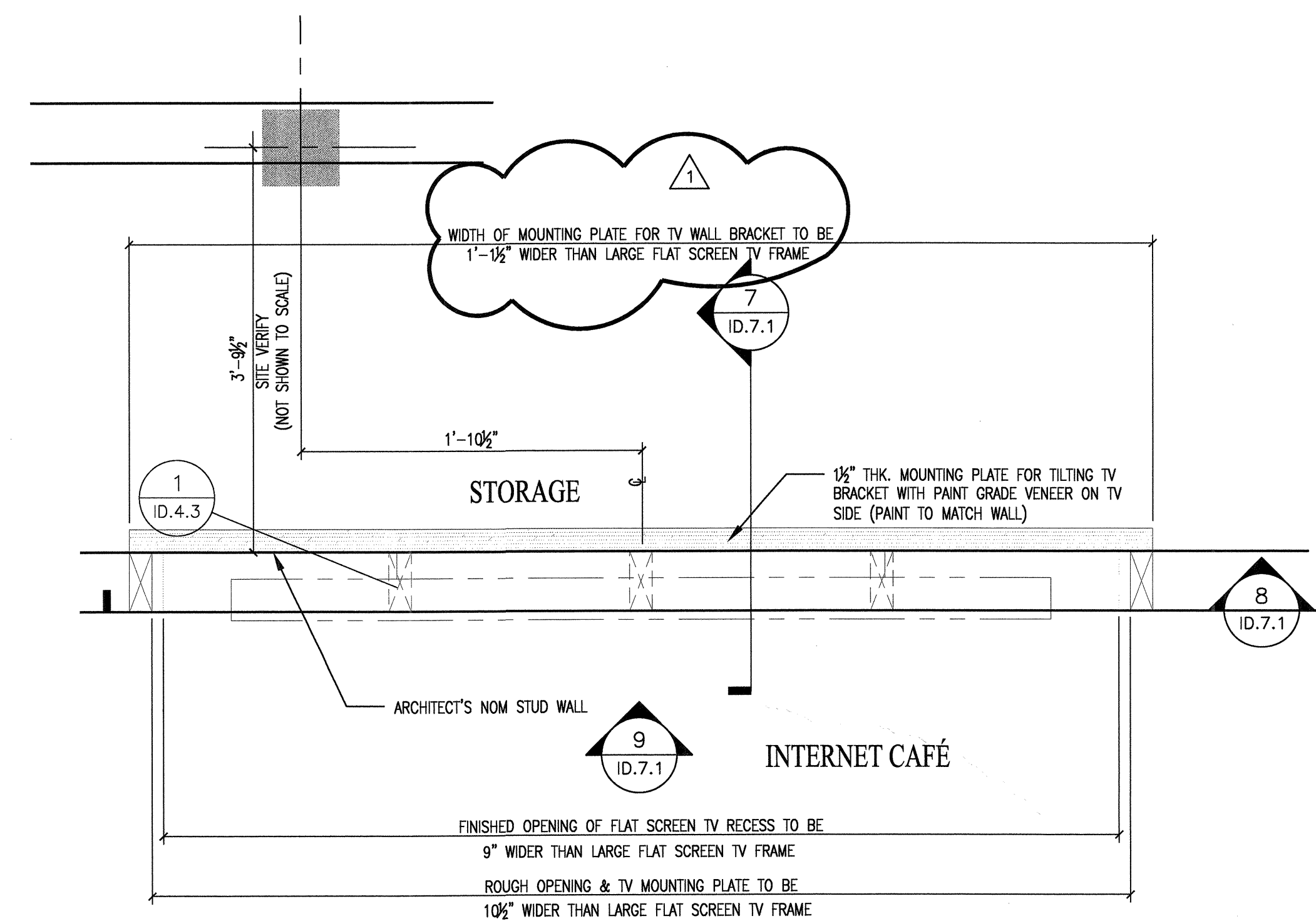
2 ENLARGED PLAN • BUSINESS CENTER
3/4" = 1'-0"



3 ENLARGED PLAN • GAMES FLAT SCREEN & VIDEO ARCADE NICHE
3/4" = 1'-0"



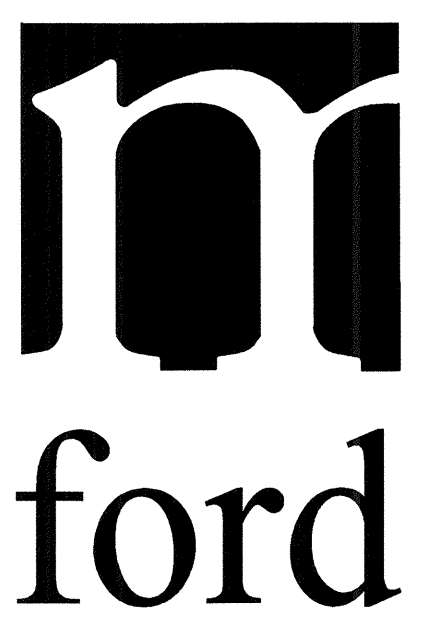
4 ENLARGED PLAN • GREAT ROOM
3/4" = 1'-0"



5 ENLARGED PLAN • INTERNET CAFE LARGE FLAT SCREEN TV
1 1/2" = 1'-0"

1 ADDED FABRICATION DETAILS 5-16-12

© 2012 M. FORD & ASSOCIATES INC.
THIS DOCUMENT IS PUBLISHED AS AN INSTRUMENT OF SERVICE AND IS GIVEN IN CONFIDENCE. IT REMAINS THE PROPERTY OF M. FORD & ASSOCIATES, INC. THIS DOCUMENT, AND THE INFORMATION CONTAINED WITHIN MAY NOT BE DUPLICATED OR DISCLOSED WITHOUT WRITTEN CONSENT OF M. FORD & ASSOCIATES, INC., HOUSTON, TEXAS



m. ford & associates
interior design
99 detersing street
suite 165
houston, tx 77007
phone 713-630-0800
fax 713-630-0814
mford@mfordassociates.com
www.mfordassociates.com

drawn by: Queen of the World

SHEET NO.

ID.7.0

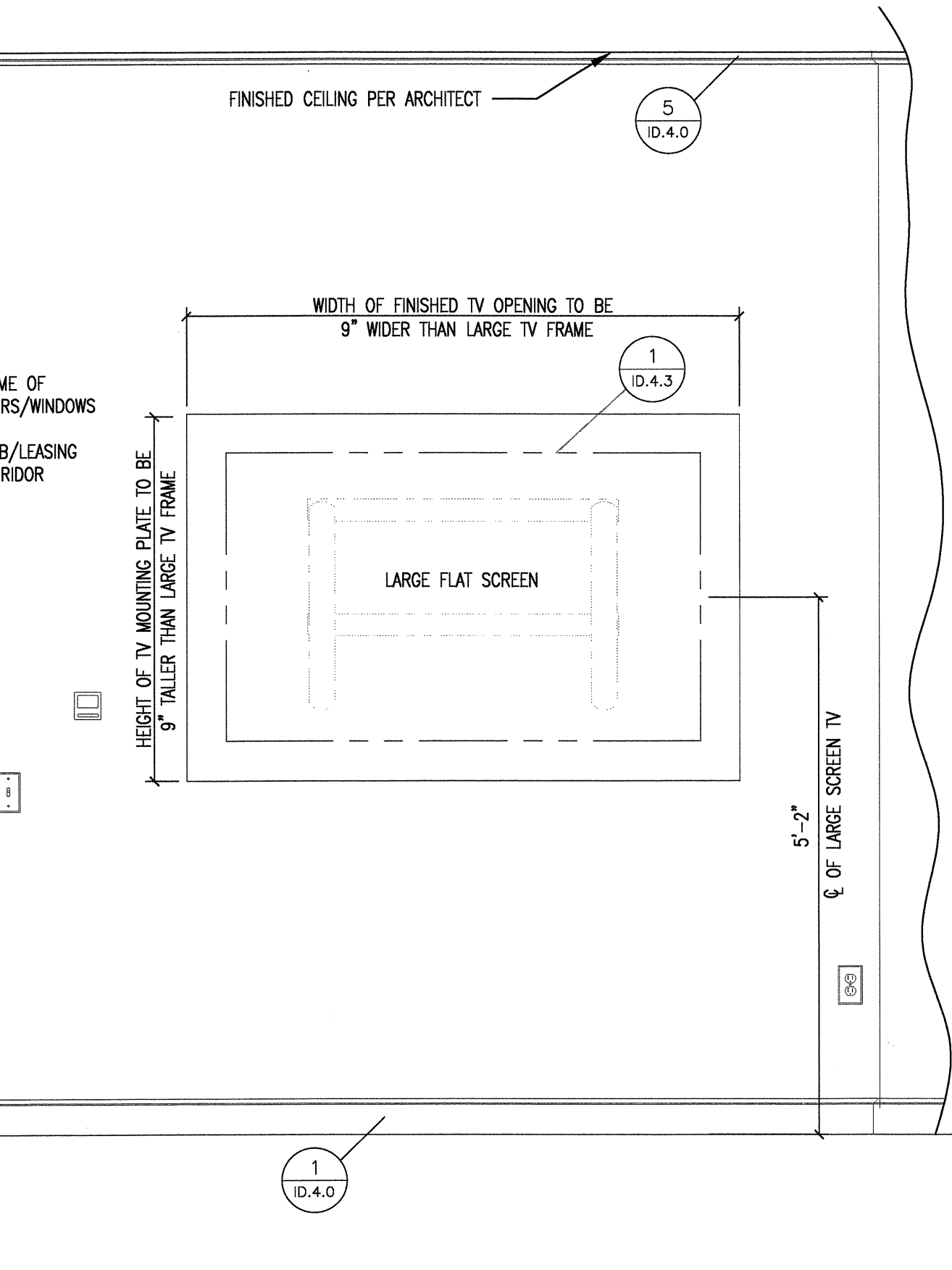
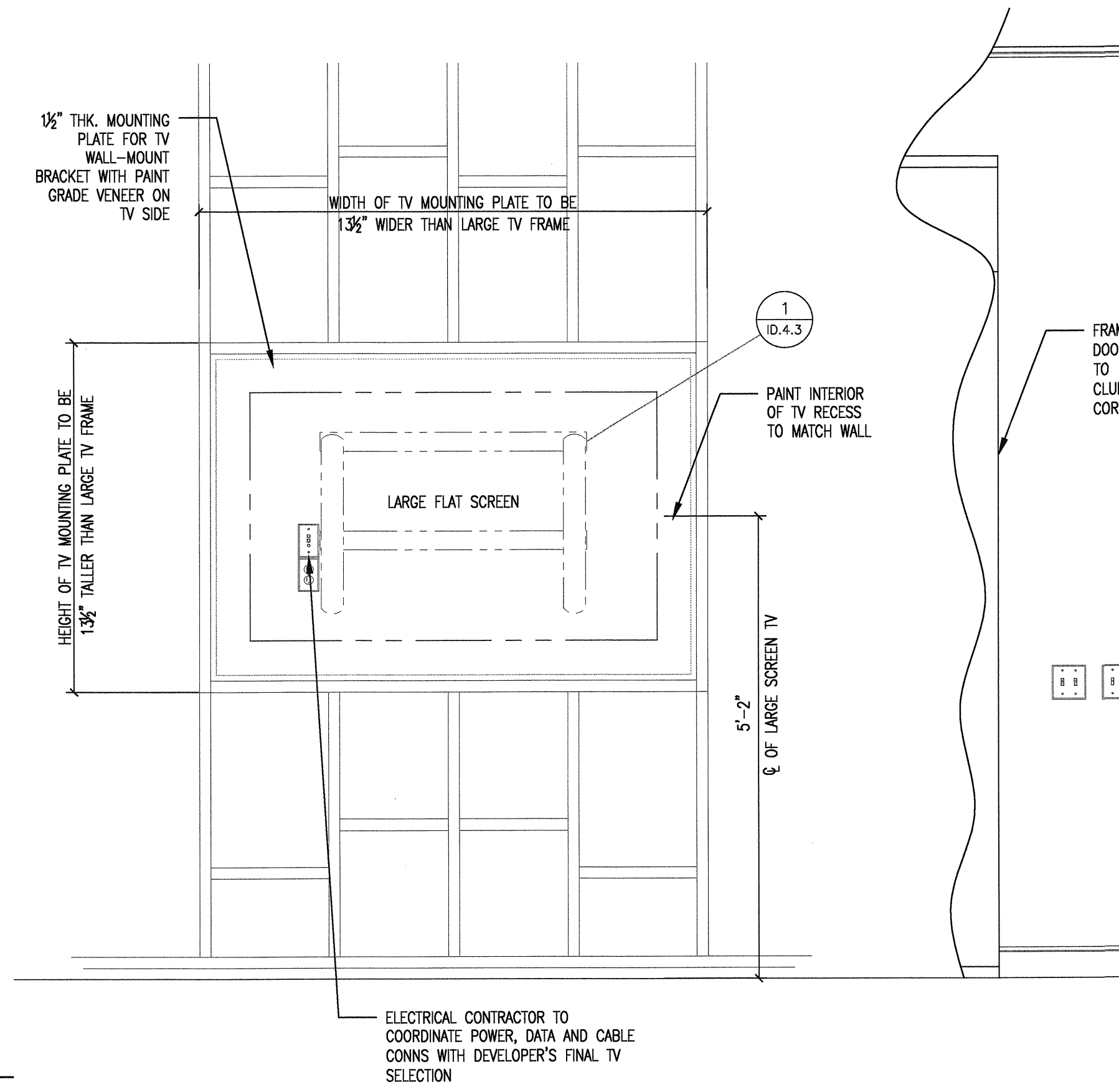
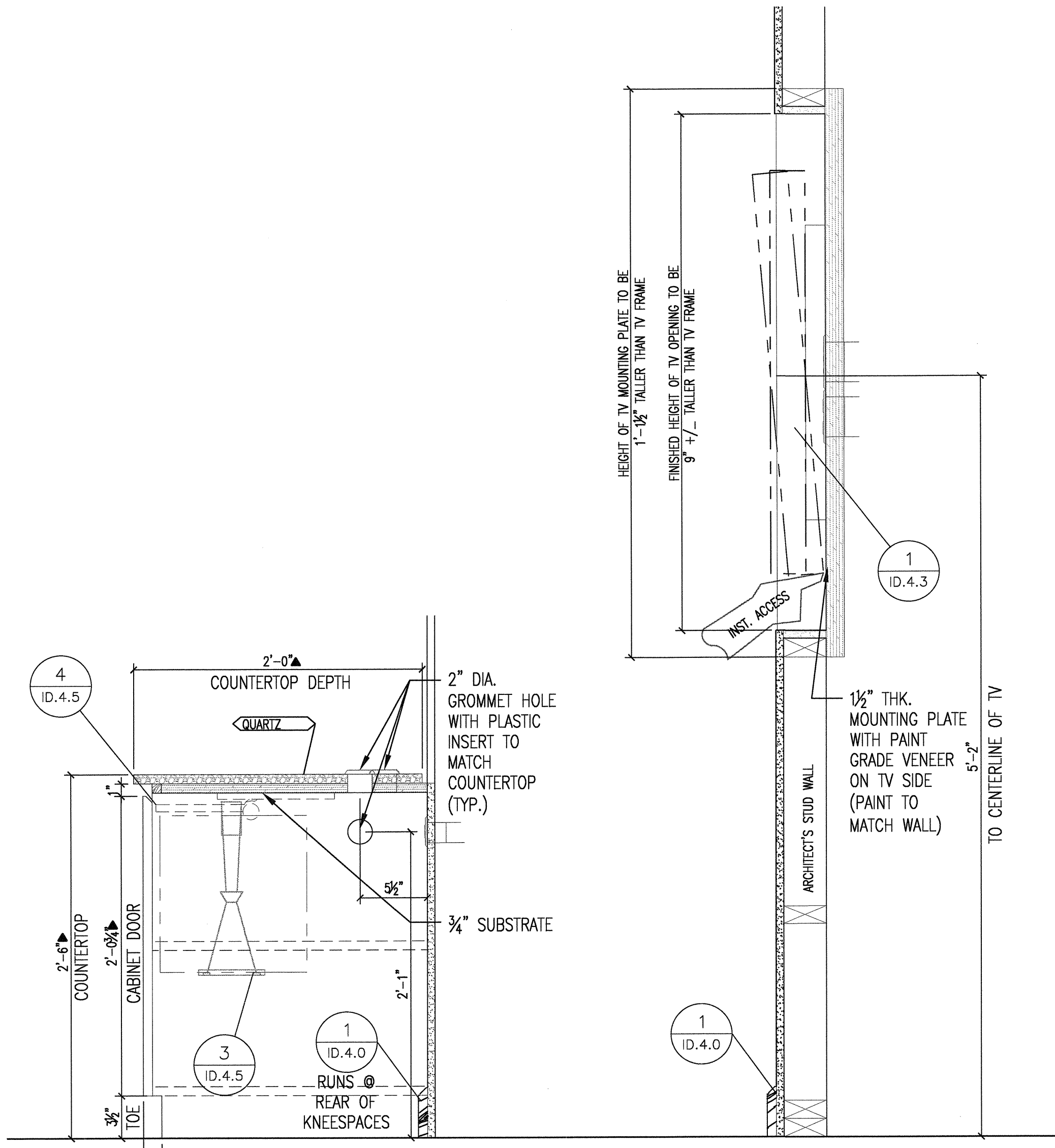
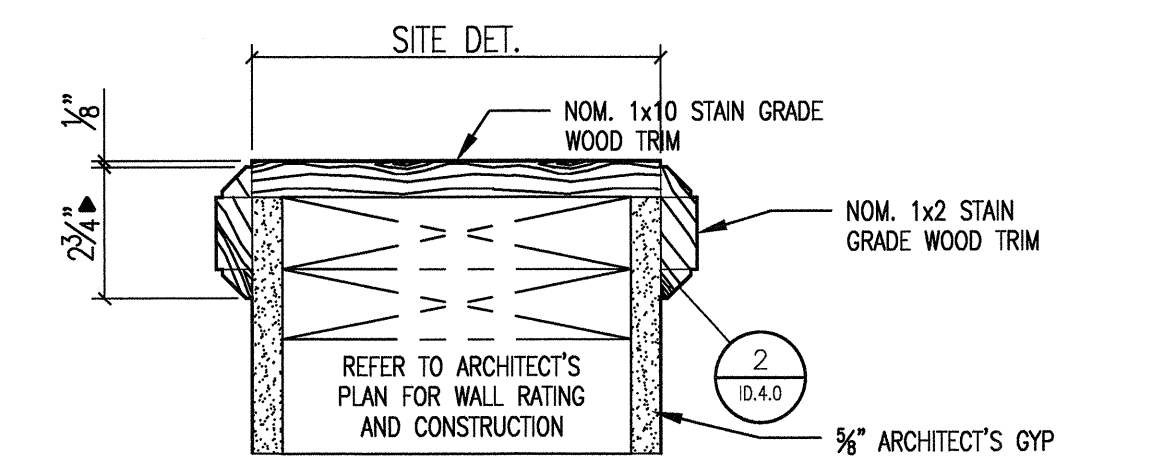
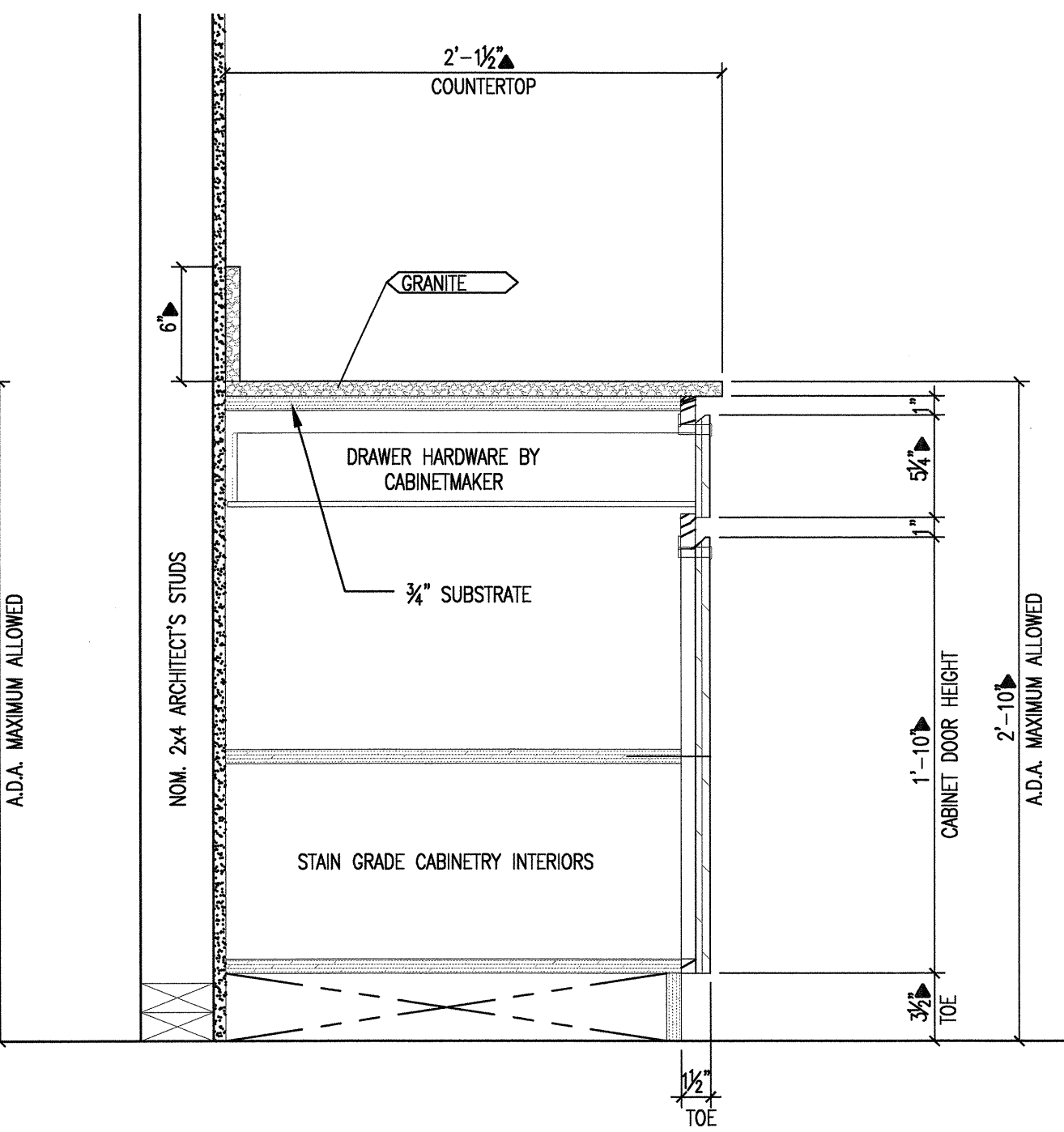
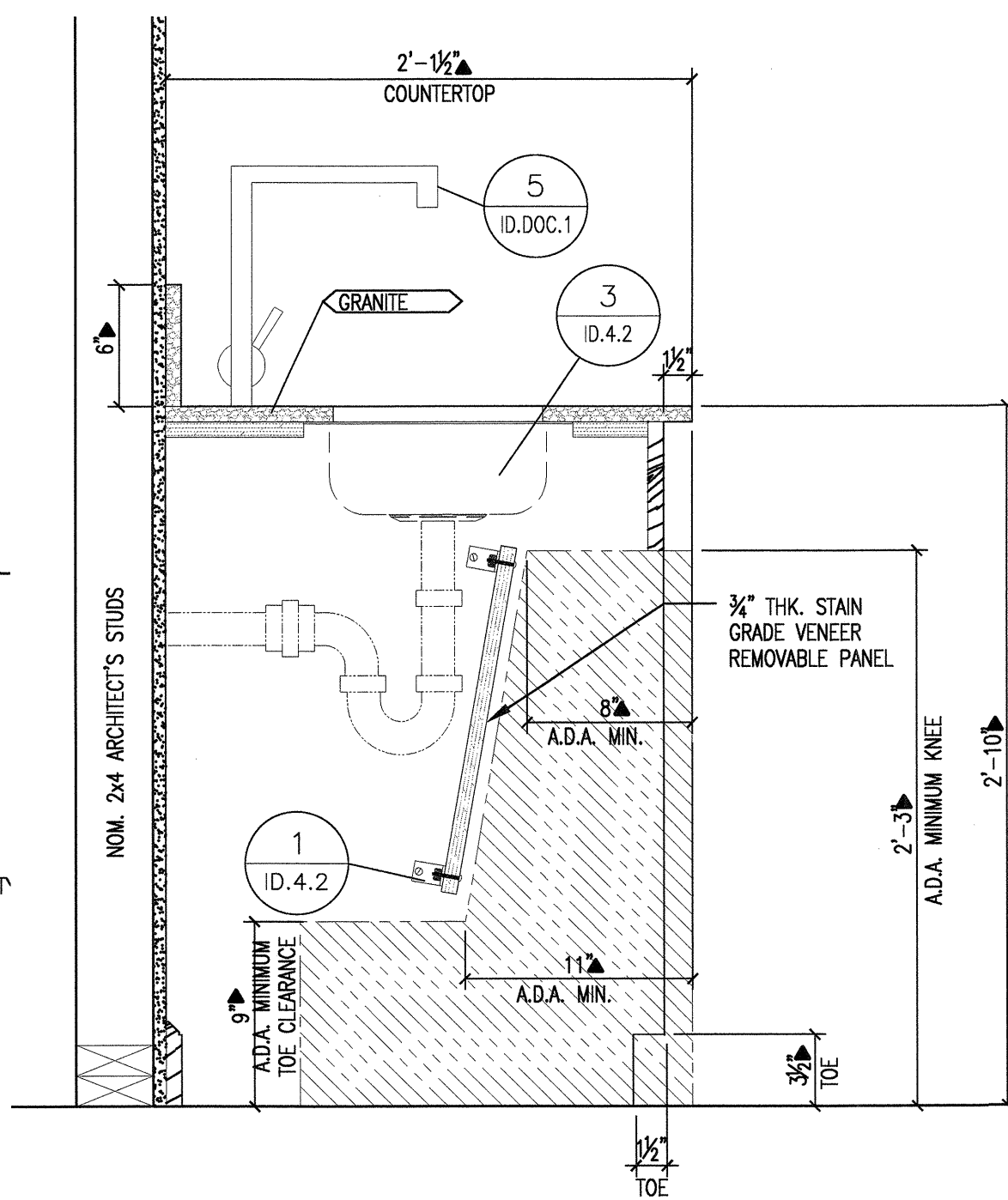
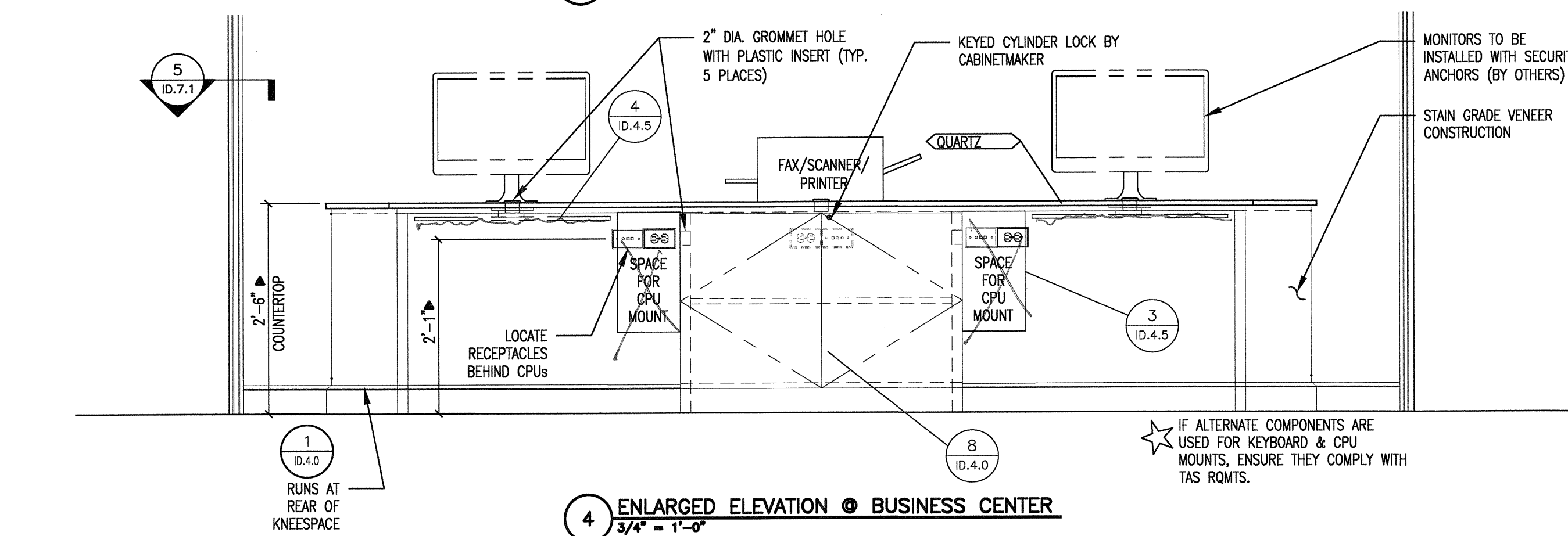
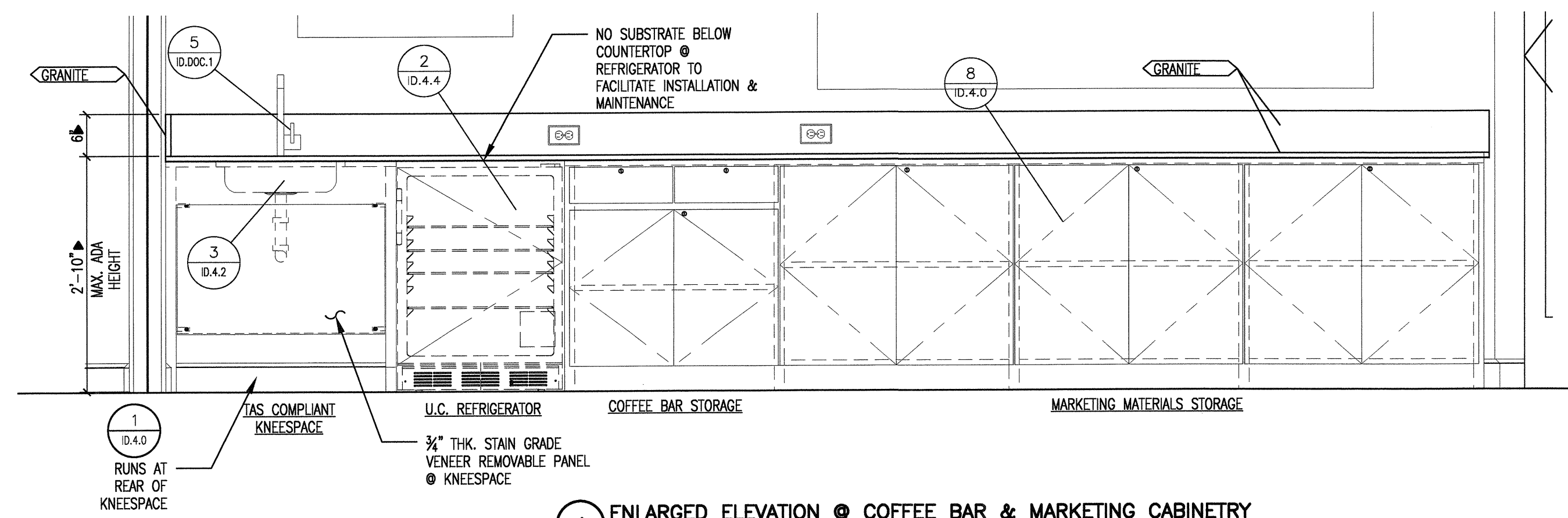
MISC. ENLARGED PLANS

Good Page

REVISED FOR CONSTRUCTION
MAY 16, 2012

KELLER SPRINGS CLUBHOUSE
ADDISON, TX

ENLARGED MISC. ELEVATIONS & SECTIONS



1 ADDED FABRICATION DETAILS 5-16-12

© 2012 M. FORD & ASSOCIATES INC.

THIS DOCUMENT IS PUBLISHED AS AN INSTRUMENT OF SERVICE AND IS GIVEN IN CONFIDENCE. IT REMAINS THE PROPERTY OF M. FORD & ASSOCIATES, INC. THIS DOCUMENT, AND THE INFORMATION CONTAINED WITHIN MAY NOT BE REPRODUCED OR DISCLOSED WITHOUT WRITTEN CONSENT OF M. FORD & ASSOCIATES, INC. HOUSTON, TEXAS



m. ford & associates
interior design
99 detersing street
suite 165
houston, tx 77007
phone 713-630-0800
fax 713-630-0814
mford@mfordassociates.com
www.mfordassociates.com

drawn by: Queen of the World

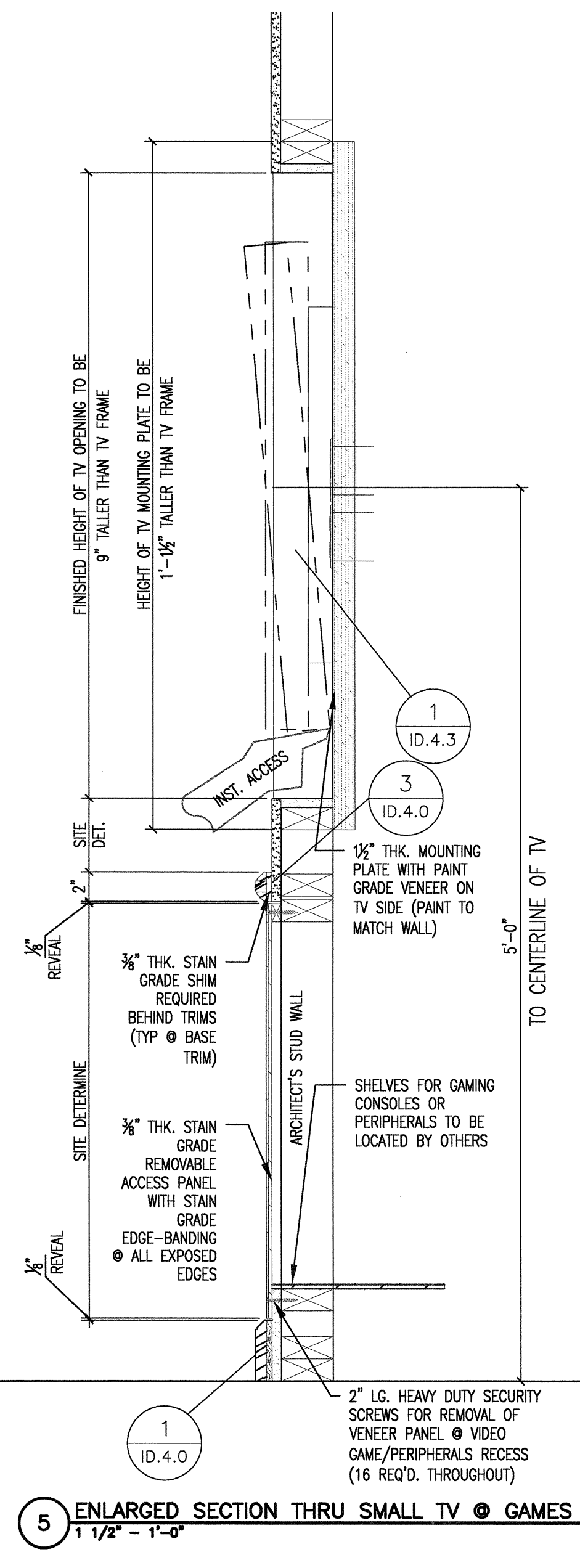
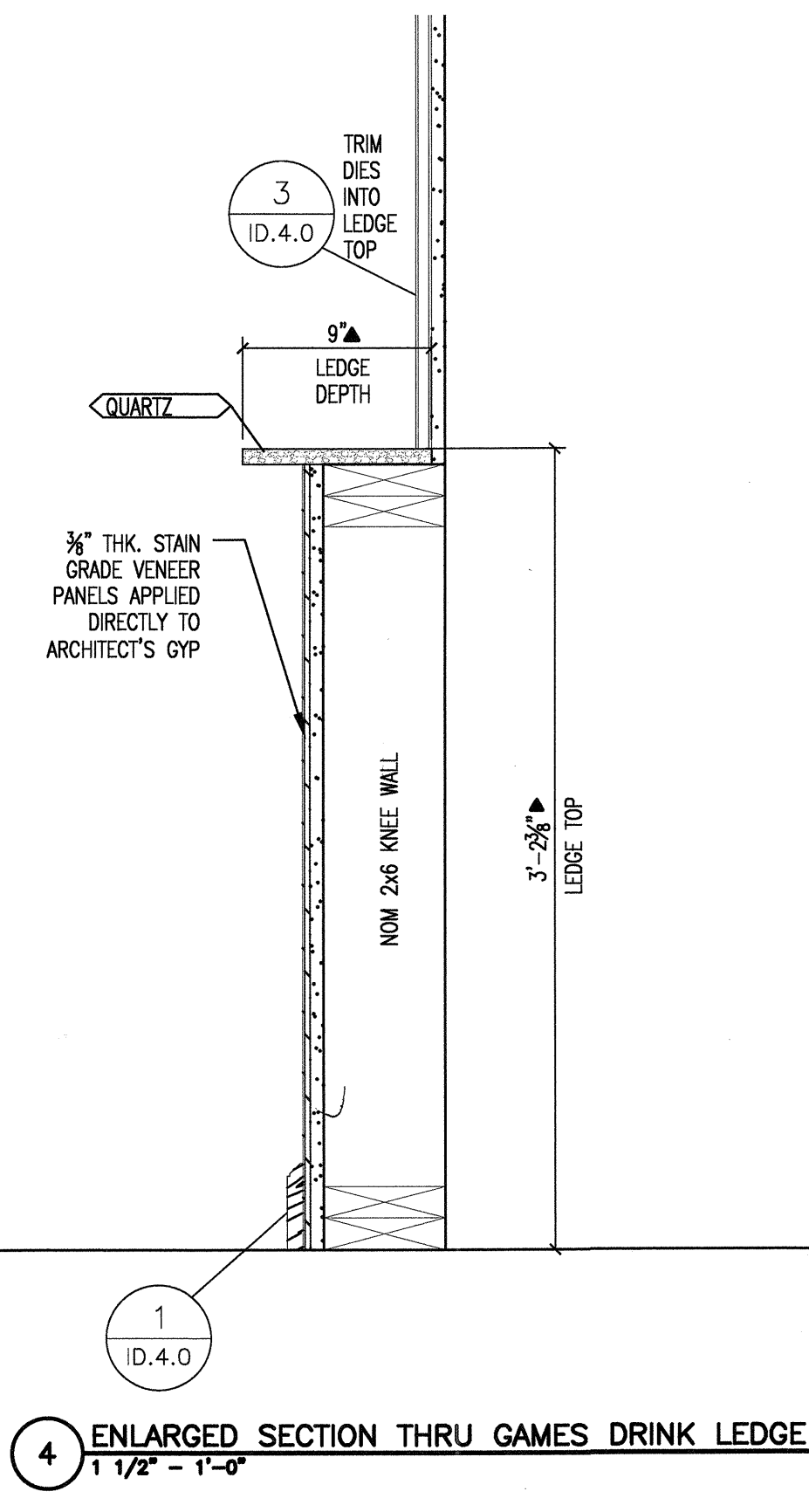
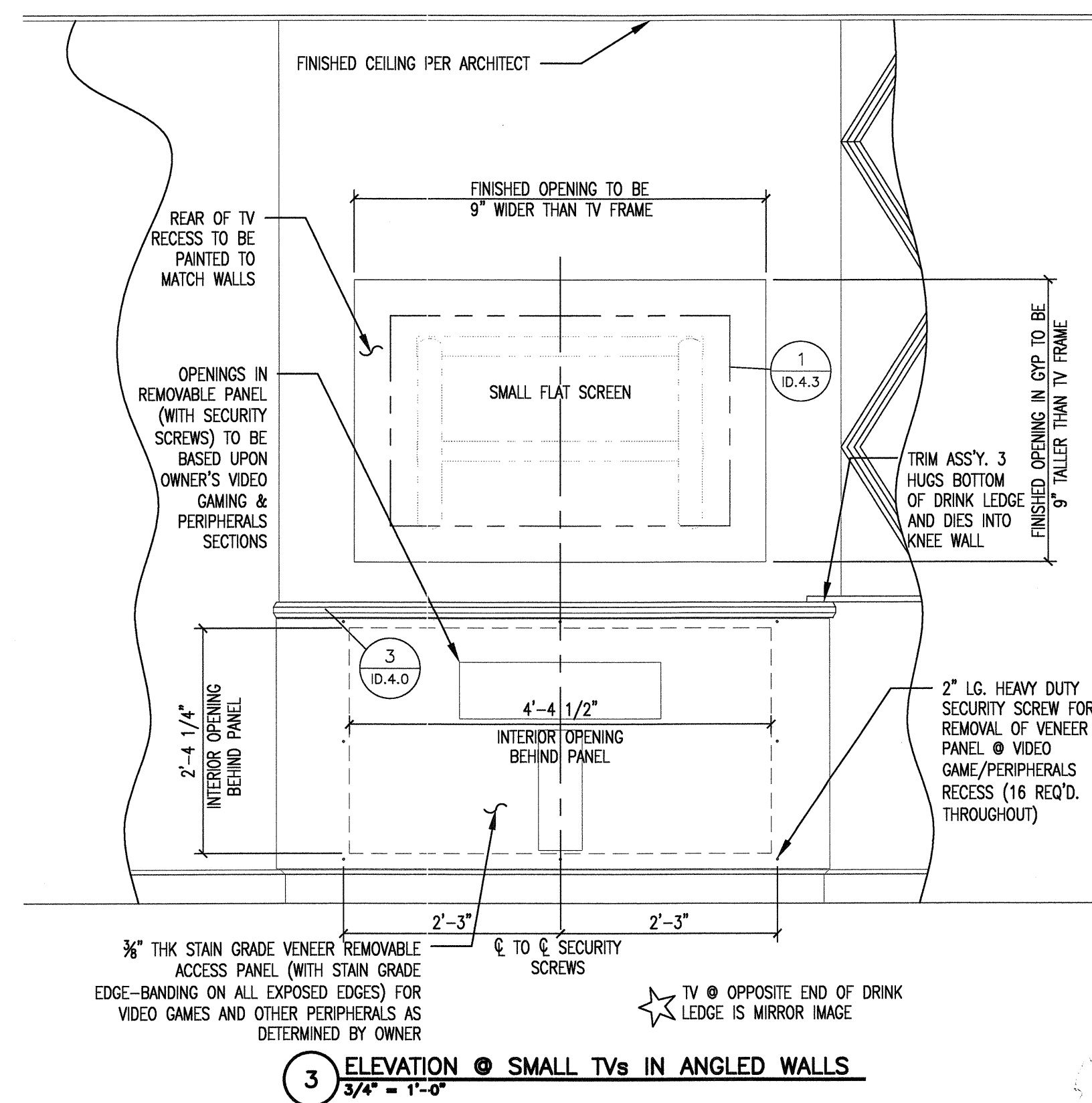
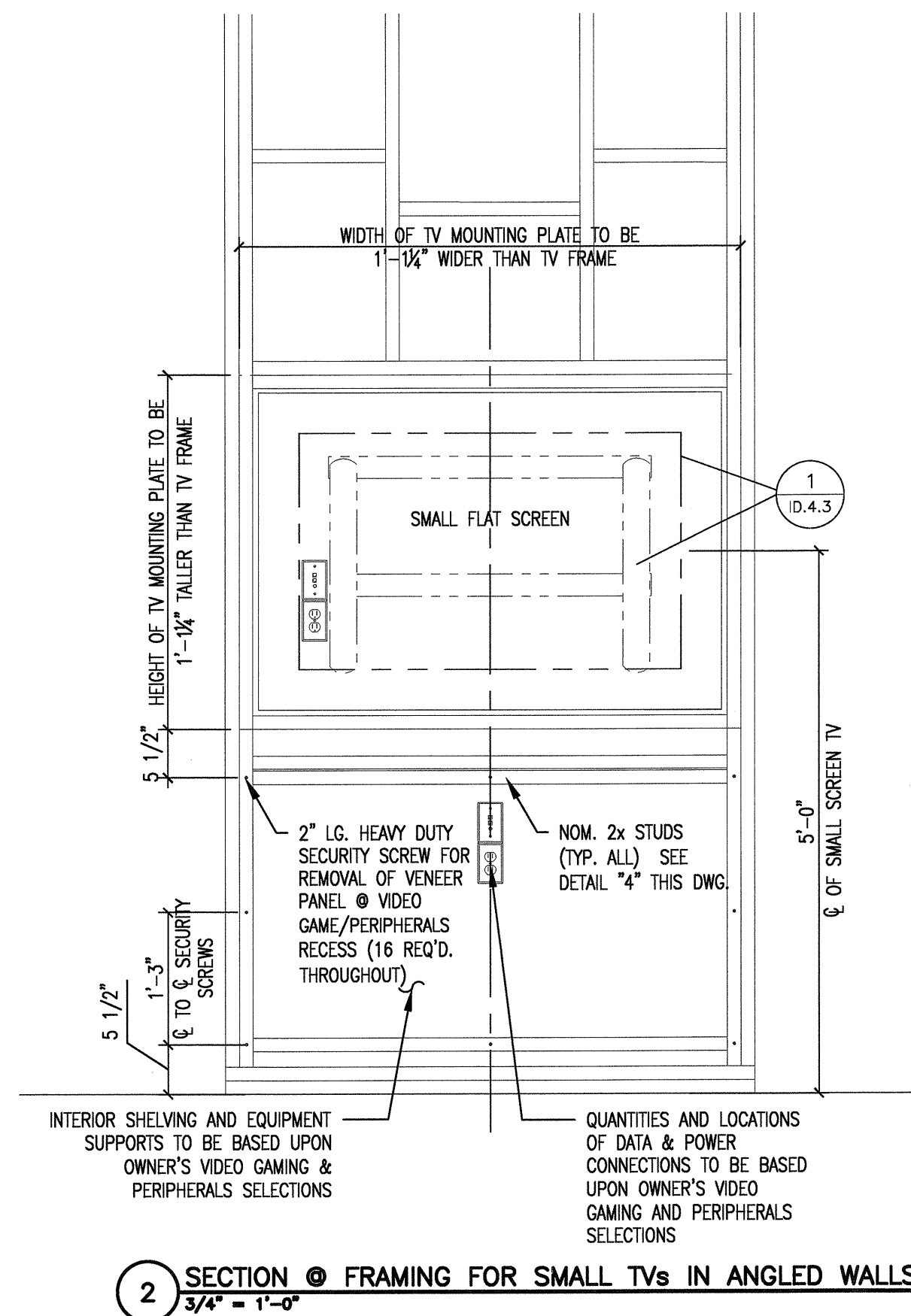
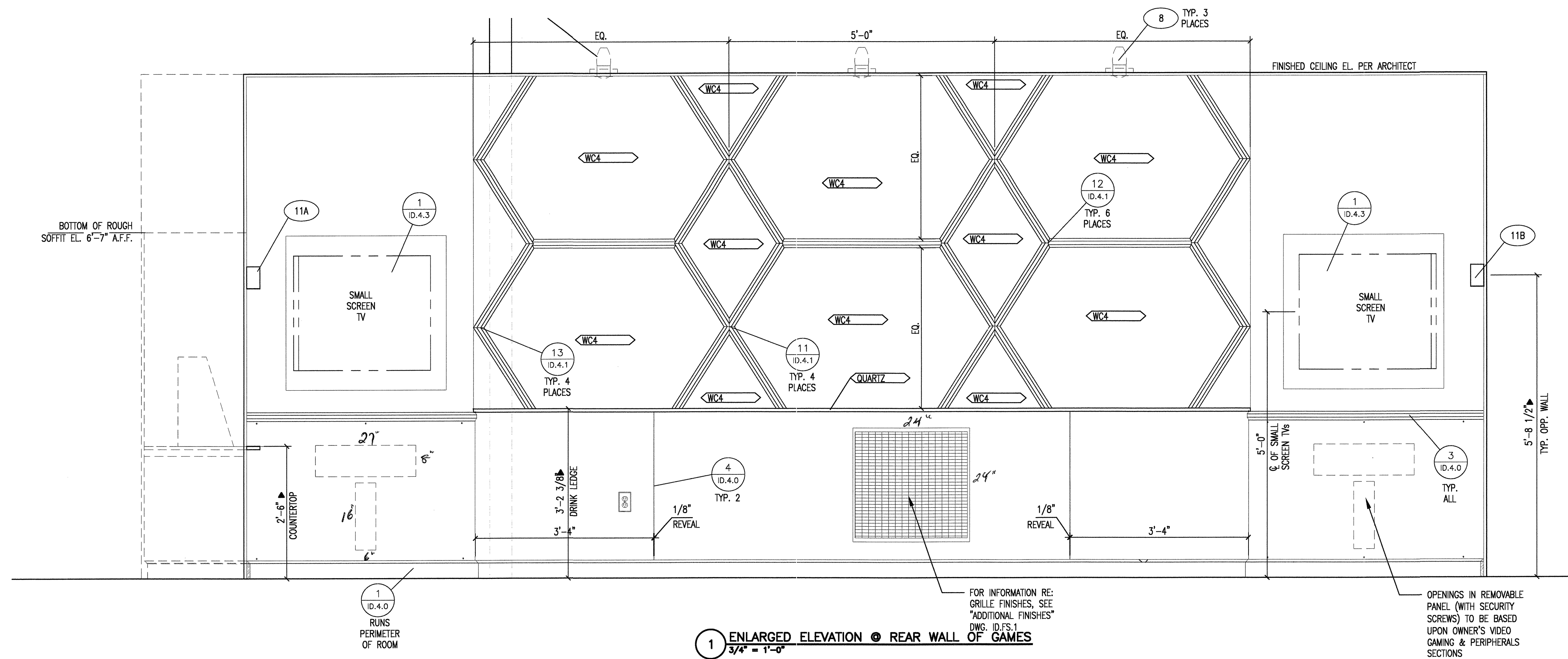
SHEET NO.

ID.7.1

REVISED FOR CONSTRUCTION
MAY 16, 2012

KELLER SPRINGS CLUBHOUSE
ADDISON, TX

ENLARGED ELEVATIONS & SECTIONS @ GAMES



ADDED FABRICATION DETAILS 5-16-12

© 2012 M. FORD & ASSOCIATES INC. THIS DOCUMENT IS PUBLISHED AS AN INSTRUMENT OF SERVICE AND IS GIVEN IN CONFIDENCE. IT REMAINS THE PROPERTY OF M. FORD & ASSOCIATES, INC. THIS DOCUMENT AND THE INFORMATION CONTAINED WITHIN MAY NOT BE REPRODUCED OR DISCLOSED WITHOUT WRITTEN CONSENT OF M. FORD & ASSOCIATES, INC., HOUSTON, TEXAS



m. ford & associates
interior design
99 deterring street
suite 165
houston, tx 77007
phone 713-630-0800
fax 713-630-0814
mford@mfordassociates.com
www.mfordassociates.com

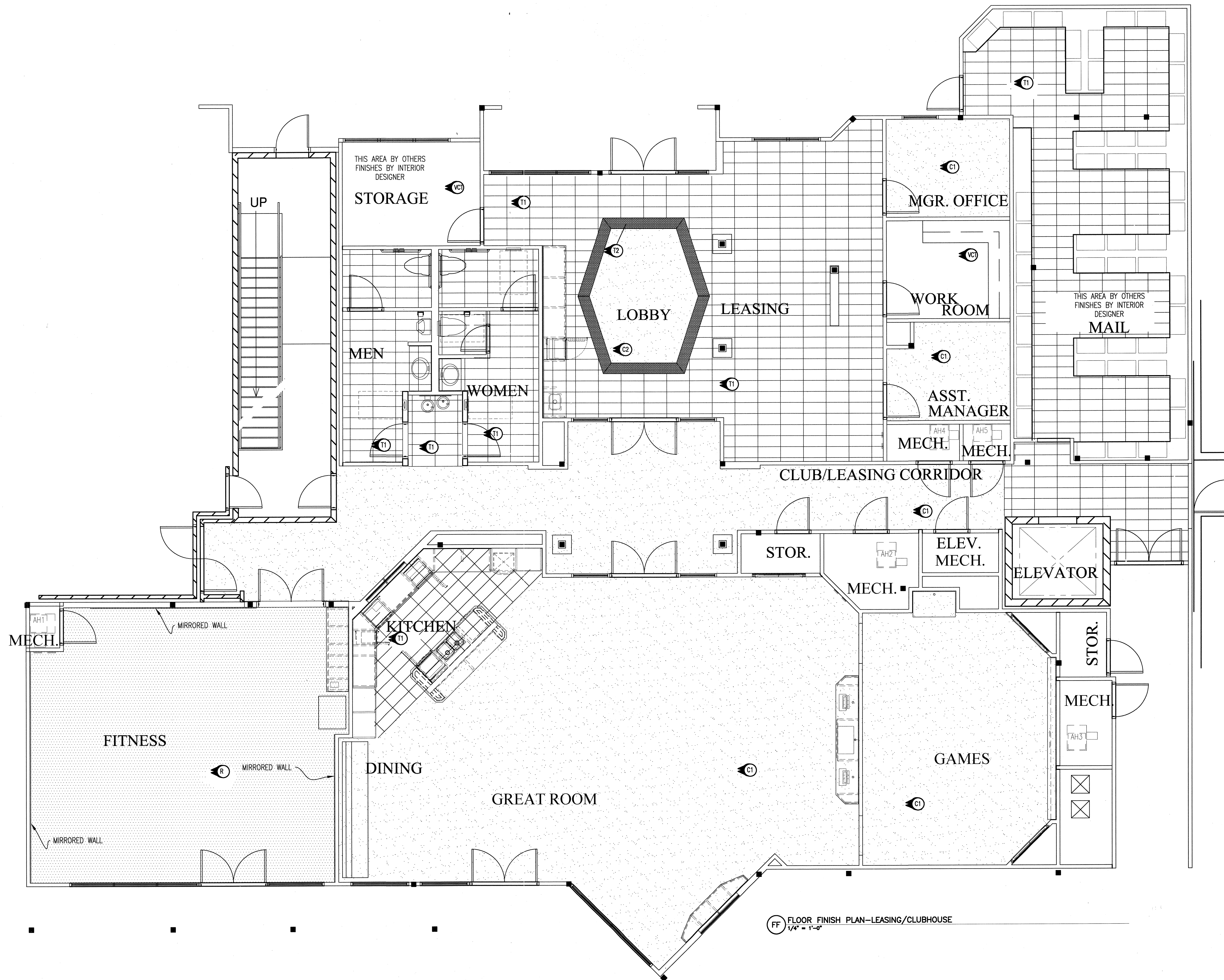
drawn by: Queen of the World

SHEET NO.

ID.7.3

KELLER SPRINGS CLUBHOUSE
ADDISON, TX

ISSUED FOR PRESENTATION
NOVEMBER 9, 2011



© 2011 M. FORD & ASSOCIATES INC.
THIS DOCUMENT IS PUBLISHED AS AN INSTRUMENT OF SERVICE AND IS GIVEN IN CONFIDENCE. IT REMAINS THE PROPERTY OF M. FORD & ASSOCIATES, INC. THIS DOCUMENT, THE ELECTRONIC DATA ASSOCIATED WITH IT, AND THE INFORMATION CONTAINED WITHIN MAY NOT BE DUPLICATED, USED, OR DISCLOSED WITHOUT WRITTEN CONSENT OF M. FORD & ASSOCIATES, INC. HOUSTON, TEXAS



m. ford & associates
interior design
99 deterring street
suite 165
houston, tx 77007
phone 713-630-0800
fax 713-630-0814
mford@mfordassociates.com
www.mfordassociates.com

drawn by:

SHEET NO.

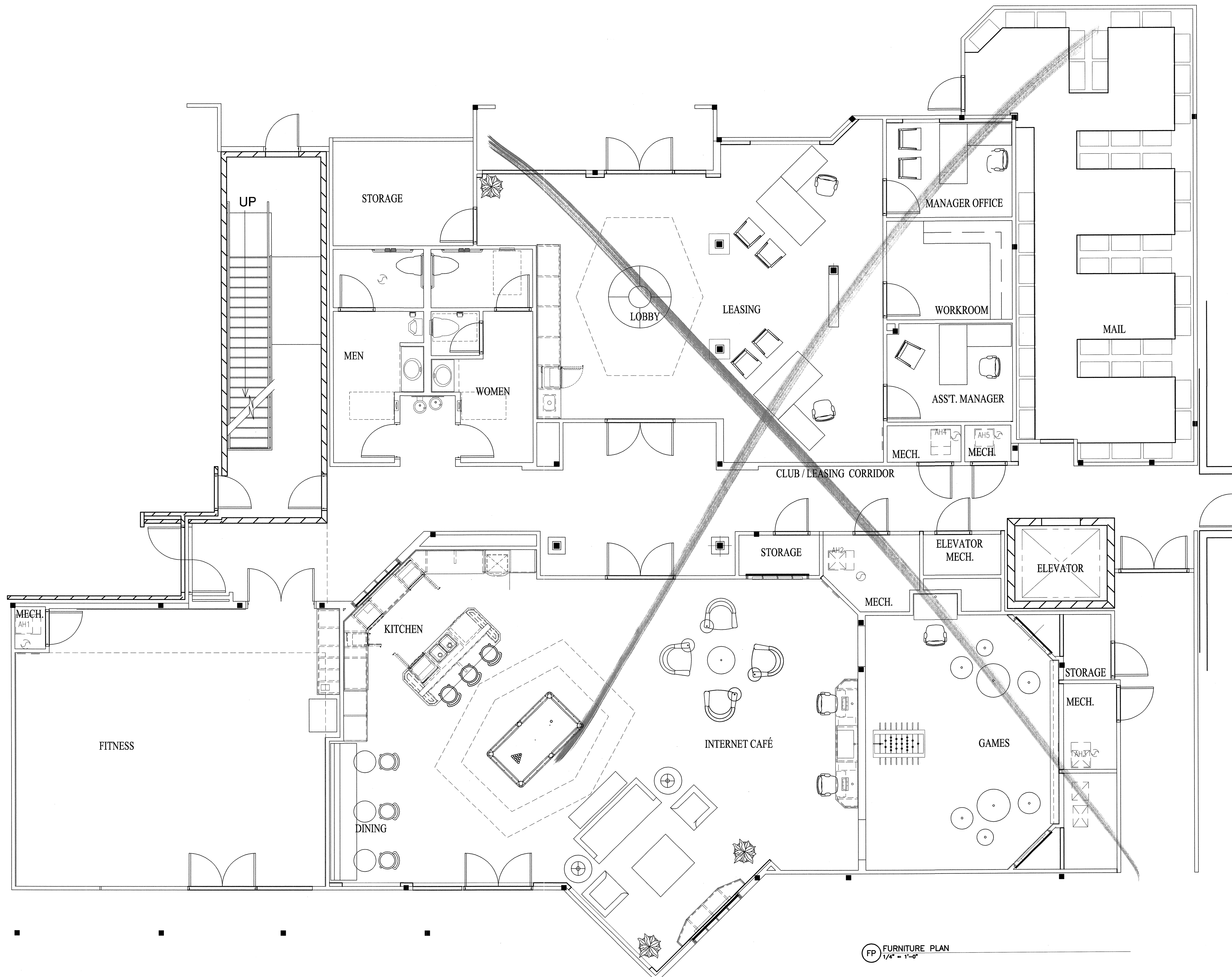
ID.FF

FLOOR FINISH PLAN

FF FLOOR FINISH PLAN-LEASING/CLUBHOUSE
1/4" = 1'-0"

ISSUED FOR CONSTRUCTION
APRIL 23, 2012

KELLER SPRINGS
CLUBHOUSE
ADDISON, TX



© 2012 M. FORD & ASSOCIATES INC.
THIS DOCUMENT IS PUBLISHED AS AN INSTRUMENT OF
SERVICE AND IS GIVEN IN CONFIDENCE. IT REMAINS THE
PROPERTY OF M. FORD & ASSOCIATES, INC.
THIS DOCUMENT, AND THE INFORMATION CONTAINED WITHIN
MAY NOT BE REPRODUCED OR DISCLOSED WITHOUT WRITTEN
CONSENT OF M. FORD & ASSOCIATES, INC. HOUSTON, TEXAS



m. ford & associates
interior design
99 detersing street
suite 165
houston, tx 77007
phone 713-630-0800
fax 713-630-0814
mford@mfordassociates.com
www.mfordassociates.com

drawn by
Queen of the World

SHEET NO.

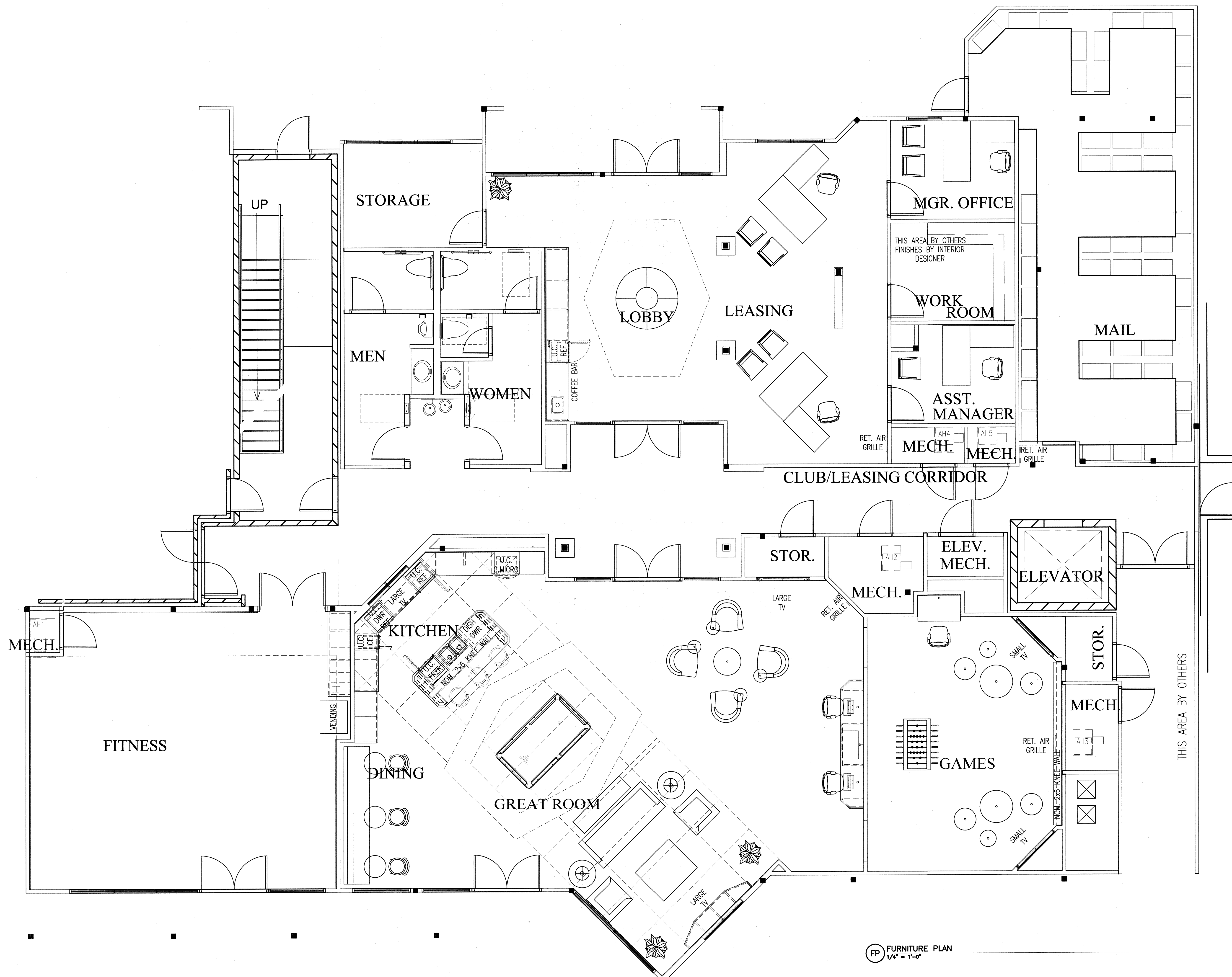
ID.FP

FURNITURE PLAN

FP FURNITURE PLAN
1/4" = 1'-0"

ISSUED FOR PRESENTATION
NOVEMBER 9, 2011

KELLER SPRINGS CLUBHOUSE
ADDISON, TX



© 2011 M. FORD & ASSOCIATES INC.
THIS DOCUMENT IS PUBLISHED AS AN INSTRUMENT OF SERVICE AND IS GIVEN IN CONFIDENCE. IT REMAINS THE PROPERTY OF M. FORD & ASSOCIATES, INC. THIS DOCUMENT, THE ELECTRONIC DATA ASSOCIATED WITH IT, AND THE INFORMATION CONTAINED WITHIN MAY NOT BE REPRODUCED, COPIED, OR DISCLOSED WITHOUT THE WRITTEN CONSENT OF M. FORD & ASSOCIATES, INC. HOUSTON, TEXAS



m. ford & associates
interior design
99 detersing street
suite 165
houston, tx 77007
phone 713-630-0800
fax 713-630-0814
mford@mfordassociates.com
www.mfordassociates.com

drawn by:
Queen of the World

SHEET NO.

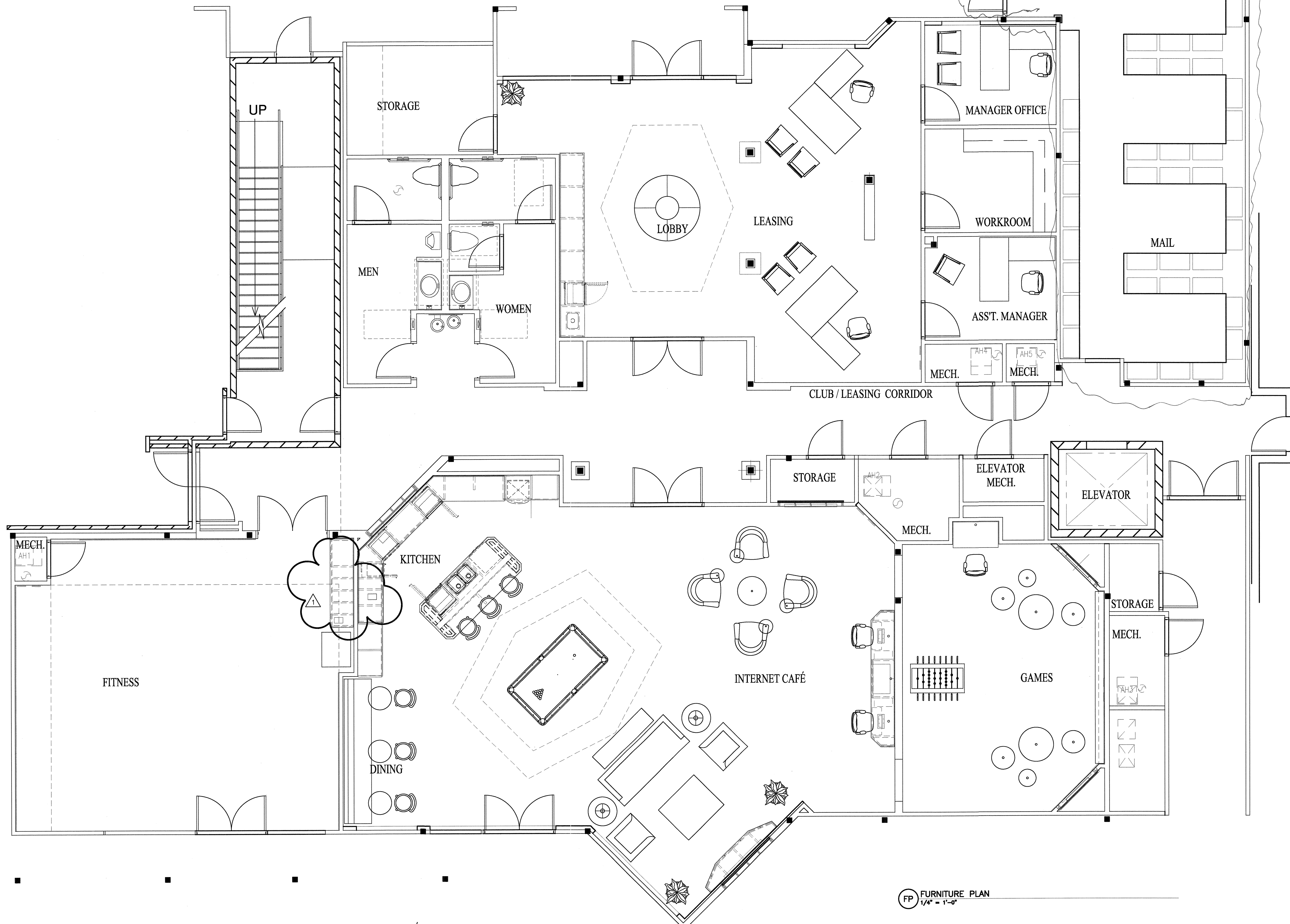
ID.FP

FURNITURE PLAN

FP FURNITURE PLAN
1/4" = 1'-0"

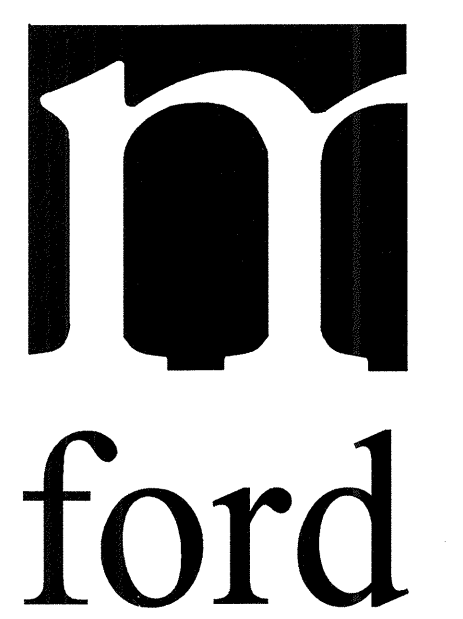
REVISED FOR CONSTRUCTION
MAY 16, 2012

KELLER SPRINGS CLUBHOUSE
ADDISON, TX

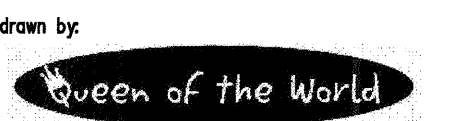


△ ADDED FABRICATION DETAILS 5-16-12

© 2012 M. FORD & ASSOCIATES INC.
THIS DOCUMENT IS PUBLISHED AS AN INSTRUMENT OF SERVICE AND IS GIVEN IN CONFIDENCE. IT REMAINS THE PROPERTY OF M. FORD & ASSOCIATES, INC. THIS DOCUMENT AND THE INFORMATION CONTAINED WITHIN MAY NOT BE DUPLICATED OR DISCLOSED WITHOUT WRITTEN CONSENT OF M. FORD & ASSOCIATES, INC. HOUSTON, TEXAS



m. ford & associates
interior design
99 detersing street
suite 165
houston, tx 77007
phone 713-630-0800
fax 713-630-0814
mford@mfordassociates.com
www.mfordassociates.com



SHEET NO.

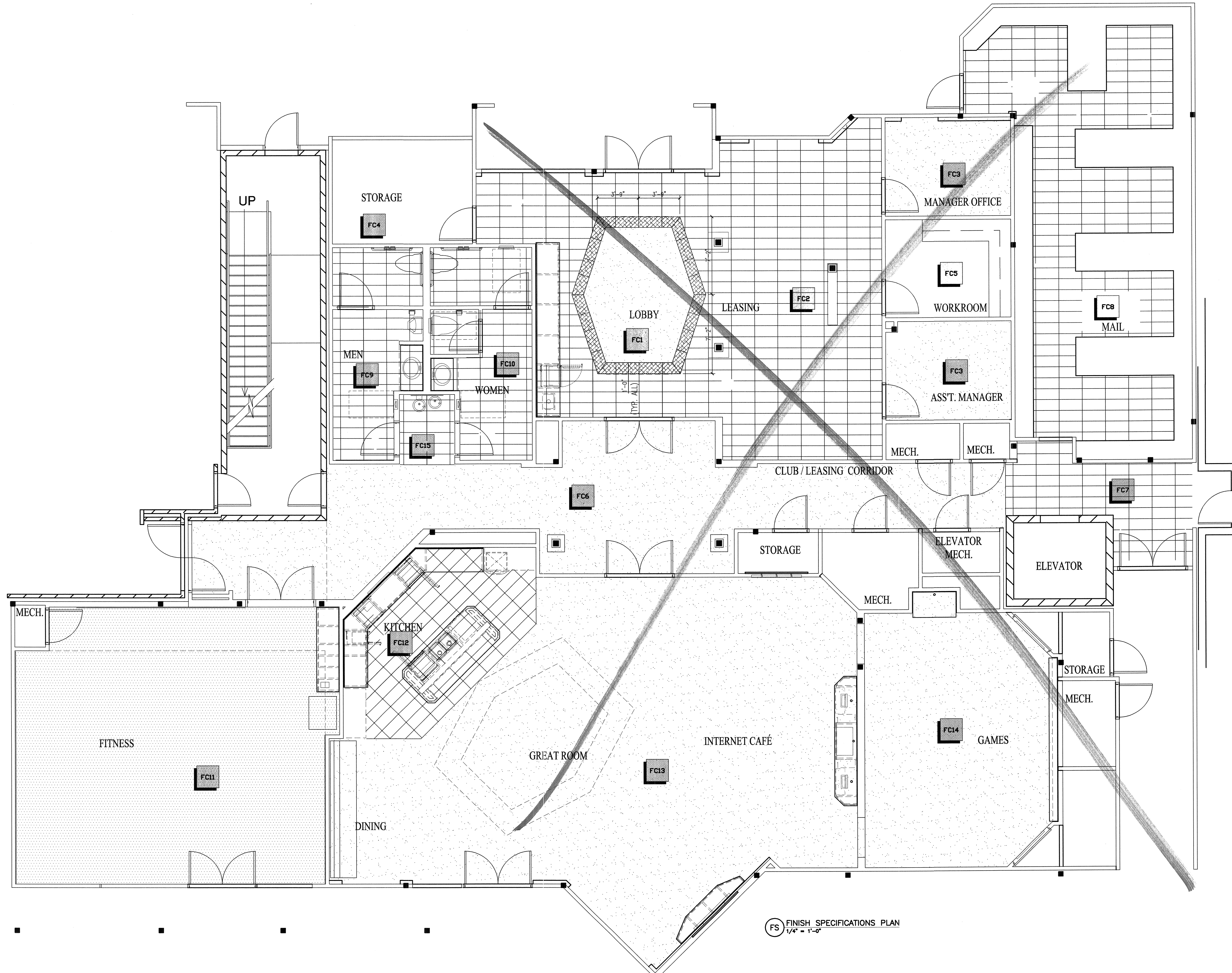
ID.FP

FURNITURE PLAN

FP FURNITURE PLAN
1/4" = 1'-0"

ISSUED FOR CONSTRUCTION
APRIL 23, 2012

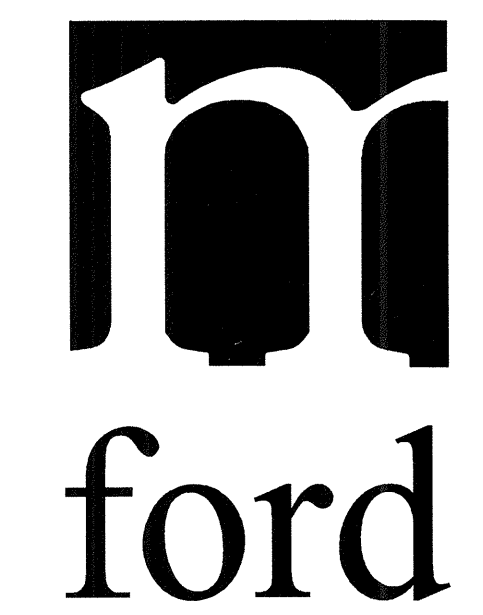
KELLER SPRINGS CLUBHOUSE
ADDISON, TX



FS FINISH SPECIFICATIONS PLAN
1/4" = 1'-0"

FINISH SPECIFICATIONS PLAN

© 2012 M. FORD & ASSOCIATES INC.
THIS DOCUMENT IS PUBLISHED AS AN INSTRUMENT OF SERVICE AND IS GIVEN IN CONFIDENCE. IT REMAINS THE PROPERTY OF M. FORD & ASSOCIATES, INC. THIS DOCUMENT, AND THE INFORMATION CONTAINED WITHIN, MAY NOT BE DUPLICATED OR DISCLOSED WITHOUT WRITTEN CONSENT OF M. FORD & ASSOCIATES, INC., HOUSTON, TEXAS.



m. ford & associates
interior design
99 detersing street
suite 165
houston, tx 77007
phone 713-630-0800
fax 713-630-0814
mford@mfordassociates.com
www.mfordassociates.com

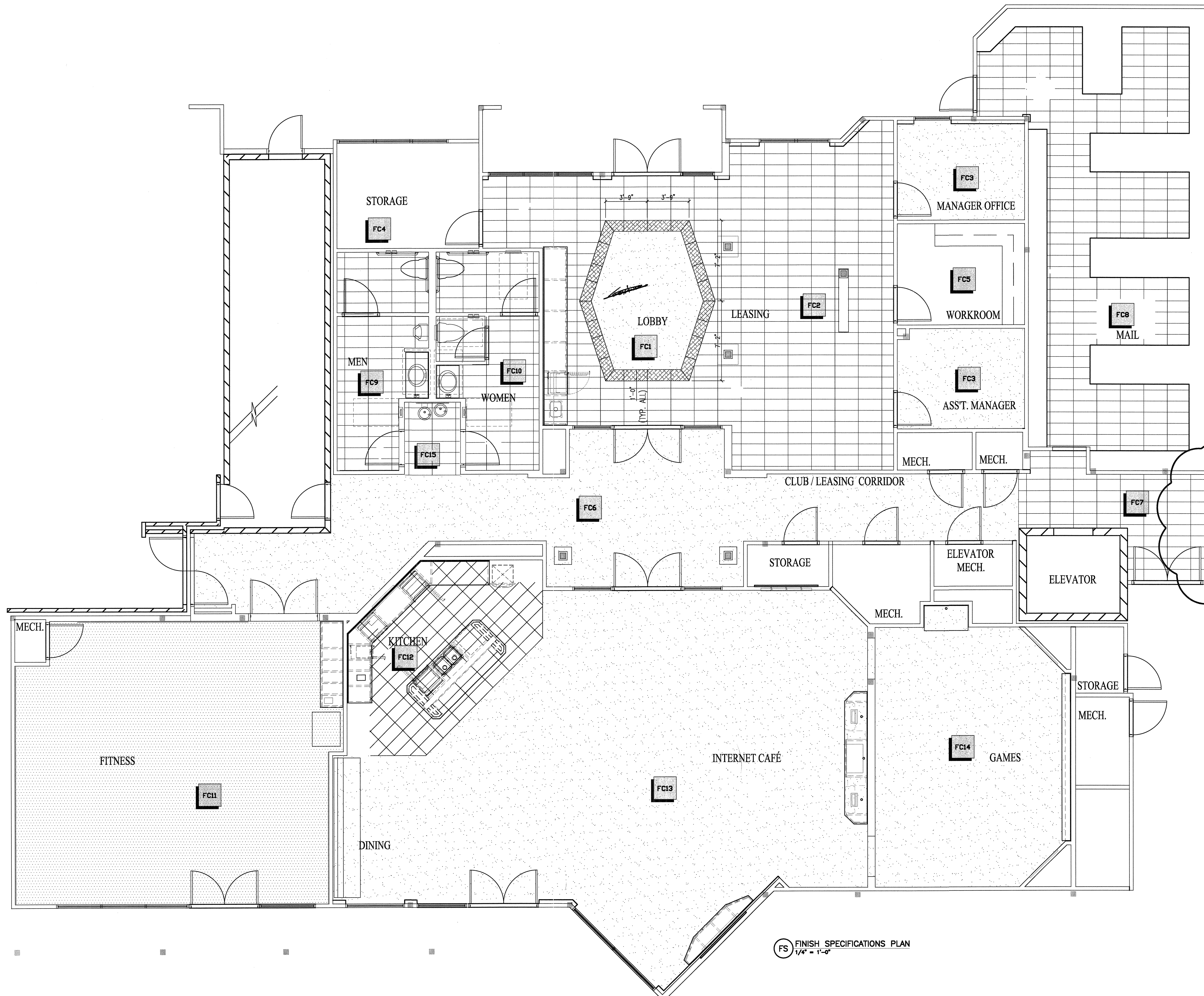
drawn by:
Queen of the World

SHEET NO.

ID.FS.0

REVISED FOR CONSTRUCTION
MAY 16, 2012

KELLER SPRINGS
CLUBHOUSE
ADDISON, TX



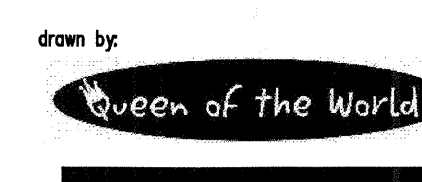
FINISH SPECIFICATIONS PLAN

▲ ADDED FABRICATION DETAILS 5-16-12

© 2012 M. FORD & ASSOCIATES INC.
THIS DOCUMENT IS PUBLISHED AS AN INSTRUMENT OF SERVICE AND IS GIVEN IN CONFIDENCE. IT REMAINS THE PROPERTY OF M. FORD & ASSOCIATES, INC. THIS DOCUMENT AND THE INFORMATION CONTAINED WITHIN MAY NOT BE DUPLICATED OR REPRODUCED WITHOUT THE WRITTEN CONSENT OF M. FORD & ASSOCIATES, INC. HOUSTON, TEXAS



m. ford & associates
interior design
99 deterring street
suite 165
houston, tx 77007
phone 713-630-0800
fax 713-630-0814
mford@mfordassociates.com
www.mfordassociates.com



SHEET NO.

ID.FS.0

FS FINISH SPECIFICATIONS PLAN
1/4" = 1'-0"

ISSUED FOR CONSTRUCTION
APRIL 23, 2012

FINISH SCHEDULE & MISC. SPECIFICATIONS

SPECIALTY LIGHT FIXTURES										
QUANTITY	TAG	MANUF.	FIXTURE INFORMATION	VOLTS	MOUNTING	LAMPS	DESCRIPTION	FINISH	OVERALL HEIGHT	LOCATION
1	1	LUSIVE	"MANIFESTO" MODEL (CUSTOMIZED)	120V	CHANDELIER	(12) 40W G9 HALOGEN (ON DIMMER)	42" DIA. X 32" OAH WITH DOUBLE-LAMINATED FIRE RED ART GLASS, MIRROR-POLISHED CHROME ARMS & MIRROR-POLISHED CHROME GLOBE @ CENTER. CONTACT: MEREDITH UECKER 713-698-1877, msk@ksp@phco.com. REFER TO ESTIMATE #11210.1. LEAD TIME 14-18 WKS ON RECEIPT OF DEPOSIT, APPROVAL OF SHOP DRAWINGS, AND FINISH SAMPLES	FIRE RED ART GLASS & POLISHED CHROME	32" OAH	MOUNTED FROM CEILING AT COFFERED AREA IN LOBBY
3	3	FLOS USA	#FU593330 "RAY S"	120V	PENDANT	T10 250W MEDIUM BASE FROSTED (ON DIMMERS)	16.9" DIA. X 10.6" H WITH "GLASS GREY" DIFFUSER	BLACK PAINTED METAL	81.5" OAH	BILLIARDS FIXTURE MOUNTED IN CENTER OF GREAT ROOM DROPPED SOFFIT
6	4	OCL	UA1-CINA-S1-MW-BAL	120V	SURFACE MOUNT	6.25W T9 TYPE 1LE22	3.5" D x 3" H x 9.1" LG. MATTE WHITE DIFFUSER	BRUSHED ALUMINUM	N/A	LEASING/CLUB CORRIDOR
4	5	EMERSON FANS	#CF252CRM "CURVA"	120V	SURFACE MOUNT	NO LIGHT KIT	CHROME HOUSING & CHROME BLADES	CHROME	N/A	FITNESS
3	9	STONE LIGHTING	#PD178 "ROCK CANDY"	120V	PENDANT	(3) MR16 50W	2.75" DIA. X 16.75" H WITH CR. CLEAR COLOR CRYSTALS. CONTACT: www.stonelight.net	POLISHED NICKEL	66.5" OAH	BUSINESS CENTER
1	10	STONEGATE DESIGNS	CUSTOM "NECTAR" DRUM SHADE	120V	SURFACE	TBD	SHADE: 40" DIA. X 16" H, FABRIC COLOR: #614 POY WITH BOTTOM DIFFUSER & MOUNTED ON STEM/GANTRY. CONTACT: www.stonegatedesigns.com. LEAD TIME LONG	BRUSHED NICKEL #P06	20" OAH	LEASING/CLUB CORRIDOR
2	11A	OCL	#DOI-SISA-24-MW-BAL	120V	WALL MOUNT	(4) 14W T5 TYPE 2LF 14	5.9" x 3" D x 24" L MATTE WHITE DIFFUSER	BRUSHED ALUMINUM	SEE DWG. ID.3 FOR JUNCTION BOX EL	GAMES
2	11B	OCL	#DOI-SISA-89-MW-BAL	120V	WALL MOUNT	(4) 28W T5 TYPE 4LF 28	5.9" x 3" D x 89" L MATTE WHITE DIFFUSER	BRUSHED ALUMINUM	SEE DWG. ID.3 FOR JUNCTION BOX EL	GAMES

PAINT ALL RECESS CAN RIMS TO MATCH CEILINGS

ADDITIONAL FINISHES									
DESCRIPTION	SOURCE	ITEM #	MODEL	COLOR NAME	COLOR #	FINISH	SPECIAL INSTRUCTIONS		
LIGHT PANEL INTERIOR COATING QUARTZ	SHERWIN WILLIAMS		EMAMEL	SNOWBOUND	SW7004	HIGH GLOSS	APPLIED AT INTERIOR OF LIGHT PANEL ONLY		
MANUFACTURED QUARTZ SURFACE	DAL-TILE	NO09	QUARTZITE SLAB	WOVEN WOOL	N/A	POLISHED	2 CM THK.		
GRANITE	DAL-TILE			MAPALA BLACK	G-701	POLISHED	2 CM THK.		
ACRYLIC	3-FORM	CHRONA C3 1/2" THK.	CUSTOM #NB	VARIA ECORSEN		POMEGRANATE + POMEGRANATE + GHOST	USE QUOTE #WQ-350189-ICE & SEE ITEM #3 IN INTERIOR DESIGNER'S SPECIFICATION DOCUMENT, ID.DOC.1		
LAMINATE 1	WILSONART			CARBON EV	4820-60	MATTE			
LAMINATE 2	WILSONART			GALACTIC BLACK	4799K-07	MATTE			
METAL 1	BY ARCHITECT			BRUSHED STAINLESS OR ANODIZED ALUMINUM			SELECT MFG'S FINISH BASED ON COLOR DESCRIPTION		
RUBBER	JOHNSONITE			WHITE SAND	68				
PLUMBING HARDWARE	KOHLER	K-14760-4-SN	STANCE	N/A	SN	VIBRANT BRUSHED NICKEL	ITEM #2 IN ID.DOC.1		
PLUMBING HARDWARE	KOHLER	K-2330-G	KATHRYN	WHITE	0	GLAZED BOTTOM	ITEM #1 IN ID.DOC.1		
PLUMBING HARDWARE	KOHLER	K-6331-SN	EVOKE	N/A	SN	VIBRANT BRUSHED NICKEL	ITEM #4 IN ID.DOC.1		
PLUMBING HARDWARE	KOHLER	K-6355-SN	EVOKE 7	N/A	SN	VIBRANT BRUSHED NICKEL	ITEM #5 IN ID.DOC.1		
PLUMBING HARDWARE	JUST MFG.	US-ADA-1353B-A	UNDER-MOUNT	N/A	N/A	STAINLESS STEEL	ITEM #6 IN ID.DOC.1		
PLUMBING HARDWARE	ELKAY	ELUHAD3138	LUSTERFORM E	N/A	N/A	STAINLESS STEEL	ITEM #7 IN ID.DOC.1		
HVAC GRILLE COATINGS	SHERWIN WILLIAMS' PAINT	P3					SEE WALL FINISH SCHEDULE		
HVAC GRILLE COATINGS	SHERWIN WILLIAMS' PAINT	P1		SW-7043	WORLDLY GRAY	SEMI-GLOSS			
HVAC GRILLE COATINGS	BY BUILDER						SEMI GLOSS PAINT TO MATCH STAIN @ VENEER paneled wall		
HVAC GRILLE COATINGS	SHERWIN WILLIAMS' PAINT	P2		SW-7042	SHOH WHITE	SEMI-GLOSS			

DESCRIPTION	MFG	COLOR #	COLOR NAME	FINISH	SPECIAL INSTRUCTIONS
P1	SHERWIN WILLIAMS	SW-7043	WORLDLY GRAY	FLAT	
P2	SHERWIN WILLIAMS	SW-7042	SHOH WHITE	FLAT	
P3	SHERWIN WILLIAMS	SW-7044	AMAZING GRAY	SEMI-GLOSS	
WC1	MAYA ROMANOFF	MR-D2-2699-5	N/A	N/A	WALLCOVERING TO BE PURCHASED BY INTERIOR DESIGNER AND INSTALL BY BUILDER
WC2	SEABROOK	A0-60708	N/A	N/A	WALLCOVERING TO BE PURCHASED BY INTERIOR DESIGNER AND INSTALL BY BUILDER
WC3	TRIKES	E2-MO-12	N/A	N/A	WALLCOVERING TO BE PURCHASED BY INTERIOR DESIGNER AND INSTALL BY BUILDER
WC4	TRIKES	SG1-03	GLIMMER "SILVER"	N/A	WALLCOVERING TO BE PURCHASED BY INTERIOR DESIGNER AND INSTALL BY BUILDER
T1	INTERCERAMIC		GLOW "MOON"	N/A	SAME AS FLOOR TILE T1
GT1	CUSTOM BUILDING PRODUCTS	386	OYSTER GRAY	N/A	SAME AS FLOOR TILE T1
MT	INTERCERAMIC	SHIMMER BLEND	FROST	N/A	USE WHITE MORTAR FOR APPLICATION
GT3	CUSTOM BUILDING PRODUCTS	9	NATURAL GRAY	N/A	
T2	INTERCERAMIC		GLOW "COSMOS"	N/A	SAME AS FLOOR TILE T2
GT2	CUSTOM BUILDING PRODUCTS	370	DOVE GRAY	N/A	SAME AS FLOOR TILE T2
T3	INTERCERAMIC	3"x24"	COSMOS	N/A	USE GT2 GROUT (SAME AS T2 FLOOR TILE)
S1	BY BUILDER	BY BUILDER		SATIN SHEEN	CUSTOM CABINETRY TO BE CONSTRUCTED OF FURNITURE QUALITY VENEERS AND NOMINAL WOOD TRIM COMPONENTS. STAIN GRADE CONSTRUCTION SHOULD BE FREE OF DEFECTS AND HAVE A SMOOTH, FINE GRAINED APPEARANCE. STAIN GRADE WOOD TRIM COMPONENTS ARE TO BE OF SAME WOOD SPECIES AS STAIN GRADE VENEERS.

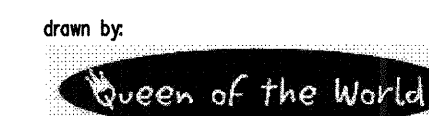
FLOOR FINISH SCHEDULE						
DESCRIPTION	MFG	STYLE #	STYLE NAME	COLOR NAME	COLOR #	SPECIAL INSTRUCTIONS
T1	INTERCERAMIC		GLOW	MOON		INSTALL PER ID DWGS USING GT1 GROUT
T2	INTERCERAMIC		GLOW	COSMOS		INSTALL PER ID DWGS USING GT2 GROUT
GT1	CUSTOM BUILDING PRODUCTS			OYSTER GRAY	386	
GT2	CUSTOM BUILDING PRODUCTS			DOVE GRAY	370	
C1	J+J INVISION	9708	FLOORED II	MESMERIZED	1441	DIRECT GLUE-DOWN, NO PAD
C2	CONSTANTINE	C275C26	LINDSTROM	MAIN STREET	C-26	DIRECT GLUE-DOWN, NO PAD
VCT	ARMSTRONG		STONETEX	STONE WHITE	52127	
R1	NORA	925 GRANO	NORAMENT	VERMILLION	866	

Finish Combination Schedule**			Finish Combination Schedule (continued)**		
** USE THIS SCHEDULE WITH WALL, FLOOR, AND ADDITIONAL FINISHES SCHEDULES					
LEASING & CLUBHOUSE			FC9 MEN'S RESTROOM		
FC1 LOBBY, MARKETING, COFFEE BAR	WALLS	P1	WALLS TO 48" A.F.F.		T2
	CEILING	P2	GROUT FOR WALL TILE TO 48" A.F.F.		GT2
	CEILING & SIDES OF CEILING COVE TRIM, CABINETRY, BASE	WC1	WALLS 48" A.F.F. TO 51" A.F.F. (SURFACE BULLNOSE)		T3
	COUNTERTOPS	S1	GROUT FOR WALL TILE 48" A.F.F. TO 51" A.F.F.		GT2
	FLOORING (FIELD TILE)	GRANITE	WALLS ABOVE 51" A.F.F.		WC3
	FIELD TILE GROUT	T1	COUNTERTOPS		GRANITE
	FLOORING (BORDER TILE)	GT1	FLOORING (FIELD TILE)		T1
	FLOORING (BORDER TILE)	T2	FIELD TILE GROUT		GT1
	BORDER TILE GROUT***	GT2			
	FLOORING (CARPET INSET)	C2			
FC2 LEASING			FC10 WOMEN'S RESTROOM		
	WALLS	P1	WALLS TO 48" A.F.F.		T2
	CEILING	P2	GROUT FOR WALL TILE TO 48" A.F.F.		GT2
	TRIM, COLUMNS, LIGHT PANEL, BASE	S1	WALLS 48" A.F.F. TO 51" A.F.F. (SURFACE BULLNOSE)		T3
	LIGHT PANEL RESIN INSERT	ACRYLIC	GROUT FOR WALL TILE 48" A.F.F. TO 51" A.F.F.		GT2
	INTERIORS OF LIGHT PANEL	P4	WALLS ABOVE 51" A.F.F.		WC2
	FLOORING (FIELD TILE)	T1	COUNTERTOPS		GRANITE
	FIELD TILE GROUT	GT1	FLOORING (FIELD TILE)		T1
FC3 MANAGER, ASST. MGR.			FC11 FITNESS		
	WALLS	P1	WALLS		P1
	CEILING	P2	CEILING		P2
	DOORS, BASE	S1	SIDES OF SOFFITS		P1
	FLOORING (CARPET)	C2	BOTTOMS OF SOFFITS		P2
FC4 STORAGE			FC12 KITCHEN		
	WALLS	P1	GYP WALLS		P1
	CEILING	P2	CEILING PANELING		S1
	DOOR	P3	SIDES OF SOFFITS ABOVE PANTRY		S1
	FLOORING	VCT	CABINETS & BASE		S1
	BASE	RUBBER	COUNTERTOP		GRANITE
FC5 WORKROOM			FC13 GREAT ROOM, BUSINESS CENTER, INTERNET CAFE		
	WALLS	P1	GYP WALLS		P1
	CEILING	P2	CEILING PANELING		S1
	DOOR	S1	GYP CEILING		P1
	CABINETRY	P3	SIDES OF HEXAGONAL GYP SOFFIT		P2
	COUNTERTOPS	LAMINATE 1	BOTTOM OF HEXAGONAL GYP SOFFIT		P2
	FLOORING	VCT	CABINETS & BASE		S1
	BASE	RUBBER	COUNTERTOPS		QUARTZ
FC6 CLUB/LEASING CORRIDOR			FC14 GAMES		
	WALLS	P1	WALLS		P1
	CEILING	P2	WALL ABOVE DRINK LEDGE INSIDE TRIMS		WC4
	TRIM, COLUMNS, BASE	S1	CEILING		P2
	FLOORING (CARPET)	C1	TRIMS, PANELING BELOW DRINK LEDGE & TV WALL		S1
FC7 CORRIDOR @ ELEVATOR			FC15 RESTROOMS VESTIBULE		
	WALLS	P1	WALLS		P1
	CEILING	P2	CEILING		P2
	BASE	S1	DOORS		P3
	FLOORING (FIELD TILE)	T1	BASE		S1
	FIELD TILE GROUT	GT1	DRINK LEDGE & ARCADE NICHE COUNTERTOP		QUARTZ
FC8 MAIL ROOM			FC15 RESTROOMS VESTIBULE		
	WALLS	P1	WALLS		P1
	CEILING	P2	CEILING		P2
	TRIM, CABINETRY, BASE	P3	DOORS		P3
	FLOORING (FIELD TILE)	T1	BASE		S1
	FIELD TILE GROUT	GT1	FLOORING (FIELD TILE)		T1
	MAIL BOXES	METAL 1	FIELD TILE GROUT		GT1

© 2012 M. FORD & ASSOCIATES, INC.
THIS DOCUMENT IS PUBLISHED AS AN INSTRUMENT OF SERVICE AND IS GIVEN IN CONFIDENCE. IT REMAINS THE PROPERTY OF M. FORD & ASSOCIATES, INC. THIS DOCUMENT AND THE INFORMATION CONTAINED HEREIN MAY NOT BE DUPLICATED OR DISCLOSED WITHOUT WRITTEN CONSENT OF M. FORD & ASSOCIATES, INC., HOUSTON, TEXAS



m. ford & associates
interior design
99 deterring street
suite 165
houston, tx 77007
phone 713-630-0800
fax 713-630-0814
mford@mfordassociates.com
www.mfordassociates.com



SHEET NO.

ID.FS.1

REVISED FOR CONSTRUCTION
MAY 16, 2012

FLOOR FINISH SCHEDULE						
DESCRIPTION	MFG	STYLE #	STYLE NAME	COLOR NAME	COLOR #	SPECIAL INSTRUCTIONS
T1	12"x24" PORCELAIN TILE	INTERCERAMIC		GLOW	MOON	INSTALL PER ID DWGS USING GT1 GROUT
T2	12"x24" PORCELAIN TILE	INTERCERAMIC		GLOW	COSMOS	INSTALL PER ID DWGS USING GT2 GROUT
GT1	GROUT	CUSTOM BUILDING PRODUCTS			OYSTER GRAY	386
GT2	GROUT	CUSTOM BUILDING PRODUCTS			DOVE GRAY	370
C1	BROADLOOM CARPET	H+J INVISION	9708	FLOORED II	MESMERIZED	1441 DIRECT GLUE-DOWN, NO PAD
C2	BROADLOOM CARPET	CONSTANTINE	C275C26	LINDSTROM	MAIN STREET	C-26 DIRECT GLUE-DOWN, NO PAD
VCT	12" SQ. TILES	ARMSTRONG		STONETEX	STONE WHITE	52127
R1	RUBBER SHEET FLOORING	NORA	925 GRANO	NORAMENT	VERMILLION	866

SPECIALTY LIGHT FIXTURES										
QUANTITY	TAG	MANUF.	FIXTURE INFORMATION	VOLTS	MOUNTING	LAMPS	DESCRIPTION	FINISH	OVERALL HEIGHT	LOCATION
1	1	LUSIVE	"MANIFESTO" MODEL (CUSTOMIZED)	120V	CHANDELIER	(12) 40W G9 HALOGEN (ON DIMMER)	42" DIA. X 32" OAH WITH DOUBLE-LAMINATED FIRE RED ART GLASS. MIRROR-POLISHED CHROME ARMS & MIRROR-POLISHED CHROME GLOBE @ CENTER. CONTACT: MEREDITH LUCKERT 713-588-1877, mdesign@yaho.com. REFER TO ESTIMATE #1210.1 LEAD TIME 14-18 WKS ON RECEIPT OF DEPOSIT. APPROVAL OF SHOP DRAWINGS AND FINISH SAMPLES	FIRE RED ART GLASS & POLISHED CHROME	32" OAH	MOUNTED FROM CEILING AT COFFERED AREA IN LOBBY
3	3	FLOS USA	#FU593330 "RAY S"	120V	PENDANT	T10 250W MEDIUM BASE FROSTED (ON DIMMERS)	16.8" DIA x 10.8" H WITH "GLASS GREY" DIFFUSER	BLACK PAINTED METAL	61.5" OAH	BILLIARDS FIXTURE MOUNTED IN CENTER OF GREAT ROOM DROPPED SOFFIT
6	4	OCL	UA1-CINA-51-MW-BAL	120V	SURFACE MOUNT	(6) 28W T5 TYPE 2LF 28	3.5" D x 3" H x 5.1" LG. MATTE WHITE DIFFUSER	BRUSHED ALUMINUM	N/A	LEASING/CLUB CORRIDOR
4	5	EMERSON FANS	#CF252CRM "CURVA"	120V	SURFACE (4.5" DOWNRODS INCL.)	NO LIGHT KIT	CHROME HOUSING & CHROME BLADES	CHROME	N/A	FITNESS
3	9	STONE LIGHTING	#PD178 "ROCK CANDY"	120V	PENDANT	(3) MR16 50W	2.75" DIA x 16.75" H WITH CR (CLEAR) COLOR CRYSTALS. CONTACT: www.stonelight.com	POLISHED NICKEL	66.5" OAH	BUSINESS CENTER
1	10	STONEGATE DESIGNS	CUSTOM "NECTAR" DRUM SHADE	120V	SURFACE	TBD	SHADE: 40" DIA x 16" H FABRIC COLOR: #614 PCV WITH BOTTOM DIFFUSER & MOUNTED ON STEMICANOPY. CONTACT: www.stonegate.com LONG LEAD TIME	BRUSHED NICKEL #P06	20" OAH	LEASING/CLUB CORRIDOR
2	11A	OCL	#DOI-SISA-24-MW-BAL	120V	WALL MOUNT	(4) 14W T5 TYPE 2LF 14	57H x 37D x 24" L MATTE WHITE DIFFUSER	BRUSHED ALUMINUM	SEE DWG. ID.3 FOR JUNCTION BOX EL	GAMES
2	11B	OCL	#DOI-SISA-89-MW-BAL	120V	WALL MOUNT	(4) 28W T5 TYPE 4LF 28	57H x 37D x 89" L MATTE WHITE DIFFUSER	BRUSHED ALUMINUM	SEE DWG. ID.3 FOR JUNCTION BOX EL	GAMES

PAINT ALL RECESS CAN RIMS TO MATCH CEILINGS

WALL FINISH SCHEDULE					
DESCRIPTION	MFG	COLOR #	COLOR NAME	FINISH	SPECIAL INSTRUCTIONS
P1	PAINT	SHERWIN WILLIAMS	SW-7043	WORLDLY GRAY	FLAT
P2	PAINT	SHERWIN WILLIAMS	SW-7042	SHOJI WHITE	FLAT
P3	PAINT	SHERWIN WILLIAMS	SW-7044	AMAZING GRAY	SEMI-GLOSS
P4	PAINT	SHERWIN WILLIAMS	SW-7050	USEFUL GRAY	SEMI-GLOSS
WC1	WALLCOVERING	MAYA ROMANOFF	MR-D2-2699-5	N/A	N/A
WC2	VINYL WALLCOVERING	SEABROOK	A0-60708	N/A	N/A
WC3	VINYL WALLCOVERING	TRIKES	E2-MO-12	N/A	N/A
WC4	VINYL WALLCOVERING	TRIKES	SG1-03	GLIMMER "SILVER"	N/A
T1	12"x24" PORCELAIN TILE	INTERCERAMIC		GLOW "MOON"	N/A
GT1	GROUT	CUSTOM BUILDING PRODUCTS	386	OYSTER GRAY	N/A
MT	MOSAIC TILE	INTERCERAMIC	SHIMMER BLEND	FROST	N/A
T2	12"x24" PORCELAIN TILE	INTERCERAMIC		GLOW "COSMOS"	N/A
GT2	GROUT	CUSTOM BUILDING PRODUCTS	370	DOVE GRAY	N/A
T3	TILE BULLNOSE	INTERCERAMIC	3"x24"	COSMOS	N/A
S1	STAINED WOOD	BY BUILDER	BY BUILDER	SATIN SHEEN	CUSTOM CABINETRY TO BE CONSTRUCTED OF FURNITURE QUALITY VENEERS AND NOMINAL WOOD TRIM COMPONENTS. STAIN GRADE CONSTRUCTION SHOULD BE FREE OF DEFECTS AND HAVE A SMOOTH, FINE GRAINED APPEARANCE. STAIN GRADE WOOD TRIM COMPONENTS ARE TO BE OF SAME WOOD SPECIES AS STAIN GRADE VENEERS.

ADDITIONAL FINISHES							
DESCRIPTION	SOURCE	ITEM #	COLOR NAME	COLOR #	FINISH	SPECIAL INSTRUCTIONS	
LIGHT PANEL INTERIOR COATING	REFLECTIVE COATING	SHERWIN WILLIAMS	ENAMEL	SNOWBOUND	SW7004	HIGH GLOSS APPLIED AT INTERIOR OF LIGHT PANEL ONLY	
QUARTZ	MANUFACTURED QUARTZ SURFACE	DAL-TILE	NO09	QUARTZITE SLAB	WOVEN WOOL	N/A POLISHED 2 CM THK.	
GRANITE	GRANITE SLAB	DAL-TILE		IMPALA BLACK	G-701	POLISHED 2 CM THK.	
ACRYLIC	LOBBY LIGHT PANEL	3-FORM	CHROMA C3 1/2" THK.	CUSTOM 4x8	VARIA ECORESN POMEGRANATE + POMEGRANATE + SANDSTONE	USE QUOTE #WQ-350189-ICE & SEE ITEM "3" IN INTERIOR DESIGNER'S SPECIFICATION DOCUMENT, ID.DOC.1	
LAMINATE 1	WORKROOM	WILSONART		CARION EV	4820-60	MATTE	
LAMINATE 2	FITNESS TOWEL CABINET	WILSONART		GALACTIC BLACK	4799K-07	MATTE	
METAL 1	MAILBOXES	BY ARCHITECT		BRUSHED STAINLESS, OR ANODIZED ALUMINUM		SELECT MFG'S FINISH BASED ON COLOR DESCRIPTION	
RUBBER	RUBBER BASE	JOHNSONITE		WHITE SAND	68		
PLUMBING HARDWARE	RESTROOM FAUCETS	KOHLER	K-14760-4-SN	STANCE	N/A	SN VIBRANT BRUSHED NICKEL ITEM #2 IN ID.DOC.1	
PLUMBING HARDWARE	RESTROOM LAVATORIES	KOHLER	K-2330-G	KATHRYN	WHITE	0 GLAZED BOTTOM ITEM #1 IN ID.DOC.1	
PLUMBING HARDWARE	KITCHEN FAUCET	KOHLER	K-6331-SN	EVOKE	N/A	SN VIBRANT BRUSH NICKEL ITEM #4 IN ID.DOC.1	
PLUMBING HARDWARE	COFFEE BAR FAUCET	KOHLER	K-6355-SN	EVOKE 7	N/A	SN VIBRANT BRUSH NICKEL ITEM #5 IN ID.DOC.1	
PLUMBING HARDWARE	COFFEE BAR SINK	JUST MFG.	US-ADA-13538-A	UNDER-MOUNT	N/A	N/A STAINLESS STEEL ITEM #6 IN ID.DOC.1	
PLUMBING HARDWARE	KITCHEN SINK	ELKAY	ELUHAD3118	LUSTERTONE	N/A	N/A STAINLESS STEEL ITEM #7 IN ID.DOC.1	
HVAC GRILLE COATINGS 1	AH1 RETURN AIR GRILLE FINISH & AIR REGISTERS IN FITNESS	SHERWIN WILLIAMS' PAINT	P1	SW-7043	WORLDLY GRAY	SEMI-GLOSS	
HVAC GRILLE COATINGS 2	AH2 & AH4 RETURN AIR GRILLES FINISH & AIR REGISTERS IN LEASING, LOBBY, INTERNET LOUNGE, GAMES & BUSINESS CENTER	SHERWIN WILLIAMS' PAINT	P1	SW-7043	WORLDLY GRAY	SEMI-GLOSS	
HVAC GRILLE COATINGS 3	AH3 RETURN AIR GRILLE FINISH & AH2 REGISTER ABOVE PANTRY IN KITCHEN	BY BUILDER				GRILLES IN STAINED SURFACES SEMI-GLOSS PAINT TO MATCH STAIN @ VENEER PANELED WALL	
HVAC GRILLE COATINGS 4	AH2 AIR REGISTER IN REAR TILED KITCHEN WALL ABOVE TV	SHERWIN WILLIAMS' PAINT	P4	SW-7050	USEFUL GRAY	SEMI-GLOSS	
HVAC GRILLE COATINGS 5	AH5 RETURN AIR GRILLE FINISH & AIR REGISTERS IN MAIL ROOM & CORRIDOR	SHERWIN WILLIAMS' PAINT	P2	SW-7042	SHOJI WHITE	SEMI-GLOSS	

Finish Combination Schedule**	
**USE THIS SCHEDULE WITH WALL, FLOOR, AND ADDITIONAL FINISHES SCHEDULES	
LEASING & CLUBHOUSE	
FC1	LEASING
WALLS	P1
CEILING	P2
TRIM, COLUMNS, LIGHT PANEL, BASE	S1
COUNTERTOPS	GRANITE
FLOORING (FIELD TILE)	T1
FLOORING (BORDER TILE)	T2
BORDER TILE GROUT***	GT2
FLOORING (CARPET INSET)	C2
FC2	LEASING
WALLS	P1
CEILING	P2
TRIM, COLUMNS, LIGHT PANEL, BASE	S1
LIGHT PANEL RESIN INSERT	ACRYLIC
INTERIORS OF LIGHT PANEL	P5
FLOORING (FIELD TILE)	T1
FIELD TILE GROUT	GT1
FC3	MANAGER, ASST. MGR.
WALLS	P1
CEILING	P2
DOORS, BASE	S1
FLOORING (CARPET)	C2
FC4	STORAGE
WALLS	P1
CEILING	P2
DOOR	P3
FLOORING	VCT
BASE	RUBBER
FC5	WORKROOM
WALLS	P1
CEILING	P2
DOOR	S1
CABINETRY	P3
COUNTERTOPS	LAMINATE 1
FLOORING	VCT
BASE	RUBBER
FC6	CLUB/LEASING CORRIDOR
WALLS	P1
CEILING	P2
TRIM, COLUMNS, BASE	S1
FLOORING (CARPET)	C1
FC7	CORRIDOR @ ELEVATOR
WALLS	P1
CEILING	P2
BASE	S1
FLOORING (FIELD TILE)	T1
FIELD TILE GROUT	GT1
FC8	MAIL ROOM
WALLS	P1
CEILING	P2
TRIM, CABINETRY, BASE	P3
FLOORING (FIELD TILE)	T1
FIELD TILE GROUT	GT1
MAIL BOXES	METAL 1

Finish Combination Schedule (continued)**	
FC9	MENS' RESTROOM
WALLS TO 48" A.F.F.	T2
GROUT FOR WALL TILE TO 48" A.F.F.	GT2
WALLS 48" A.F.F. TO 51" A.F.F. (SURFACE BULLNOSE)	T3
GROUT FOR WALL TILE 48" A.F.F. TO 51" A.F.F.	GT2
WALLS ABOVE 51" A.F.F.	WC3
COUNTERTOPS	GRANITE
FLOORING (FIELD TILE)	T1
FIELD TILE GROUT	GT1
FC10	WOMENS' RESTROOM
WALLS TO 48" A.F.F.	T2
GROUT FOR WALL TILE TO 48" A.F.F.	GT2
WALLS 48" A.F.F. TO 51" A.F.F. (SURFACE BULLNOSE)	T3
GROUT FOR WALL TILE 48" A.F.F. TO 51" A.F.F.	GT2
WALLS ABOVE 51" A.F.F.	WC2
COUNTERTOPS	GRANITE
FLOORING (FIELD TILE)	T1
FIELD TILE GROUT	GT1
FC11	FITNESS
WALLS	P1
CEILING	P2
SIDES OF SOFFITS	P1
BOTTOMS OF SOFFITS	P2
CABINETRY & BASE	P3
COUNTERTOP	LAMINATE 2
FLOORING	R1
FC12	KITCHEN
GYP WALLS	P1
CEILING PANELING	S1
SIDES OF SOFFITS ABOVE PANTRY	S1
CABINETRY & BASE	S1
COUNTERTOP	GRANITE
WALL TILE ABOVE COUNTERTOP (FIELD TILE)	T1
FIELD TILE GROUT	GT1
WALL TILE ABOVE COUNTERTOP (MOSAIC INSET)	MT
MOSAIC INSET GROUT***	GT1
FLOORING (FIELD TILE)	T1
FLOORING FIELD TILE GROUT	GT1
*** USE WHITE MORTAR BED FOR MOSAIC TILES	
FC13	GREAT ROOM, BUSINESS CENTER, INTERNET CAFÉ, DINING
GYP WALLS	P1
CEILING PANELING	S1
GYP CEILING	P2
SIDES OF HEXAGONA GYP SOFFIT	P1
BOTTOM OF HEXAGONAL GYP SOFFIT	P2
CABINETRY & BASE	S1
COUNTERTOPS	QUARTZ
FLOORING (CARPET)	C1
FC14	GAMES
WALLS	P1
WALL ABOVE DRINK LEDGE INSIDE TRIMS	WC4
CEILING	P2
TRIMS, PANELING BELOW DRINK LEDGE & TV WALL	S1
TRIMS, BASE	S1
DRINK LEDGE & ARCADE NICHE COUNTERTOP	QUARTZ
FLOORING (CARPET)	C1
FC15	RESTROOMS VESTIBULE
WALLS	P1
CEILING	P2
DOORS	P3
BASE	S1
FLOORING (FIELD TILE)	T1
FIELD TILE GROUT	GT1

FINISH SCHEDULE & MISC. SPECIFICATIONS

ADDED FABRICATION DETAILS 5-16-12

© 2012 M. FORD & ASSOCIATES, INC. THIS DOCUMENT IS PUBLISHED AS AN INSTRUMENT OF SERVICE AND IS GIVEN IN CONFIDENCE. IT REMAINS THE PROPERTY OF M. FORD & ASSOCIATES, INC. THIS DOCUMENT AND THE INFORMATION CONTAINED WITHIN MAY NOT BE REPRODUCED OR DISCLOSED WITHOUT WRITTEN CONSENT OF M. FORD & ASSOCIATES, INC. HOUSTON, TEXAS



m. ford & associates
interior design
99 detersing street
suite 165
houston, tx 77007
phone 713-630-0800
fax 713-630-0814
mford@mfordassociates.com
www.mfordassociates.com

drawn by: Queen of the World

SHEET NO.

ID.FS.1