

KELLER SPRINGS CLUBHOUSE
ADDISON, TX

ISSUED FOR PRESENTATION
NOVEMBER 9, 2011

© 2011 M. FORD & ASSOCIATES INC.
THIS DOCUMENT IS PUBLISHED AS AN INSTRUMENT OF SERVICE AND IS GIVEN IN CONFIDENCE. IT REMAINS THE PROPERTY OF M. FORD & ASSOCIATES, INC. AND THE INFORMATION CONTAINED HEREIN MAY NOT BE DUPLICATED, USED, OR DISCLOSED WITHOUT WRITTEN CONSENT OF M. FORD & ASSOCIATES, INC. HOUSTON, TEXAS



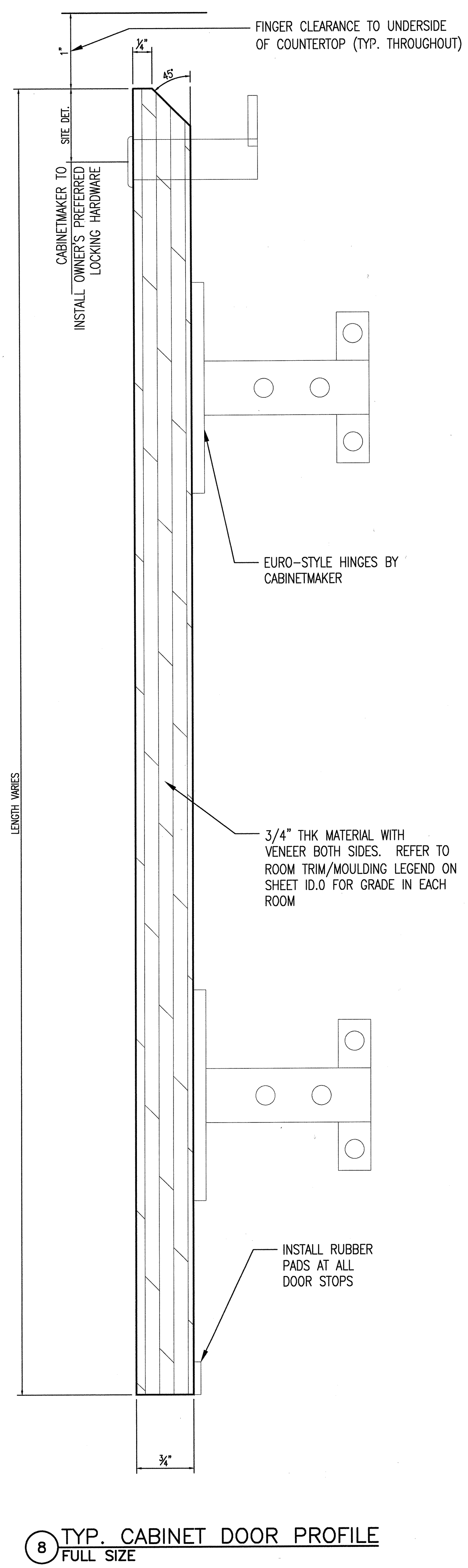
m. ford & associates
interior design
99 detersing street
suite 165
houston, tx 77007
phone 713-630-0800
fax 713-630-0814
mford@mfordassociates.com
www.mfordassociates.com

drawn by: Queen of the World

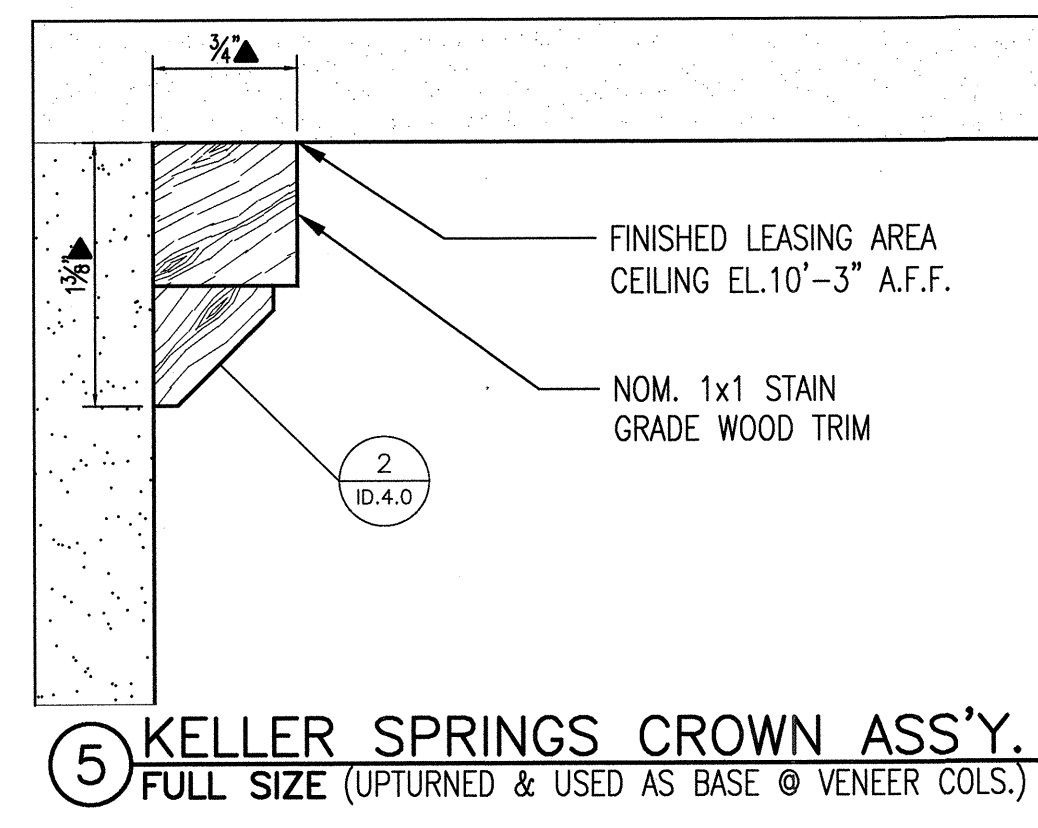
SHEET NO.

ID.4.0

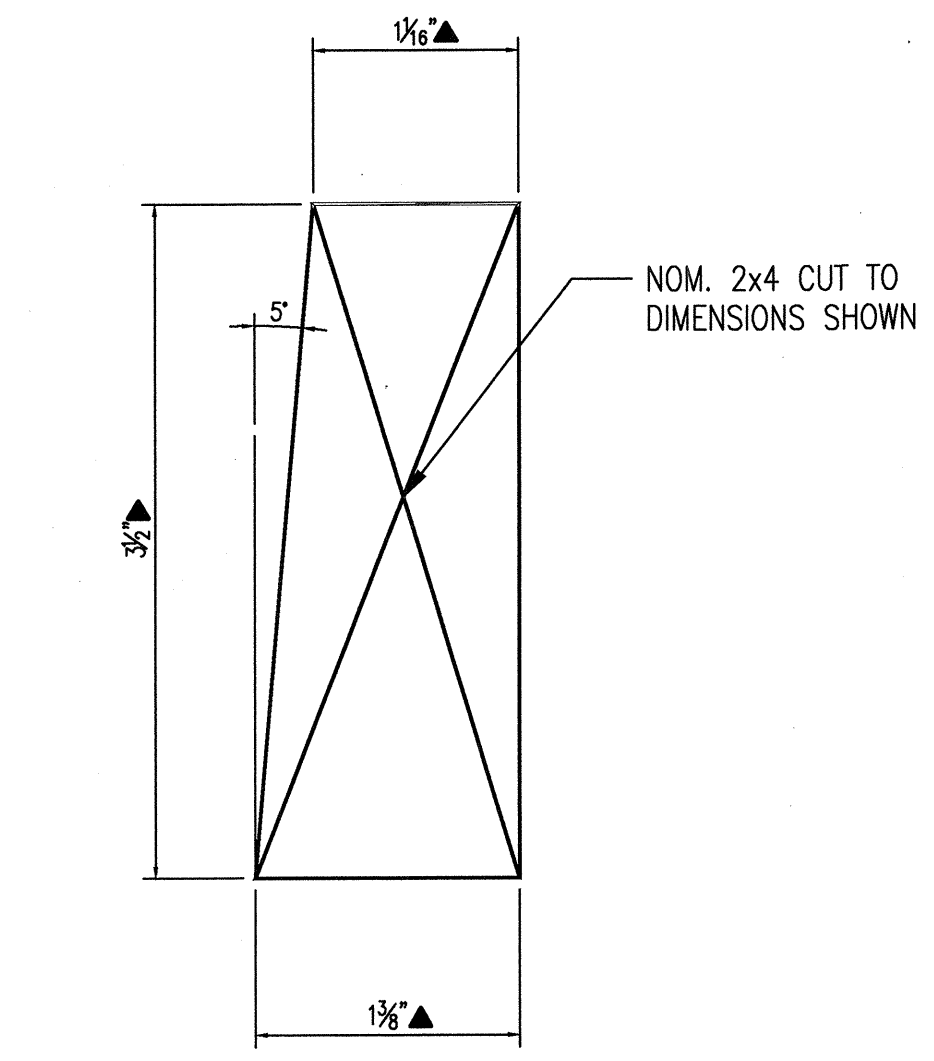
TRIMS & MISC. DETAILS



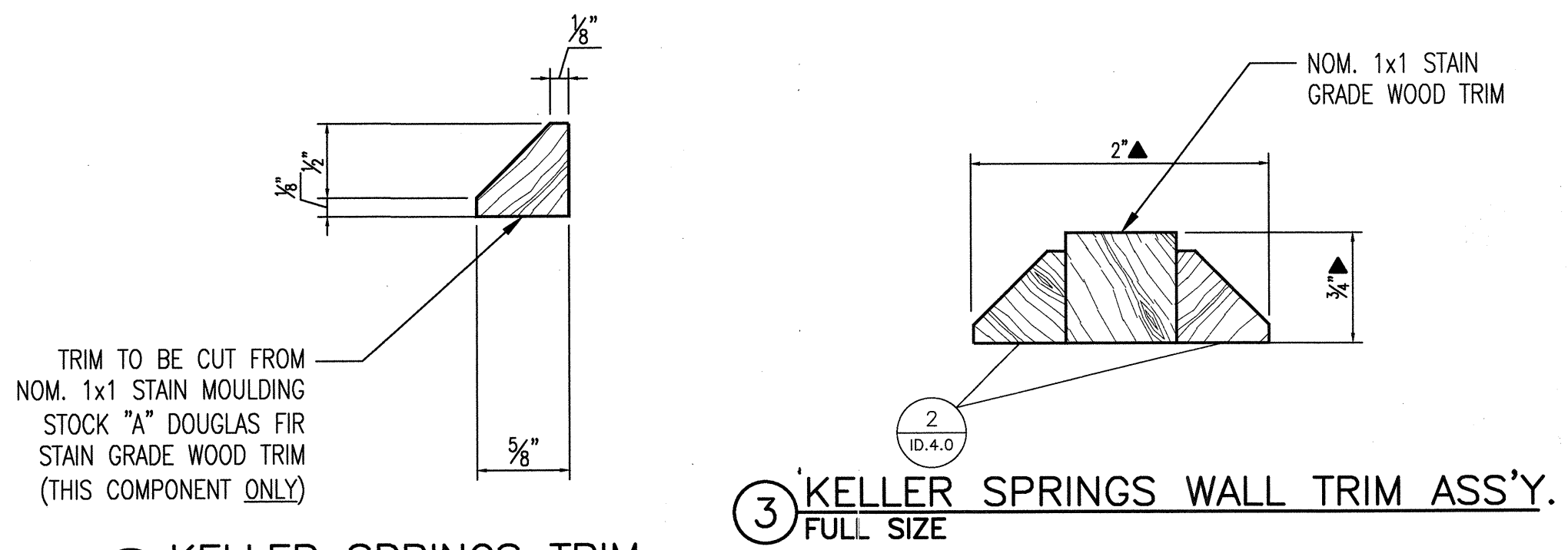
8 TYP. CABINET DOOR PROFILE
FULL SIZE



5 KELLER SPRINGS CROWN ASS'Y.
FULL SIZE (UPTURNED & USED AS BASE @ VENEER COLS.)

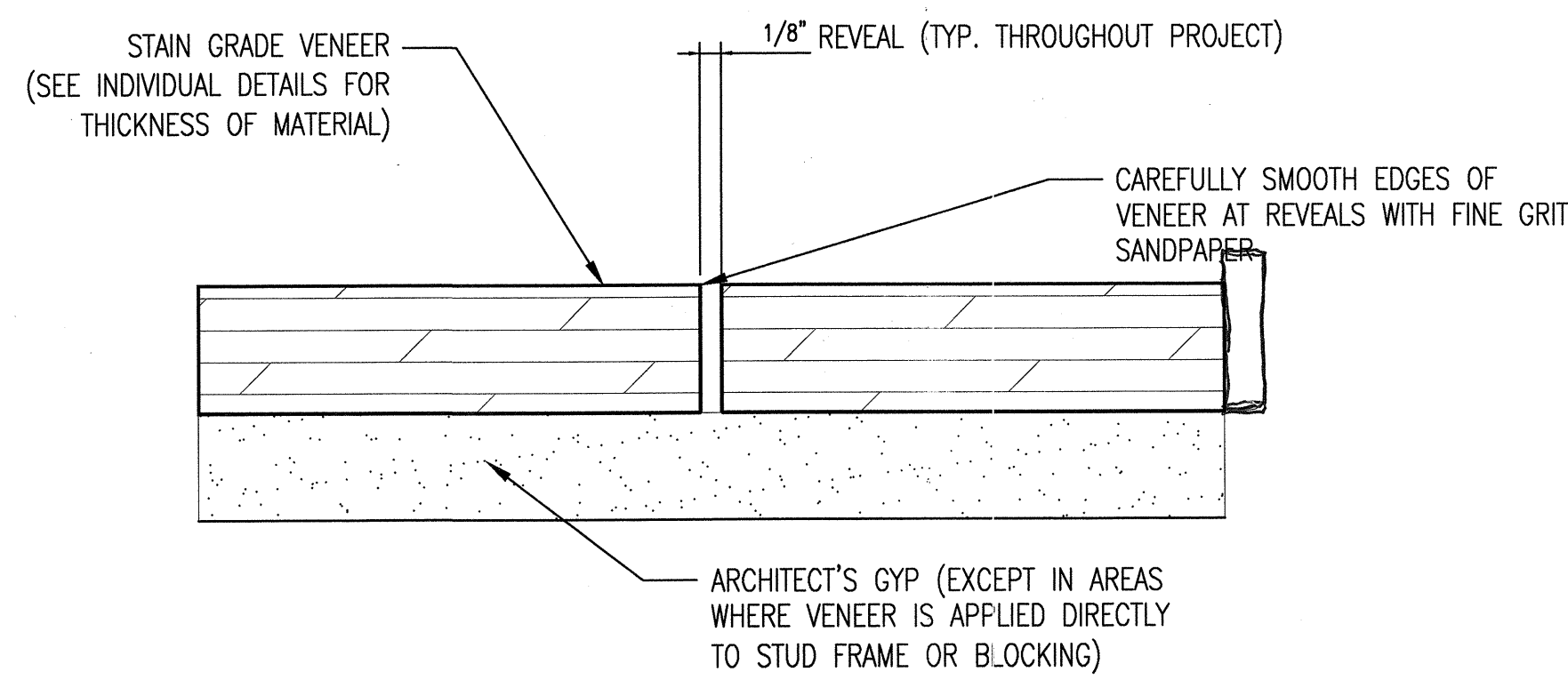


7 TYPICAL COLUMN BLOCKING
FULL SIZE (USED @ ALL COLS. SEE DETAILS '9\"/>

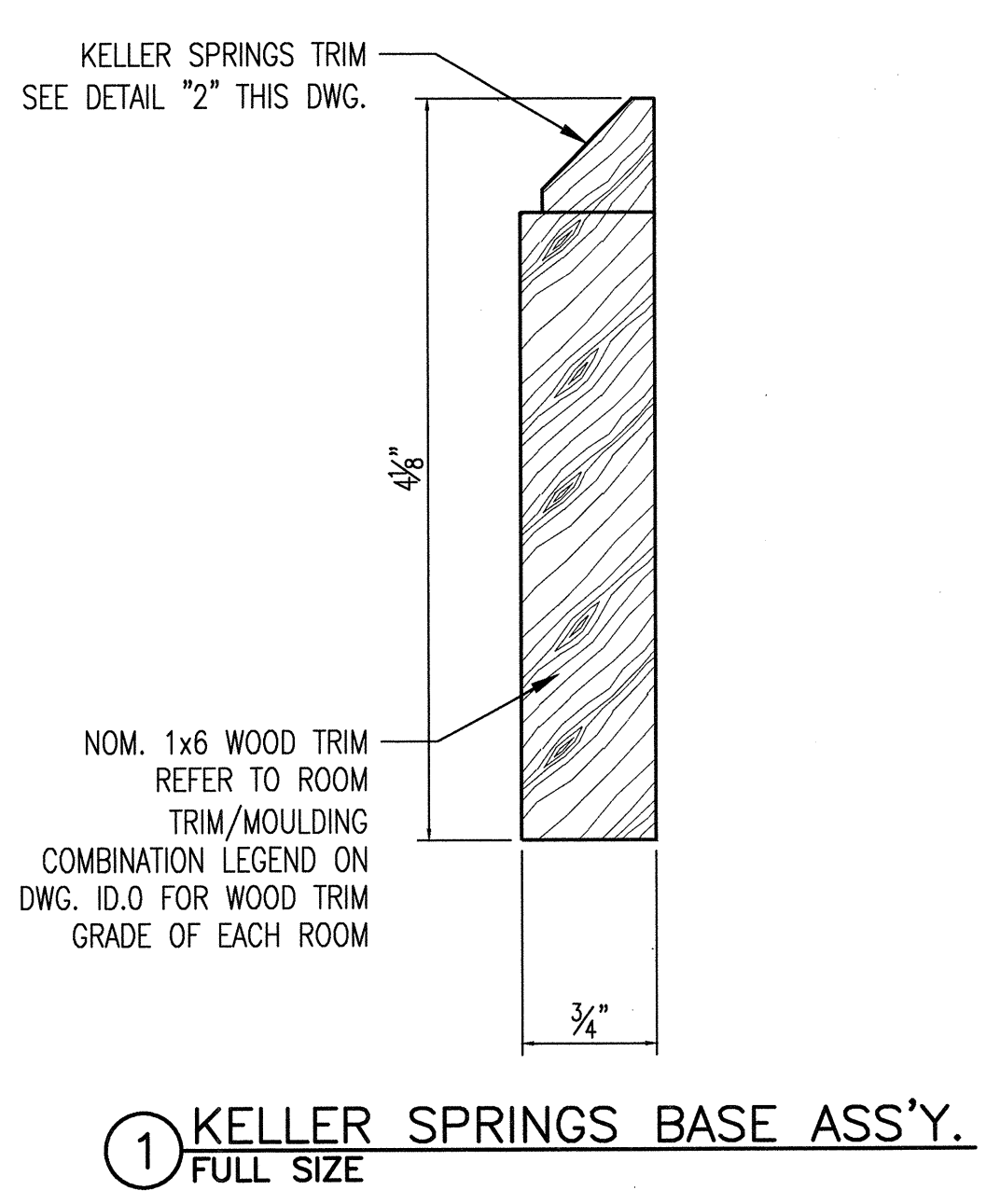


3 KELLER SPRINGS WALL TRIM ASS'Y.
FULL SIZE

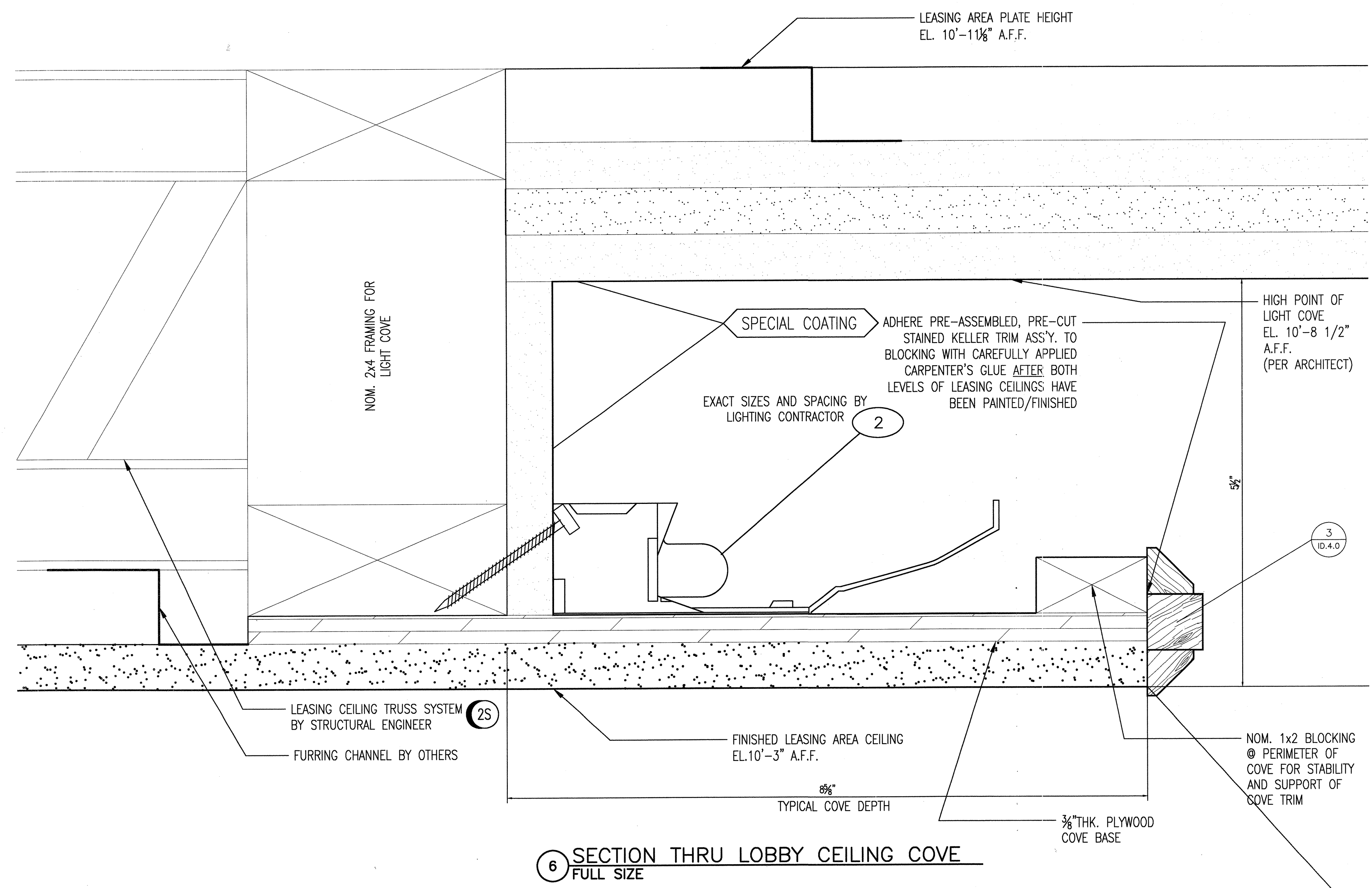
2 KELLER SPRINGS TRIM
FULL SIZE



4 TYP. VENEER REVEAL
FULL SIZE



1 KELLER SPRINGS BASE ASS'Y.
FULL SIZE



6 SECTION THRU LOBBY CEILING COVE
FULL SIZE

25