

REVISED FOR CONSTRUCTION
MAY 16, 2012

SECTIONS THRU LOBBY ELEMENTS &
GAMES ROOM TRIM ASSYS.

ADDED FABRICATION DETAILS 5-16-12

© 2012 M. FORD & ASSOCIATES INC.
THIS DOCUMENT IS PUBLISHED AS AN INSTRUMENT OF SERVICE AND IS GIVEN IN CONFIDENCE. IT REMAINS THE PROPERTY OF M. FORD & ASSOCIATES, INC. THIS DOCUMENT AND THE INFORMATION CONTAINED WITHIN MAY NOT BE REPLICATED OR DISCLOSED WITHOUT WRITTEN CONSENT OF M. FORD & ASSOCIATES, INC. HOUSTON, TEXAS

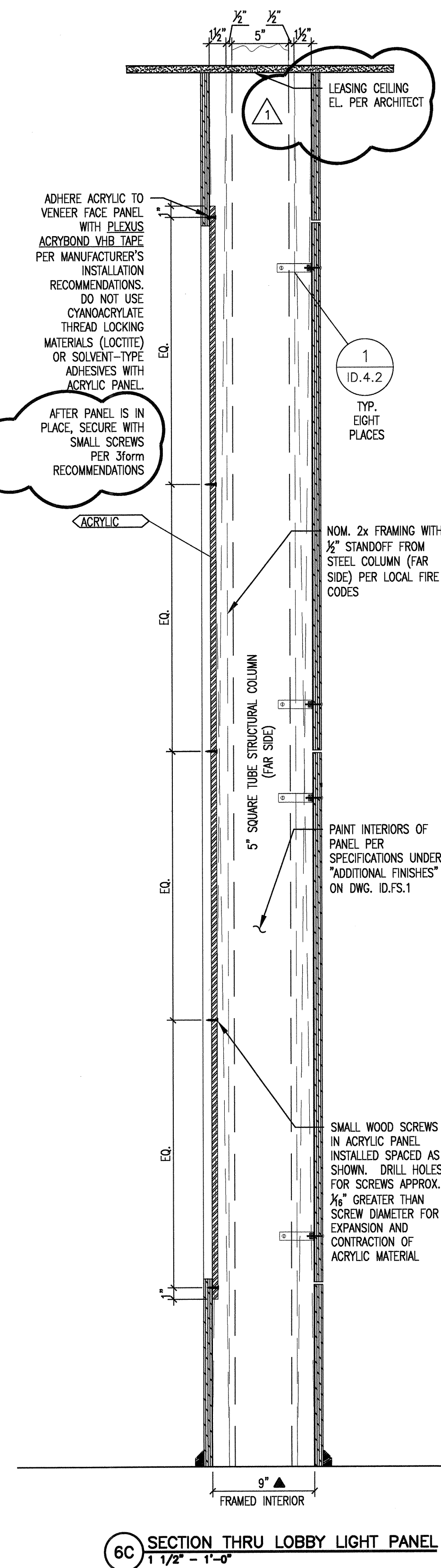
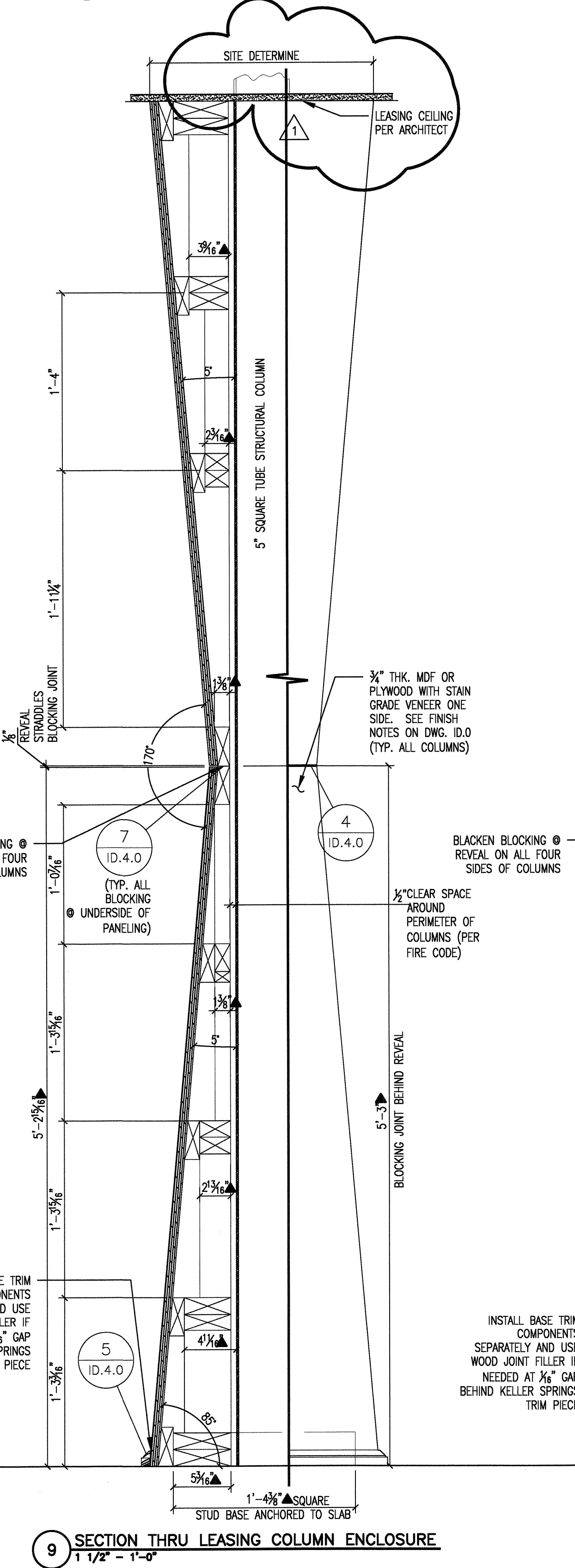
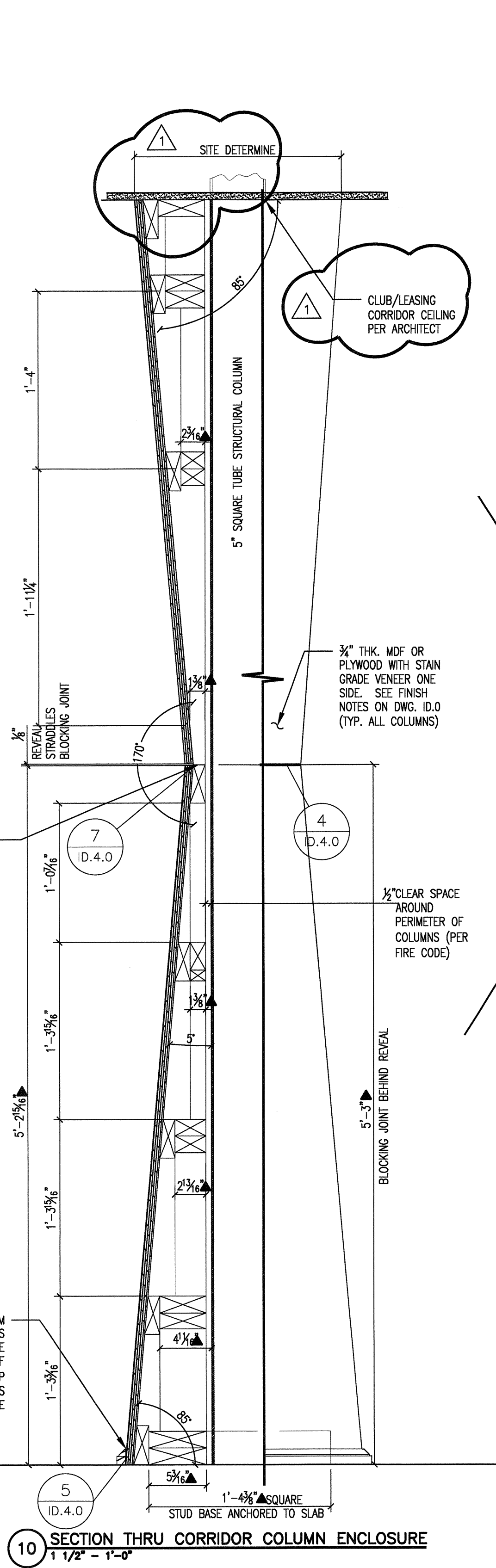
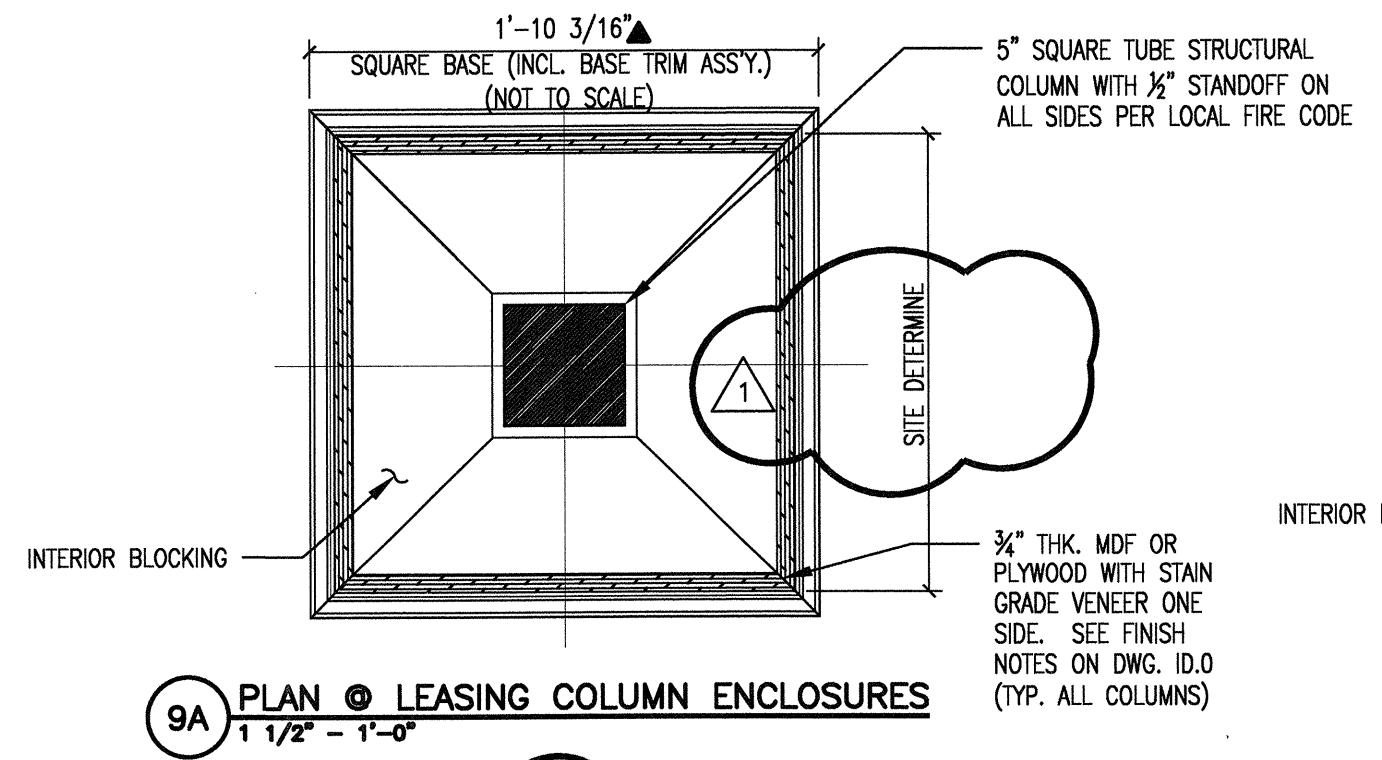
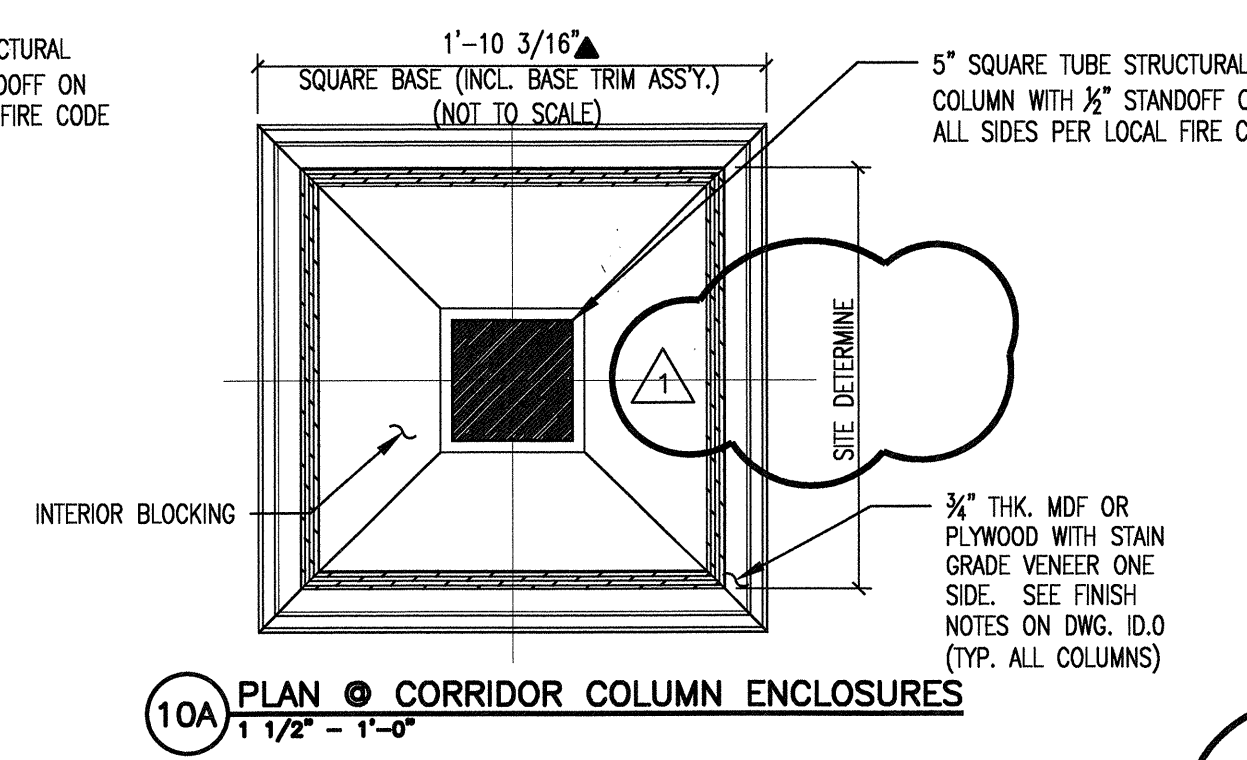
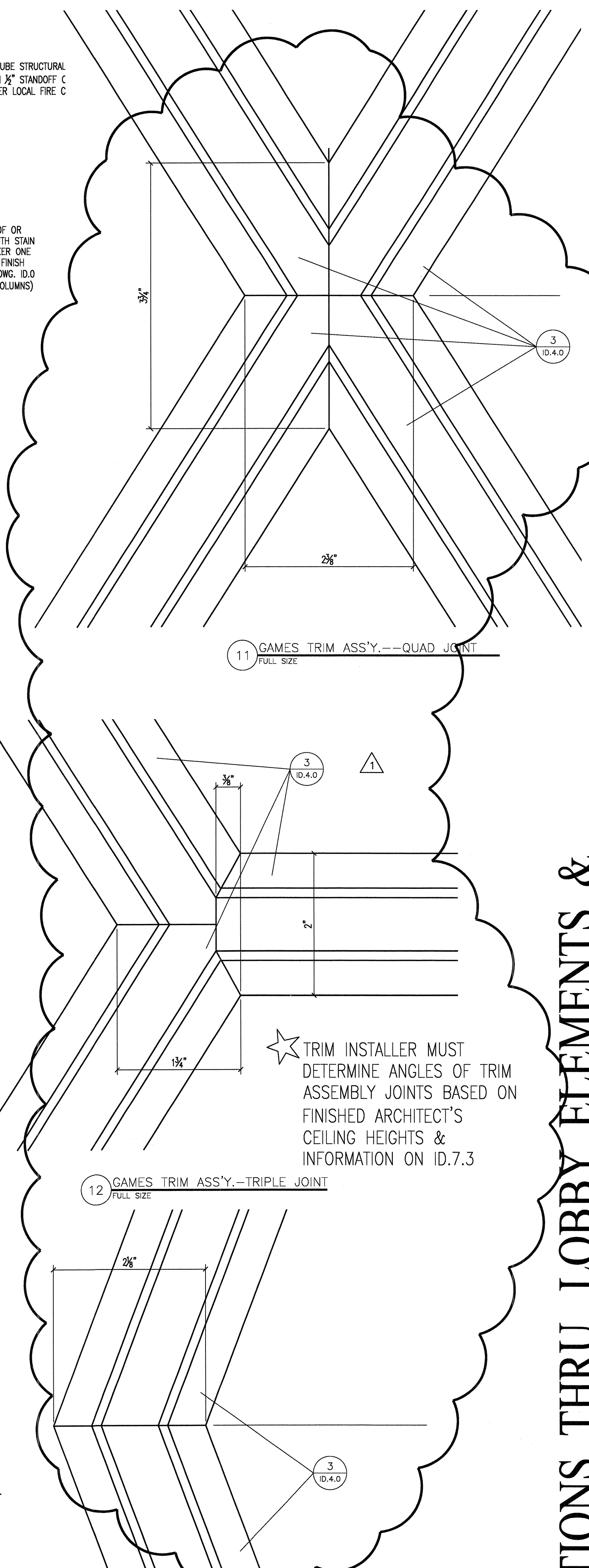


m. ford & associates
interior design
99 detersing street
suite 165
houston, tx 77007
phone 713-630-0800
fax 713-630-0814
mford@mfordassociates.com
www.mfordassociates.com

drawn by:
Queen of the World

SHEET NO.

ID.4.1



ADHERE ACRYLIC TO VENEER FACE PANEL WITH PLEXUS ACRYBOND VHB TAPE PER MANUFACTURER'S INSTALLATION RECOMMENDATIONS. DO NOT USE CYANOACRYLATE THREAD LOCKING MATERIALS (LOCTITE) OR SOLVENT-TYPE ADHESIVES WITH ACRYLIC PANEL.

AFTER PANEL IS IN PLACE, SECURE WITH SMALL SCREWS PER 3form RECOMMENDATIONS

