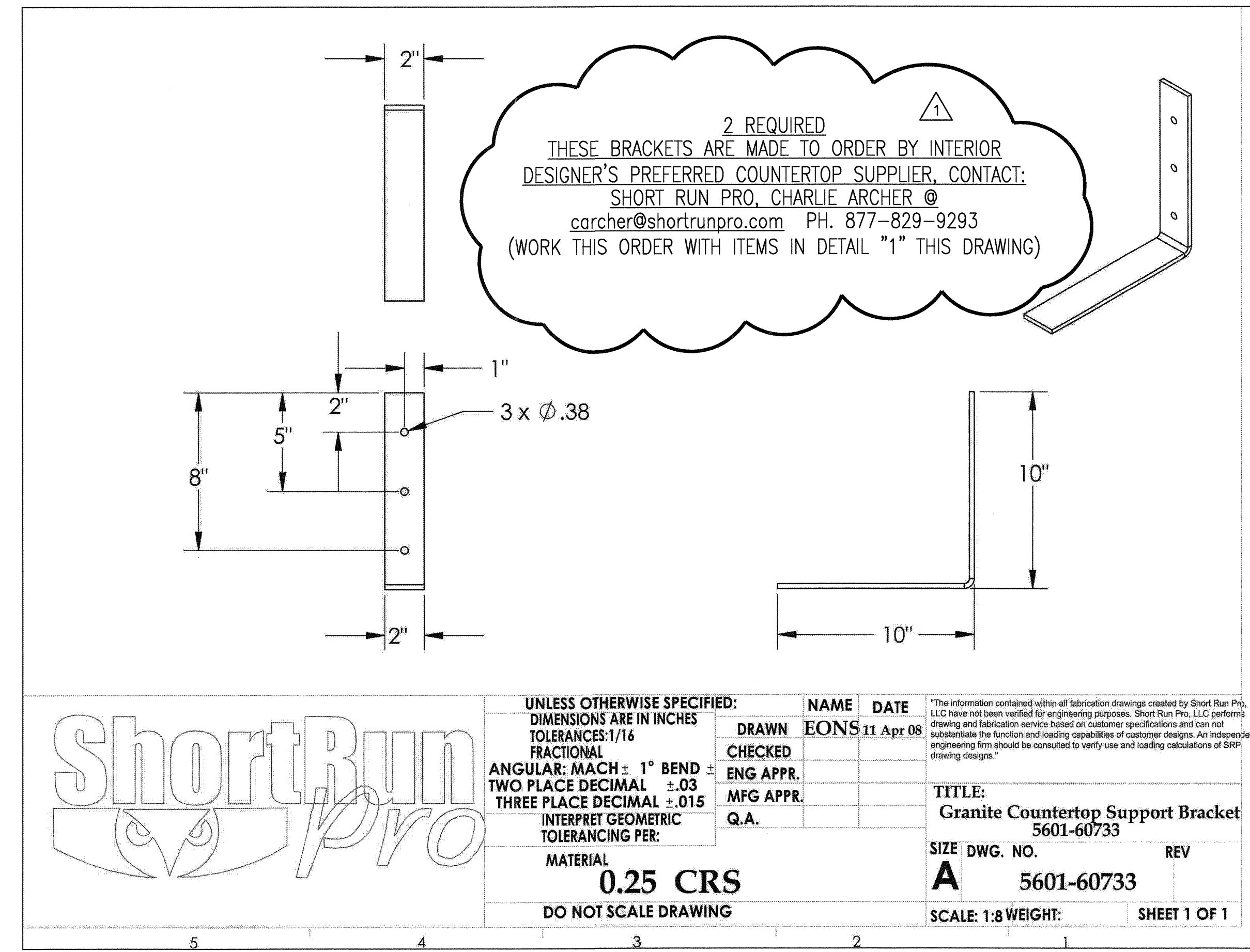


1 MOUNTING ANGLE FOR VARIOUS REMOVABLE COMPONENTS FULL SIZE

THESE CUSTOM BRACKETS CAN BE MADE TO ORDER BY INTERIOR DESIGNER'S PREFERRED COUNTERTOP SUPPLIER. CONTACT: SHORT RUN PRO, CHARLIE ARCHER @ carcher@shortrunpro.com PH. 877-829-9293



2 GRANITE COUNTERTOP ANGLE BRACKET FULL SIZE

UNLESS OTHERWISE SPECIFIED: DIMENSIONS ARE IN INCHES TOLERANCES: 1/16 FRACTIONAL ANGULAR: MACH ± 1° BEND ± TWO PLACE DECIMAL ±.03 THREE PLACE DECIMAL ±.015 INTERPRET GEOMETRIC TOLERANCING PER: MATERIAL 0.25 CRS DO NOT SCALE DRAWING	NAME DATE DRAWN EONS 11 Apr 08 CHECKED ENG APPR. MFG APPR. Q.A.	TITLE: Granite Countertop Support Bracket 5601-60733 SIZE DWG. NO. A 5601-60733 REV SCALE: 1:8 WEIGHT: SHEET 1 OF 1
---	---	---

UNDERMOUNT GROUP

ADA COMPLIANT

US-ADA-SERIES - A - 18 GA.

SUBMITTAL DATA

SPECIFICATION

Seamless die-drawn construction of type 304, 18-8 stainless steel. Interior and top surfaces polished to a non-porous Hand-Blended Just Finish with highlighted bowl rim. Fully coated underside insulates for sound, and absorbs condensation. Conforms to ASME/ANSI A112.19.3M. Furnished with undermount clips less fasteners. Drain punch #35 centered for Just J-35 unless otherwise specified.

MODEL NO.	A	B	C	D	DEPTH
US-ADA-13518-A*	13-1/2	18	11-1/2	16	4-1/2 to 6-1/2
US-ADA-1618-A*	16	18	14	14	4-1/2 to 6-1/2
US-ADA-1818-A	18	18	14	16	4-1/2 to 6-1/2
US-ADA-1820-A	18	20	14	18	4-1/2 to 6-1/2
US-ADA-1818-A	18	18	16	16	4-1/2 to 6-1/2
US-ADA-1821-A	18	21	16	19	4-1/2 to 6-1/2
US-ADA-1824-A	18	24	16	22	4-1/2 to 6-1/2
US-ADA-1830-A	18	30	16	28	4-1/2 to 6-1/2

*AVAILABLE DRAIN CENTERED ONLY

JUST MFG. COMPANY CONTINUES TO MAKE QUALITY AND FUNCTIONALITY A MARK OF THE JUST PRODUCT LINE. TO DO SO REQUIRES THAT WE RESERVE THE RIGHT TO CHANGE PRODUCT INFORMATION WITHOUT NOTICE. FOR THE MOST CURRENT AND ACCURATE INFORMATION REGARDING THE COMPLETE LINE OF JUST SINKS, FAUCETS AND DRAINS, CLICK ON THE SPEC LINE DRAWINGS LINK ON OUR WEB SITE AT www.justmfg.com

Job Name: _____
Customer: _____
Architect/Engineer: _____

APPROVED FOR MANUFACTURING

MODEL NO. _____ QTY. _____
COMPANY: _____

TITLE: _____ DATE: _____

SIGNATURE: _____

DRAIN LOCATION MUST BE SPECIFIED. CENTER (SHOWN) LEFT REAR RIGHT REAR CENTER REAR

LOCATIONS MUST BE A MINIMUM OF 4 1/2" FROM THE BOWL WALL.

JUST MANUFACTURING COMPANY
9233 KING STREET - FRANKLIN PARK - ILLINOIS - 60131-2111
PH: 847-678-8150 - FAX: 847-678-6817
E-MAIL: custserv@justmfg.com - www.justmfg.com

3 COFFEE BAR SINK SPECIFICATION (ADA COMPLIANT) NO SCALE

ELKAY Installation Instructions
sinks + faucets

PLAUH, PODUH, AND ELUHAD Series Undermount Stainless Steel Sinks with 1/2" Reveal Countertop Installation

ATTENTION INSTALLER:

- ELKAY RECOMMENDS THAT UNDERMOUNT SINKS SHOULD BE INSTALLED BY A PROFESSIONAL EXPERIENCED INSTALLER.
- WARNING: THE ENCLOSED CUTOUT TEMPLATE WILL CREATE A COUNTERTOP OPENING THAT WILL EXPOSE APPROXIMATELY 1/2" OF SINK RIM LEDGE. IT IS RECOMMENDED THAT YOU DISCUSS THIS WITH YOUR CUSTOMER AND AGREE THAT THIS FINISHED APPEARANCE IS THE DESIRED EFFECT. ELKAY IS NOT RESPONSIBLE FOR IMPROPER SINK OR COUNTERTOP INSTALLATIONS. DUE TO THE AESTHETIC QUALITIES OF THE CONVERGING BOWL RADIUS, THE TEMPLATE FURNISHED WITH EACH SINK PROVIDES THE ONLY OPENING RECOMMENDED FOR INSTALLATION OF ELKAY UNDERMOUNT SINKS. SEE ILLUSTRATION BELOW.
- ELKAY UNDERMOUNT SINKS SHOULD ONLY BE FASTENED TO A SOLID SURFACE COUNTERTOP (I.E. GRANITE/CORIAN®/SILESTONE®).
- ELKAY IS NOT RESPONSIBLE FOR SINK OR COUNTERTOP IF DAMAGED DURING INSTALLATIONS.
- METAL EDGES MAY BE SHARP - USE CAUTION WHEN HANDLING.
- FOLLOW ALL LOCAL PLUMBING AND BUILDING CODES.
- INSPECT SINK FOR DAMAGE PRIOR TO BEGINNING INSTALLATION.

INSTALLING SINK

- Position template on countertop. Locate the template front to rear, so that sink will not interfere with the cabinet.
- Trace a line around the template. Cut along the inside of this line to provide opening. This size opening will provide approximately a 1/2" Reveal. (Please see item #2 under Attention Installer.)
- Locate and drill the mounting holes (following the countertop manufacturer's instructions) as shown below. Holes should allow even spacing of mounting brackets around the sink. Type of fasteners to be as recommended by countertop supplier.
- Fasten mounting brackets to countertop loosely.
- Using a good quality silicone caulk, apply a bead evenly all around the top of the sink flanges.
- Position and align sink over the countertop opening. Press silicone onto countertop.
- Tighten fasteners until mounting brackets are snug against sink.
- Check alignment of sink to countertop opening.
- Tighten down fasteners evenly. Be careful not to overtighten. Remove excess silicone.

4 KITCHEN SINK SPECIFICATION (ADA COMPLIANT) NO SCALE

ELKAY SPECIFICATIONS

Lustertone® Undermount Double Bowl Sink Model ELUHAD Series -A.D.A. Compliant

GENERAL
Highest quality sink formed of # 18 (1.2mm) gauge, type 304 (18-8) nickel bearing stainless steel.

DESIGN FEATURES
ELUHAD Bowl Depth: 4-1/2" (114mm), 5" (127mm) or 5-1/2" (140mm).
Finish: Exposed surfaces are hand blended to a lustrous high-lighted satin finish with a highlighted inside top bowl radius. Underside: Underside of sink is fully protected by heavy duty Sound Guard™ clear coating to prevent condensation and deaden sound.

OTHER
Drain Opening: 3-1/2" (89mm) center rear location.
NOTE: All Elkay undermount sinks are designed to attach to the underside of any solid surface countertop.

SINK DIMENSIONS*

Model Number	Overall		Inside Each Bowl			Cutout in Countertop	Minimum Cabinet
	Length	Width	Length	Width	Depth		
ELUHAD3118	30 1/4 (767mm)	18 1/2 (467mm)	13 1/2 (343mm)	8 (203mm)	4 1/2 (114mm)	36 (914mm)	36 (914mm)
ELUHAD3120R	31 1/4 (794mm)	19 1/2 (493mm)	16 (406mm)	8 (203mm)	5 (127mm)	36 (914mm)	36 (914mm)
ELUHAD3216	31 1/4 (794mm)	16 (406mm)	14 (356mm)	8 (203mm)	5 (127mm)	36 (914mm)	36 (914mm)
ELUHAD3618	36 (914mm)	18 (457mm)	16 (406mm)	8 (203mm)	5 (127mm)	39 (991mm)	39 (991mm)
ELUHAD4218	41 1/4 (1051mm)	18 (457mm)	16 (406mm)	8 (203mm)	5 (127mm)	45 (1143mm)	45 (1143mm)
ELUHAD4618	45 1/4 (1149mm)	18 (457mm)	16 (406mm)	8 (203mm)	5 (127mm)	51 (1295mm)	51 (1295mm)

*Length is left to right. Width is front to back.
**Available in 4" (102mm), 5" (127mm) or 5 1/2" (140mm).

Elkay 2222 Camden Court Oak Brook, IL 60052

This specification describes an Elkay product with design, quality and functional benefits to the user. When making a comparison of other products' offerings, be certain these features are not overlooked.

Printed in U.S.A. ©2009 Elkay (Rev. 7/09) -303A lkayusa.com

MISC. DETAILS & SPECIFICATIONS

REVISED FOR CONSTRUCTION MAY 16, 2012

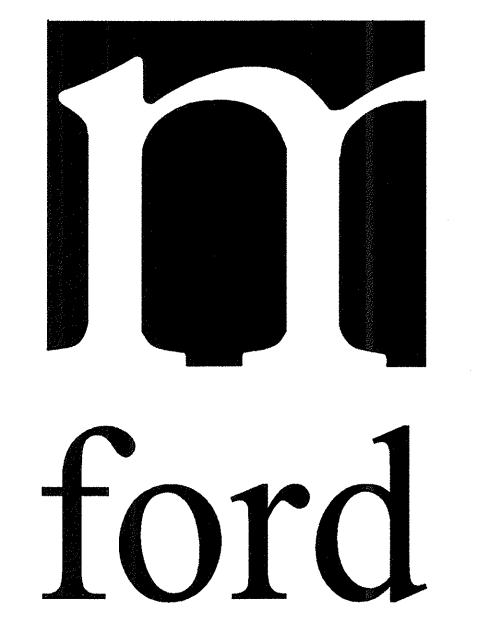
EMBREY PARTNERS, LTD

SAN ANTONIO, TX

KELLER SPRINGS CLUBHOUSE ADDISON, TX

ADDED FABRICATION DETAILS 5-16-12

© 2012 M. FORD & ASSOCIATES INC. THIS DOCUMENT IS PUBLISHED AS AN INSTRUMENT OF SERVICE AND IS GIVEN IN CONFIDENCE. IT REMAINS THE PROPERTY OF M. FORD & ASSOCIATES, INC. THIS DOCUMENT AND THE INFORMATION CONTAINED HEREIN MAY NOT BE REPRODUCED OR DISCLOSED WITHOUT WRITTEN CONSENT OF M. FORD & ASSOCIATES, INC. HOUSTON, TEXAS



m. ford & associates
interior design
99 deterring street
suite 165
houston, tx 77007
phone 713-630-0800
fax 713-630-0814
mford@mfordassociates.com
www.mfordassociates.com

Queen of the World

SHEET NO.

ID.4.2