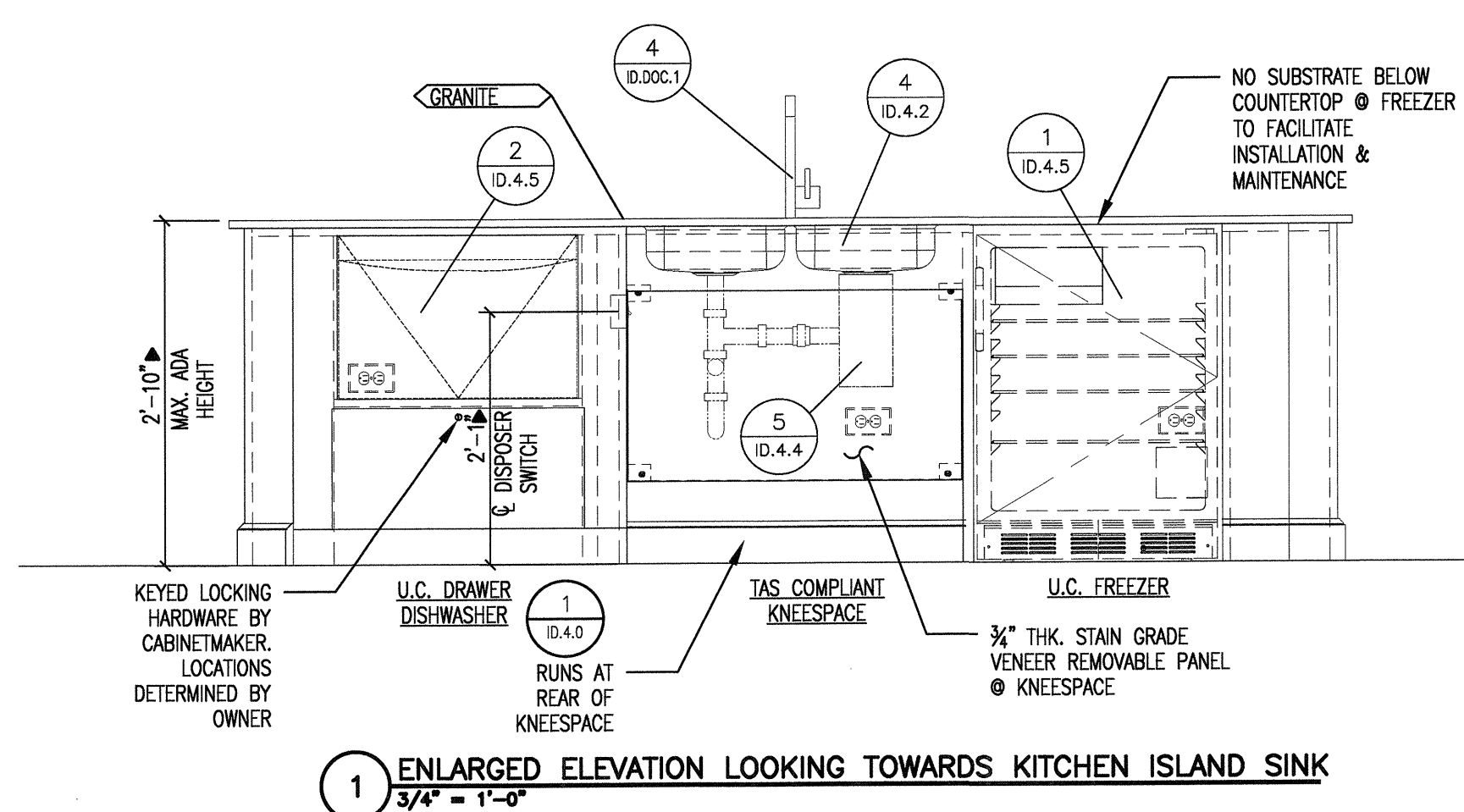


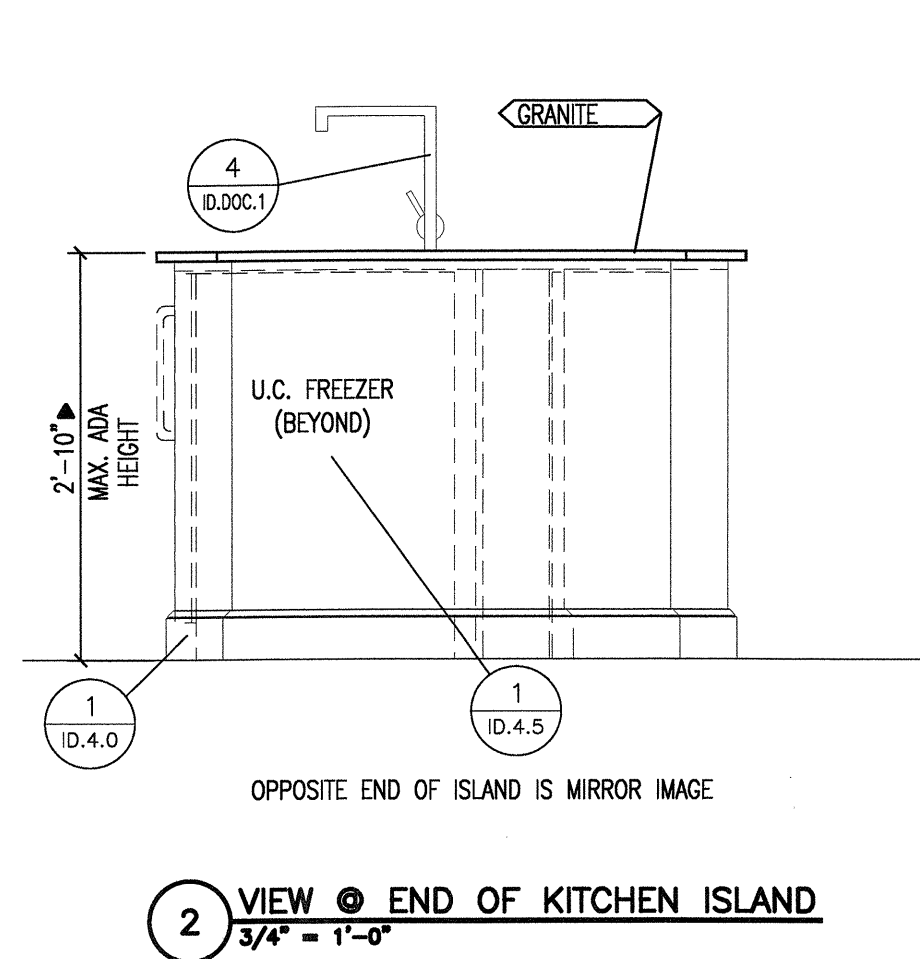
REVISED FOR CONSTRUCTION
MAY 16, 2012

KELLER SPRINGS CLUBHOUSE
ADDISON, TX

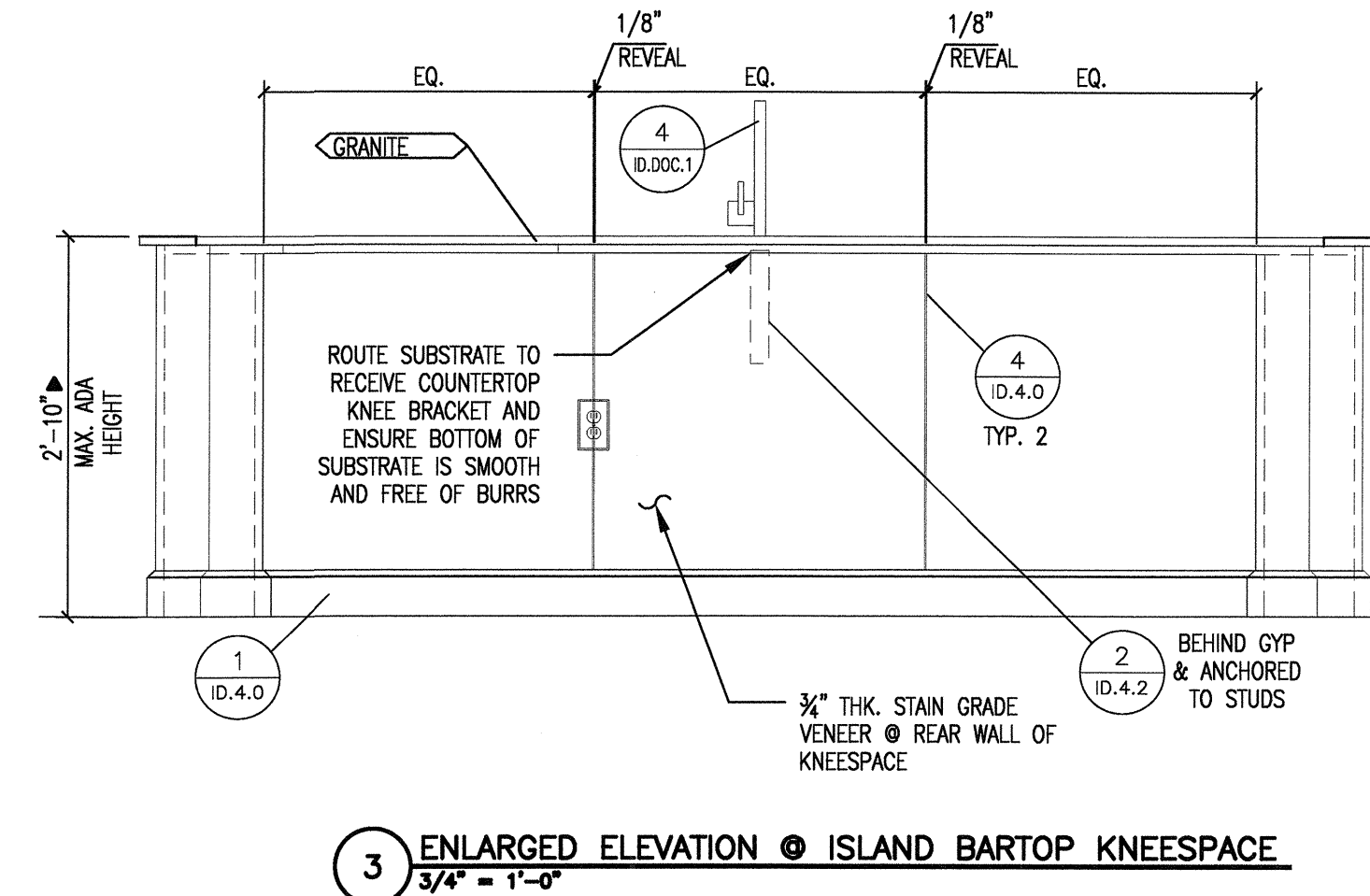
KITCHEN ISLAND & FITNESS TOWEL CABINETRY ELEVATIONS & SECTIONS



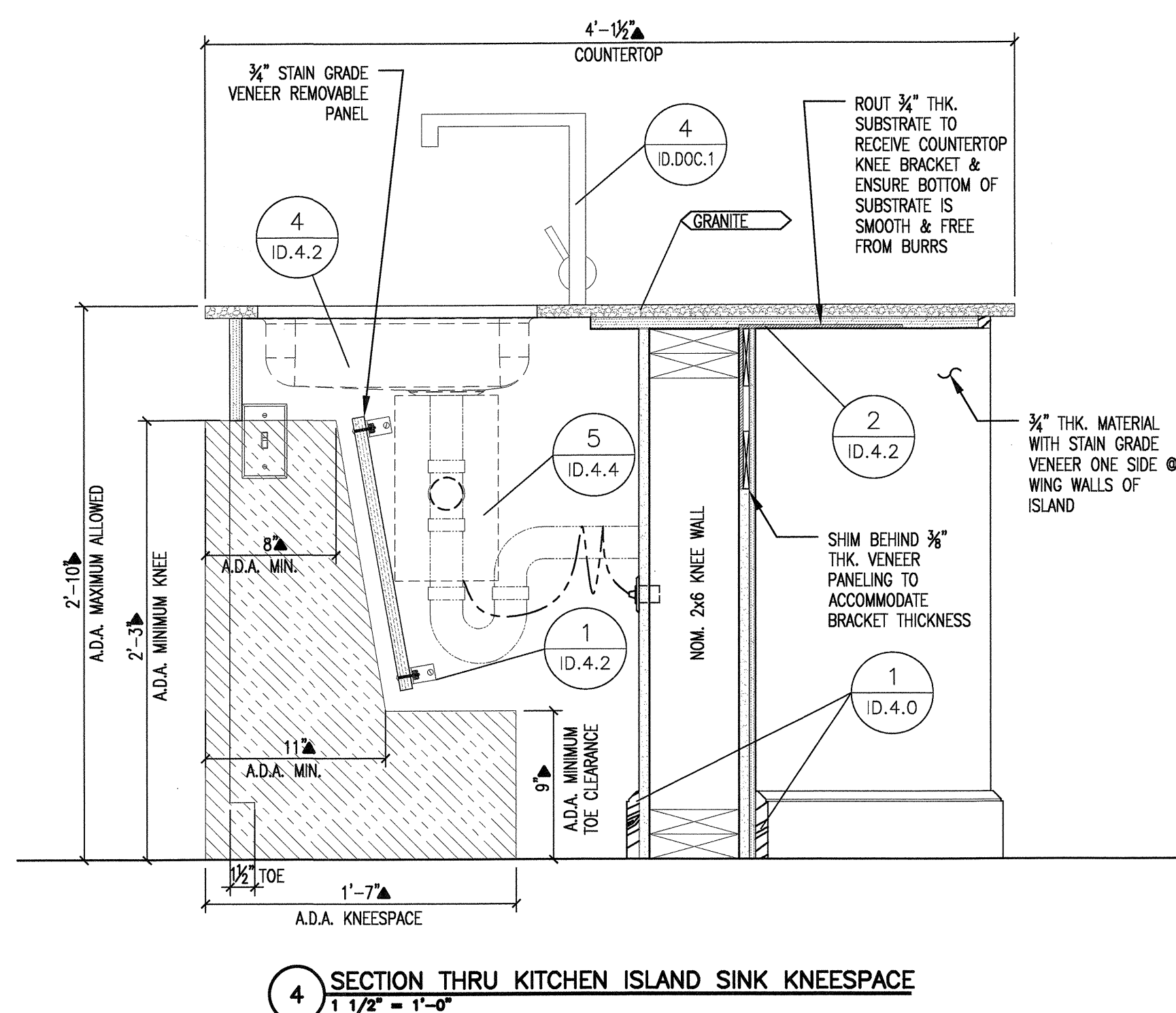
1 ENLARGED ELEVATION LOOKING TOWARDS KITCHEN ISLAND SINK
3/4" = 1'-0"



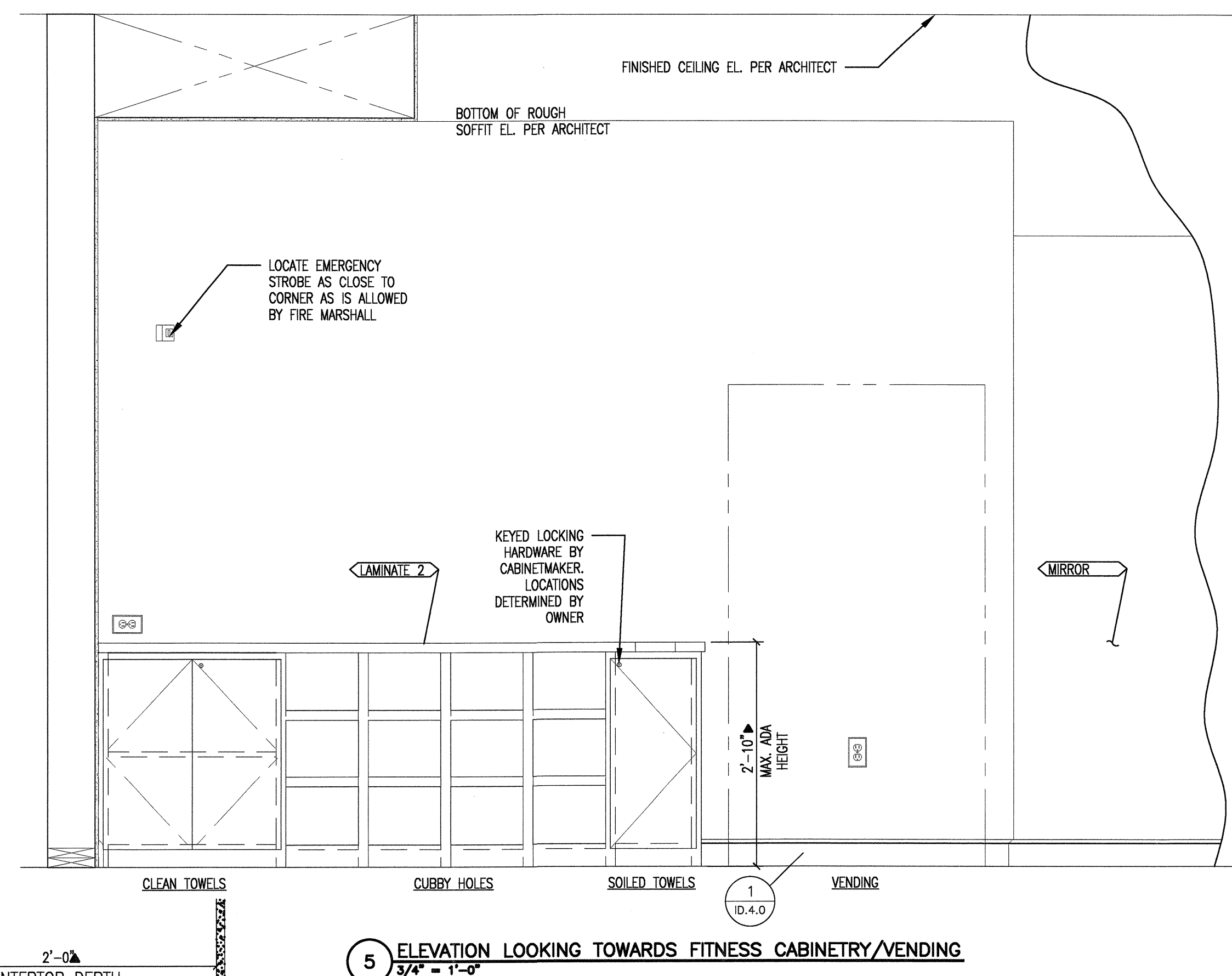
2 VIEW @ END OF KITCHEN ISLAND
3/4" = 1'-0"



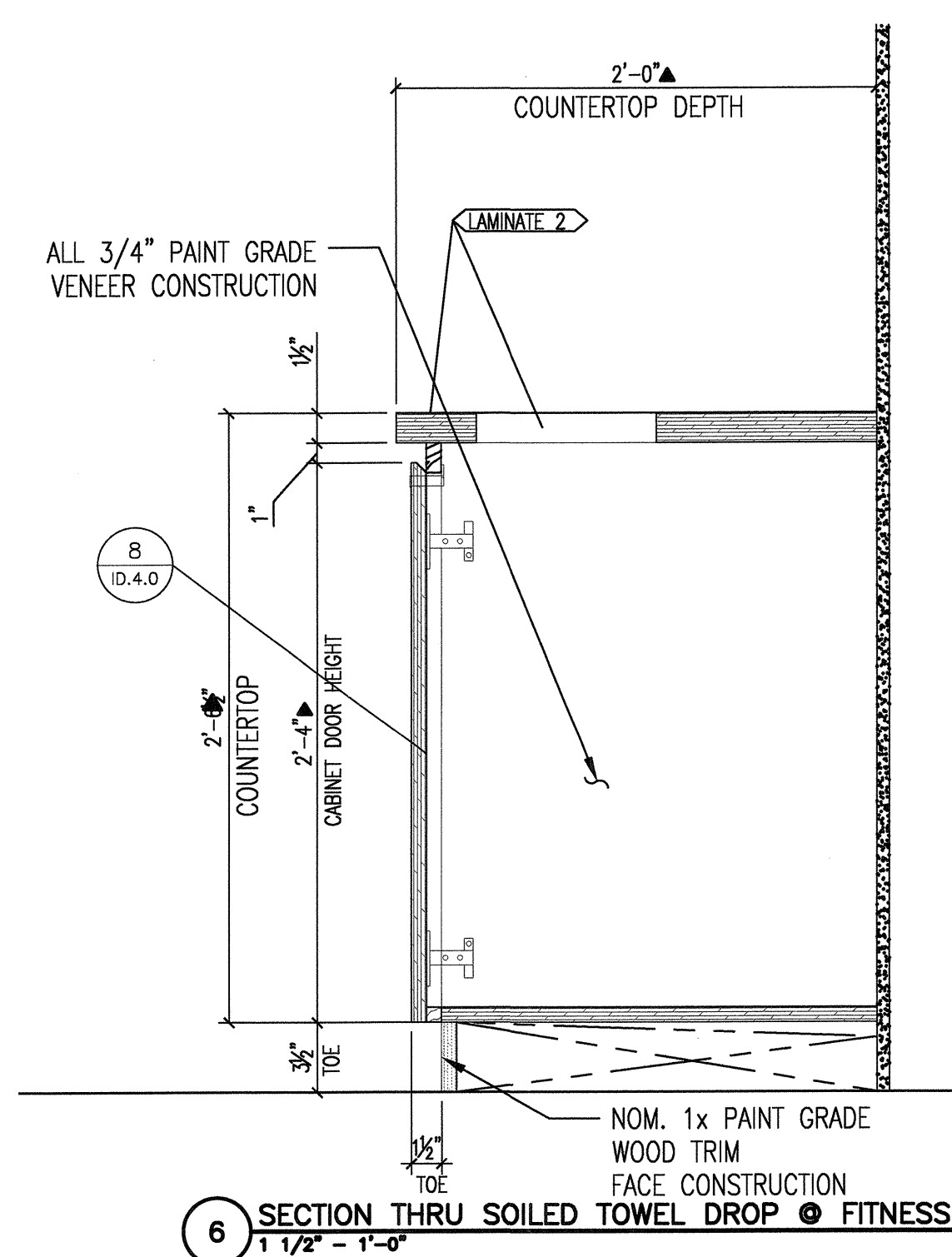
3 ENLARGED ELEVATION @ ISLAND BARTOP KNEESPACE
3/4" = 1'-0"



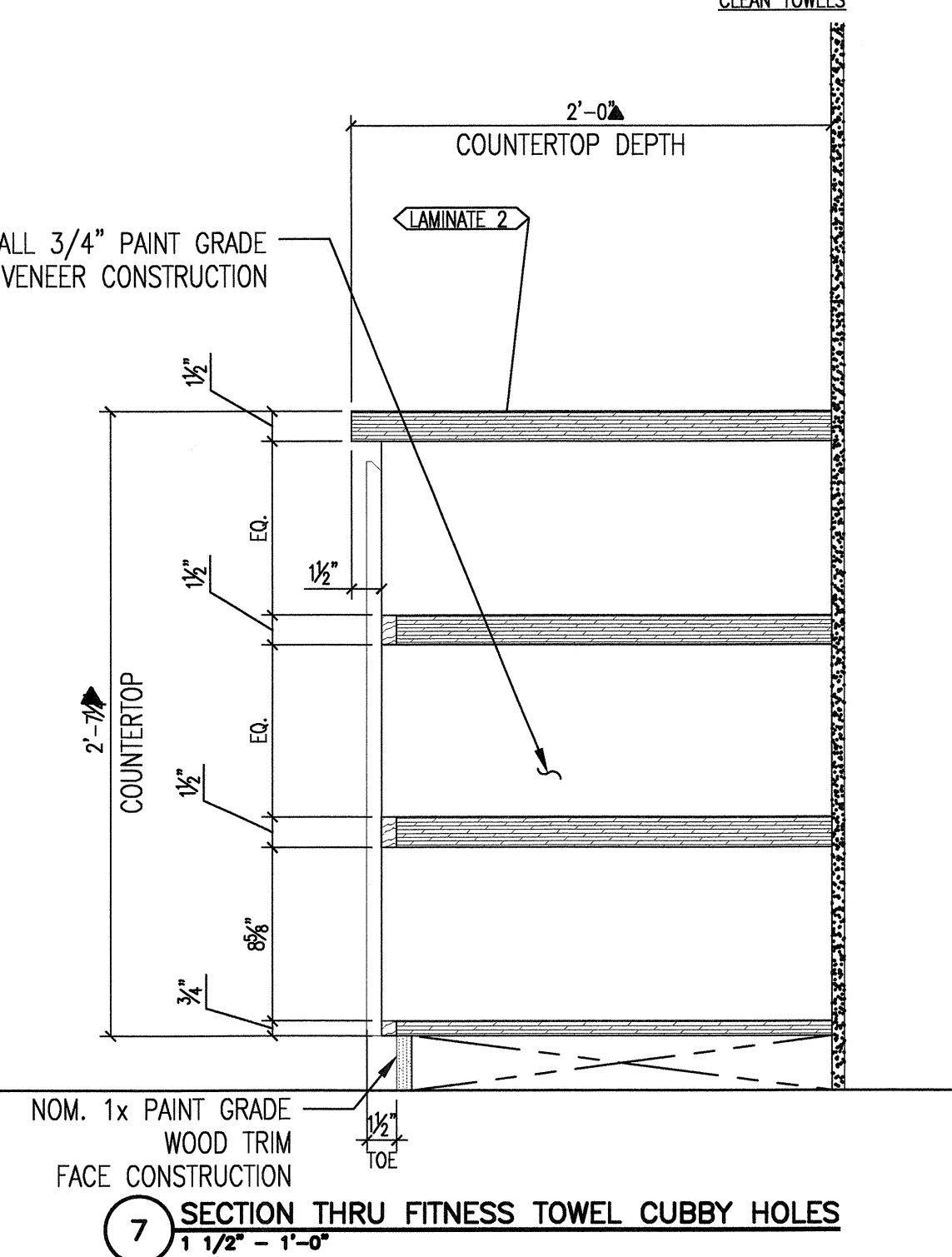
4 SECTION THRU KITCHEN ISLAND SINK KNEESPACE
1 1/2" = 1'-0"



5 ELEVATION LOOKING TOWARDS FITNESS CABINETRY/VENDING
3/4" = 1'-0"



6 SECTION THRU SOILED TOWEL DROP @ FITNESS
1 1/2" = 1'-0"



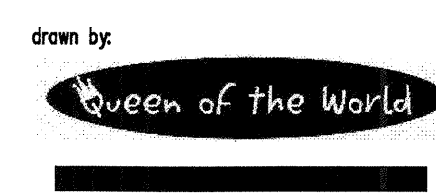
7 SECTION THRU FITNESS TOWEL CUBBY HOLES
1 1/2" = 1'-0"

ADDED FABRICATION DETAILS 5-16-12

© 2012 M. FORD & ASSOCIATES INC.
THIS DOCUMENT IS PUBLISHED AS AN INSTRUMENT OF SERVICE AND IS GIVEN IN CONFIDENCE. IT REMAINS THE PROPERTY OF M. FORD & ASSOCIATES, INC. THIS DOCUMENT, AND THE INFORMATION CONTAINED WITHIN MAY NOT BE REPRODUCED OR DISCLOSED WITHOUT WRITTEN CONSENT OF M. FORD & ASSOCIATES, INC. HOUSTON, TEXAS



m. ford & associates
interior design
99 detering street
suite 165
houston, tx 77007
phone 713-630-0800
fax 713-630-0814
mford@mfordassociates.com
www.mfordassociates.com



SHEET NO.

ID.6.3